

SKF Bearings and Seals

Heavy duty truck wheel end components

Includes applications, specifications and interchanges



2015

Catalog 457601

Supersedes 457601, Dated 2008

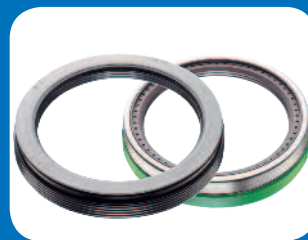


Table of contents

About	
How to use this catalog	2A
ATA-vehicle maintenance reporting standards	4A
Footnote & symbol information	5A
Product information	
<i>Wheel end solutions</i>	
An SKF Scotseal for every application	1B
Scotseal descriptions and fitting information	3B
Scotseal <i>PlusXL</i>	4B
Scotseal <i>Classic</i> and Scotseal <i>Longlife</i>	5B
Scotseal TF hubcaps and SKF Splashguard	6B
Tapered bearing sets	8B
Rebuild kits for PreSet	10B
Spindle nut locking system	12B
Two-piece wheel nut for hub piloted wheels	14B
Sleeve nut	15B
TFO wheel end solution overview	16B
Warranties under the TFO Program	17B
<i>Wheel end tools</i>	
The SRT-1 seal removal tool	18B
The HD1 universal bearing cup installer	18B
The TB-2 Scotseal toolboard	18B
Installation tools for Scotseal Classic & Scotseal Longlife	19B
Installation tool chart for Scotseal Classic & Scotseal Longlife	20B
<i>Installation</i>	
Installation procedures for Scotseal Classic & Scotseal Longlife	23B
Installation procedures for Scotseal PlusXL	24B
Scotseal family interchanges	25B
Scotseal family popular applications	26B
Beware of counterfeit seals	27B
Wheel bearing adjustment procedures	28B
Wheel bearing end play verification	29B
Hubcap installation procedure	30B
Hubcap interchange chart	31B
Applications	
<i>Heavy duty</i>	
Axle identification	1C
Index of manufacturers	4C
Axle numerical listing	6C
Trailer, tag & pusher axles	1
Front axles	29
Drive axles	77
<i>Medium duty trucks</i>	
Manufacturer to model index	187
Medium duty truck applications	188
Specifications	
<i>Seals and bearings</i>	
Scotseal <i>PlusXL</i>	207
Scotseal <i>Classic</i> and Scotseal <i>Longlife</i>	208
Bearings	210
Bearing spacers	214
Drive axle flange gaskets	215
<i>Hubcaps</i>	
Scotseal TF oil hubcaps	216
Grease (tamper-proof) hubcaps	217
Steel hubcap numerical list	218
Bolt circle reference	219
Gasket specifications numerical list	221
Gasket bolt circle reference	222
Interchanges	
How to use the competitor & manufacturer interchange	223
Index of abbreviated names	224
Competitor and manufacturer interchange	225

How to use this catalog

This catalog contains both a heavy duty section and a medium duty truck section.

Heavy Duty

This catalog contains Scotseal *Classic*, Scotseal *PlusXL*, Scotseal *Longlife*, bearing, grease seal and hubcap information for medium and heavy duty truck, trailer, bus and other axle applications. Also included is information on SKF rebuild kits and half stand bearing sets for PreSet® hub assemblies by ConMet®.

Axle numerical list

This quick reference guide lists all axle model and code numbers contained in this catalog. Listings are presented in left-to-right alphanumeric sequence similar to a dictionary. Simply locate the axle number, then read across to find the axle manufacturer, application location and the page number of the location.

Heavy duty truck application section

Each section of this catalog has been tabbed for easier reading and locating of necessary information. The shaded or darkest part of the tabs on the outer border of the page indicates the area represented. To use, refer to the table of contents and locate the section needed. Manufacturers are listed alphabetically within each section.

1. Identify the manufacturer of your equipment. Manufacturers are listed alphabetically by category (Trailer, Tag & Pusher Axles, Front Axles and Drive Axles). For vehicle manufacturers not listed, refer to the axle manufacturer.
2. Determine the model or code of your axle (refer to axle identification section). Models and codes are listed in alpha numeric sequence within each manufacturer.
3. After model or code has been located, read to the right for location of the SKF Scotseal *PlusXL*, Scotseal *Classic*, Scotseal *Longlife*, bearings & grease seals.

General information

Included for your convenience: axle identification, abbreviation listing, ATA-VMRS (American Trucking Association Vehicle Maintenance Reporting Standard) numbers, product features, installation instructions (Scotseal *Classic*, Scotseal *PlusXL*, Scotseal *Longlife*, bearing & hubcap) and axle identification chart.

Interchanges and specifications

These sections provide cross-references and specifications to assist you in finding the right part for your needs.

Competitor and manufacturer to Scotseal interchange - When a cross reference is required to determine the correct Scotseal number, use this section; more detailed instructions precede it.

Scotseal family quick reference interchange - Includes SKF Scotseal *Classic* to Scotseal *PlusXL* and Scotseal *Longlife* interchanges as well as corresponding competitor interchanges.

Size specifications - When bearing spacer, gasket, hubcap, SKF Scotseal *Classic*, Scotseal *PlusXL* or Scotseal *Longlife* information can only be determined by way of measurement, refer to the specification section for complete component dimensions.

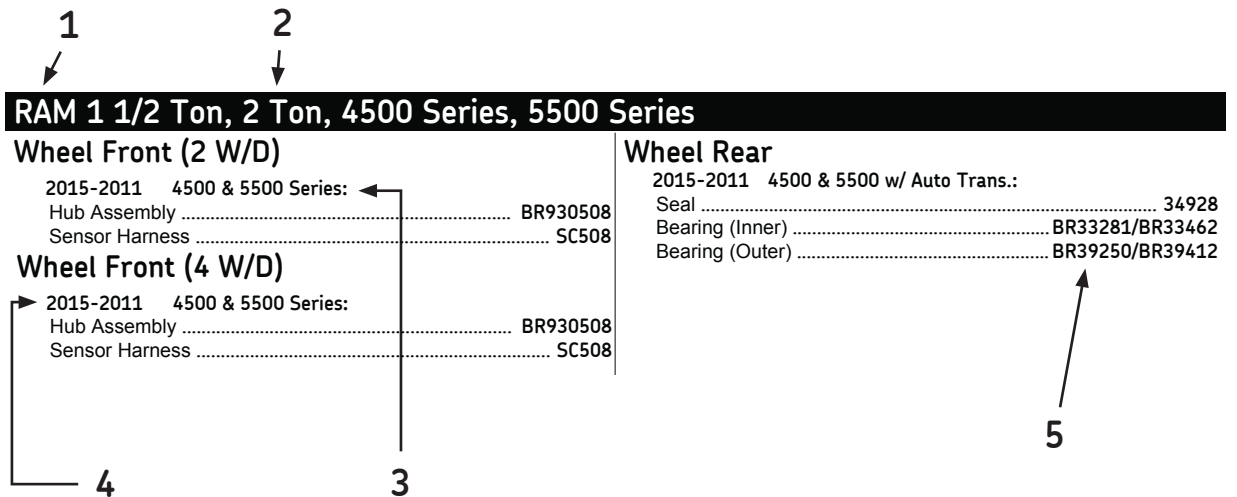
Hubcap interchange - Use this chart as a quick guide to the Scotseal TF hubcap line.

Tapered bearing sets - This is a quick guide to popular SKF factory-matched standard tapered bearing sets as well as half stand bearing sets for ConMet® PreSet® hub assemblies.

How to use this catalog

Medium Duty Truck

1. Locate Manufacturer.
 - Manufacturers are listed in alphabetical order (refer to "Manufacturers Index" for correct page number)
2. Locate Model.
 - Models are listed within each manufacturer's section
3. Locate your application information.
 - Application information is listed in columnar form for each vehicle, with pinion applications following wheel applications.
4. Locate year.
5. Once the application has been located, read to the right of the application to find the SKF stock number.



ATA-vehicle maintenance reporting standards

Listed below are American Trucking Association (ATA)—Vehicle Maintenance Reporting Standards versus SKF seal, bearing, hubcap, gasket and miscellaneous part descriptions. The ATA manufacturer code for SKF is SKFIN.

Front axle

18-001-001 Bearing assembly-inner
18-001-002 Bearing assembly-outer
18-001-004 Seal
18-001-012 Bearing-cone
18-001-013 Bearing spacer
18-001-014 Bearing spacer-O-ring
18-001-015 Ring (sleeve)
18-001-016 Bearing-cup
18-001-017 Bearing-cone, inner
18-001-018 Bearing-cup, inner
18-001-019 Bearing-cone, outer
18-001-020 Bearing-cup, outer
18-001-025 Seal set-front axle

Drive axle (rear)

18-002-005 Seal-inner
18-002-006 Seal-outer
18-002-008 Bearing-inner
18-002-009 Bearing-outer
18-002-011 Seal-axle shaft
18-002-013 Bearing-cone
18-002-014 Ring (sleeve)
18-002-016 Bearing-cup
18-002-017 Bearing-cone, inner
18-002-018 Bearing-cup, inner
18-002-019 Bearing-cone, outer
18-002-020 Bearing-cup, outer
18-002-028 Seal-kit

Wheel accessories

18-003-003 Hubcap
18-003-017 Hubcap-gasket
18-003-018 Hubcap-vent plug
18-003-019 Hubcap-fill plug

Trailer, tag & pusher axle

18-004-002 Bearing assembly-inner
18-004-003 Bearing assembly-outer
18-004-005 Bearing-cone, inner
18-004-006 Bearing-cup, inner
18-004-007 Bearing-cone, outer
18-004-008 Bearing-cup, outer
18-004-009 Bearing spacer
18-004-010 Bearing spacer-O-ring
18-004-011 Seal
18-004-022 Ring (sleeve)

Footnote & symbol information

Some long-running sections use footnotes and symbols throughout; they are collected here for convenient reference. Shorter sections have their footnote and symbol explanations printed near the bottom of each page.

Heavy duty wheel applications

- ▲ Tapered bearing set.
- ⁵ Use for worn hubs or oversize seal bore.
- * Remove spacer when replacing bearings. For bearing spacer specifications, see page 214.
- ◇ Use existing part number to depletion, then reorder new number listed below.

Medium duty truck applications

- ◇ Use existing part number to depletion, then reorder new number listed below.
- [] Indicates quantity required.

Manufacturer and competitor interchange

- None Scotseal *Classic*
- Scotseal *PlusXL*
- * DuPont Zytel[®] material hubcap
- ** Steel hubcap
- + Grease (tamper-proof) hubcap
- ^ GE Lexan[®] material hubcap

NOTES

An SKF Scotseal for every application

Just as the equipment needs of long haul commercial fleets vary from those of heavy duty construction and mining fleets, so does the matchup of the right seal for the driving environment. A "good" seal can fail prematurely if used in the wrong application. The fleet profiles below indicate the diversity of requirements for wheel end components.



Over-the-road fleets

Long haul and most over-the-road fleets are most likely to run power units with outboard brakes, with programmed maintenance intervals in the 150,000 to 200,000 mile range. They are also most likely to use synthetic lubricants.



Refuse hauling/sanitation fleets

Harsh operating conditions from road surfaces and the environment, and the need for very frequent start/stop driving, dictate high maintenance frequency.



Multiple use rental

These fleets tend to have strict maintenance practices to protect the value of their vehicle investment and to achieve an average 3-4 year trade-in cycle. A variety of vehicles also characterizes the multiple-use fleet.



Municipal bus fleets

Pot holes, curb bumps and the wear and tear of constant stop and start driving generate unusual demands for wheel end components. Consistent training of technicians is critical as new faces appear frequently.



Previously owned equipment

These tend to be smaller size fleets who are looking for economical maintenance and lower cost replacement parts. They are also likely to have less experienced and well-trained shop personnel and limited tool resources.



Mining and logging fleets

These fleets are typically characterized by low mileage/high maintenance driving conditions. Downhill braking under heavy loads and off-road dirt and grime cause excessive brake wear and subsequently frequent wheel end maintenance.



Trailer fleets

Fleets usually have more trailers in their fleets than tractors. Trailers have non-driven wheels and usually 50,000 to 60,000 annual mile ranges. Trailers are more frequently dressed with synthetic grease wheel ends. Trailer wheel end maintenance is significant with most trailers equipped with tandem axles.



School bus fleets

Many states and municipalities have specific maintenance laws for school buses which dictate frequency or mileage intervals regardless of fleet size. Generally, maintenance personnel have a high need for wheel end training.

An SKF Scotseal for every application

Scotseal *PlusXL*



The Scotseal *PlusXL* design with extended life capabilities is the SKF premium performance seal, offering maximum sealing life under virtually all driving conditions. The high-temperature, synthetic lubricant-friendly material of the Scotseal



PlusXL, Hydrogenated Nitrile Butadiene Rubber (HNBR), is an excellent choice for frequent braking applications. HNBR elastomeric material provides heat resistance up to 300° F and broad compatibility with today's synthetic lubrication fluids. The unsurpassed exclusion properties allow the Scotseal *PlusXL* to perform in very harsh conditions. The Scotseal *PlusXL* with the unique hand-installable design includes a fat footprint ensuring stability on the shaft. Worn hubs and spindles are not a problem for the Scotseal *PlusXL*.

Scotseal *Longlife*



Building upon the success of the original Scotseal design, SKF engineers had a great start in their development of an extended life seal. Computer aided design (CAD) of lip geometry and the addition of an axial dirt excluder lip was combined with a



formulated material to produce Scotseal *Longlife*—a premium performance seal with the characteristics required by today's most demanding heavy duty environments.

Scotseal *Classic*



The original Self Contained Oil Type Seal, Scotseal *Classic* became the trucking industry standard—and the best value for more than 30 years. With literally trillions of road miles to its credit, Scotseal *Classic* has proven to be a solid choice for dependable, long lasting



service. Time and time again, field studies show that when properly installed, using SKF tools and procedures, Scotseal *Classic* is a reliable performer for meeting the sealing requirements between brake maintenance intervals.

SKF Scotseal descriptions and fitting information

SKF Scotseal PlusXL is a rubber unitized, one piece design. The Scotseal *PlusXL* consists of four sealing lips: a spring-loaded primary sealing lip with patented Waveseal® design that is factory pre-lubed, a radial and axial dirt lip, plus an outer bumper lip that acts as a preliminary dirt excluder. Scotseal *PlusXL* requires no special installation tools and maintains a rubber-to-metal contact between the seal O.D. and the hub bore surface as well as a rubber-to-metal contact between the packing I.D. and spindle. (See Figure 1)

Scotseal PlusXL

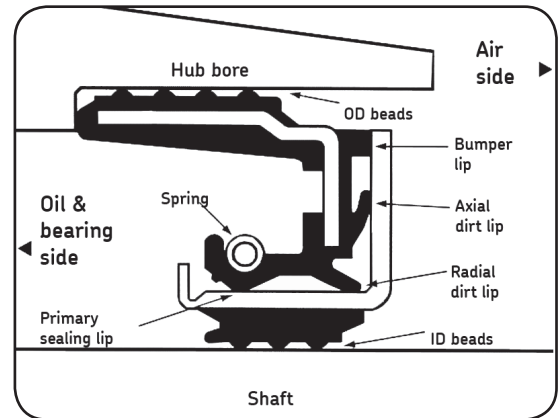


Figure 1

SKF Scotseal Longlife is a unitized, one piece design consisting of a sealing element (packing) that is assembled between a metal outer and inner case. The Scotseal *Longlife's* packing consists of four sealing lips: a spring-loaded primary sealing lip that is factory pre-lubed, a radial and axial dirt lip, plus an outer bumper lip that acts as a preliminary dirt excluder. The Scotseal *Longlife* is pressfit into the hub bore using Scotseal installation tools. The Scotseal *Longlife* maintains a metal-to-metal contact between the seal O.D. and the hub bore surface as well as a metal-to-metal contact between the packing I.D. and the spindle. (See Figure 2)

Scotseal Longlife

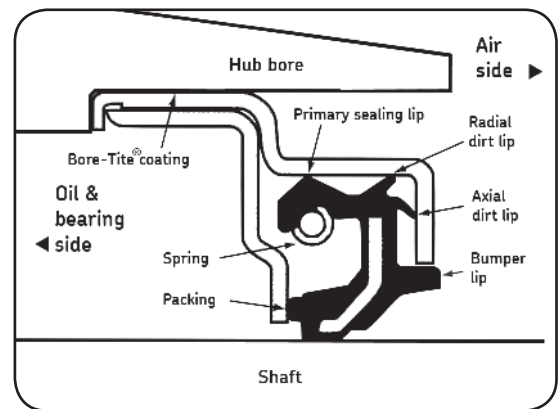


Figure 2

SKF Scotseal Classic is a unitized, one piece design consisting of a sealing element (packing) that is assembled between a metal outer and inner case. The packing consists of three sealing lips: a spring-loaded primary sealing lip that is factory pre-lubed, a dirt exclusion lip, and an outer bumper lip that acts as a preliminary dirt excluder. The seal is pressfit into the hub bore using Scotseal installation tools. The Scotseal *Classic* maintains a metal-to-metal contact between the seal O.D. and the hub bore surface as well as a metal-to-metal contact between the packing I.D. and the spindle. (See Figure 3)

Scotseal Classic

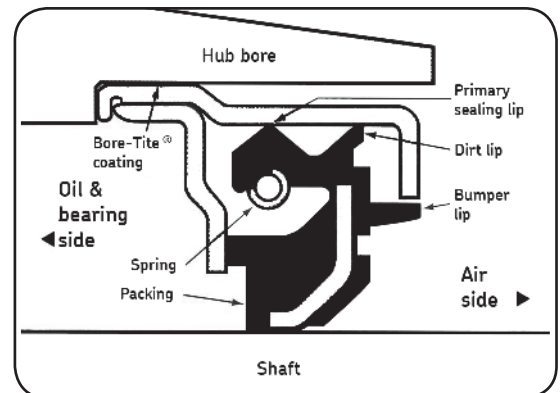


Figure 3

Scotseal PlusXL

Installs by hand... correctly... every time

The seal that ends installation problems once and for all.

The Scotseal PlusXL has it all—easy to install, designed to keep out the road contaminants and the oil at the bearings, high temperature capabilities and it is even synthetic fluid friendly.

Easy to install. Scotseal PlusXL requires two tools—your hands! Just slightly lubricate I.D. and O.D. of the new seal with lube being retained. (See Illustration A) The most common cause of premature seal failure is improper installation. Why?

- Tools are heavy and difficult to control. Their size and weight exert great force on the seal, even when properly aligned.
- Tools tend to get damaged over time.
- Tools tend to get lost and misplaced leaving you to improvise.
- Different tools for each seal for each manufacturer—certain recipe for mistakes.

A bulletproof seal design. The unitized design of Scotseal PlusXL means the seal lips and sealing surfaces are locked inside the body of the seal, protected from installation damage. And, because they're both carefully controlled during manufacturing, they match perfectly.

A fat footprint. The I.D. of the seal provides wider contact with the shaft than ordinary wheel seals. This added stability virtually eliminates misalignment or cocking during installation.

Designed to keep out road contamination and oil at the bearings. Every aspect of the Scotseal PlusXL design is directed at keeping out road contamination.

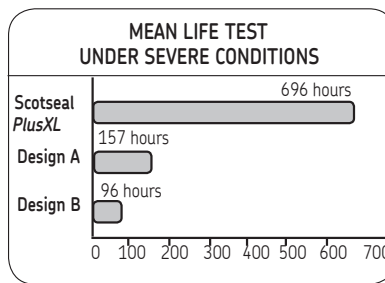
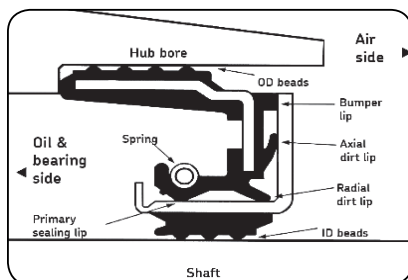
- Rubber O.D. and I.D. leaves no room for contamination to slip in.
- Four sealing lips all intended to keep out the dirt and road splash. The Scotseal PlusXL has been a featured product in the Scotseal family with its superior capabilities at protecting against all the environmental factors that kill seals and bearings.
- Added defense against road contamination are grease packs between sealing lips.
- Patented Waveseal® design sweeps the oil back to the bearings. Its unique sinusoidal shape runs cooler and lasts longer than conventional straight lip designs.

The dust storm test. To examine how the seal will hold up under extreme conditions, seals were tested in an aggressive mud and water solution, much more severe than any road conditions.

(Illustration A)



Scotseal PlusXL



High temperature tolerance leads to extended life. Scientific development of an advanced formula material has propelled the Scotseal PlusXL life expectancy to a new realm. Once dirt is kept out the seal life is simply a matter of time and temperature. This material can handle temperatures well beyond the peak wheel end temperatures. Wheel end temperatures can spike at 275°F at start up. The Scotseal PlusXL material can resist temperatures over 300°F. High braking vehicles will love the extended life of the Scotseal PlusXL. Garbage trucks, busses and intercity fleets can enjoy longer life than ever before. The material allows the Scotseal PlusXL to endure the high wheel temperatures caused in heavy braking.

Synthetic fluids friendly. The advanced formula material was designed specifically for the popular synthetic fluids. The synthetic fluids offer a promise of longer life to vehicle components but can attack over time a seal's rubber material. Not so for the Scotseal PlusXL; the material has been immersed in many varieties of today's fluids and was unaffected.

To get your hands on an SKF Scotseal PlusXL simply contact your distributor or SKF sales representative.

Scotseal *Classic* and Scotseal *Longlife*

The stationary seal. The sealing element of the Scotseal *Classic* remains stationary with the axle. Since there's no centrifugal force to fight, the seal can be made as a single piece. No wear ring required.

One-piece design helps eliminate failure. Scotseal *Classic* is a unitized, one piece design consisting of a sealing element (packing) that is assembled between a metal outer and inner case. The packing consists of three sealing lips: a springloaded primary sealing lip that is factory pre-lubed, a dirt exclusion lip, and an outer bumper lip that acts as a preliminary dirt excluder. The seal is pressfit into the hub bore using Scotseal Installation Tools. The Scotseal *Classic* maintains a metal-to-metal contact between the seal O.D. and the hub bore surface as well as a metal-to-metal contact between the packing I.D. and the spindle.

Three lip sealing element. The Scotseal *Classic* design uses a specially formulated nitrile rubber compound molded into three sealing lips. One seals oil in, the other two seal dirt out. The unique material and configuration were designed to meet the extreme demands placed on today's truck wheels: over-the-road wheels that go long distances at highway speeds without stopping, refuse wheels that stop every 30 feet, wheels that go in and out of potholes and wheels that run down dusty gravel roads.

Protection above and below the line of duty. To prevent leakage between the seal and the wheel bore, the Scotseal *Classic* is coated with Bore-Tite® which provides a better seal than a simple metal-to-metal press fit.

A revolutionary evolution.. Building upon the successful one-piece, multi-lip design of the original Scotseal was a great start toward the development of

a new extended life seal. Extensive laboratory and road testing was employed to confirm the evolutionary improvements of the new Scotseal *Longlife* seal. Computer Aided Design (CAD) of lip geometry and the addition of an axial dirt excluder lip were combined with a newly formulated material to give Scotseal *Longlife* the performance characteristics required by today's most demanding heavy duty environments.

Heat, synthetics and contaminants. The environmental factors of high wheel end temperatures, harsh or incompatible lubricants, and the ever present attack of roadway contaminants are the major villains that shorten wheel end seal life. Scotseal *Longlife* seals bring the resistance to these factors to new heights.

No trade-off with synthetics. The development of synthetic lubricants has been a breakthrough for the trucking industry with the promise of longer service life for wheel end components. But this step forward hasn't come without some trade-offs.

The harsh chemical additives in synthetic lubes can degrade seal materials and cause premature seal and, subsequently, bearing failure. With Scotseal *Longlife* there are no trade-offs—the specially formulated polymer used in Scotseal *Longlife* seals is compatible with all known synthetic lubricants currently on the market.

Installation by ear. The unitized design of the Scotseal *Classic* and Scotseal *Longlife* makes installation a simple, three-step procedure:

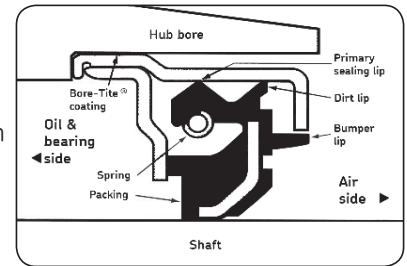
One: The Scotseal is fitted onto the installation tool.

Two: The centering plug is pressed into the inner bearing cone for precise alignment.

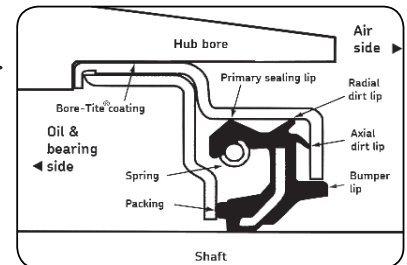
Three: The seal is hammered home.

The sound of the seal as it bottoms

Scotseal *Classic*



Scotseal *Longlife*



out in the hub is the installer's way of knowing that it's properly seated. (Refer to complete installation instructions prior to service.)

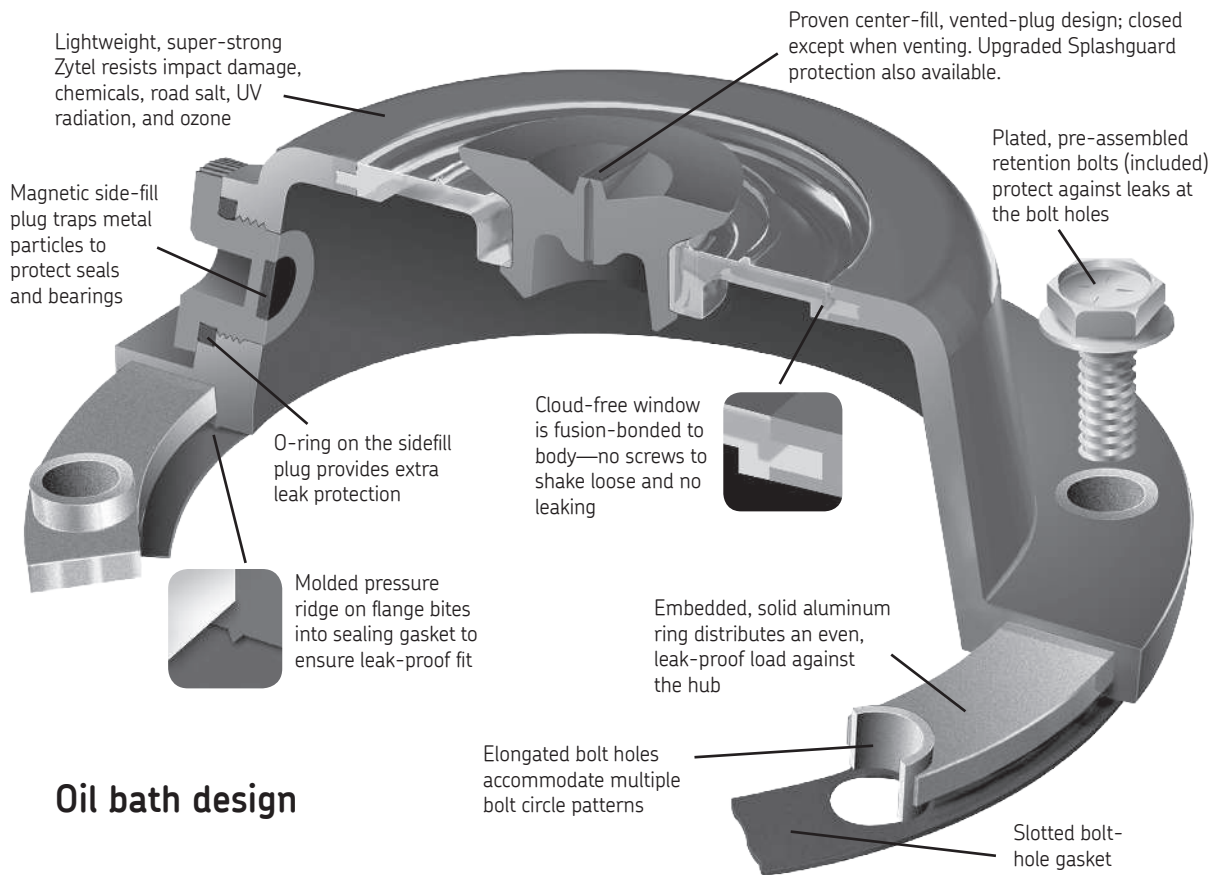
The Scotseal Family

Scotseal *Classic* is the matriarch of a very distinguished family. Scotseal *Longlife*, based on the proven *Classic*, is designed to go to even longer intervals between service. The Scotseal *PlusXL* provides the same advantages as our *LongLife* design plus offers easy, hand installation. The patented line of lightweight and durable Scotseal TF and TP hubcaps (as well as strong stamped steel hubcaps) complete the family.



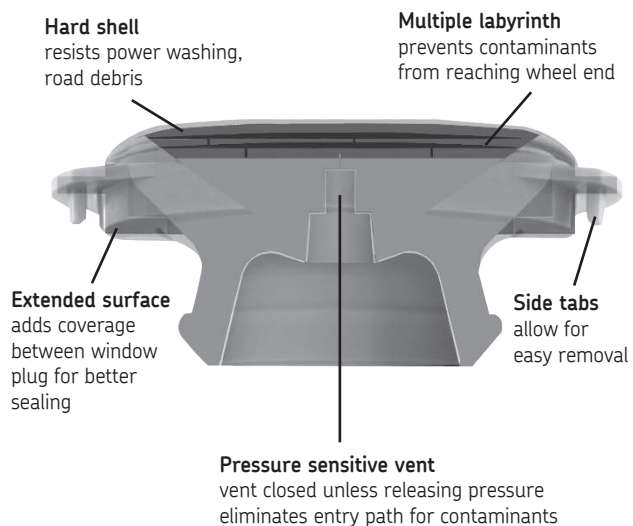
Scotseal TF hubcaps

Lighter than steel. Tougher than aluminum.



SKF Splashguard

Upgraded vent system and protection



Splashguard center plugs are available in green and black 4 packs	Standard center plug	Splashguard center plug
Green	450434-4	450439-4
Black	453807-4	450438-4
Display (6 sets each)		454210
Display (12 sets green)		454215
Display (12 sets black)		454216

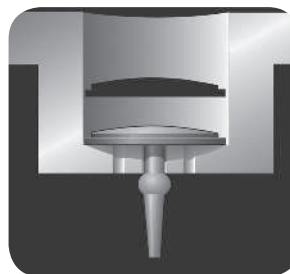
Scotseal TF Hubcaps

Tamper-Proof Scotseal TF for grease-packed applications



Designed for today's grease-packed systems, the Tamper-Proof Scotseal TF Hubcap features a patented "umbrella" style valve that seals contamination

out, yet vents internal pressure as low as 2 P.S.I. The addition of a splash plate to the hubcap design helps protect against the harsh conditions created by road spray, power washers and flooded docks.



"Umbrella" valve vents pressure even when covered with 1/4 inch grease; splash plate provides extra protection against power washers.

Other popular SKF hubcap designs

SKF Scotseal TF hubcaps equipped for P.S.I.

- Dual side fill plugs offer convenience that others do not
- P.S.I. insert molded into the window and the window molded into the body protects against leaks. Alternate designs on the market incorporate an O-ring at the insert and screws to hold the window in place leaving the potential for leakage.



SKF Scotseal Stamped Steel

Zinc-plated and protected with weather-resistant armor to resist rust and rough wear. Available in 3- to 8-bolt designs.

SKF Scotseal Lexan®

Lightweight, molded design using GE's Lexan handles harsh conditions; sealed models offered for grease-packed systems. Available for oil and grease pro-par applications.



SKF tapered bearing sets



Increase your fleet uptime and eliminate premature wheel end component failures by installing precision engineered SKF tapered bearing sets.

- SKF tapered bearing sets are engineered and manufactured to the highest quality standards. Their design and superior materials provide a significant increase in operational reliability under heavy loads and misaligned conditions.
- Precision engineering enables SKF tapered bearings to be easily adjusted on clearance or fit between the cup and cone assembly.
- SKF tapered bearing sets greatly reduce friction and increase load carrying capabilities. Each set contains a precision matched cup and cone that are specifically designed to maximize bearing performance and life. SKF bearing sets:
 - Help the installer do the job right
 - Ensure longer bearing life
 - Help prevent premature failure
 - Increase truck and trailer uptime
 - Available for all popular applications
- Easy to use part numbering system.
- SKF half stand tapered bearing sets for PreSet[®] hub assemblies are precision manufactured with very tight dimensional tolerances specified and approved by ConMet[®] for the very popular PreSet hub assemblies.
- SKF global manufacturing capabilities provide world class quality and premium performance.
- SKF offers a full range of products for the Heavy Duty aftermarket, including the very popular wheel seals Scotseal *Classic*, Scotseal *PlusXL* and Scotseal *Longlife*. Simply contact your distributor or sales representative for further information.

ConMet and PreSet are registered trademarks of Consolidated Metco Inc.

Tapered bearing sets

Standard bearing sets

Tapered Bearing Sets				Competitive interchange (for standard sets)	
SKF Standard set no.	General bearing application	Standard components		BCA Set no.	Timken Set no.
		Cone no.	Cup no.		
SET401*	R Drive Axle (outer)	BR580*	BR572*	HD206	SET401
SET402	R Drive Axle (outer)-Mack	BR582	BR572	HD211	SET402
SET403*	R Drive Axle (inner)	594-A VP*	592-A VP*	HD203	SET403
SET404	R Drive Axle (inner)-Mack	598-A VP	592-A VP	HD204	SET404
SET405	Trailer Axle (inner) & Rear Drive Axle/Trailer Axle (outer)	BR663	BR653	HD207	SET405
SET406*	FF Steer Axle (outer)	BR3782*	BR3720*	HD205	SET406
SET407	Rear Axle (inner) & Front Steer Axle (outer)	BR28682	BR28622	HD213	SET407
SET408	L Drive Axle (outer)	BR39590	BR39520	HD210	SET408
SET409	Front Steer Axle (outer)-Mack	BR45280	BR45220	HD219	SET409
SET410	Front Steer Axle (inner)	BR45284	BR45220	N/A	SET410
SET411	L Drive Axle (inner)	BR47686	BR47620	HD209	SET411
SET412	FF Steer Axle (inner) & N Trailer Axle (outer)	HM212047	HM212011	HD202	SET412
SET413*	FF Steer Axle (inner) & N Trailer Axle (outer)	HM212049*	HM212011*	HD200	SET413
SET414*	N Trailer Axle (inner)	HM218248*	HM218210*	HD201	SET414
SET415*	P Trailer Axle (inner & outer)	HM518445*	HM518410*	HD208	SET415
SET416	Trailer Axle	BR45291	BR45220	N/A	SET416
SET417	Trailer Axle	BR47890	BR47820	N/A	SET417
SET418	Front Steer Axle (inner)	H715334	H715311	N/A	SET418
SET419	Front Steer Axle (inner)	H715343	H715311	N/A	SET419
SET420	Front Steer Axle (inner)	H715345	H715311	N/A	SET420
SET421	Rear Axle (inner)-Mack	HM516449-A	HM516410	HD214	SET421
SET422	Rear Axle (inner)-Mack	HM516449-C	HM516410	HD212	SET422
SET423	FL Steer Axle (inner)	6461-A VP	BR6420	HD218	SET423
SET424	FL Steer Axle (outer)	555-S VP	552-A VP	HD217	SET424
SET425	Front Steer Axle/Trailer Axle (inner) & Rear Axle (outer)-Mack	BR567	BR563	HD216	SET425
SET426	Rear Axle (outer)-Mack	BR47679	BR47620	HD215	SET426
SET433	HD Tapered Set	BR594	592-A VP	N/A	N/A
SET439	FF Steer Axle (inner)-Volvo	HM212049-X	HM212011	N/A	SET439
SET499	HD Tapered Set	BR687	BR672	N/A	N/A

* See page 11B for half stand PreSet and LMS interchange

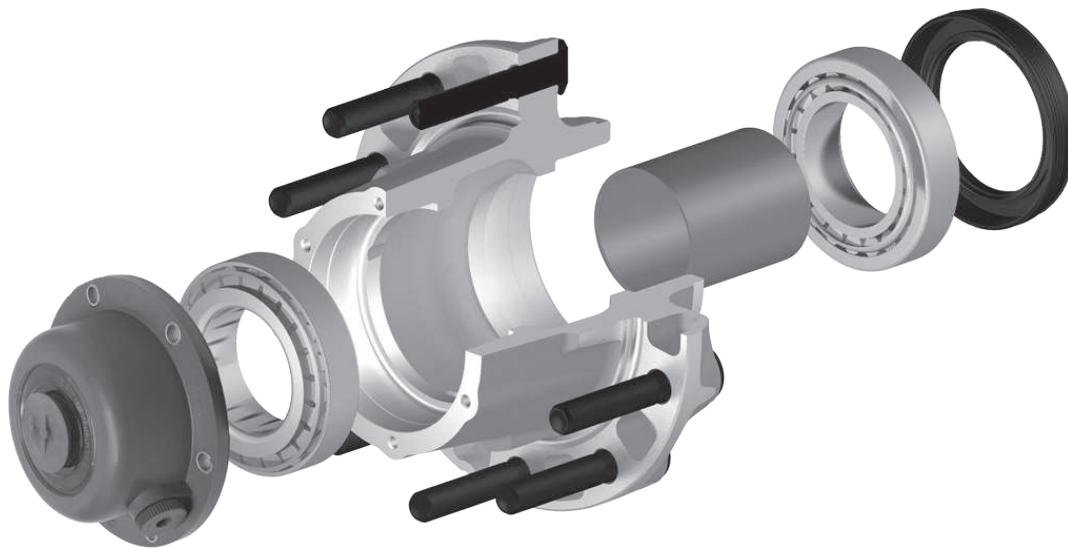
SKF Rebuild kits for PreSet®

PreSet reliability and SKF quality in one convenient box

SKF addressed a big void in the commercial vehicle market by being the first to introduce an all inclusive Rebuild kit for PreSet hub assemblies. SKF's rebuild kit contains everything needed for successfully maintaining the wheel end and returning the truck/trailer to service. It includes the SKF Scotseal PlusXL, one of the most advanced wheel seals in the industry. It also includes tighter toleranced bearing sets, an SKF TF hubcap (if applicable), and a precision machined PreSet bearing spacer.



With parts that meet the exact specifications of the original PreSet system components, the SKF rebuild kit helps ensure longer service life and less downtime. Plus, a simplified installation procedure saves time.



Featuring precision machined PreSet spacer

- Proprietary machined bearing spacer along with the SKF specifically toleranced bearings provides the most reliable bearing end-play setting, optimizing wheel end life
- Eliminates need for manual end-play adjustment



PreSet is a registered trademark of Consolidated Metco, Inc.

Half stand bearing sets for PreSet® and LMS hub assemblies

Rebuild kit part number	Position	Scotseal Plus XL	Inner half stand bearing	Outer half stand bearing	Hubcap	Spacer
FFSK1	FF steer axle	35058	SET427	SET428	1612	103592
RDSK1	R drive axle long and short haul	47691	SET429	SET430	N/A	103593
TNSK1	TN trailer axle, oilbath	46300	SET431	SET427	1643	104144
TNSK2	TN trailer axle, grease	46300	SET431	SET427	1343	104144
TPSK1	TP trailer axle, oilbath	42627	SET432	SET432	1696	104412
TPSK2	TP trailer axle, grease	42627	SET432	SET432	1399	104412

SKF Set no.	Cone	Cup	ConMet set no.	Timken PreSet set no.	Timken Cone	Timken Cup
SET427	RBT10433	LBT10433	107501	SET427	NP899357	NP026773
SET428	RBT10429	LBT10429	107500	SET428	NP874005	NP435398
SET429	RBT10434	LBT10434	107503	SET429	NP034946	NP363298
SET430	RBT10431	LBT10431	107502	SET430	NP840302	NP053874
SET431	RBT10430	LBT10430	107504	SET431	NP965350	NP503727
SET432	RBT10426	LBT10426	107506	SET432	NP174964	NP593561

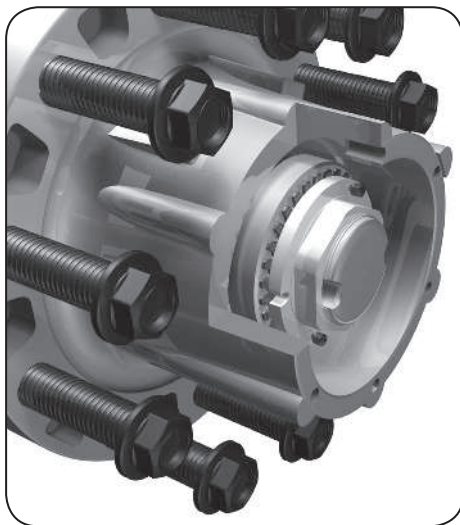
SKF Set no.	Cone	Cup	ConMet set no.	Timken LMS set no.	Timken Cone	Timken Cup
SET427	RBT10433	LBT10433	107501	SET433	NP431952	NP378092
SET428	RBT10429	LBT10429	107500	SET434	NP555065	NP720703
SET429	RBT10434	LBT10434	107503	SET435	NP588900	NP107783
SET430	RBT10431	LBT10431	107502	SET436	NP577914	NP975161
SET431	RBT10430	LBT10430	107504	SET437	NP022333	NP250023
SET432	RBT10426	LBT10426	107506	SET436	NP417549	NP156827

Note: LBT & RBT series bearings are not sold separately. NP series bearings are for reference only.

SKF Spindle nut locking system



The SKF spindle nut locking system offers a new, robust and affordable lock nut system for tractors and trailers alike. Forged, precision machined and assembled with two high-strength lock bolts, the SKF spindle nut locking system yields one of the strongest systems available today. Coupled with the precision stamped lock washer, this system provides the user with end-play adjustability that exceeds the stringent demand of today's field environment and maintenance requirements.

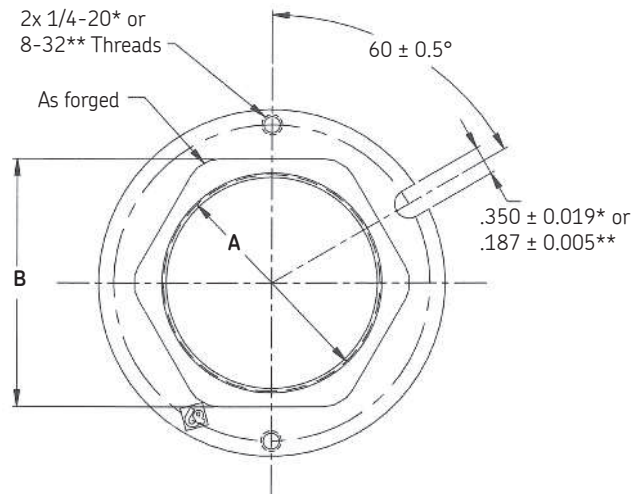


This system is intuitively easy to install and service, and requires no special tools. The SKF spindle locking nut is now available in steering, drive and trailer sizes.

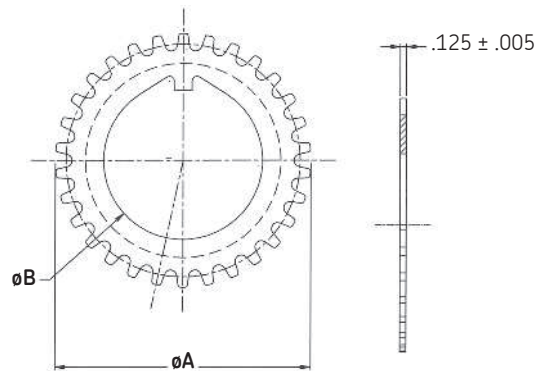
Application	Thread size (inches)	SKF part no.	Hex socket (6 point)
Steer axle	1.500-12	SN150CWFF	2.00 inch
Steer axle	1.500-18	SN150FWFE	2.00 inch
Drive axle	2.625-12	SN262GWDA	3.00 inch
Trailer axle	2.625-16	SN262KWTDN	3.00 inch
Drive / Trailer axle	3.250-12	SN325GWDT	3.75 inch
Trailer axle	3.480-12	SN348GWTP	4.125 inch
Trailer axle	3.500-12	SN350GWTA	4.125 inch

Also available in bulk sizes

SKF Spindle nut locking system

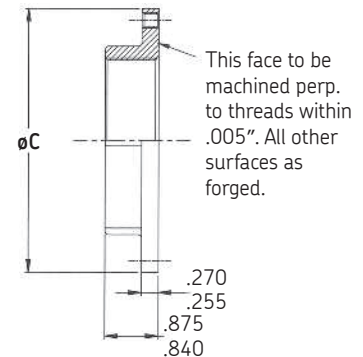


* 262, 325, 348 & 350 size nuts
** 150 size nuts



Spindle nut

Part no.	THRD size A (inches)	B +0 -0.045	øC±0.035
SN150CWFF	1.500-12	2.000	3.375
SN150FWFE	1.500-18	2.000	3.375
SN262GWDA	2.625-12	3.000	4.200
SN262KWTN	2.625-16	3.000	4.200
SN325GWDT	3.250-12	3.750	5.250
SN348GWTP	3.480-12	4.125	5.500
SN350GWTA	3.500-12	4.125	5.500



Hardened washer

Part no.	Nut size	øA±0.015	øB +0.015 -0
150CWBW	1.500-18	3.374	1.518
262KWBW	2.625-16	4.200	2.643
325GWBW	3.250-12	5.250	3.268
350GWBW	3.480-12	5.500	3.518

Part number	Application	Thread size (inches)	Outer tapered bearing	Hex Socket (6 point) (inches)	Hardened washer (not sold separately)	Notes	Stemco Interchange
SN150CWFF	Steer Axle-Meritor/Navistar	1.50-12	Set406	2.00	150CWBW	Bag of 1	448-4836
SN150CWFFG-45	Steer Axle-Meritor/Navistar	1.50-12	Set406	2.00	150CWBW	Carton of 45 pcs.	448-4836
SN150FWFE	Steer Axle-Meritor/Eaton/Ford	1.50-18	Set406	2.00	150CWBW	Bag of 1	448-4837
SN150FWFEG-45	Steer Axle-Meritor/Eaton/Ford	1.50-18	Set406	2.00	150CWBW	Carton of 45 pcs.	448-4837
SN262GWDA	Drive Axle-Meritor/Eaton/Ford/Navistar	2.625-12	BR3984/BR3920, Set408	3.00	262KWBW	Bag of 1	449-4974
SN262GWDA-25	Drive Axle-Meritor/Eaton/Ford/Navistar	2.625-12	BR3984/BR3920, Set408	3.00	262KWBW	Carton of 25 pcs.	449-4974
SN262KWTN	Trailer Axle-Meritor/Dana/Eaton	2.625-16	Set413	3.00	262KWBW	Bag of 1	447-4743
SN262KWTNG-25	Trailer Axle-Meritor/Dana/Eaton	2.625-16	Set413	3.00	262KWBW	Carton of 25 pcs.	447-4743
SN325GWDT	Drive Axle-Meritor/Dana/Eaton/Mack/Navistar ¹⁾	3.25-12	Set401	3.75	325GWBW	Bag of 1	449-4973
SN325GWDTG-20	Drive Axle-Meritor/Dana/Eaton/Mack/Navistar ¹⁾	3.25-12	Set401	3.75	325GWBW	Carton of 20 pcs.	449-4973
SN348GWTP	Trailer Axle-Meritor/Dana/Freuhof/Hendrickson	3.48-12	Set415	4.125	350GWBW	Bag of 1	447-4723
SN348GWTPG-20	Trailer Axle-Meritor/Dana/Freuhof/Hendrickson	3.48-12	Set415	4.125	350GWBW	Carton of 20 pcs.	447-4723
SN350GWTA	Trailer Axle-Eaton	3.50-12	Set415	4.125	350GWBW	Bag of 1	447-4724
SN350GWTAG-20	Trailer Axle-Eaton	3.50-12	Set415	4.125	350GWBW	Carton of 20 pcs.	447-4724

¹⁾ Also fits trailer axles for Meritor TR and Dana EST230-P & P22TQ (Axles before 1/1/2006 & uses outer bearing SET415)

SKF Two-piece wheel nut for hub piloted wheels

Turn to a proven supplier for safety-critical wheel end components

Benefits of the SKF two-piece wheel nut include:

- Reduced potential for catastrophic failure – loosened wheel nuts can result in wheel-off conditions, as well as reduce the operating life of the wheel end’s seals and bearings.
- Reduced operating costs – wheel nuts effect overall tire life and wheel end life, ultimately reducing fuel usage and costs.
- Quality design and manufacturing – manufactured to precise tolerances and meets the stringent requirements of SAE J1965.
- Provides increased clamp force while maintaining optimum torque/tension.
- Extended nut life – PTFE coating protects against corrosion and reduces friction.
- OE first fit wheel nut on many new production units.



SKF Part number	Size	Outside diameter	Order by no. of pcs. in container	Metform Securex part number
MV33333-10	M22 X 1.5 (high profile)	33mm hex	10 ct. box	39702
MV33333G-100	M22 X 1.5 (high profile)	33mm hex	100 ct. box	39702
MV33333B-300	M22 X 1.5 (high profile)	33mm hex	300 ct. bucket	39702
MV22273-10	M22 X 1.5 (low profile)	33mm hex	10 ct. box	39874
MV22273G-130	M22 X 1.5 (low profile)	33mm hex	130 ct. box	39874
MV88838-10	M22 X 1.5	38mm hex	10 ct. box	39514
MV88838G-80	M22 X 1.5	38mm hex	80 ct. box	39514

SKF Sleeve nut

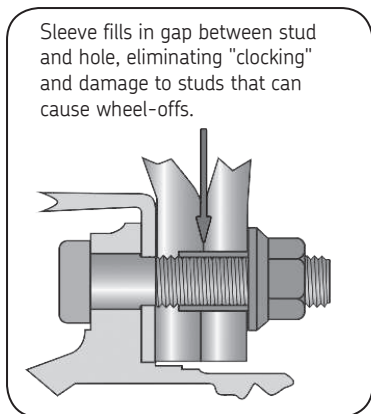
The SKF sleeve nut was developed to reduce wheel and wheel stud damage and help prevent unpredictable wheel off situations. This system is specifically designed for Class 7 and 8 trucks, tractors, trailers and any vehicle that uses M22 X 1.5 two-piece wheel nuts.

Benefits of the SKF sleeve nut include:

- Minimizes the clearance between the wheel stud and the wheel bolt hole
- Reduces the movement or “clocking” of loose wheels
- Engages both dual wheels
- Protects and covers the threads from wear
- Slows the process of wheels loosening
- Lengths designed for specific axle applications and wheel configurations



Part number	Size	Outside diameter	Order by no. of pcs. in container
SLN22006-10	M22-1.5 X 6MM sleeve nut	33mm hex	10 ct. box
SLN22006G-100	M22-1.5 X 6MM sleeve nut	33mm hex	100 ct. box
SLN22195-10	M22-1.5 X 19.5MM sleeve nut	33mm hex	10 ct. box
SLN22195G-70	M22-1.5 X 19.5MM sleeve nut	33mm hex	70 ct. box
SLN22280-10	M22-1.5 X 28MM sleeve nut	33mm hex	10 ct. box
SLN22280G-70	M22-1.5 X 28MM sleeve nut	33mm hex	70 ct. box
SLN22395-10	M22-1.5 X 39.5MM sleeve nut	33mm hex	10 ct. box
SLN22395G-70	M22-1.5 X 39.5MM sleeve nut	33mm hex	70 ct. box



6 mm sleeve
Designed for:

Steer axles:
Steel wheels

Drive/trailer axles:
Steel wide single wheels



19 mm sleeve
Designed for:

Steer axles:
Aluminum wheels

Drive/trailer axles:
Aluminum wide single wheels

Drive/trailer axles:
Steel outer/steel inner dual wheels



28 mm sleeve
Designed for:

Drive/trailer axles:
Steel outer/aluminum inner dual wheels

Drive/trailer axles:
Aluminum outer/steel inner dual wheels



39 mm sleeve
Designed for:

Drive/trailer axles:
Aluminum outer/aluminum inner dual wheels

The TFO wheel end solution overview

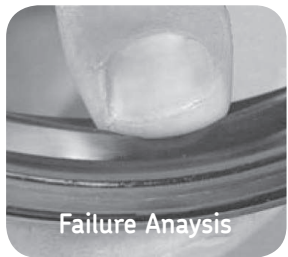
SKF's Trouble-Free Operation (TFO) Program is a proven systems approach to heavy duty maintenance. By providing fleets with detailed instructional materials, and making hands-on training available to your technicians, this program has made a significant contribution to many fleets' overall productivity.



Considered by many professionals to be the most reliable wheel end solution in the world, SKF heavy duty wheel end components have logged over billions of over-the-road miles. SKF offers a complete range of wheel seals, tapered bearings, hubcaps, spindle nuts, wheel end accessories, and all-in-one rebuild kits for PreSet assemblies.



SKF's specialized tooling is designed for errorless, damage-free removal and installation of seals, with procedures that can be easily understood. These tools, and the training on how to use them properly, are part of the TFO program's implementation process.



SKF has examined thousands of damaged seals (from all manufacturers) and has analyzed their major causes of damage. This knowledge has been distilled into the TFO program's Failure Analysis section. This includes inspection and analysis of your fleet's wheel-end failures to help avoid similar failures in the future.



Education on the importance of wheel end systems and their critical role in the safety and productivity of the vehicle is the catalyst of the TFO Program implementation. Hands-on learning and tooling demonstrations are conducted on-site by knowledgeable and experienced SKF personnel to participating shop maintenance and sales personnel. "TFO Qualified" certificates are issued to shop and sales personnel that have successfully completed the SKF training. To reinforce wheel end knowledge SKF provides User Manuals, periodic newsletters, and access to an extensive library of instructional videos.

Other resources:

Mobile parts look up



Access our mobile parts look up website for all the latest part numbers at www.skfpartsinfo.com

SKF Parts Info Apps



Download SKF apps for access to product information, cross reference, instruction sheets, application data and brochures.

YouTube & Twitter



View detailed technical and product videos at www.skfpartsinfo.tv



Follow us on Twitter @skfpartsinfo to stay on top of all the latest technical and product information.

Warranties under the TFO Program

In addition to helping your fleet reduce wheel end maintenance and its associated costs, you can also benefit from special extended warranties on selected products when certain requirements are met. The following warranties are provided for the SKF line of Scotseals purchased under the TFO program.

	<i>Scotseal Classic</i>	<i>Scotseal Longlife</i>	<i>Scotseal PlusXL</i>
Tractor	1 year or 100,000 miles	2 years or 150,000 miles	3 years or 300,000 miles
Trailer	1 year Unlimited	2 years Unlimited	3 years Unlimited
Severe service	1 year or 50,000 miles	1 year or 100,000 miles	1 year or 150,000 miles

The following conditions are required for warranty coverage under the TFO program:

- SKF hubcaps must be used
- Coverage applies to genuine SKF Scotseals and hubcaps only
- User must follow current TMC maintenance procedures
- SKF representative to conduct training at each fleet maintenance facility
- Wheel end maintenance records are to be monitored by SKF and fleet

Note: For further details on the warranty program, including extended OE warranties, contact your local SKF representative.

The right tool for professional installation

Expert mechanics know that the wheel end service efficiency increases when the appropriate tools are used.

SRT-1 seal removal tool

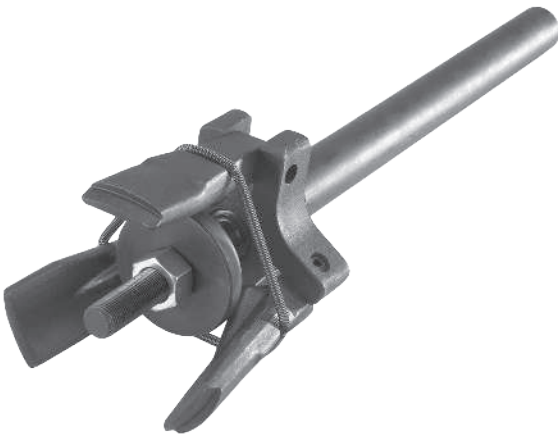


SRT-1 seal removal tool U.S. Patent No. 5,617,621



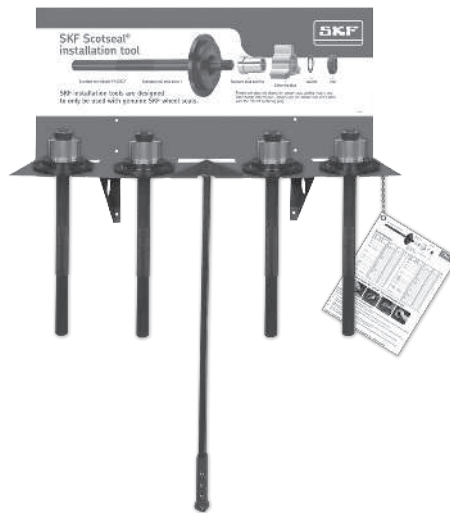
- Grabs seal only and bearings go undamaged
- Works with steer, drive, and trailer wheel seals

Universal bearing cup installer HD1



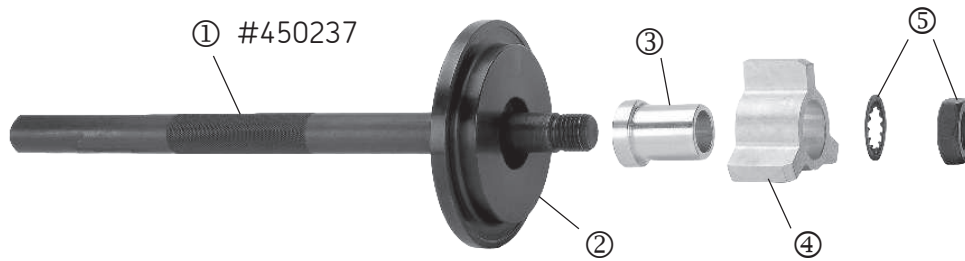
- A three jaw system provides evenly distributed pressure, eliminating cocked installations. Prevents deformed bearing cup faced.
- Installs 3-5/8" to 6-1/2" cup O.D. sizes along with metric equivalents.
- Fits popular cups such as BR563, BR3720, HM212011 VP & 453-XVP.

SKF Scotseal toolboard TB-2



- Separates SKF tools from other manufacturer tools preventing an improper seal installation or failure.
- Attached information card that provides SKF Scotseal tool chart, proper bearing adjustment procedures and interchanges.
- Holds up to 4 installation tools plus has slot in middle for SRT-1 removal tool.

Installation tooling for Scotseal *Classic* and Scotseal *Longlife*



1. Start with standard tool handle #450237 (Production tool: 450731*△)
2. Select appropriate drive plate (Chart A). Assemble onto #450237
3. Assemble standard plug bushing (comes with tool handle)
4. Assemble appropriate centering plug (Chart B). Assemble onto #450237
5. Secure tool components with washer and nut (comes with tool handle)

Chart A
Drive plates & seal matchups
 (Drive plates in bold with matching seal numbers)

427	445	457
34387	39380	40040
36285	39420	40136
36358	39425	40139
36365	42550	461
	42672	45152
428	42800	45160
31175		45162
31244	446	
31281	43860	
31323	43865	462
32470	43875	38747
	46390	38750
435	47483	38780
47690	48690	463
47693	48794	27438
47697	48796	28758
47698	48884	28820
48000	50124	28832
436	448	465
34975	38709	43752
35000	39988	43764
35060		43800
35066	449	
35072	47699	473
35075		39380
35103	451*	(w/disc brks.)
	46305	
441	46308	474
40086		52658
	452△	484
	42623	44922
	42624	44964
	42631	45010
		45099
		45103

Chart B
Matchup of bearing cones & centering plugs
Precisely matched centering plugs are engineered to fit within the inside diameter of the inner bearing cone and allow accurate centering of the SKF Scotseal in the bore of the hub, as well as preventing cocking of the seal.

Bearing cone no.	Centering plug no.	Bearing cone no.	Centering plug no.	Bearing cone no.	Centering plug no.
495-AXVP	708	BR749	719	BR47678	708
BR497	711	749-A VP	710	BR47686	710
BR539	701	756-A	709	BR47687	710
555-S VP	702	BR759	712	BR52400	718
557-A	703	BR760	717	BR52401	718
BR559	704	BR776	715	JH217249	719
BR560	706	BR780	718	JM205149-A	722
BR567	707	BR3778	730	JM207049-A VP	723
BR568	731	BR3982	704	JM511946 VP	724
BR575	708	BR3984	706	JM716649	719
BR580	710	BR4595	701	JM718149 VP	713
BR582	710	BR5760	708	JM719149	733
BR593	712	BR6379	705	HM212044 VP	703
BR594	715	BR6386	706	HM212046	704
594-A VP	715	BR6389	706	HM212047 VP	704
BR595	710	BR6461	708	HM212049-X VP	706
BR596	711	6461-A VP	708	HM212049 VP	706
BR598	714	BR6580	712	HM218248 VP	713*
598-A VP	714	BR28995	703	HM518445 VP	712△
BR639	704	BR33281	716	H715345 VP	716
BR641	706	BR33287	707		
BR663	710	BR33895	701		
663-A	710	BR39580	702		
BR665	711	BR39581	702		
665-A VP	711	BR39585	704		
681-A VP	714	BR42688	708		
BR683	715	BR45284	700		
BR687	718	BR45285	700		

* Available as a production tool; order 450731 tool handle and 386 drive plate

△ Available as a production tool; order 450731 tool handle and 387 drive plate

Installation tool chart for Scotseal *Classic* and Scotseal *Longlife*

SKF Scotseal no.	Inner bearing cone no.	Centering tool	Drive tool
27438	BR3778	730	463
	BR33891	700	463
	BR33895	701	463
28758	BR25877	722	463
	JM205149-A	722	463
	JM207049-A VP	723	463
28820	BR28995	703	463
	BR45284	700	463
28832	BR45284	700	463
31175	BR45284	700	428
31244	BR539	701	428
	BR4595	701	428
31281	JM511946 VP	724	428
31323	BR582	710	428
	BR3984	706	428
32470	BR539	701	428
	BR3984	706	428
	BR39581	702	428
34387	BR33281	716	427
	BR33287	707	427
34975	BR39581	702	436
	BR45284	700	436
35000	BR33281	716	436
	BR33287	707	436
35060	HM212046	704	436
35066	557-A	703	436
	BR39581	702	436
	HM212044 VP	703	436
	HM212047 VP	704	436
	HM212049 VP	706	436
35072	557-A	703	436
	BR39581	702	436
	HM212044 VP	703	436
	HM212047 VP	704	436
	HM212049 VP	706	436
	HM212049-X VP	706	436
35075	557-A	703	436
	BR567	707	436
	BR39250	704	436
	HM212044 VP	703	436

SKF Scotseal no.	Inner bearing cone no.	Centering tool	Drive tool
35103	557-A	703	436
	BR39581	702	436
	HM212044 VP	703	436
	HM212047 VP	704	436
36285	HM212049 VP	706	436
	HM212049 VP	706	436
36285	HM212047 VP	704	427
	HM212049 VP	706	427
	HM212049-X VP	706	427
36358	BR3982	704	427
	HM212047 VP	704	427
36365	555-S VP	702	427
	BR559	704	427
	BR560	706	427
	BR3982	704	427
	HM212047 VP	704	427
38709	BR42688	708	448
38747	BR47686	710	462
	BR6386	706	462
	BR47678	708	462
38750	495-AX VP	708	462
	BR566	710	462
	BR33287	707	462
	BR47686	710	462
	BR47687	710	462
38780	495-AX VP	708	462
	BR566	710	462
	BR582	710	462
	BR598	714	462
	594-A VP	714	462
38780	598-A VP	714	462
	BR5760	708	462
	BR47678	708	462
38780	BR47686	710	462
	BR47686	710	462
	BR47686	710	462
39380	495-AX VP	708	445
	BR497	711	445
	BR568	713	445
	663-A	710	445
	BR6386	706	445
	BR6389	706	445
	BR33287	707	445
	BR33287	707	445
39420	495-AX VP	708	445
	BR33287	707	445
	BR47686	710	445

(continued)

Installation tool chart for Scotseal *Classic* and Scotseal *Longlife*

SKF Scotseal no.	Inner bearing cone no.	Centering tool	Drive tool
39425	495-AX VP	708	445
39988	BR639	704	448
	BR641	706	448
	BR42688	708	448
	HM212049 VP	706	448
40040	6386-A	706	457
40086	BR6379	705	441
	BR6386	706	441
	BR6389	706	441
40136	BR575	708	457
	BR580	710	457
	BR663	710	457
	BR33281	716	457
	665-AVP	711	457
40139	BR575	708	457
	BR580	710	457
	BR663	710	457
	665-AVP	711	457
	BR33281	716	457
42550	495-AX VP	708	445
	BR33287	707	445
	BR47686	710	445
42623	BR593	712	452
	BR749	719	452
	HM518445 VP	712	452
42624	BR593	712	452
	BR749	719	452
	HM518445 VP	712	452
42631	BR593	712	452
	BR749	719	452
	HM518445 VP	712	452
42672	BR663	710	445
	BR665	710	445
	HM516449-AVP	710	445
	HM516449-CVP	710	445
42800	495-AX VP	708	445
	BR582	710	445
	598-AVP	714	445
	663-A	710	445
43752	BR663	710	465
	665-AVP	711	465
	JM718149 VP	713	465
43764	BR749	719	465
	6461-AVP	708	465

SKF Scotseal no.	Inner bearing cone no.	Centering tool	Drive tool
43800	BR5760	708	465
	BR6461	708	465
43860	594-AVP	715	446
	BR595	710	446
	BR598	714	446
	598-AVP	714	446
	BR663	710	446
	BR749	719	446
43865	BR598	714	446
43875	BR594	715	446
	BR598	714	446
	598-AVP	714	446
44922	BR641	706	484
	HM212049 VP	706	484
	H715345 VP	716	484
44964	BR663	710	484
	BR665	711	484
	BR749	719	452
	749-AVP	710	484
45099	BR580	710	484
	BR582	710	484
45103	BR641	706	484
	H715345 VP	716	484
45152	BR594	715	461
45160	BR594	715	461
	594-AVP	715	461
	BR595	710	461
	BR598	715	461
	598-AVP	714	461
	BR663	710	461
	BR759	712	461
	BR760	717	461
45162	BR759	712	461
	HM218248 VP	713	461
46305	BR52400	718	451
	HM218248 VP	713	451
	JM719149	733	451
46308	BR52400	718	451
	HM218248 VP	713	451
	JM719149	733	451
46390	BR593	712	446
47483	BR594	715	446
	594-AVP	715	446

(continued)

Installation tool chart for Scotseal *Classic* and Scotseal *Longlife*

SKF Scotseal no.	Inner bearing cone no.	Centering tool	Drive tool
47690	594-AVP	715	435
	598-AVP	714	435
	BR760	717	435
47693	BR594	715	435
	594-AVP	715	435
	BR598	714	435
	598-AVP	714	435
	681-AVP	714	435
	BR760	710	435
	BR6580	712	435
	BR6580	712	435
47697	BR594	715	435
	594-AVP	715	435
	BR598	714	435
	598-AVP	714	435
	681-AVP	714	435
	BR760	710	435
	BR6580	712	435
	BR6580	712	435
47698	594-AVP	715	435
	BR598	714	435
	598-AVP	714	435
	681-AVP	714	435
	BR760	710	435
	BR6580	712	435
47699	681-AVP	714	449
	BR683	715	449
	683-XA	715	449
48000	594-AVP	715	435
	598-AVP	714	435
	BR759	712	446
	BR760	717	446
	BR52401	718	446
	BR52401	718	446
48690	BR595	710	446
	BR687	718	446
	BR6580	712	446

SKF Scotseal no.	Inner bearing cone no.	Centering tool	Drive tool
48794	756-A	709	446
48796	756-A	709	446
48884	598-AVP	714	446
	BR759	712	446
	BR760	717	446
50124	BR663	710	446
	BR687	718	446
	BR760	710	446
	BR780	718	446
	BR780	718	446
52658	BR687	718	474
	BR780	718	474

Installation procedures for Scotseal *Classic* and Scotseal *Longlife*

When installing a Scotseal *Classic* or *Longlife* seal, it is important to use the proper installation tool to set the seal correctly into the hub. The SKF installation tool is specifically contoured to fit the profile of the seal. Refer to the seal installation tool charts on page 19B.



1.



2.



3.



4.

Caution: Do not install the Scotseal *PlusXL* directly onto the spindle.

Place the hub (wheel) assembly against a solid surface or bench at a 45° angle for seal installation. This aids in centering the bearing and seal in the hub bore. Clean bore of any particles, rust or grease.

1. Pre-lube the inner bearing cone with the lubricant that is being retained and place it into the hub.
2. Place the Scotseal *Classic* or Scotseal *Longlife* into the hub bore and insert the tool assembly with centering plug into the seal. **Note:** Be sure to wear proper eye protection.
3. Hold the tool handle firmly and straight, and drive the seal with firm hammer strokes until the seal is squarely seated. continue driving the seal into the hub until the sound of impact changes.
4. After the seal is bottomed in the bore, check for freedom of movement by manually moving the packing of the seal up and down. Ensure that the inner bearing rotates freely.

Caution: Install a new seal if the seal is cocked or damaged during or after installation.



Watch the
Scotseal *Classic*
installation video.

Installation procedures for Scotseal *PlusXL*

This seal is hand installable. No special tools are required.

Caution: Do not install the Scotseal *PlusXL* directly onto the spindle.

Place the hub (wheel) assembly flat or at least at a 45° angle for seal installation. Clean bore of any particles, rust or grease.

1. Pre-lube the inner bearing cone with the lubricant that is being retained and place it into the hub.
2. Lightly lubricate the seal O.D. and I.D. evenly with the fluid that is being retained. Also apply a thin layer of oil on the hub bore that the seal is being pressed into. NEVER INSTALL DRY.
3. Press the seal by hand evenly into the bore. A rubber mallet or other soft-faced tool may be used to gently tap the seal into place. Be sure that the seal is evenly seated and bottomed in the bore. As in any seal installation, apply an even driving force to avoid cocking the seal or damaging the flange surface.
4. Allow seal to set for about 5 minutes prior to installing hub assembly onto spindle.

Caution: Install a new seal if the seal is cocked or damaged during or after installation.



Lightly lubricate the O.D. and I.D. with the fluid being retained.



Press the seal into the bore evenly by hand.



A rubber mallet may be used to tap into place.



Watch the Scotseal *PlusXL* installation video.

Scotseal family interchanges

Scotseal PlusXL	Scotseal Classic	National	National 5 Star	Stemco Guard. / G.G.* wheel sets	Stemco (seal w/ring)	Stemco Voyager	Stemco Discover
23590	---	370199A	---	---	---	383-0175	---
28759	28758	370150A	---	308-0866	(2164/1008)	383-0166	---
29400	---	370211A	---	---	---	383-0176	---
34384	34387	370047A	---	309-0935/ 392-9035	(2728/1728) (2057/1062)	---	---
34971	34975	370132A	---	308-0863/ 382-8063	(2721/1721) (2133/1036)	---	---
34994	35000	370169A	---	392-9036/ 392-9111	(2057/1063)	---	---
35058	35066	370001A	380001A	308-0836/ 382-8036	(2702/1702) (2036/1036)	383-0136	383-0236
---	36358/ 36365	370011A	---	382-8071	(2216/1034)	383-0171	---
---	38750	370024A	---	309-0915/ 392-9099	(2102/1501)	393-0115	---
38776	38780	370023A	380023A	309-0912/ 392-9099	(2707/1707) (2102/1501)	393-0112	393-0212
39426	---	---	---	---	---	---	---
39979 w/456301	39988 w/455031	370033A/ w/AR-12	---	382-8039/ 382-8023	(2039/1038) (2039/1011)	383-0139	383-0239
40091	40086	370066A	---	382-8001	(2086/1013)	383-0101	---
40129	40136	370349A/ 370036A	380036A	307-0713/ 372-7098	(2704/1704) (2109/1507) (2109/1013)	373-0113	373-0213
42627	42623	370065A/ 376590A	380065A/ 386590A	307-0723/ 372-7099	(2705/1705) (2023/1503)	373-0123	373-0223
42673	42672	370031A	380031A	309-0904/ 392-9112/ 392-9130	(2718/1705) (2132/1515)	393-0104	393-0204
43754	43752	370338A/ 370037A	---	307-0744/ 372-7095	(2709/1709) (2118/1510)	373-0144	---
43761	43764	370182A/ 370048A	380048A	308-0864/ 382-8064	(2711/1711) (2137/1037)	383-0164	383-0264
---	43860	370019A	---	309-0965/ 392-9096	(2713/1713) (2114/1508)	---	---
44916	44922	370124A	---	308-0853/ 382-8053	(2708/1708)	383-0153	---
---	44964/ 45010	370178A	---	392-9033	---	---	---
45093	45099	370022A	380022A	309-0903/ 392-9094	(2706/1706) (2129/1511)	393-0103	393-0203
45095	45103	370131A	380131A	308-0855/ 308-0856/ 382-8056	(2710/1710) (2710/1706)	383-0156	---
45157	45160	370021A	---	309-0964/ 392-9088	(2712/1712) (2113/1517)	---	---
46300	46305	370025A	380025A/ 386002A	307-0743/ 372-7097	(2701/1701) (2110/1504) (2110/1048)	373-0143	373-0243
47691/ 47692 ◇	47697	370003A	380003A	309-0973/ 392-9131	(2703/1703) (2106/1502)	393-0173	393-0273
48002	48000	370005A/ 370173A	---	309-0960/ 392-9081	(2717/1761) (2009/1079)	---	---
---	48690	370195A	---	392-9054	---	393-0134	---

* Guard. (Guardian HP) / G.G. (Grit Guard)

◇ Use to depletion and reorder 47691

Scotseal family popular applications

Scotseal PlusXL	Scotseal Classic	Axle	Application makes
23590	---	Front Axle	GMC & Isuzu
28759	28758	Trailer Axle/Front Axle	Dexter, International, Meritor, Navistar & Spicer
29400	---	Front Axle	GMC & Isuzu
34384	34387	Drive Axle	Dodge, Eaton, Ford, Mack, Meritor, Navistar & White
34971	34975	Front Axle	Dodge, Ford & GMC
34994	35000	Drive Axle	Eaton, Navistar & Spicer
35058	35066	Trailer Axle/Front Axle	Dodge, Eagle, Eaton, Ford, GMC, Ingersoll, Meritor, Navistar, Spicer, Westport & White
---	36358/36365	Trailer Axle/Front Axle	GMC & Mack
---	38750	Trailer Axle/Drive Axle	Dodge, Eaton, GMC, Meritor & Spicer
38776	38780	Drive Axle	Dodge, Eaton, GMC, Meritor, Navistar, Spicer, White
39426	---	Front Axle	Volvo
39979 w/456301	39988 w/455031	Front Axle	Mack
40091	40086	Trailer Axle/Front Axle	Flxible (Transit Bus) & Meritor
40129	40136	Trailer Axle/Drive Axle	ACF, Autocar, Clark Equip., Eaton, Ford, GMC, Ingersoll, Kay-Brunner, Kershaw, KGI Limited, Mack, Meritor, Nabors Trailer, Navistar, Palmer, R.O.R., Sauer, Spencer, Spicer, Standard Forge, Trunnion, Utility Equip & White
42627	42623	Trailer Axle	Delphos, Eaton, Fruehauf/Pro-Par, Hendrickson, Ingersoll, Meritor, Sauer, Spicer, Standard Forge, Sudisa
42673	42672	Trailer Axle/Drive Axle	Clark Equip., Eaton, Mack
43754	43752	Trailer Axle/Drive Axle	Eaton, Meritor, Navistar, R.O.R., Sauer (Otto), Spicer, Traylor
43761	43764	Trailer Axle/Front Axle	Dodge, Dryson, Eaton, Ford, GMC, Ikarus-Crown (Transit Bus), Mack, Meritor, Navistar, Spicer, White
---	43860	Drive Axle	Eaton, Ford, GMC, Navistar, Arvin Meritor/Rockwell, Volvo-White
44916	44922	Front Axle	Navistar & Spicer
---	44964/45010	Trailer Axle/Rear Axle	Meritor
45093	45099	Trailer Axle/Drive Axle	Eaton, Mack, Meritor, Navistar, R.O.R., Traylor
45095	45103	Front Axle	Navistar & Spicer
45157	45160	Trailer Axle/Rear Axle	Brockway, Eaton, GMC, Mack, Meritor, Navistar, Spicer, Volvo, White
46300	46305	Trailer Axle/Front Axle/ Rear Axle	Delphos, Dexter, Eaton, Hendrickson, Ingersoll, Kay-Brunner, Kershaw, Magirus, Meritor, Moss Gear, Navistar, R.O.R., Sauer (Otto), Spicer, Sudisa, Standard Forge, Westport, White
47692 ◇	47697	Trailer Axle/Drive Axle	Brockway, Dodge, Eaton, Freightliner, GMC, Kenworth, Mack, Meritor, Navistar, Spicer, Sudisa
48002	48000	Drive Axle	Eaton, GMC, Mack, Meritor, Spicer & White
48690	---	Drive Axle	Flxible (Transit Bus), Gruman, Ikarus-Crown, Meritor

◇ Use to depletion and reorder 47691

Caution: Beware of counterfeit seals

Counterfeit seals are everywhere - and causing a big safety concern

Unscrupulous manufacturers are flooding the global market with poorly engineered and cheaply manufactured seals that have deliberately been made to resemble premium quality SKF Scotseals. Most obvious is the use of green paint (not Bore-Tite®) that can flake off and enter the hub, actually causing bearing damage. For warranties that apply only to genuine SKF brand Scotseals, please see page 17B.

A few words of caution:

- A seal's running surfaces are critical to performance. Historically, the running surfaces of counterfeit seals have been demonstrated to be well below SAE standards.
- Testing has shown these counterfeit seals to be of substantially inferior quality and highly questionable reliability.
- Premature seal failure can lead to unexpected wheel end failures that can cause vehicle downtime and damage, serious personal injury and even fatalities.

Don't take chances. Make sure the SKF seals you order—and receive—are the real thing by making sure "SKF" is marked on the seal. If you're not sure what you're getting, or suspect you may have received a counterfeit SKF seal, please contact your authorized dealer.

Wheel bearing and end play adjustment procedures

Step 1: Lubricate the wheel bearing with clean axle lubricant of the same type used in the axle sump or hub assembly.
Note: Never use an impact wrench when tightening or loosening lug nuts or bolts during the procedure.

Initial adjusting nut torque	Initial back off	Final adjusting nut torque	Back off			Jam nut torque		Acceptable end play
			Axle type	Threads per inch	Final back off	Nut size	Torque specifications	
Step 2	Step 3	Step 4		Step 5	Step 6	Step 7		Step 8
200 lb-ft (271 N·m) While rotating wheels	One full turn	50 lb-ft (68 N·m) While rotating wheels	Steer (front non-drive)	12	1/8 Turn ¹⁾	Install cotter pin to lock axle nut in position		0.001 in – 0.005 in (0.025 mm – 0.127 mm)
				18	1/4 Turn ¹⁾			
				14	1/2 Turn			
			Drive	12	1/4 Turn	Less than 2 5/8 in (66.7 mm)	200–300 lb-ft (271–407 N·m)	
				16		Dowel type washer	300–400 lb-ft (407–542 N·m)	
				18		Tang type washer ²⁾	200–275 lb-ft (271–373 N·m)	
Trailer	12	1/4 Turn	2 5/8 in (66.7 mm) and over	200–300 lb-ft (271–407 N·m)	As measured per procedure with dial indicator			
	16							

¹⁾ If dowel pin and washer (or washer tang and nut flat) are not aligned, remove the washer, turn it over, and reinstall. If required, loosen the inner (adjusting) nut just enough for alignment.

²⁾ Bendable type washer lock only: Secure nuts by bending one wheel nut washer tang over the inner and outer nut. Bend the tangs over the closest flat perpendicular to the hang.

Printed with permission of the TMC, Reference RP618A.

PreSet® wheel bearing adjustment procedure

ConMet® PreSet® hub assemblies are equipped with specially, half-toleranced bearings and a spacer, and require a specific bearing adjustment procedure. Use the OEM seal, Scotseal PlusXL, when servicing a PreSet® hub assembly.



- 1.) Lubricate the wheel bearing with clean axle lubricant of the same type used in the axle sump or hub assembly. Never use an impact wrench when tightening or loosening lug nuts or bolts during this procedure.
- 2a) For one-piece spindle nut systems, torque the nut to a minimum of 300 ft. lbs. Do not back off the spindle nut. Advance the nut until engagement takes place and the nut is locked.

- 2b) For a double nut or jam nut system, torque the inner nut to 300 ft. lbs. Do not back off the spindle nut. Install the outer nut with 200 ft. lbs. of torque.

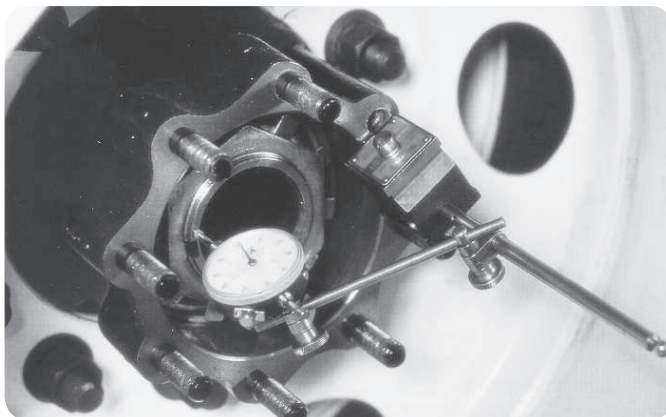
NOTE: Be sure to engage any locking device.

- 2c) Per ConMet® Service Manual, rev 2011, ConMet® does not recommend the use of a one-piece castellated type nut system for use with PreSet® hubs.

Wheel bearing end play verification

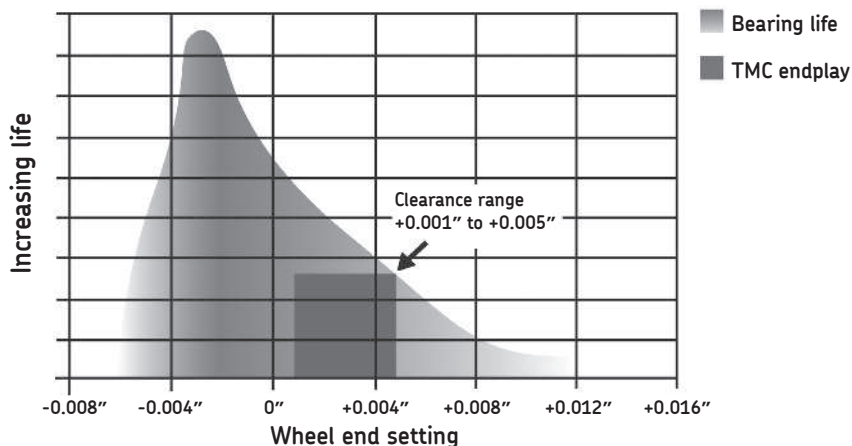
Wheel bearing end play is the free movement of the wheel assembly along the spindle axis. It is recommended, for verification purposes, that wheel bearing end play be measured with a dial indicator. (Example in photo below)

- Step 1** Make sure the brake drum to hub fasteners are tightened to the manufacturers' specifications.
- Step 2** Attach a dial indicator with its magnetic base at the bottom of the hub or brake drum.
- Step 3** Adjust the dial indicator so that its plunger or pointer is against the end of the spindle with its line of action approximately parallel to the axis of the spindle.
Note: For aluminum hubs, attach the magnetic base of the indicator to the end of the spindle with the plunger against the hub or brake drum.
- Step 4** Set the dial indicator to zero by rotating the gauge face so the zero mark lines up with the gauge needle. For digital indicators, push the zero-out button.
- Step 5** Grasp the wheel assembly at the 3 o'clock and 9 o'clock positions, while oscillating it to seat the bearings. Read bearing end play as the total indicator movement.
Note: If end play is not within specifications, refer to the readjustment procedure on the previous page.



Printed with permission of the TMC, Reference RP618.

Bearing life chart



Hubcap installation procedure

Procedure

1. Hub mating surface must be free of dirt, burrs and radial score lines.
2. Hub mating surface, hubcap flange and gasket should not be greased or oiled.
3. Always install and re-install a hubcap with a new gasket.
4. When using a Tamper Proof system with synthetic grease, never fill hubcap with grease.

Bolt on hubcaps

- Use the plated SEMS bolts included with the TF Zytel hubcaps. The pre-assembled washers bite into the flange and protect the wheel end from exposure to contaminants.
- Use grade 5 bolts for the steel hubcaps with conical or internal toothed washers. Do not use flat washers.
- Thread all bolts loosely, then tighten down bolts uniformly in a star pattern per the following recommended torque values.

TF (Zytel) Hubcap with embedded metal ring	12-16 lbs./ft.
Stamped Steel Hubcaps	10-14 lbs./ft.
Plastic Hubcap with external metal ring	6-10 lbs./ft.

Threaded hubcaps

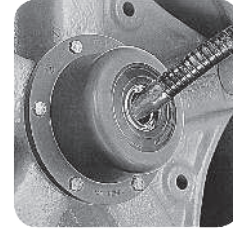
- Lightly lubricate the threads of the hubcap and the O-ring, with the lubricant that is being retained.
- Install the O-ring onto the hubcap.
- Install the hubcap assembly onto the hub.
- Using an 8-point 4 13/16" opening x 4 1/4" high socket, torque to the following recommended values:

Lexan 50-60 lbs./ft. (Note: Do not use solvent-based cleaners on Lexan hubcaps.)

Oil fill

Through center fill port

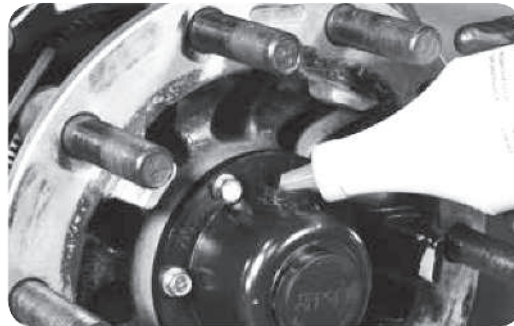
- Fill when end assembly through centerfill port with the specified grade of oil. Wheel hub configurations vary, allowing different amounts of oil to be added depending on design. Allow for the oil to seep through the outer bearing and fill the hub cavity. Continue to add oil until the oil reaches the oil level fill line as indicated on the hubcap.



- Install center fill hubcap plug.

Through side fill port

- Fill wheel end assembly through side fill port with the specified grade of oil. Wheel hub configurations vary, allowing different amounts of oil to be added depending on design. Allow for the oil to seep through the outer bearing and fill the hub cavity. During this fill operation, do not allow the oil to go above the centerline or weep hole. This may result in a weeping condition that may be perceived as a leaking hubcap. Continue to add oil until the oil reaches the oil level line as indicated on the hubcap.



- Install side fill hubcap plug per the following recommended torque values:

3/8" - 18 NPT Pipe Plug	100-140 lbs./in.
3/4" - 16 UNF (Zytel) Side Fill Plug	15-25 lbs./in.

Clean up any overspills that would give the appearance of a leaky hubcap.

Grease fill: See TMC RP631

"Recommendations for Wheel End Lubrication" and the vehicle manufacturer's recommendation for proper fill procedure.

Hubcap interchange chart

SKF TF/Zytel			Stemco				National Oil	Dual Dynamics			
Oil	Grease	Application	Oil			Sentinel			Oil	Grease	SKF Steel
						Oil	Grease				
1282 ²	1284 ²	Pro-Par Trailer		343-49 75				HU-075A	276-P	275-G	
1600		Trailer/Hubo	347-4009			348-4075	349-4075				
1608 ¹		Steer	340-4065	343-4065				HU-065A			
1612 ¹	1326 ¹	Steer	340-4024	343-4024	350-4024			HU-024A	302-P	301-G	1711
1613 ¹		Steer	340-4249	343-4249	350-4249			HU-149A			1703
1623		Trailer	340-4066	343-4066				HU-066A			1723
1627		Trailer	340-4002	343-4002							1727
1627		Steer	340-4019	343-4019				HU-019A			
1630 ¹		Trailer	340-4014	343-4014						202-G	
1642		Trailer	340-4013	343-4013		348-4013	349-4013	HU-013A	282-P		1742
1643	1343	Trailer	340-4009	343-4009		348-4009	349-4009	HU-009A	203-P	283-G	1743
1643	1343	Trailer	340-4046	343-4046				HU-046A	303-P	304-G	
1644 ¹	1343	Trailer/Steer	340-4009	343-4009		348-4009	349-4009				1743
	1343W	Trailer					342-4009				
1665		Trailer	340-4042	343-4042				HU-042A			1765
1669 ¹		Steer	340-4025	343-4025	350-4025			HU-036A			
1670 ¹		Steer	340-4034	343-4034	350-4034			HU-034A			1770
1681		Trailer	340-4029	343-4029				HU-028A			
1691 ¹		Steer	340-4098	343-4098							1790
1696	1399	Trailer	340-4195	343-4195		348-4195	349-4195		257-P	255-G	1796
	1399W	Trailer					342-4195				
1698		Trailer	340-4059	343-4059							1798
1698		Trailer	340-4080	343-4080							
1943 ³	1443 ³	Trailer		343-4370			340-4350		207-P	401-G	
1996 ³	1499 ³	Trailer		343-4372			340-4352		260-P	456-G	

¹ Black design

² Lexan design

³ Designed for P.S.I. system

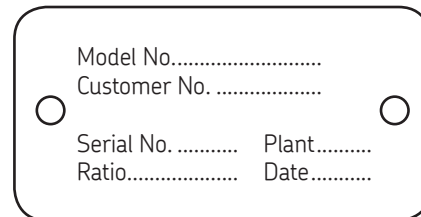
NOTES

Axle identification

Current design Front, Rear, Pusher, Tag and Trailer axles can be identified by an alphabetical, numerical or alpha numeric axle code. The various letters and numbers indicate the size (capacity), type (model), brake system and various modifications.

To identify your axle model:

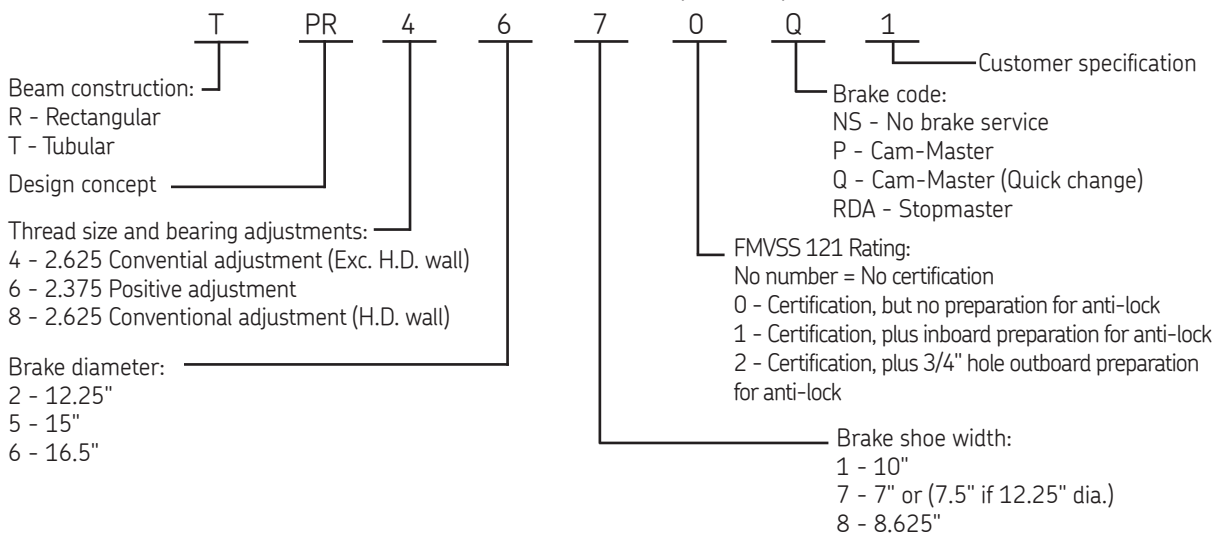
1. Refer to the I.D. tag fixed to the axle beam (housing) or axle carrier.
2. Refer to the stamping located on the rear of the axle beam (housing) or the axle carrier.
3. Refer to the truck Bill of Material, Broadcast Sheet, Certification Label, Line Ticket, Service Parts I.D. Tag, Specification List or Vehicle Data Plate. This type of identification is located inside the cab or attached to the cab door. The data represents only the equipment on the vehicle when it was shipped from the factory.



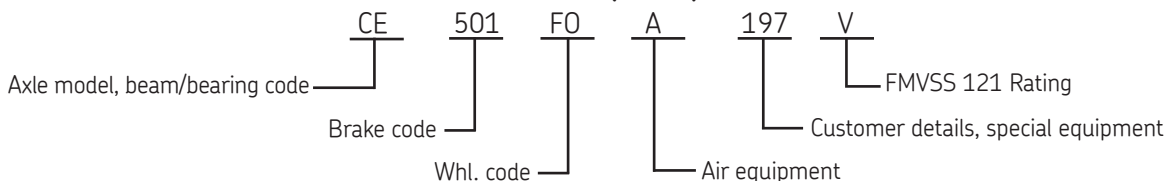
Example of the I.D. tag

Trailer axle identification

Rockwell-Standard (Timken)

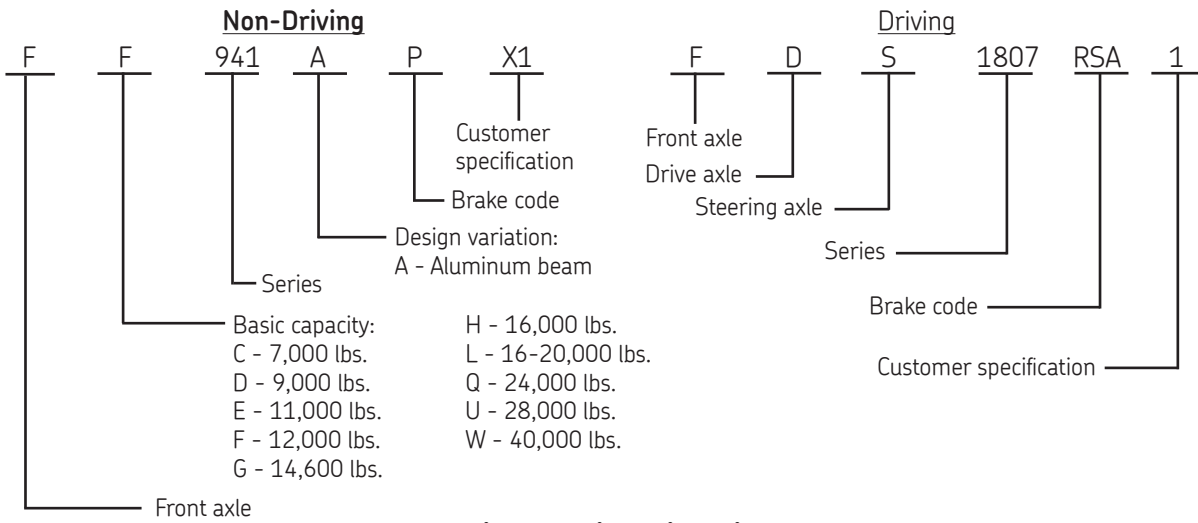


Shuler (Eaton)

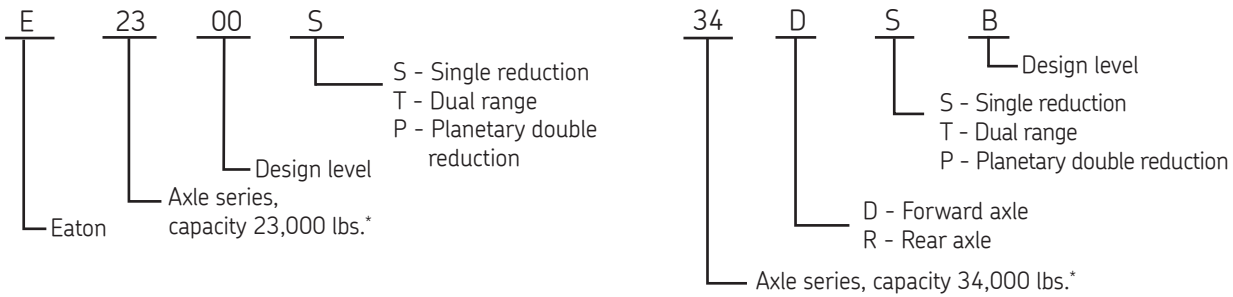


Axle identification

Front axle identification Rockwell-Standard (Timken)

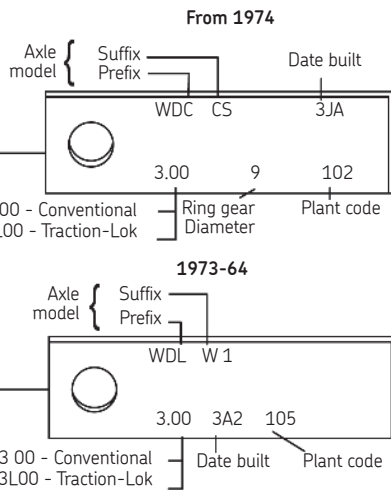
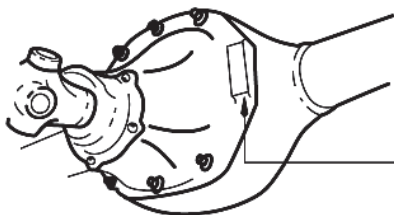
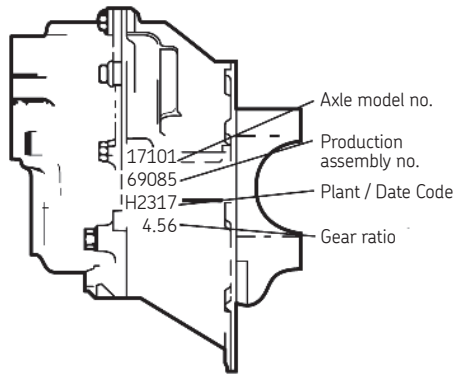
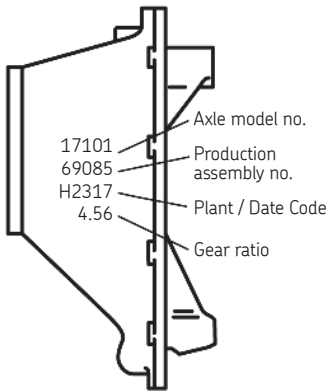


Drive axle identification Eaton



Top view

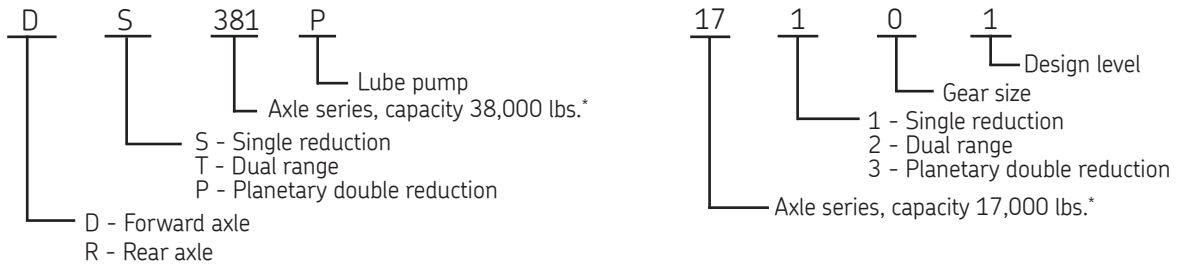
Side view



For in-text symbols, see page 5A.

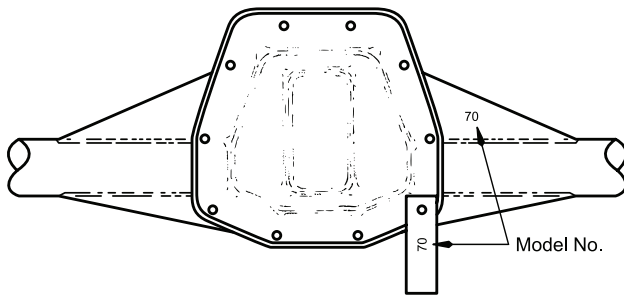
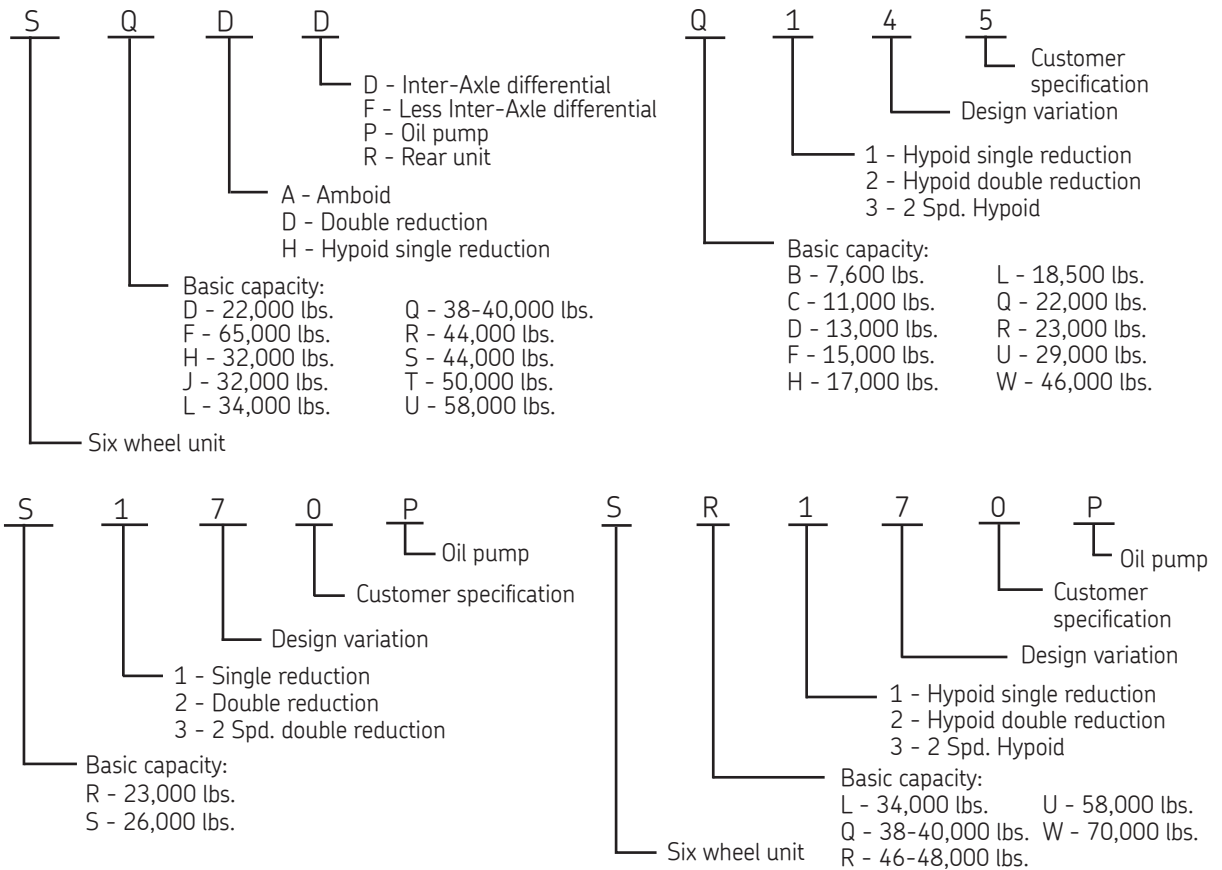
Axle identification

Drive axle identification (Continued) Eaton (Continued)



*Note: Axle capacity is not always exactly represented by this number, i.e. 17201 = 19,000 lbs.

Rockwell-Standard (Timken)



Spicer (Dana)

All Spicer axles are identified with a model number. The model number is cast on the bottom right hand side of the housing.

Note: Axle capacities referred to in this catalog are based on manufacturer specifications "Ground Loading Capacities". Installation of components with a higher capacity does not increase the axle capacity; however, installation of a lesser capacity does reduce the overall capacity.

Manufacturers index

Manufacturer	Section	Pg. No.	Manufacturer	Section	Pg. No.
Al-Ko Kober.....	Trailer	1	Strick Corp.	Trailer	See Axle Mfr.
Alloy Trailer Inc.....	Trailer	See Axle Mfr.	Sudisa	Trailer	25
American Trailer Co.	Trailer	See Axle Mfr.	Theurer Atlantic.....	Trailer	See Axle Mfr.
Black Diamond	Trailer	See Axle Mfr.	Timken.....	Trailer	See Meritor
Brown Trailer Inc.	Trailer	See Clark	Timpte	Trailer	See Axle Mfr.
Budd Co.	Trailer	See Axle Mfr.	Trailmobile.....	Trailer	See Axle Mfr.
Callahan Trailer Inc.	Trailer	See Axle Mfr.	Trailor	Trailer	25
Challenge-Cook Bros.	Trailer	See Axle Mfr.	Trunnion	Trailer	26
Chevrolet.....	Trailer	See GMC	Utility Equip	Trailer	26
Clark Equip.....	Trailer	1	Volvo.....	Trailer	26
Comet Trailer.....	Trailer	See Axle Mfr.	Vulcan Trailer	Trailer	See Axle Mfr.
Converto Trailer.....	Trailer	See Axle Mfr.	Wabash National Corp.....	Trailer	See Axle Mfr.
Dakota Trailer Co.	Trailer	See Axle Mfr.	Webb.....	Trailer	See Axle Mfr.
Delphos.....	Trailer	2	Westport.....	Trailer	27
Dexter.....	Trailer	2	White	Trailer	27
Dorsey Trailers Inc.	Trailer	See Axle Mfr.	Wilson Trailer Co.	Trailer	See Axle Mfr.
Dryson.....	Trailer	3	ACF Truck	Front	28
Eaton.....	Trailer	3	Aerocoach.....	Front	See Axle Mfr.
Erie	Trailer	See Axle Mfr.	American LaFrance.....	Front	See Axle Mfr.
Fontaine Truck	Trailer	See Axle Mfr.	ArvinMeritor (School Bus). Front	28	
Ford.....	Trailer	6	Autocar	Front	See Axle Mfr.
Fruehauf/Pro-Par	Trailer	6	Available.....	Front	See Axle Mfr.
GMC.....	Trailer	7	Bluebird Body Co.	Front	See Axle Mfr.
Great Dane.....	Trailer	See Axle Mfr.	Boyertown Auto Body Co. Front	See Axle Mfr.	
Hadco	Trailer	7	Brockway.....	Front	See Axle Mfr.
HammerBlow.....	Trailer	7	Brown	Front	See Axle Mfr.
Hayes	Trailer	8	Capacity	Front	See Axle Mfr.
Heil Co.....	Trailer	See Axle Mfr.	Champion Motors.....	Front	See Axle Mfr.
Hendrickson	Trailer	8	Chevrolet.....	Front	See GMC
Hobbs Trailer.....	Trailer	See Axle Mfr.	Clark Axle	Front	29
IHC	Trailer	See Navistar	Coleman.....	Front	30
Ingersoll.....	Trailer	9	Correct Mfg. Co.	Front	See Axle Mfr.
KGI Limited	Trailer	10	Crane Carrier	Front	See Axle Mfr.
Kay-Brunner.....	Trailer	10	Crown Coach	Front	See Axle Mfr.
Kelsey Hayes Co.	Trailer	11	Dana	Front	See Spicer
Kentucky Mfg.	Trailer	See Axle Mfr.	Dart Truck Co.		
Kenworth	Trailer	11	(Div. of Paccar).....	Front	See Axle Mfr.
Kershaw	Trailer	12	Daybrook Ottawa	Front	See Axle Mfr.
La Crosse.....	Trailer	12	Diamond Reo	Front	See Axle Mfr.
Lufkin Trailer.....	Trailer	See Axle Mfr.	Diamond T.....	Front	See Axle Mfr.
Mack.....	Trailer	13	Dodge.....	Front	30
Matlock Trailer.....	Trailer	See Axle Mfr.	Duplex	Front	See Axle Mfr.
Meritor	Trailer	13	Eagle	Front	See Axle Mfr.
Miller Trailer.....	Trailer	See Axle Mfr.	Eagle (Transit Bus)	Front	31
Monon	Trailer	See Axle Mfr.	Eaton.....	Front	32
Moss Gear.....	Trailer	16	FWD	Front	33
Motor Wheel.....	Trailer	See Axle Mfr.	FWD Truck	Front	33
Nabors Trailer.....	Trailer	16	Fabco	Front	33
Navistar	Trailer	17	Fargo.....	Front	See Axle Mfr.
Ohio Body Mfg.	Trailer	See Axle Mfr.	Federal Motors.....	Front	See Axle Mfr.
Palmer.....	Trailer	18	Flex-True	Front	See Axle Mfr.
Pines Trailer	Trailer	See Axle Mfr.	Flxible	Front	See Axle Mfr.
Polar American.....	Trailer	See Axle Mfr.	Flxible (Transit Bus)	Front	34
Prior.....	Trailer	18	Ford	Front	34
R.O.R.	Trailer	18	Ford (School Bus).....	Front	39
Ravens Metal Products....	Trailer	See Axle Mfr.	Freightliner	Front	See Axle Mfr.
Reliance Trailer Mfr.	Trailer	See Axle Mfr.	GMC.....	Front	39
Rockwell.....	Trailer	See Meritor	GMC (Transit Bus)	Front	42
Rogers Bros. Corp	Trailer	See Axle Mfr.	GMC Truck.....	Front	43
Sauer.....	Trailer	19	GMC/Chev (School Bus) .. Front	43	
Sauer (Otto)	Trailer	20	Harnischfeger.....	Front	See Axle Mfr.
Schuler Mfg. & Equip.	Trailer	See Eaton	Hayes	Front	See Axle Mfr.
Spencer.....	Trailer	20	Hendrickson	Front	See Axle Mfr.
Spicer.....	Trailer	20	Hino.....	Front	44
Standard Forge	Trailer	23	Ibex.....	Front	See Axle Mfr.
Stoughton Trailers Inc.	Trailer	See Axle Mfr.	IHC	Front	See Navistar

For in-text symbols, see page 5A.

Manufacturers index - (cont.)

Manufacturer	Section	Pg. No.	Manufacturer	Section	Pg. No.
Ikarus-Crown (Transit Bus)	Front	44	GMC Truck	Drive	126
Isuzu	Front	45	Gruman	Drive	127
Iveco	Front	45	Harnischfeger	Drive	See Axle Mfr.
Kenworth	Front	See Axle Mfr.	Hayes	Drive	See Axle Mfr.
Mack	Front	46	Hendrickson	Drive	127
Mack Midliner	Front	50	Hino	Drive	127
Magirus	Front	50	Ibex	Drive	See Axle Mfr.
Magirus Deutz	Front	See Magirus	IHC	Drive	See Navistar
Magirus Truck	Front	51	Ikarus-Crown	Drive	128
Marmon-Herrington	Front	51	Isuzu	Drive	129
Mercedes-Benz	Front	52	Iveco	Drive	129
Meritor	Front	53	Kenworth Truck	Drive	130
Mitsubishi Fuso	Front	60	Mack	Drive	130
Navistar	Front	61	Mack Midliner	Drive	137
Navistar (School Bus)	Front	65	Magirus	Drive	137
Oshkosh	Front	66	MAN	Drive	137
Peterbilt	Front	See Axle Mfr.	Marmon-Herrington	Drive	137
REO	Front	See Axle Mfr.	Mercedes Benz	Drive	138
Rockwell	Front	See Meritor	Meritor	Drive	139
Spicer	Front	67	Mitsubishi Fuso	Drive	160
Sterling Truck	Front	70	Navistar	Drive	161
Twin Coach Truck	Front	70	Navistar School Bus	Drive	168
Volvo	Front	71	Navistar Truck	Drive	169
Volvo / GMC	Front	See Axle Mfr.	Nissan	Drive	169
Walter Equip	Front	See Axle Mfr.	Oshkosh	Drive	169
Ward LaFrance	Front	72	Peterbilt	Drive	171
Western Star	Front	See Axle Mfr.	Peterbilt Truck	Drive	171
Westport	Front	72	Rockwell	Drive	See Meritor
White	Front	72	SISU	Drive	171
ACF	Drive	75	Spicer	Drive	172
Aerocoach	Drive	75	Sterling	Drive	174
American LaFrance	Drive	See Axle Mfr.	Superior	Drive	175
ArvinMeritor (School Bus)	Drive	76	Twin Coach	Drive	175
Autocar	Drive	77	United Diesel	Drive	See Nissan
Available	Drive	77	Volvo	Drive	176
Bluebird	Drive	See Axle Mfr.	Ward LaFrance	Drive	176
Boyertown	Drive	See Axle Mfr.	White	Drive	178
Brockway Axle	Drive	78			
Brockway Truck	Drive	78			
Brown	Drive	79			
Capacity	Drive	See Axle Mfr.			
Champion Motors	Drive	See Axle Mfr.			
Chevrolet	Drive	See GMC			
Clark	Drive	79			
Coleman	Drive	80			
Crane Carrier	Drive	See Axle Mfr.			
Crown Coach	Drive	See Axle Mfr.			
Dana	Drive	See Spicer			
Dart	Drive	See Axle Mfr.			
Daybrook Ottawa	Drive	See Axle Mfr.			
Diamond Reo	Drive	See Axle Mfr.			
Diamond T	Drive	80			
Divco (Correct Mfg. Co.)	Drive	See Axle Mfr.			
Dodge	Drive	81			
Duplex	Drive	83			
Eagle	Drive	See Axle Mfr.			
Eaton	Drive	84			
FWD	Drive	105			
Fargo	Drive	See Axle Mfr.			
Federal	Drive	106			
Flex-True	Drive	See Axle Mfr.			
Flxible	Drive	106			
Flxible (Transit Bus)	Drive	107			
Ford	Drive	See Axle Mfr.			
Freightliner	Drive	120			
GMC	Drive	120			

Axle numerical listing

Axle	Manufacturer	Section	Pg. no.	Axle	Manufacturer	Section	Pg. no.
10K	Al-Ko Kober	Trailer	1	E	Eaton	Trailer	3
12K	Al-Ko Kober	Trailer	1	ED	Eaton	Trailer	3
16K	Al-Ko Kober	Trailer	1	EH	Eaton	Trailer	3
D-80	Al-Ko Kober	Trailer	1	ERA225J	Eaton	Trailer	3
H-80	Al-Ko Kober	Trailer	1	ETA225J	Eaton	Trailer	3
K-80	Al-Ko Kober	Trailer	1	ETA230C	Eaton	Trailer	3
T-80	Al-Ko Kober	Trailer	1	H	Eaton	Trailer	4
18000 lbs.	Clark Equip.	Trailer	1	H25LD	Eaton	Trailer	4
20000 lbs.	Clark Equip.	Trailer	1	HC	Eaton	Trailer	4
ND18000	Clark Equip.	Trailer	1	HCE	Eaton	Trailer	4
ND20000	Clark Equip.	Trailer	1	HD	Eaton	Trailer	4
ND-7	Clark Equip.	Trailer	1	HJ	Eaton	Trailer	4
DD	Delphos	Trailer	2	HJE	Eaton	Trailer	4
PD	Delphos	Trailer	2	HR25	Eaton	Trailer	4
PP	Delphos	Trailer	2	J	Eaton	Trailer	4
10000	Dexter	Trailer	2	J501	Eaton	Trailer	4
10D	Dexter	Trailer	2	JE	Eaton	Trailer	4
10G	Dexter	Trailer	2	JH	Eaton	Trailer	4
12000	Dexter	Trailer	2	K	Eaton	Trailer	4
12D	Dexter	Trailer	2	KB19	Eaton	Trailer	4
15000	Dexter	Trailer	2	LA15	Eaton	Trailer	4
15D	Dexter	Trailer	2	N	Eaton	Trailer	4
20000	Dexter	Trailer	2	ND	Eaton	Trailer	4
20D	Dexter	Trailer	2	P Trailer	Eaton	Trailer	4
22500	Dexter	Trailer	2	R-909	Eaton	Trailer	4
225D	Dexter	Trailer	2	T	Eaton	Trailer	4
9G	Dexter	Trailer	2	T14	Eaton	Trailer	4
D200K	Dexter	Trailer	2	T144500	Eaton	Trailer	4
D225K	Dexter	Trailer	2	T144519	Eaton	Trailer	4
D250K	Dexter	Trailer	2	T144545	Eaton	Trailer	4
D2H12	Dexter	Trailer	2	T144566	Eaton	Trailer	4
D2H16	Dexter	Trailer	2	T144575	Eaton	Trailer	4
D2L12	Dexter	Trailer	2	T144576	Eaton	Trailer	4
D2L16	Dexter	Trailer	2	T14D	Eaton	Trailer	4
D2M12	Dexter	Trailer	2	T18	Eaton	Trailer	4
D2M16	Dexter	Trailer	2	T18A	Eaton	Trailer	4
22000 lbs.	Dryson	Trailer	3	T18B	Eaton	Trailer	4
20L	Eaton	Trailer	3	T18C	Eaton	Trailer	4
20L77	Eaton	Trailer	3	T18D266	Eaton	Trailer	4
225D	Eaton	Trailer	3	T20L	Eaton	Trailer	4
225P	Eaton	Trailer	3	T20L77	Eaton	Trailer	4
22L	Eaton	Trailer	3	T21	Eaton	Trailer	4
22R	Eaton	Trailer	3	T-21D	Eaton	Trailer	4
23L	Eaton	Trailer	3	T22L	Eaton	Trailer	4
23L501	Eaton	Trailer	3	T23L	Eaton	Trailer	4
23R	Eaton	Trailer	3	T24L	Eaton	Trailer	4
24L	Eaton	Trailer	3	T25	Eaton	Trailer	4
25LD	Eaton	Trailer	3	T256000	Eaton	Trailer	4
25LD501	Eaton	Trailer	3	T9	Eaton	Trailer	4
25R	Eaton	Trailer	3	T9AD	Eaton	Trailer	4
25RD	Eaton	Trailer	3	T-9D	Eaton	Trailer	4
34RT	Eaton	Trailer	3	W	Eaton	Trailer	4
A	Eaton	Trailer	3	18000	Ford	Trailer	6
B	Eaton	Trailer	3	No. 10	Fruehauf/Pro-Par	Trailer	6
C	Eaton	Trailer	3	No. 5	Fruehauf/Pro-Par	Trailer	6
C07LA3	Eaton	Trailer	3	Pro-Par	Fruehauf/Pro-Par	Trailer	6
C2	Eaton	Trailer	3	RS23180	GMC	Trailer	7
CB	Eaton	Trailer	3	RX180	GMC	Trailer	7
CD	Eaton	Trailer	3	T-11311	GMC	Trailer	7
CD2	Eaton	Trailer	3	TK560	GMC	Trailer	7
CE	Eaton	Trailer	3	TK561	GMC	Trailer	7
CR	Eaton	Trailer	3	TKD560	GMC	Trailer	7
CZ	Eaton	Trailer	3	120 Series	Hadco	Trailer	7
D	Eaton	Trailer	3	385 Series	Hadco	Trailer	7
DE	Eaton	Trailer	3	70 Series	Hadco	Trailer	7
DH	Eaton	Trailer	3	7M Series	Hadco	Trailer	7
DWL1	Eaton	Trailer	3	85 Series	Hadco	Trailer	7

For in-text symbols, see page 5A.

Axle numerical listing

Axle	Manufacturer	Section	Pg. no.	Axle	Manufacturer	Section	Pg. no.
12000 lbs.	HammerBlow	Trailer	7	T37	Kay-Brunner	Trailer	11
10K	Hayes	Trailer	8	XHT21	Kay-Brunner	Trailer	11
12K	Hayes	Trailer	8	KH1	Kelsey Hayes	Trailer	11
16K	Hayes	Trailer	8	8QHD(SQHD)	Kenworth	Trailer	11
90249	Hayes	Trailer	8	K14	Kershaw	Trailer	12
D-80	Hayes	Trailer	8	K20	Kershaw	Trailer	12
H-80	Hayes	Trailer	8	K21	Kershaw	Trailer	12
K-80	Hayes	Trailer	8	K22	Kershaw	Trailer	12
K-80P	Hayes	Trailer	8	K25	Kershaw	Trailer	12
T-80	Hayes	Trailer	8	K30	Kershaw	Trailer	12
AAEDL	Hendrickson	Trailer	8	K45	Kershaw	Trailer	12
AAEDT	Hendrickson	Trailer	8	K65	Kershaw	Trailer	12
AAL	Hendrickson	Trailer	8	SD5105	La Crosse	Trailer	12
AANLS	Hendrickson	Trailer	8	SWDR-48	Mack	Trailer	13
AAT	Hendrickson	Trailer	8	SWDR-49	Mack	Trailer	13
AAZL	Hendrickson	Trailer	8	5B715M	Meritor	Trailer	13
AAZNT	Hendrickson	Trailer	8	BUS TAG	Meritor	Trailer	13
A15S	Ingersoll	Trailer	9	FV Series	Meritor	Trailer	13
A19	Ingersoll	Trailer	9	JWVC	Meritor	Trailer	13
A19H	Ingersoll	Trailer	9	RL Series	Meritor	Trailer	13
A19S	Ingersoll	Trailer	9	RN Series	Meritor	Trailer	13
A21S	Ingersoll	Trailer	9	RQ Series	Meritor	Trailer	13
A22	Ingersoll	Trailer	9	RX180	Meritor	Trailer	13
A22H	Ingersoll	Trailer	9	SLHR	Meritor	Trailer	13
A22S	Ingersoll	Trailer	9	T-11301	Meritor	Trailer	13
A24	Ingersoll	Trailer	9	T11311	Meritor	Trailer	13
A24P	Ingersoll	Trailer	9	T13	Meritor	Trailer	13
A26	Ingersoll	Trailer	9	T14	Meritor	Trailer	13
A26S	Ingersoll	Trailer	9	T14000	Meritor	Trailer	13
A45S	Ingersoll	Trailer	9	T17	Meritor	Trailer	13
A65S	Ingersoll	Trailer	9	T17000	Meritor	Trailer	13
DC19	Ingersoll	Trailer	9	T17029	Meritor	Trailer	13
DC22	Ingersoll	Trailer	9	T17127	Meritor	Trailer	13
DC23	Ingersoll	Trailer	9	T17129	Meritor	Trailer	13
DC24	Ingersoll	Trailer	9	T17227	Meritor	Trailer	13
F12	Ingersoll	Trailer	9	T17229	Meritor	Trailer	13
F19	Ingersoll	Trailer	9	T17237	Meritor	Trailer	13
F19H	Ingersoll	Trailer	9	T18	Meritor	Trailer	13
F19S	Ingersoll	Trailer	9	T18127	Meritor	Trailer	13
F22	Ingersoll	Trailer	9	T20	Meritor	Trailer	13
F22H	Ingersoll	Trailer	9	T2000	Meritor	Trailer	13
F22S	Ingersoll	Trailer	9	T-2067	Meritor	Trailer	13
F22T	Ingersoll	Trailer	9	T25	Meritor	Trailer	13
F23	Ingersoll	Trailer	9	TH Series	Meritor	Trailer	13
F23H	Ingersoll	Trailer	9	THD Series	Meritor	Trailer	13
F23S	Ingersoll	Trailer	9	TK Series	Meritor	Trailer	13
F24	Ingersoll	Trailer	9	TK4270	Meritor	Trailer	13
F24H	Ingersoll	Trailer	9	TK4670	Meritor	Trailer	13
F24S	Ingersoll	Trailer	9	TK6680	Meritor	Trailer	13
F24T	Ingersoll	Trailer	9	TKD Series	Meritor	Trailer	13
K250	KGI Limited	Trailer	10	TKL Series	Meritor	Trailer	13
KG225	KGI Limited	Trailer	10	TKLD	Meritor	Trailer	13
KB19	Kay-Brunner	Trailer	10	TKLD Series	Meritor	Trailer	13
KB4	Kay-Brunner	Trailer	10	TKN Series	Meritor	Trailer	13
KB5	Kay-Brunner	Trailer	10	TKN6270	Meritor	Trailer	13
KB6	Kay-Brunner	Trailer	10	TKN6570	Meritor	Trailer	13
KB7	Kay-Brunner	Trailer	10	TKN6610	Meritor	Trailer	13
KB8	Kay-Brunner	Trailer	10	TKN6670	Meritor	Trailer	13
KBS	Kay-Brunner	Trailer	10	TKNC Series	Meritor	Trailer	13
KBW	Kay-Brunner	Trailer	10	TKND	Meritor	Trailer	13
S37	Kay-Brunner	Trailer	10	TKP Series	Meritor	Trailer	13
T11	Kay-Brunner	Trailer	10	TL Series	Meritor	Trailer	13
T-11	Kay-Brunner	Trailer	10	TLD Series	Meritor	Trailer	13
T145	Kay-Brunner	Trailer	10	TM Series	Meritor	Trailer	13
T18W	Kay-Brunner	Trailer	11	TM20000	Meritor	Trailer	13
T21	Kay-Brunner	Trailer	11	TM22500	Meritor	Trailer	13
T27	Kay-Brunner	Trailer	11	TN Series	Meritor	Trailer	13

Axle numerical listing

Axle	Manufacturer	Section	Pg. no.	Axle	Manufacturer	Section	Pg. no.
TN4270	Meritor	Trailer	13	10000 lbs.	Prior	Trailer	18
TN4560	Meritor	Trailer	13	H1600	R.O.R.	Trailer	18
TN4570	Meritor	Trailer	13	TK Series	R.O.R.	Trailer	18
TN4610	Meritor	Trailer	13	TKL Series	R.O.R.	Trailer	18
TN4680	Meritor	Trailer	13	TL20000	R.O.R.	Trailer	18
TN6270	Meritor	Trailer	13	TM22000	R.O.R.	Trailer	18
TN6560	Meritor	Trailer	13	U20000	R.O.R.	Trailer	18
TN6570	Meritor	Trailer	13	UT2010P	R.O.R.	Trailer	18
TN6610	Meritor	Trailer	14	UT2010Q	R.O.R.	Trailer	18
TN6670	Meritor	Trailer	14	UT2070	R.O.R.	Trailer	18
TN6680	Meritor	Trailer	14	RHLS	Sauer	Trailer	19
TNC Series	Meritor	Trailer	14	RLZ10041	Sauer	Trailer	19
TND Series	Meritor	Trailer	14	RZ10041	Sauer	Trailer	19
TP Series	Meritor	Trailer	14	RZ14242	Sauer	Trailer	19
TP4670	Meritor	Trailer	14	16000 lbs.	Sauer (Otto)	Trailer	20
TP4680	Meritor	Trailer	14	20000 lbs.	Sauer (Otto)	Trailer	20
TP6670	Meritor	Trailer	14	22000 lbs.	Sauer (Otto)	Trailer	20
TP6680	Meritor	Trailer	14	23000 lbs.	Sauer (Otto)	Trailer	20
TP8670	Meritor	Trailer	14	209	Spencer	Trailer	20
TQ Series	Meritor	Trailer	14	309	Spencer	Trailer	20
TQ4270	Meritor	Trailer	14	408	Spencer	Trailer	20
TQ4670	Meritor	Trailer	14	409	Spencer	Trailer	20
TQC	Meritor	Trailer	14	509	Spencer	Trailer	20
TQD Series	Meritor	Trailer	14	20L	Spicer	Trailer	20
TR	Meritor	Trailer	14	20L-77	Spicer	Trailer	20
TR Series	Meritor	Trailer	14	21D	Spicer	Trailer	20
TR4560	Meritor	Trailer	14	22L	Spicer	Trailer	20
TR4670	Meritor	Trailer	14	22R	Spicer	Trailer	20
TR767	Meritor	Trailer	14	23L	Spicer	Trailer	20
TR8670	Meritor	Trailer	14	23L501	Spicer	Trailer	20
TR8870	Meritor	Trailer	14	23R	Spicer	Trailer	20
TR9670	Meritor	Trailer	14	24L	Spicer	Trailer	20
TR9870	Meritor	Trailer	14	25LD	Spicer	Trailer	20
TRD	Meritor	Trailer	14	25LD-501	Spicer	Trailer	20
TRD Series	Meritor	Trailer	14	25R	Spicer	Trailer	20
TT Series	Meritor	Trailer	14	25RD	Spicer	Trailer	20
TT9670	Meritor	Trailer	14	A	Spicer	Trailer	20
TT9870	Meritor	Trailer	14	A45	Spicer	Trailer	20
TU Series	Meritor	Trailer	14	A65	Spicer	Trailer	20
TW Series	Meritor	Trailer	14	B	Spicer	Trailer	20
TWVC	Meritor	Trailer	14	C	Spicer	Trailer	20
5B715M	Moss Gear	Trailer	16	C-07LA3	Spicer	Trailer	20
TM20000	Moss Gear	Trailer	16	C2	Spicer	Trailer	20
TM22500	Moss Gear	Trailer	16	CB	Spicer	Trailer	20
NU	Nabors	Trailer	16	CD	Spicer	Trailer	20
RA400	Navistar	Trailer	17	CD2	Spicer	Trailer	20
RA410	Navistar	Trailer	17	CE	Spicer	Trailer	20
RA411	Navistar	Trailer	17	D	Spicer	Trailer	20
RA417	Navistar	Trailer	17	D10	Spicer	Trailer	20
RA418	Navistar	Trailer	17	D14	Spicer	Trailer	20
RA420	Navistar	Trailer	17	D21	Spicer	Trailer	20
RA421	Navistar	Trailer	17	D22	Spicer	Trailer	20
RA422	Navistar	Trailer	17	DD21	Spicer	Trailer	20
RA423	Navistar	Trailer	17	DD22	Spicer	Trailer	20
RA424	Navistar	Trailer	17	DE	Spicer	Trailer	20
RA426	Navistar	Trailer	17	DH	Spicer	Trailer	20
RA429	Navistar	Trailer	17	DWL1	Spicer	Trailer	20
RA431	Navistar	Trailer	17	E	Spicer	Trailer	20
RA432	Navistar	Trailer	17	ED	Spicer	Trailer	20
RA437	Navistar	Trailer	17	EH	Spicer	Trailer	21
RA438	Navistar	Trailer	17	ESR225J	Spicer	Trailer	21
RA439	Navistar	Trailer	17	ESR225P	Spicer	Trailer	21
RA441	Navistar	Trailer	17	ESR230J	Spicer	Trailer	21
RA560	Navistar	Trailer	17	ESR230P	Spicer	Trailer	21
RA570	Navistar	Trailer	17	EST225J	Spicer	Trailer	21
RA571	Navistar	Trailer	17	EST225P	Spicer	Trailer	21
T18	Palmer	Trailer	18	EST230J	Spicer	Trailer	21

For in-text symbols, see page 5A.

Axle numerical listing

Axle	Manufacturer	Section	Pg. no.	Axle	Manufacturer	Section	Pg. no.
EST230P	Spicer	Trailer	21	A17S	Standard Forge	Trailer	23
ETA225D	Spicer	Trailer	21	A18S	Standard Forge	Trailer	23
ETA225J	Spicer	Trailer	21	A19	Standard Forge	Trailer	23
ETA230C	Spicer	Trailer	21	A19H	Standard Forge	Trailer	23
H	Spicer	Trailer	21	A19S	Standard Forge	Trailer	23
H25LD	Spicer	Trailer	21	A-20 Series	Standard Forge	Trailer	23
H25R	Spicer	Trailer	21	A20T	Standard Forge	Trailer	23
HD	Spicer	Trailer	21	A21	Standard Forge	Trailer	23
J	Spicer	Trailer	21	A-21 Series	Standard Forge	Trailer	23
J501	Spicer	Trailer	21	A21S	Standard Forge	Trailer	23
JE	Spicer	Trailer	21	A21T	Standard Forge	Trailer	23
JH	Spicer	Trailer	21	A-22	Standard Forge	Trailer	23
K14	Spicer	Trailer	21	A22S	Standard Forge	Trailer	23
K20	Spicer	Trailer	21	A22H	Standard Forge	Trailer	23
K21	Spicer	Trailer	21	A22S	Standard Forge	Trailer	23
K22	Spicer	Trailer	21	A24H	Standard Forge	Trailer	23
K24	Spicer	Trailer	21	A24S	Standard Forge	Trailer	23
K25	Spicer	Trailer	21	A25	Standard Forge	Trailer	23
K30	Spicer	Trailer	21	A25S	Standard Forge	Trailer	23
K45	Spicer	Trailer	21	A26	Standard Forge	Trailer	23
K65	Spicer	Trailer	21	A26S	Standard Forge	Trailer	23
KTT21	Spicer	Trailer	21	A40	Standard Forge	Trailer	23
LA15	Spicer	Trailer	21	A40S	Standard Forge	Trailer	23
N	Spicer	Trailer	21	A45S	Standard Forge	Trailer	23
ND	Spicer	Trailer	21	A50	Standard Forge	Trailer	23
P	Spicer	Trailer	21	A60	Standard Forge	Trailer	23
P22	Spicer	Trailer	21	A60S	Standard Forge	Trailer	23
R900	Spicer	Trailer	21	A65	Standard Forge	Trailer	23
T	Spicer	Trailer	21	A65S	Standard Forge	Trailer	23
T11A	Spicer	Trailer	21	A700	Standard Forge	Trailer	23
T14	Spicer	Trailer	21	A8.5S	Standard Forge	Trailer	23
T14-4500	Spicer	Trailer	21	A900	Standard Forge	Trailer	23
T14-4516	Spicer	Trailer	21	AL17S	Standard Forge	Trailer	23
T14-4519	Spicer	Trailer	21	AT20T	Standard Forge	Trailer	23
T14-4545	Spicer	Trailer	21	DA11S	Standard Forge	Trailer	23
T14-4566	Spicer	Trailer	21	DA13S	Standard Forge	Trailer	23
T14-4575	Spicer	Trailer	21	DA13X	Standard Forge	Trailer	23
T14-4576	Spicer	Trailer	21	DA15S	Standard Forge	Trailer	23
T14D	Spicer	Trailer	21	DA175	Standard Forge	Trailer	23
T18	Spicer	Trailer	21	DA17S	Standard Forge	Trailer	23
T18A	Spicer	Trailer	21	DA19H	Standard Forge	Trailer	23
T18B	Spicer	Trailer	21	DA19S	Standard Forge	Trailer	23
T18C	Spicer	Trailer	21	K14	Standard Forge	Trailer	23
T18D-226	Spicer	Trailer	21	K21	Standard Forge	Trailer	23
T20L	Spicer	Trailer	21	K25	Standard Forge	Trailer	23
T20L-77	Spicer	Trailer	21	K30	Standard Forge	Trailer	23
T21	Spicer	Trailer	21	S700	Standard Forge	Trailer	23
T21D	Spicer	Trailer	21	S900	Standard Forge	Trailer	23
T22L	Spicer	Trailer	21	SD2200AB	Standard Forge	Trailer	23
T23L	Spicer	Trailer	21	STA13	Standard Forge	Trailer	23
T24L	Spicer	Trailer	21	STA13S	Standard Forge	Trailer	23
T25	Spicer	Trailer	21	T8.5	Standard Forge	Trailer	23
T25-6000	Spicer	Trailer	21	T8.5S	Standard Forge	Trailer	23
T9	Spicer	Trailer	21	T85	Standard Forge	Trailer	23
T9AD	Spicer	Trailer	21	T85S	Standard Forge	Trailer	23
T-9D	Spicer	Trailer	21	TA13S	Standard Forge	Trailer	23
W	Spicer	Trailer	21	TA16S-60	Standard Forge	Trailer	23
X1A	Spicer	Trailer	21	TA16S-60 Series	Standard Forge	Trailer	23
408	Standard Forge	Trailer	23	TA17	Standard Forge	Trailer	23
A10S	Standard Forge	Trailer	23	TA17S	Standard Forge	Trailer	23
A11S	Standard Forge	Trailer	23	TA20T	Standard Forge	Trailer	23
A135	Standard Forge	Trailer	23	TA21T	Standard Forge	Trailer	23
A13S	Standard Forge	Trailer	23	TA25	Standard Forge	Trailer	23
A15	Standard Forge	Trailer	23	TA26	Standard Forge	Trailer	23
A15S	Standard Forge	Trailer	23	TTA13S	Standard Forge	Trailer	23
A16	Standard Forge	Trailer	23	TTA17	Standard Forge	Trailer	23
A-16 Series	Standard Forge	Trailer	23	TTA17S	Standard Forge	Trailer	23

Axle numerical listing

Axle	Manufacturer	Section	Pg. no.	Axle	Manufacturer	Section	Pg. no.
EA11ED	Sudisa	Trailer	25	14000	Coleman	Front	30
EA11EM	Sudisa	Trailer	25	9000	Coleman	Front	30
EA11TM	Sudisa	Trailer	25	SD12	Coleman	Front	30
EA12EF	Sudisa	Trailer	25	SD17	Coleman	Front	30
EA12TD	Sudisa	Trailer	25	SD9	Coleman	Front	30
EA12TF	Sudisa	Trailer	25	11000 lbs.	Dodge	Front	30
EA9EM	Sudisa	Trailer	25	12000 lbs.	Dodge	Front	30
ET9M	Sudisa	Trailer	25	15000 lbs.	Dodge	Front	30
23000 lbs.	Trailor	Trailer	25	16000 lbs.	Dodge	Front	30
TA-175	Trunnion	Trailer	26	4000 lbs.	Dodge	Front	30
18000 lbs.	Utility Equip	Trailer	26	5000 lbs.	Dodge	Front	30
F7	Volvo	Trailer	26	5500 lbs.	Dodge	Front	30
F3W-1200	Westport	Trailer	27	7000 lbs.	Dodge	Front	30
F3W-1600	Westport	Trailer	27	7500 lbs.	Dodge	Front	30
F5W-0900	Westport	Trailer	27	9000 lbs.	Dodge	Front	30
F6W-1600	Westport	Trailer	27	FA-40	Dodge	Front	30
WS16	Westport	Trailer	27	FA-50	Dodge	Front	30
TKN	White	Trailer	27	FA-55	Dodge	Front	30
TQD	White	Trailer	27	FA-70	Dodge	Front	30
37P	ACF Truck	Front	28	BOGIE AXLE	Eagle (Transit Bus)	Front	31
37PA	ACF Truck	Front	28	FRONT AXLE	Eagle (Transit Bus)	Front	31
37PB	ACF Truck	Front	28	79F	Eaton	Front	32
37PBS	ACF Truck	Front	28	82F	Eaton	Front	32
41S	ACF Truck	Front	28	E10001	Eaton	Front	32
45S	ACF Truck	Front	28	E20001	Eaton	Front	32
C27	ACF Truck	Front	28	EAF18F3	Eaton	Front	32
C27B	ACF Truck	Front	28	EFA12F3	Eaton	Front	32
C31	ACF Truck	Front	28	EFA12F4	Eaton	Front	32
C31B	ACF Truck	Front	28	EFA13F3	Eaton	Front	32
C36	ACF Truck	Front	28	EFA13F4	Eaton	Front	32
C40	ACF Truck	Front	28	EFA13F5	Eaton	Front	32
C44	ACF Truck	Front	28	EFA18F3	Eaton	Front	32
C51	ACF Truck	Front	28	EFA20F4	Eaton	Front	32
IC41	ACF Truck	Front	28	EFA22T2	Eaton	Front	32
IC41A	ACF Truck	Front	28	EFA22T5	Eaton	Front	32
SU37	ACF Truck	Front	28	EFA24T2	Eaton	Front	32
T44	ACF Truck	Front	28	EFA24T5	Eaton	Front	32
T45	ACF Truck	Front	28	F3A	Eaton	Front	32
T46	ACF Truck	Front	28	F3D	Eaton	Front	32
TC44	ACF Truck	Front	28	F4A	Eaton	Front	32
FC900	ArvinMeritor (School Bus)	Front	28	F4D	Eaton	Front	32
FC931	ArvinMeritor (School Bus)	Front	28	FE-10	Eaton	Front	32
FD900	ArvinMeritor (School Bus)	Front	28	FE-10A	Eaton	Front	32
FD921	ArvinMeritor (School Bus)	Front	28	FE-10A43	Eaton	Front	32
FD931	ArvinMeritor (School Bus)	Front	28	FE-11	Eaton	Front	32
FD961	ArvinMeritor (School Bus)	Front	28	FF	Eaton	Front	32
FE900	ArvinMeritor (School Bus)	Front	28	FX-1	Eaton	Front	32
FE921	ArvinMeritor (School Bus)	Front	28	FY-1	Eaton	Front	32
FE931	ArvinMeritor (School Bus)	Front	28	22	FWD	Front	33
FF900	ArvinMeritor (School Bus)	Front	28	22A	FWD	Front	33
FF921	ArvinMeritor (School Bus)	Front	28	22HD	FWD	Front	33
FF931	ArvinMeritor (School Bus)	Front	28	2621	FWD	Front	33
FF932	ArvinMeritor (School Bus)	Front	28	2A	FWD	Front	33
FF933	ArvinMeritor (School Bus)	Front	28	2B	FWD	Front	33
FF934	ArvinMeritor (School Bus)	Front	28	2C	FWD	Front	33
FF941	ArvinMeritor (School Bus)	Front	28	2SC	FWD	Front	33
FF942	ArvinMeritor (School Bus)	Front	28	2SCB	FWD	Front	33
FF943	ArvinMeritor (School Bus)	Front	28	2SDC	FWD	Front	33
FF961	ArvinMeritor (School Bus)	Front	28	32	FWD	Front	33
FG941	ArvinMeritor (School Bus)	Front	28	32A	FWD	Front	33
FG943	ArvinMeritor (School Bus)	Front	28	32R	FWD	Front	33
F-361	Clark	Front	29	ND22	FWD	Front	33
F-362	Clark	Front	29	ND-32	FWD	Front	33
F-458	Clark	Front	29	ND-32A	FWD	Front	33
F-459	Clark	Front	29	RS	FWD Truck	Front	33
FDS-2000	Clark	Front	29	12000	Fabco	Front	33
FDS-20000	Clark	Front	29	13000	Fabco	Front	33

For in-text symbols, see page 5A.

Axle numerical listing

Axle	Manufacturer	Section	Pg. no.	Axle	Manufacturer	Section	Pg. no.
SDA12.....	Fabco.....	Front.....	33	X.....	Ford.....	Front.....	35
SDA16.....	Fabco.....	Front.....	33	Y.....	Ford.....	Front.....	35
SDA18.....	Fabco.....	Front.....	33	Z.....	Ford.....	Front.....	35
SDA20.....	Fabco.....	Front.....	33	1.....	Ford (School Bus).....	Front.....	39
SDA21.....	Fabco.....	Front.....	33	2.....	Ford (School Bus).....	Front.....	39
SDA23.....	Fabco.....	Front.....	33	3.....	Ford (School Bus).....	Front.....	39
SDA9.....	Fabco.....	Front.....	33	4.....	Ford (School Bus).....	Front.....	39
17101.....	Flxible (Transit Bus).....	Front.....	34	5.....	Ford (School Bus).....	Front.....	39
1.....	Ford.....	Front.....	34	7.....	Ford (School Bus).....	Front.....	39
10000 lbs.....	Ford.....	Front.....	34	8.....	Ford (School Bus).....	Front.....	39
10800 lbs.....	Ford.....	Front.....	34	A.....	Ford (School Bus).....	Front.....	39
12000.....	Ford.....	Front.....	34	B.....	Ford (School Bus).....	Front.....	39
13000 lbs.....	Ford.....	Front.....	34	C.....	Ford (School Bus).....	Front.....	39
13100 lbs.....	Ford.....	Front.....	34	D.....	Ford (School Bus).....	Front.....	39
14600 lbs.....	Ford.....	Front.....	34	E.....	Ford (School Bus).....	Front.....	39
16000.....	Ford.....	Front.....	34	F.....	Ford (School Bus).....	Front.....	39
18000.....	Ford.....	Front.....	34	G.....	Ford (School Bus).....	Front.....	39
2.....	Ford.....	Front.....	34	J.....	Ford (School Bus).....	Front.....	39
20000.....	Ford.....	Front.....	34	K.....	Ford (School Bus).....	Front.....	39
3.....	Ford.....	Front.....	34	L.....	Ford (School Bus).....	Front.....	39
4.....	Ford.....	Front.....	34	M.....	Ford (School Bus).....	Front.....	39
5.....	Ford.....	Front.....	34	N.....	Ford (School Bus).....	Front.....	39
5000 lbs.....	Ford.....	Front.....	34	O.....	Ford (School Bus).....	Front.....	39
5500 lbs.....	Ford.....	Front.....	34	P.....	Ford (School Bus).....	Front.....	39
5(Cargo).....	Ford.....	Front.....	34	U.....	Ford (School Bus).....	Front.....	39
6.....	Ford.....	Front.....	34	V.....	Ford (School Bus).....	Front.....	39
6000.....	Ford.....	Front.....	34	W.....	Ford (School Bus).....	Front.....	39
7.....	Ford.....	Front.....	34	X.....	Ford (School Bus).....	Front.....	39
7000.....	Ford.....	Front.....	34	Y.....	Ford (School Bus).....	Front.....	39
7000 lbs. HYD.....	Ford.....	Front.....	34	585F.....	GMC.....	Front.....	39
7500.....	Ford.....	Front.....	34	586F.....	GMC.....	Front.....	39
7500 lbs. HYD.....	Ford.....	Front.....	34	F040.....	GMC.....	Front.....	39
8.....	Ford.....	Front.....	34	F045.....	GMC.....	Front.....	39
8000 (Cargo).....	Ford.....	Front.....	34	F047.....	GMC.....	Front.....	39
8000 lbs.....	Ford.....	Front.....	34	F050.....	GMC.....	Front.....	39
9 (8000 lbs.).....	Ford.....	Front.....	34	F055.....	GMC.....	Front.....	39
9 (15000 lbs.).....	Ford.....	Front.....	35	F070.....	GMC.....	Front.....	39
9000 (Cargo).....	Ford.....	Front.....	35	F070D.....	GMC.....	Front.....	39
9000 lbs.....	Ford.....	Front.....	35	F090.....	GMC.....	Front.....	39
9W.....	Ford.....	Front.....	35	F110.....	GMC.....	Front.....	39
A.....	Ford.....	Front.....	35	F120.....	GMC.....	Front.....	39
B.....	Ford.....	Front.....	35	F120D.....	GMC.....	Front.....	39
C.....	Ford.....	Front.....	35	F150.....	GMC.....	Front.....	39
D.....	Ford.....	Front.....	35	F160.....	GMC.....	Front.....	39
E.....	Ford.....	Front.....	35	F460.....	GMC.....	Front.....	39
F.....	Ford.....	Front.....	35	F462.....	GMC.....	Front.....	39
F (Cargo).....	Ford.....	Front.....	35	F464.....	GMC.....	Front.....	39
G.....	Ford.....	Front.....	35	F466.....	GMC.....	Front.....	39
H.....	Ford.....	Front.....	35	FD070.....	GMC.....	Front.....	39
I.....	Ford.....	Front.....	35	FD931.....	GMC.....	Front.....	40
J.....	Ford.....	Front.....	35	FE900.....	GMC.....	Front.....	40
K.....	Ford.....	Front.....	35	FE921.....	GMC.....	Front.....	40
L.....	Ford.....	Front.....	35	FE970.....	GMC.....	Front.....	40
M.....	Ford.....	Front.....	35	FF901.....	GMC.....	Front.....	40
N.....	Ford.....	Front.....	35	FF921.....	GMC.....	Front.....	40
N (Cargo).....	Ford.....	Front.....	35	FF931.....	GMC.....	Front.....	40
O.....	Ford.....	Front.....	35	FF932.....	GMC.....	Front.....	40
P.....	Ford.....	Front.....	35	FF933.....	GMC.....	Front.....	40
Q.....	Ford.....	Front.....	35	FF941.....	GMC.....	Front.....	40
R.....	Ford.....	Front.....	35	FF971.....	GMC.....	Front.....	40
S.....	Ford.....	Front.....	35	FG943.....	GMC.....	Front.....	40
T.....	Ford.....	Front.....	35	FH0.....	GMC.....	Front.....	40
TWIN I-BEAM.....	Ford.....	Front.....	35	FH033.....	GMC.....	Front.....	40
U.....	Ford.....	Front.....	35	FH070.....	GMC.....	Front.....	40
V.....	Ford.....	Front.....	35	FH4.....	GMC.....	Front.....	40
V.....	Ford.....	Front.....	35	FHD065.....	GMC.....	Front.....	40
W.....	Ford.....	Front.....	35	FHD070.....	GMC.....	Front.....	40

Axle numerical listing

Axle	Manufacturer	Section	Pg. no.	Axle	Manufacturer	Section	Pg. no.
FL1	GMC	Front	40	FVR	Isuzu	Front	45
FL2	GMC	Front	40	NPR	Isuzu	Front	45
FL3	GMC	Front	40	NPR-HD	Isuzu	Front	45
FL4	GMC	Front	40	NQR	Isuzu	Front	45
FL901	GMC	Front	40	NRR	Isuzu	Front	45
FL931	GMC	Front	40	10-14	Iveco	Front	45
FL941	GMC	Front	40	110	Iveco	Front	45
FS110	GMC	Front	40	120TA	Iveco	Front	45
FS7 (AIR)	GMC	Front	40	12-11	Iveco	Front	45
FS7 (HYDRAULIC)	GMC	Front	40	12-12	Iveco	Front	45
IFS030	GMC	Front	40	12-14	Iveco	Front	45
IFS035	GMC	Front	40	1514	Iveco	Front	45
IFS050	GMC	Front	40	1514AS	Iveco	Front	45
IFS055	GMC	Front	40	1814	Iveco	Front	45
IFS070	GMC	Front	40	1816	Iveco	Front	45
IFS090	GMC	Front	40	220	Iveco	Front	45
IFS110	GMC	Front	40	220T	Iveco	Front	45
RTS11	GMC	Front	40	230T	Iveco	Front	45
SD12	GMC	Front	40	23-16	Iveco	Front	45
SD9	GMC	Front	40	335T	Iveco	Front	45
W4	GMC	Front	40	340T	Iveco	Front	45
W4L	GMC	Front	40	435T	Iveco	Front	45
W6	GMC	Front	40	450T	Iveco	Front	45
W7	GMC	Front	40	Z100	Iveco	Front	45
W7M	GMC	Front	40	Z110	Iveco	Front	45
68853	GMC (Transit Bus)	Front	42	Z120	Iveco	Front	45
40 Series	GMC Truck	Front	43	Z120TA	Iveco	Front	45
4100 Series	GMC Truck	Front	43	Z220	Iveco	Front	45
4400 Series	GMC Truck	Front	43	Z220T	Iveco	Front	45
4500 Series	GMC Truck	Front	43	Z230	Iveco	Front	45
6700 Series	GMC Truck	Front	43	Z230T	Iveco	Front	45
FH033	GMC Truck	Front	43	Z340T	Iveco	Front	45
FL1	GMC Truck	Front	43	Z450T	Iveco	Front	45
FL2	GMC Truck	Front	43	A20	Mack	Front	46
FS7 (Hyd.)	GMC Truck	Front	43	A20H	Mack	Front	46
Transmode	GMC Truck	Front	43	A30	Mack	Front	46
W4	GMC Truck	Front	43	A30H	Mack	Front	46
F070	GMC/Chev (School Bus)	Front	43	A40	Mack	Front	46
F070D	GMC/Chev (School Bus)	Front	43	A40H	Mack	Front	46
F090	GMC/Chev (School Bus)	Front	43	A40T	Mack	Front	46
F110	GMC/Chev (School Bus)	Front	43	A40X	Mack	Front	46
F120	GMC/Chev (School Bus)	Front	43	A50	Mack	Front	46
F120D	GMC/Chev (School Bus)	Front	43	A50H	Mack	Front	46
FE900	GMC/Chev (School Bus)	Front	43	A50S	Mack	Front	46
FF932	GMC/Chev (School Bus)	Front	43	A50T	Mack	Front	46
FA141S	Hino	Front	44	A51H	Mack	Front	46
FA142S	Hino	Front	44	A51S	Mack	Front	46
FA143S	Hino	Front	44	A51T	Mack	Front	46
FB142S	Hino	Front	44	A54	Mack	Front	46
FB143S	Hino	Front	44	A54T	Mack	Front	46
FB144S	Hino	Front	44	B20P	Mack	Front	46
FE177S	Hino	Front	44	B30P	Mack	Front	46
FE194S	Hino	Front	44	B30T	Mack	Front	46
FE195S	Hino	Front	44	B30X	Mack	Front	46
FF192S	Hino	Front	44	B42	Mack	Front	46
FF193S	Hino	Front	44	B42P	Mack	Front	46
FF194S	Hino	Front	44	B42S	Mack	Front	46
FF195S	Hino	Front	44	B42ST	Mack	Front	46
FF197S	Hino	Front	44	B42SX	Mack	Front	46
FF198S	Hino	Front	44	B42T	Mack	Front	46
FG223S	Hino	Front	44	B42X	Mack	Front	46
FG225S	Hino	Front	44	B50T	Mack	Front	46
A	Ikarus-Crown (Transit Bus)	Front	44	B60LT	Mack	Front	46
C	Ikarus-Crown (Transit Bus)	Front	44	B60X	Mack	Front	46
FRR	Isuzu	Front	45	D30P	Mack	Front	46
FSR	Isuzu	Front	45	FA-1000	Mack	Front	46
FTR	Isuzu	Front	45	FA-1001	Mack	Front	46

For in-text symbols, see page 5A.

Axle numerical listing

Axle	Manufacturer	Section	Pg. no.	Axle	Manufacturer	Section	Pg. no.
FA-1002	Mack	Front	46	FA600	Mack	Front	46
FA-1003	Mack	Front	46	FA6000	Mack	Front	46
FA-18	Mack	Front	46	FA6001	Mack	Front	47
FA20	Mack	Front	46	FA600C	Mack	Front	47
FA24	Mack	Front	46	FA601	Mack	Front	47
FA25	Mack	Front	46	FA6011	Mack	Front	47
FA25A	Mack	Front	46	FA601C	Mack	Front	47
FA26	Mack	Front	46	FA604	Mack	Front	47
FA28	Mack	Front	46	FA6041	Mack	Front	47
FA300	Mack	Front	46	FA6042	Mack	Front	47
FA301	Mack	Front	46	FA6043	Mack	Front	47
FA36	Mack	Front	46	FA6044	Mack	Front	47
FA37	Mack	Front	46	FA612	Mack	Front	47
FA400	Mack	Front	46	FA614	Mack	Front	47
FA405	Mack	Front	46	FA616	Mack	Front	47
FA408	Mack	Front	46	FA616D	Mack	Front	47
FA44	Mack	Front	46	FA617	Mack	Front	47
FA44A	Mack	Front	46	FA617C	Mack	Front	47
FA44B	Mack	Front	46	FA617D	Mack	Front	47
FA45	Mack	Front	46	FA619	Mack	Front	47
FA45A	Mack	Front	46	FA700	Mack	Front	47
FA45B	Mack	Front	46	FA701	Mack	Front	47
FA46	Mack	Front	46	FA702	Mack	Front	47
FA500	Mack	Front	46	FA-704	Mack	Front	47
FA501	Mack	Front	46	FA-900	Mack	Front	47
FA505	Mack	Front	46	FA-901	Mack	Front	47
FA5051	Mack	Front	46	FAD-605	Mack	Front	47
FA507	Mack	Front	46	FAFW5370	Mack	Front	47
FA5071	Mack	Front	46	FAFW537C	Mack	Front	47
FA508	Mack	Front	46	FAFW537C-D	Mack	Front	47
FA509	Mack	Front	46	FAFW539	Mack	Front	47
FA510	Mack	Front	46	FAL5051	Mack	Front	47
FA511	Mack	Front	46	FAL5071	Mack	Front	47
FA5111	Mack	Front	46	FAL522	Mack	Front	47
FA512	Mack	Front	46	FAL5221	Mack	Front	47
FA513	Mack	Front	46	FAL523	Mack	Front	47
FA5131	Mack	Front	46	FAL532	Mack	Front	47
FA514	Mack	Front	46	FAL5321	Mack	Front	47
FA5141	Mack	Front	46	FAL535	Mack	Front	47
FA517	Mack	Front	46	FAN5071	Mack	Front	47
FA518	Mack	Front	46	FAN534	Mack	Front	47
FA519	Mack	Front	46	FAN5341	Mack	Front	47
FA522	Mack	Front	46	FAN535	Mack	Front	47
FA5221	Mack	Front	46	FAN5351	Mack	Front	47
FA523	Mack	Front	46	FAN537C-D	Mack	Front	47
FA5231	Mack	Front	46	FAN537C-W-D	Mack	Front	47
FA532	Mack	Front	46	FANL535	Mack	Front	47
FA5321	Mack	Front	46	FANL5351	Mack	Front	47
FA534	Mack	Front	46	FAR12	Mack	Front	47
FA5341	Mack	Front	46	FAR-9.5	Mack	Front	47
FA-534C-W	Mack	Front	46	FAR95	Mack	Front	47
FA534W	Mack	Front	46	FAS-491	Mack	Front	47
FA535	Mack	Front	46	FAS-605	Mack	Front	47
FA5351	Mack	Front	46	FAS-6051	Mack	Front	47
FA535C	Mack	Front	46	FAW-10.5	Mack	Front	47
FA-535C-W	Mack	Front	46	FAW-12	Mack	Front	47
FA535N	Mack	Front	46	FAW14.3	Mack	Front	47
FA535W	Mack	Front	46	FAW-14.3	Mack	Front	47
FA536	Mack	Front	46	FAW143	Mack	Front	47
FA537	Mack	Front	46	FAW18	Mack	Front	47
FA5371	Mack	Front	46	FAW20	Mack	Front	47
FA-537C-W-D	Mack	Front	46	FAW535	Mack	Front	47
FA56	Mack	Front	46	FAW535C	Mack	Front	47
FA561	Mack	Front	46	FAW536	Mack	Front	47
FA562	Mack	Front	46	FAW5361	Mack	Front	47
FA57	Mack	Front	46	FAW5361C	Mack	Front	47
FA571	Mack	Front	46	FAW536C	Mack	Front	47

Axle numerical listing

Axle	Manufacturer	Section	Pg. no.	Axle	Manufacturer	Section	Pg. no.
FAW536C-W-D	Mack	Front	47	M904	Marmon-Herrington	Front	51
FAW536D	Mack	Front	47	MH440-4	Marmon-Herrington	Front	51
FAW536W	Mack	Front	47	MH440-6	Marmon-Herrington	Front	51
FAW537	Mack	Front	47	MH555-4	Marmon-Herrington	Front	51
FAW5371	Mack	Front	47	MH555-6	Marmon-Herrington	Front	51
FAW537C	Mack	Front	47	MH610-4	Marmon-Herrington	Front	51
FAW-537C-D	Mack	Front	47	MH610A-4	Marmon-Herrington	Front	51
FAW537D	Mack	Front	47	MH625-4	Marmon-Herrington	Front	51
FAW537W	Mack	Front	47	MH630-4	Marmon-Herrington	Front	51
FAW538	Mack	Front	47	Q	Marmon-Herrington	Front	51
FAW538C	Mack	Front	47	R32-4	Marmon-Herrington	Front	51
FAW-6044	Mack	Front	47	R4-4	Marmon-Herrington	Front	51
FAW612C	Mack	Front	47	R5-4	Marmon-Herrington	Front	51
FAW616	Mack	Front	47	R6-4	Marmon-Herrington	Front	51
FAW616D	Mack	Front	47	TC40	Marmon-Herrington	Front	51
FAW617	Mack	Front	47	TC44	Marmon-Herrington	Front	51
FAW617C	Mack	Front	47	TC48	Marmon-Herrington	Front	51
FAW617C-D	Mack	Front	47	TC49	Marmon-Herrington	Front	51
FAW617D	Mack	Front	47	TC50	Marmon-Herrington	Front	51
FAW618	Mack	Front	47	V	Marmon-Herrington	Front	51
FAW619	Mack	Front	47	W	Marmon-Herrington	Front	51
FAW619W	Mack	Front	47	L 1013	Mercedes-Benz	Front	52
FAWL-12	Mack	Front	47	L 1113	Mercedes-Benz	Front	52
H633LT	Mack	Front	47	L 1116	Mercedes-Benz	Front	52
H633ST	Mack	Front	47	L 1117	Mercedes-Benz	Front	52
H633T	Mack	Front	47	L 1316	Mercedes-Benz	Front	52
H63ST	Mack	Front	47	L 1317	Mercedes-Benz	Front	52
H63T	Mack	Front	47	L 1319	Mercedes-Benz	Front	52
LJ	Mack	Front	47	L 1418	Mercedes-Benz	Front	52
LJT	Mack	Front	47	LS 1316	Mercedes-Benz	Front	52
LJX	Mack	Front	47	LS 1418	Mercedes-Benz	Front	52
MS200	Mack Midliner	Front	50	14000	Meritor	Front	53
MS250	Mack Midliner	Front	50	16000	Meritor	Front	53
MS300	Mack Midliner	Front	50	16600	Meritor	Front	53
13000 lbs.	Magirus	Front	50	16601	Meritor	Front	53
160A11FL	Magirus Truck	Front	51	16602	Meritor	Front	53
160A13FL	Magirus Truck	Front	51	16608	Meritor	Front	53
200A13FL	Magirus Truck	Front	51	16612	Meritor	Front	53
200A13FS	Magirus Truck	Front	51	16613	Meritor	Front	53
C6M5	Marmon-Herrington	Front	51	16616	Meritor	Front	53
C6M6	Marmon-Herrington	Front	51	16618	Meritor	Front	53
CM5	Marmon-Herrington	Front	51	16800	Meritor	Front	53
CM504	Marmon-Herrington	Front	51	16800W	Meritor	Front	53
CM6	Marmon-Herrington	Front	51	16801	Meritor	Front	53
CM604	Marmon-Herrington	Front	51	16801W	Meritor	Front	53
CM704	Marmon-Herrington	Front	51	1689	Meritor	Front	53
CM754	Marmon-Herrington	Front	51	16900	Meritor	Front	53
CM756	Marmon-Herrington	Front	51	16901	Meritor	Front	53
CM804	Marmon-Herrington	Front	51	16901W	Meritor	Front	53
CM904	Marmon-Herrington	Front	51	16902	Meritor	Front	53
DSD500-6	Marmon-Herrington	Front	51	16902W	Meritor	Front	53
DSD600-6	Marmon-Herrington	Front	51	16903	Meritor	Front	53
DSD800-6	Marmon-Herrington	Front	51	16903W	Meritor	Front	53
DVL-4	Marmon-Herrington	Front	51	16905	Meritor	Front	53
LD6-4	Marmon-Herrington	Front	51	16905W	Meritor	Front	53
LD6P-4	Marmon-Herrington	Front	51	16910	Meritor	Front	53
LD7-4	Marmon-Herrington	Front	51	1692	Meritor	Front	53
M104-4	Marmon-Herrington	Front	51	16920	Meritor	Front	53
M254	Marmon-Herrington	Front	51	16920W	Meritor	Front	53
M354	Marmon-Herrington	Front	51	1693	Meritor	Front	53
M504	Marmon-Herrington	Front	51	16930	Meritor	Front	53
M604	Marmon-Herrington	Front	51	16930W	Meritor	Front	53
M704	Marmon-Herrington	Front	51	16931	Meritor	Front	53
M754	Marmon-Herrington	Front	51	16931W	Meritor	Front	53
M756	Marmon-Herrington	Front	51	2600	Meritor	Front	53
M804	Marmon-Herrington	Front	51	26060	Meritor	Front	53
M806	Marmon-Herrington	Front	51	26061	Meritor	Front	53

For in-text symbols, see page 5A.

Axle numerical listing

Axle	Manufacturer	Section	Pg. no.	Axle	Manufacturer	Section	Pg. no.
26062	Meritor	Front	53	31104	Meritor	Front	53
26063	Meritor	Front	53	31105	Meritor	Front	53
26065	Meritor	Front	53	31116	Meritor	Front	53
2650	Meritor	Front	53	32500	Meritor	Front	53
2652	Meritor	Front	53	32501	Meritor	Front	53
2652P	Meritor	Front	53	32502	Meritor	Front	53
2653	Meritor	Front	53	32504	Meritor	Front	53
2653P	Meritor	Front	53	32505	Meritor	Front	53
2658	Meritor	Front	53	32506	Meritor	Front	53
2660	Meritor	Front	53	32508	Meritor	Front	53
2661	Meritor	Front	53	32509	Meritor	Front	53
2662	Meritor	Front	53	32514	Meritor	Front	53
2663	Meritor	Front	53	32515	Meritor	Front	53
2664	Meritor	Front	53	32518	Meritor	Front	53
2665	Meritor	Front	53	32519	Meritor	Front	53
2666	Meritor	Front	53	32520	Meritor	Front	53
2668	Meritor	Front	53	32521	Meritor	Front	53
2700	Meritor	Front	53	32550	Meritor	Front	53
27000	Meritor	Front	53	32550H	Meritor	Front	53
27050	Meritor	Front	53	32550TW	Meritor	Front	53
27052	Meritor	Front	53	32552	Meritor	Front	53
27054	Meritor	Front	53	32553	Meritor	Front	53
27060	Meritor	Front	53	32556	Meritor	Front	53
27061	Meritor	Front	53	F2090	Meritor	Front	53
27062	Meritor	Front	53	F2090H	Meritor	Front	53
27062A	Meritor	Front	53	F2090H73	Meritor	Front	53
27063	Meritor	Front	53	F2090W	Meritor	Front	53
27070	Meritor	Front	53	F2090W73	Meritor	Front	53
27071	Meritor	Front	53	F2094	Meritor	Front	53
27072	Meritor	Front	53	F233	Meritor	Front	53
27450	Meritor	Front	53	F235	Meritor	Front	53
27451	Meritor	Front	53	F3100CW	Meritor	Front	53
27452	Meritor	Front	53	F3100W	Meritor	Front	53
27454	Meritor	Front	53	F3200W	Meritor	Front	53
27460	Meritor	Front	53	F409CW	Meritor	Front	53
27461	Meritor	Front	53	F460	Meritor	Front	53
27462	Meritor	Front	53	F462	Meritor	Front	53
27462A	Meritor	Front	53	F464	Meritor	Front	53
27463	Meritor	Front	53	F466	Meritor	Front	53
27463A	Meritor	Front	53	F7900	Meritor	Front	53
27465	Meritor	Front	53	F7900N	Meritor	Front	54
27465A	Meritor	Front	53	F7901	Meritor	Front	54
27620	Meritor	Front	53	F7910	Meritor	Front	54
2770	Meritor	Front	53	FC900	Meritor	Front	54
2771	Meritor	Front	53	FC900H	Meritor	Front	54
2774	Meritor	Front	53	FC900N	Meritor	Front	54
2775	Meritor	Front	53	FC900TW	Meritor	Front	54
2776	Meritor	Front	53	FC901	Meritor	Front	54
2777	Meritor	Front	53	FC901H	Meritor	Front	54
30000	Meritor	Front	53	FC901N	Meritor	Front	54
30003	Meritor	Front	53	FC901TW	Meritor	Front	54
30004	Meritor	Front	53	FC903	Meritor	Front	54
30012	Meritor	Front	53	FC921	Meritor	Front	54
30020	Meritor	Front	53	FC931	Meritor	Front	54
30023	Meritor	Front	53	FC931N	Meritor	Front	54
30062	Meritor	Front	53	FC941	Meritor	Front	54
30063	Meritor	Front	53	FD208	Meritor	Front	54
30064	Meritor	Front	53	FD209	Meritor	Front	54
31007	Meritor	Front	53	FD211	Meritor	Front	54
31008	Meritor	Front	53	FD215	Meritor	Front	54
31009	Meritor	Front	53	FD219	Meritor	Front	54
31013	Meritor	Front	53	FD900	Meritor	Front	54
31015	Meritor	Front	53	FD900DPA	Meritor	Front	54
31018	Meritor	Front	53	FD900DPH	Meritor	Front	54
31020	Meritor	Front	53	FD900H	Meritor	Front	54
31041	Meritor	Front	53	FD900N	Meritor	Front	54
31100	Meritor	Front	53	FD900P	Meritor	Front	54

Axle numerical listing

Axle	Manufacturer	Section	Pg. no.	Axle	Manufacturer	Section	Pg. no.
FD900TW	Meritor	Front	54	FF930	Meritor	Front	54
FD900W	Meritor	Front	54	FF931	Meritor	Front	54
FD901	Meritor	Front	54	FF931A	Meritor	Front	54
FD901DPH	Meritor	Front	54	FF931P	Meritor	Front	54
FD901H	Meritor	Front	54	FF931TW	Meritor	Front	54
FD901P	Meritor	Front	54	FF932	Meritor	Front	54
FD901TW	Meritor	Front	54	FF933	Meritor	Front	54
FD903	Meritor	Front	54	FF934	Meritor	Front	54
FD921	Meritor	Front	54	FF941	Meritor	Front	54
FD931	Meritor	Front	54	FF941A	Meritor	Front	54
FD931N	Meritor	Front	54	FF942	Meritor	Front	54
FD931TW	Meritor	Front	54	FF943	Meritor	Front	54
FD933	Meritor	Front	54	FF944	Meritor	Front	54
FD961	Meritor	Front	54	FF961	Meritor	Front	54
FDS1600	Meritor	Front	54	FF966	Meritor	Front	54
FDS1600RSA	Meritor	Front	54	FF971	Meritor	Front	54
FDS1800	Meritor	Front	54	FG900	Meritor	Front	54
FDS1800N	Meritor	Front	54	FG900N	Meritor	Front	54
FDS1800RSA	Meritor	Front	54	FG900TW	Meritor	Front	54
FDS1800TW	Meritor	Front	54	FG901	Meritor	Front	54
FDS1801RSA	Meritor	Front	54	FG903	Meritor	Front	54
FDS1801TW	Meritor	Front	54	FG931	Meritor	Front	54
FDS1802RSA	Meritor	Front	54	FG941	Meritor	Front	54
FDS1805	Meritor	Front	54	FG943	Meritor	Front	54
FDS1805RDH	Meritor	Front	54	FH900	Meritor	Front	54
FDS1807	Meritor	Front	54	FH901	Meritor	Front	54
FDS1807RDH	Meritor	Front	54	FH901N	Meritor	Front	54
FDS1808	Meritor	Front	54	FH901P	Meritor	Front	54
FDS1808RHD	Meritor	Front	54	FH901RDA	Meritor	Front	54
FDS2100	Meritor	Front	54	FH901RDH	Meritor	Front	54
FDS2101	Meritor	Front	54	FH903	Meritor	Front	54
FDS2102	Meritor	Front	54	FL900	Meritor	Front	54
FDS75	Meritor	Front	54	FL901	Meritor	Front	54
FDS750	Meritor	Front	54	FL901N	Meritor	Front	54
FDS750BH	Meritor	Front	54	FL901P	Meritor	Front	54
FDS750CH	Meritor	Front	54	FL901RDA	Meritor	Front	54
FDS750CN	Meritor	Front	54	FL901RDH	Meritor	Front	54
FDS751CN	Meritor	Front	54	FL903	Meritor	Front	54
FDS75N	Meritor	Front	54	FL921	Meritor	Front	54
FE900	Meritor	Front	54	FL931	Meritor	Front	54
FE900DPA	Meritor	Front	54	FL931N	Meritor	Front	54
FE900DPH	Meritor	Front	54	FL931P	Meritor	Front	54
FE900H	Meritor	Front	54	FL931RDA	Meritor	Front	54
FE900HD	Meritor	Front	54	FL936	Meritor	Front	54
FE900N	Meritor	Front	54	FL941	Meritor	Front	54
FE900P	Meritor	Front	54	FL942	Meritor	Front	54
FE900TW	Meritor	Front	54	FL943	Meritor	Front	54
FE901	Meritor	Front	54	FL951	Meritor	Front	54
FE903	Meritor	Front	54	FLP01RDH	Meritor	Front	54
FE921	Meritor	Front	54	FU900	Meritor	Front	55
FE931	Meritor	Front	54	FU900P	Meritor	Front	55
FE970	Meritor	Front	54	FU910	Meritor	Front	55
FE970TW	Meritor	Front	54	FU935	Meritor	Front	55
FF900	Meritor	Front	54	JD1448	Meritor	Front	55
FF901	Meritor	Front	54	RF16145	Meritor	Front	55
FF901H	Meritor	Front	54	RF21155	Meritor	Front	55
FF901N	Meritor	Front	54	RF21156	Meritor	Front	55
FF901P	Meritor	Front	54	RF21355	Meritor	Front	55
FF901RDA	Meritor	Front	54	RHD	Meritor	Front	55
FF901RDH	Meritor	Front	54	FK415	Mitsubishi Fuso	Front	60
FF901TW	Meritor	Front	54	FM555	Mitsubishi Fuso	Front	60
FF903	Meritor	Front	54	002ADA	Navistar	Front	61
FF920	Meritor	Front	54	002ADB	Navistar	Front	61
FF921	Meritor	Front	54	002ADC	Navistar	Front	61
FF921RDA	Meritor	Front	54	002ADD	Navistar	Front	61
FF921RDH	Meritor	Front	54	002ADE	Navistar	Front	61
FF921TW	Meritor	Front	54	002ADG	Navistar	Front	61

For in-text symbols, see page 5A.

Axle numerical listing

Axle	Manufacturer	Section	Pg. no.	Axle	Manufacturer	Section	Pg. no.
002AEA	Navistar	Front	61	FA210	Navistar	Front	61
002ARA	Navistar	Front	61	FA211	Navistar	Front	61
0206	Navistar	Front	61	FA212	Navistar	Front	61
0207	Navistar	Front	61	FA213	Navistar	Front	61
0213	Navistar	Front	61	FA215	Navistar	Front	61
2227	Navistar	Front	61	FA216	Navistar	Front	61
2231	Navistar	Front	61	FA218	Navistar	Front	61
2232	Navistar	Front	61	FA219	Navistar	Front	61
2233	Navistar	Front	61	FA22	Navistar	Front	61
2250	Navistar	Front	61	FA223	Navistar	Front	61
FA1	Navistar	Front	61	FA224	Navistar	Front	61
FA10	Navistar	Front	61	FA225	Navistar	Front	61
FA100	Navistar	Front	61	FA226	Navistar	Front	61
FA101	Navistar	Front	61	FA227	Navistar	Front	61
FA102	Navistar	Front	61	FA228	Navistar	Front	61
FA103	Navistar	Front	61	FA229	Navistar	Front	61
FA104	Navistar	Front	61	FA231	Navistar	Front	61
FA105	Navistar	Front	61	FA232	Navistar	Front	61
FA108	Navistar	Front	61	FA233	Navistar	Front	61
FA109	Navistar	Front	61	FA234	Navistar	Front	61
FA11	Navistar	Front	61	FA238	Navistar	Front	61
FA110	Navistar	Front	61	FA239	Navistar	Front	61
FA111	Navistar	Front	61	FA24	Navistar	Front	61
FA112	Navistar	Front	61	FA241	Navistar	Front	61
FA113	Navistar	Front	61	FA242	Navistar	Front	61
FA114	Navistar	Front	61	FA245	Navistar	Front	61
FA115	Navistar	Front	61	FA248	Navistar	Front	61
FA118	Navistar	Front	61	FA25	Navistar	Front	61
FA119	Navistar	Front	61	FA250	Navistar	Front	61
FA12	Navistar	Front	61	FA28	Navistar	Front	61
FA120	Navistar	Front	61	FA3	Navistar	Front	61
FA127	Navistar	Front	61	FA30	Navistar	Front	61
FA13	Navistar	Front	61	FA309	Navistar	Front	61
FA130	Navistar	Front	61	FA329	Navistar	Front	61
FA131	Navistar	Front	61	FA336	Navistar	Front	61
FA132	Navistar	Front	61	FA337	Navistar	Front	61
FA133	Navistar	Front	61	FA338	Navistar	Front	61
FA134	Navistar	Front	61	FA339	Navistar	Front	61
FA136	Navistar	Front	61	FA340	Navistar	Front	61
FA137	Navistar	Front	61	FA341	Navistar	Front	61
FA138	Navistar	Front	61	FA342	Navistar	Front	61
FA139	Navistar	Front	61	FA343	Navistar	Front	61
FA14	Navistar	Front	61	FA4	Navistar	Front	61
FA140	Navistar	Front	61	FA40	Navistar	Front	62
FA15	Navistar	Front	61	FA401	Navistar	Front	62
FA150	Navistar	Front	61	FA41	Navistar	Front	62
FA16	Navistar	Front	61	FA43	Navistar	Front	62
FA17	Navistar	Front	61	FA44	Navistar	Front	62
FA175	Navistar	Front	61	FA45	Navistar	Front	62
FA176	Navistar	Front	61	FA46	Navistar	Front	62
FA18	Navistar	Front	61	FA48	Navistar	Front	62
FA180	Navistar	Front	61	FA5	Navistar	Front	62
FA182	Navistar	Front	61	FA50	Navistar	Front	62
FA183	Navistar	Front	61	FA51	Navistar	Front	62
FA184	Navistar	Front	61	FA52	Navistar	Front	62
FA186	Navistar	Front	61	FA53	Navistar	Front	62
FA191	Navistar	Front	61	FA54	Navistar	Front	62
FA192	Navistar	Front	61	FA55	Navistar	Front	62
FA193	Navistar	Front	61	FA56	Navistar	Front	62
FA194	Navistar	Front	61	FA57	Navistar	Front	62
FA195	Navistar	Front	61	FA58	Navistar	Front	62
FA196	Navistar	Front	61	FA59	Navistar	Front	62
FA20	Navistar	Front	61	FA6	Navistar	Front	62
FA201	Navistar	Front	61	FA60	Navistar	Front	62
FA208	Navistar	Front	61	FA62	Navistar	Front	62
FA209	Navistar	Front	61	FA63	Navistar	Front	62
FA21	Navistar	Front	61	FA64	Navistar	Front	62

Axle numerical listing

Axle	Manufacturer	Section	Pg. no.	Axle	Manufacturer	Section	Pg. no.
FA65	Navistar	Front	62	FA339	Navistar (School Bus)	Front	65
FA66	Navistar	Front	62	FA340	Navistar (School Bus)	Front	65
FA68	Navistar	Front	62	FA71	Navistar (School Bus)	Front	65
FA69	Navistar	Front	62	FA73	Navistar (School Bus)	Front	65
FA7	Navistar	Front	62	10338-F-5	Oshkosh	Front	66
FA70	Navistar	Front	62	1554-GA-1	Oshkosh	Front	66
FA71	Navistar	Front	62	15640-F-1	Oshkosh	Front	66
FA72	Navistar	Front	62	16800-F	Oshkosh	Front	66
FA73	Navistar	Front	62	1747-J	Oshkosh	Front	66
FA74	Navistar	Front	62	17896-F	Oshkosh	Front	66
FA75	Navistar	Front	62	1888-G-4	Oshkosh	Front	66
FA76	Navistar	Front	62	1916-J	Oshkosh	Front	66
FA77	Navistar	Front	62	19850-F	Oshkosh	Front	66
FA78	Navistar	Front	62	2346-F-3	Oshkosh	Front	66
FA8	Navistar	Front	62	3908-F-2	Oshkosh	Front	66
FA80	Navistar	Front	62	F2034	Oshkosh	Front	66
FA81	Navistar	Front	62	F2044	Oshkosh	Front	66
FA82	Navistar	Front	62	F2055	Oshkosh	Front	66
FA83	Navistar	Front	62	F2056	Oshkosh	Front	66
FA89	Navistar	Front	62	H-1700	Oshkosh	Front	66
FA9	Navistar	Front	62	W-1600	Oshkosh	Front	66
FA90	Navistar	Front	62	W-1700	Oshkosh	Front	66
FA91	Navistar	Front	62	W-212	Oshkosh	Front	66
FA95	Navistar	Front	62	W-2200	Oshkosh	Front	66
FA98	Navistar	Front	62	W-700	Oshkosh	Front	66
FA99	Navistar	Front	62	W705	Oshkosh	Front	66
FAADA	Navistar	Front	62	W900	Oshkosh	Front	66
FAADB	Navistar	Front	62	W906-6x6	Oshkosh	Front	66
FAADC	Navistar	Front	62	24-F	Spicer	Front	67
FAADD	Navistar	Front	62	25-F	Spicer	Front	67
FAADE	Navistar	Front	62	27	Spicer	Front	67
FAADG	Navistar	Front	62	27-AF	Spicer	Front	67
FAADH	Navistar	Front	62	27-F	Spicer	Front	67
FAADJ	Navistar	Front	62	28-IFS	Spicer	Front	67
FAADK	Navistar	Front	62	30	Spicer	Front	67
FAADL	Navistar	Front	62	30-AF	Spicer	Front	67
FAARA	Navistar	Front	62	30-F	Spicer	Front	67
FAERA	Navistar	Front	62	35-IFS	Spicer	Front	67
FAERC	Navistar	Front	62	44	Spicer	Front	67
FAERD	Navistar	Front	62	44-1F	Spicer	Front	67
FAERE	Navistar	Front	62	441F-HD	Spicer	Front	67
FAERG	Navistar	Front	62	44-3CF	Spicer	Front	67
FAEYA	Navistar	Front	62	44-3CF-HD	Spicer	Front	67
FAEYB	Navistar	Front	62	44-3F	Spicer	Front	67
FAEYC	Navistar	Front	62	44-5CF-HD	Spicer	Front	67
FAEYG	Navistar	Front	62	44-5F	Spicer	Front	67
FAKER	Navistar	Front	62	44-6CF	Spicer	Front	67
FAKRB	Navistar	Front	62	44-6CF-HD	Spicer	Front	67
FF931	Navistar	Front	62	44-6E	Spicer	Front	67
FF941	Navistar	Front	62	44-6F	Spicer	Front	67
FA101	Navistar (School Bus)	Front	65	44-7F	Spicer	Front	67
FA103	Navistar (School Bus)	Front	65	44-8F	Spicer	Front	67
FA104	Navistar (School Bus)	Front	65	44-9F	Spicer	Front	67
FA105	Navistar (School Bus)	Front	65	44F	Spicer	Front	67
FA109	Navistar (School Bus)	Front	65	44-FBJ	Spicer	Front	67
FA118	Navistar (School Bus)	Front	65	44-IF	Spicer	Front	67
FA119	Navistar (School Bus)	Front	65	44-IF-HD	Spicer	Front	67
FA127	Navistar (School Bus)	Front	65	44-IFS	Spicer	Front	67
FA136	Navistar (School Bus)	Front	65	44-IFS-HD	Spicer	Front	67
FA139	Navistar (School Bus)	Front	65	50.5-IFS	Spicer	Front	67
FA208	Navistar (School Bus)	Front	65	60-3F	Spicer	Front	67
FA215	Navistar (School Bus)	Front	65	60-7F	Spicer	Front	67
FA218	Navistar (School Bus)	Front	65	60-F	Spicer	Front	67
FA228	Navistar (School Bus)	Front	65	70	Spicer	Front	67
FA309	Navistar (School Bus)	Front	65	70-F	Spicer	Front	67
FA329	Navistar (School Bus)	Front	65	E1000l	Spicer	Front	67
FA337	Navistar (School Bus)	Front	65	E1200l	Spicer	Front	67

For in-text symbols, see page 5A.

Axle numerical listing

Axle	Manufacturer	Section	Pg. no.	Axle	Manufacturer	Section	Pg. no.
EFA12F3	Spicer	Front	67	N12	Volvo	Front	71
EFA12F4	Spicer	Front	67	N7	Volvo	Front	71
I100S	Spicer	Front	67	FD1	Ward LaFrance	Front	72
I108	Spicer	Front	67	FD2	Ward LaFrance	Front	72
I120	Spicer	Front	67	F3W-1200	Westport	Front	72
I120S	Spicer	Front	67	F3W-1400	Westport	Front	72
I140S	Spicer	Front	67	F6W-1200	Westport	Front	72
I160S	Spicer	Front	67	F6W-1400	Westport	Front	72
I180S	Spicer	Front	67	10000	White	Front	72
I200S	Spicer	Front	67	106D	White	Front	72
I50	Spicer	Front	67	107D	White	Front	72
I60	Spicer	Front	67	108D	White	Front	72
I60S	Spicer	Front	67	109D	White	Front	72
I75	Spicer	Front	67	110D	White	Front	72
I80S	Spicer	Front	67	111D	White	Front	72
I90	Spicer	Front	67	114D	White	Front	72
DD150	Sterling Truck	Front	70	115D	White	Front	72
DDS135	Sterling Truck	Front	70	115DL	White	Front	72
DDS145	Sterling Truck	Front	70	116D	White	Front	72
DDS150	Sterling Truck	Front	70	116DL	White	Front	72
HA1204	Sterling Truck	Front	70	116DX	White	Front	72
HA1304	Sterling Truck	Front	70	119D	White	Front	72
HB1204	Sterling Truck	Front	70	12000	White	Front	72
HB1904	Sterling Truck	Front	70	121D	White	Front	72
HB2254	Sterling Truck	Front	70	122D	White	Front	72
HG1204	Sterling Truck	Front	70	123D	White	Front	72
34S	Twin Coach Truck	Front	70	124D	White	Front	72
34SW	Twin Coach Truck	Front	70	125D	White	Front	72
35G	Twin Coach Truck	Front	70	126D	White	Front	72
35R	Twin Coach Truck	Front	70	127D	White	Front	72
35S	Twin Coach Truck	Front	70	12D	White	Front	72
38S	Twin Coach Truck	Front	70	14000	White	Front	72
40GTT	Twin Coach Truck	Front	70	160	White	Front	72
40R	Twin Coach Truck	Front	70	16D	White	Front	72
41S	Twin Coach Truck	Front	70	230	White	Front	72
44D	Twin Coach Truck	Front	70	23D	White	Front	72
44GTT	Twin Coach Truck	Front	71	24D	White	Front	72
44R	Twin Coach Truck	Front	71	30D	White	Front	72
44S	Twin Coach Truck	Front	71	39D	White	Front	72
44TT	Twin Coach Truck	Front	71	40D	White	Front	72
44TTW	Twin Coach Truck	Front	71	58D	White	Front	72
45S	Twin Coach Truck	Front	71	59D	White	Front	72
50S	Twin Coach Truck	Front	71	60D	White	Front	72
52S	Twin Coach Truck	Front	71	60DF	White	Front	72
52S2	Twin Coach Truck	Front	71	64D	White	Front	72
58D	Twin Coach Truck	Front	71	64DB	White	Front	72
B58 BUS	Volvo	Front	71	64DD	White	Front	72
B59 BUS	Volvo	Front	71	740	White	Front	72
F10	Volvo	Front	71	74D	White	Front	72
F12	Volvo	Front	71	79D	White	Front	72
F607	Volvo	Front	71	8000	White	Front	72
F609	Volvo	Front	71	81D	White	Front	72
F610	Volvo	Front	71	82D	White	Front	72
F611	Volvo	Front	71	86D	White	Front	72
F612	Volvo	Front	71	90D	White	Front	72
F613	Volvo	Front	71	F3-100	White	Front	72
F614	Volvo	Front	71	F3-120	White	Front	72
F615	Volvo	Front	71	F3-140	White	Front	72
F616	Volvo	Front	71	F3-8	White	Front	72
F7	Volvo	Front	71	F3-80	White	Front	72
F86	Volvo	Front	71	F3W-100	White	Front	72
F88	Volvo	Front	71	F3W-108	White	Front	72
F89	Volvo	Front	71	F3W-120	White	Front	72
F8G	Volvo	Front	71	F3W-1200	White	Front	72
FA75	Volvo	Front	71	F3W-125	White	Front	72
FT6	Volvo	Front	71	F3W-140	White	Front	72
N10	Volvo	Front	71	F3W-1400	White	Front	72

Axle numerical listing

Axle	Manufacturer	Section	Pg. no.	Axle	Manufacturer	Section	Pg. no.
F3W-141	White	Front	72	C100	ArvinMeritor (School Bus)	Drive	76
F3W-80	White	Front	72	D100	ArvinMeritor (School Bus)	Drive	76
F5-100	White	Front	72	D140	ArvinMeritor (School Bus)	Drive	76
F5-120	White	Front	72	DBB1300	ArvinMeritor (School Bus)	Drive	76
F5-140	White	Front	72	E100	ArvinMeritor (School Bus)	Drive	76
F5-75	White	Front	72	E102	ArvinMeritor (School Bus)	Drive	76
F5-80	White	Front	72	E105	ArvinMeritor (School Bus)	Drive	76
F5W-100	White	Front	72	E150	ArvinMeritor (School Bus)	Drive	76
F5W-120	White	Front	72	E155	ArvinMeritor (School Bus)	Drive	76
F5W-140	White	Front	72	E200	ArvinMeritor (School Bus)	Drive	76
F5W-80	White	Front	72	E300	ArvinMeritor (School Bus)	Drive	76
F6W-100	White	Front	72	E302	ArvinMeritor (School Bus)	Drive	76
F6W-108	White	Front	72	F104	ArvinMeritor (School Bus)	Drive	76
F6W-120	White	Front	72	F106	ArvinMeritor (School Bus)	Drive	76
F6W-1200	White	Front	72	F145	ArvinMeritor (School Bus)	Drive	76
F6W-125	White	Front	72	F245	ArvinMeritor (School Bus)	Drive	76
F6W-140	White	Front	72	F345	ArvinMeritor (School Bus)	Drive	76
F6W-1400	White	Front	73	H100	ArvinMeritor (School Bus)	Drive	76
F6W-141	White	Front	73	H110	ArvinMeritor (School Bus)	Drive	76
FF931	White	Front	73	H120	ArvinMeritor (School Bus)	Drive	76
FF933	White	Front	73	H140	ArvinMeritor (School Bus)	Drive	76
FG933	White	Front	73	H150	ArvinMeritor (School Bus)	Drive	76
FL931	White	Front	73	H151	ArvinMeritor (School Bus)	Drive	76
FL933	White	Front	73	H153	ArvinMeritor (School Bus)	Drive	76
26S	ACF	Drive	75	H156	ArvinMeritor (School Bus)	Drive	76
26U	ACF	Drive	75	H170	ArvinMeritor (School Bus)	Drive	76
29P	ACF	Drive	75	H172	ArvinMeritor (School Bus)	Drive	76
29PB	ACF	Drive	75	H173	ArvinMeritor (School Bus)	Drive	76
31S	ACF	Drive	75	H175	ArvinMeritor (School Bus)	Drive	76
37P	ACF	Drive	75	H200	ArvinMeritor (School Bus)	Drive	76
37PA	ACF	Drive	75	H240	ArvinMeritor (School Bus)	Drive	76
37PB	ACF	Drive	75	H300	ArvinMeritor (School Bus)	Drive	76
37PBS	ACF	Drive	75	H301	ArvinMeritor (School Bus)	Drive	76
41S	ACF	Drive	75	H310	ArvinMeritor (School Bus)	Drive	76
45S	ACF	Drive	75	H320	ArvinMeritor (School Bus)	Drive	76
C27	ACF	Drive	75	H340	ArvinMeritor (School Bus)	Drive	76
C27B	ACF	Drive	75	H350	ArvinMeritor (School Bus)	Drive	76
C31	ACF	Drive	75	H370	ArvinMeritor (School Bus)	Drive	76
C31B	ACF	Drive	75	L155	ArvinMeritor (School Bus)	Drive	76
C36	ACF	Drive	75	L172	ArvinMeritor (School Bus)	Drive	76
C40	ACF	Drive	75	RS13120	ArvinMeritor (School Bus)	Drive	76
C44	ACF	Drive	75	RS15210	ArvinMeritor (School Bus)	Drive	76
C48	ACF	Drive	75	RS17140	ArvinMeritor (School Bus)	Drive	76
C51	ACF	Drive	75	RS17220	ArvinMeritor (School Bus)	Drive	76
H16	ACF	Drive	75	C20	Autocar	Drive	77
H16S	ACF	Drive	75	C7062	Autocar	Drive	77
H16SE	ACF	Drive	75	C80	Autocar	Drive	77
H9	ACF	Drive	75	C8044	Autocar	Drive	77
IC37	ACF	Drive	75	C8064	Autocar	Drive	77
IC41	ACF	Drive	75	C80T	Autocar	Drive	77
IC41A	ACF	Drive	75	C80TB	Autocar	Drive	77
P372	ACF	Drive	75	C80TS	Autocar	Drive	77
SU37	ACF	Drive	75	C85	Autocar	Drive	77
TC44	ACF	Drive	75	C85T	Autocar	Drive	77
373	Aerocoach	Drive	75	C90	Autocar	Drive	77
P29	Aerocoach	Drive	75	C9064	Autocar	Drive	77
P33	Aerocoach	Drive	75	C90D	Autocar	Drive	77
P37	Aerocoach	Drive	75	C90T	Autocar	Drive	77
P372	Aerocoach	Drive	75	C95	Autocar	Drive	77
P373	Aerocoach	Drive	75	C95T	Autocar	Drive	77
P411	Aerocoach	Drive	75	D100	Autocar	Drive	77
P45-37	Aerocoach	Drive	75	DC100	Autocar	Drive	77
P46-37	Aerocoach	Drive	75	DC100T	Autocar	Drive	77
T361	Aerocoach	Drive	75	DC103D	Autocar	Drive	77
T451	Aerocoach	Drive	75	DC103D-OH	Autocar	Drive	77
B1055	ArvinMeritor (School Bus)	Drive	76	DC20	Autocar	Drive	77
BH150	ArvinMeritor (School Bus)	Drive	76	U20	Autocar	Drive	77

For in-text symbols, see page 5A.

Axle numerical listing

Axle	Manufacturer	Section	Pg. no.	Axle	Manufacturer	Section	Pg. no.
U8064	Autocar	Drive	77	322	Diamond T	Drive	80
U90	Autocar	Drive	77	323	Diamond T	Drive	80
U9064	Autocar	Drive	77	323C	Diamond T	Drive	80
U90D	Autocar	Drive	77	4 Ton Wrecker	Diamond T	Drive	80
U90T	Autocar	Drive	77	401	Diamond T	Drive	80
250	Available	Drive	77	404	Diamond T	Drive	80
400	Available	Drive	77	404C	Diamond T	Drive	80
500	Available	Drive	77	422	Diamond T	Drive	80
550	Available	Drive	77	422C	Diamond T	Drive	80
550X	Available	Drive	77	520	Diamond T	Drive	80
560	Available	Drive	77	620	Diamond T	Drive	80
560S	Available	Drive	77	720	Diamond T	Drive	80
600	Available	Drive	77	720C	Diamond T	Drive	80
601	Available	Drive	77	722	Diamond T	Drive	80
602	Available	Drive	77	723	Diamond T	Drive	80
610	Available	Drive	77	723C	Diamond T	Drive	80
620	Available	Drive	77	723CJT	Diamond T	Drive	80
630	Available	Drive	77	730	Diamond T	Drive	80
660S	Available	Drive	77	734	Diamond T	Drive	80
18 Series	Brockway	Drive	78	738	Diamond T	Drive	80
27 Series	Brockway	Drive	78	738R	Diamond T	Drive	80
35 Series	Brockway	Drive	78	810H	Diamond T	Drive	80
38D	Brockway	Drive	78	830	Diamond T	Drive	80
D380 Series	Brockway	Drive	78	831	Diamond T	Drive	80
SFDD4640	Brockway	Drive	78	838	Diamond T	Drive	80
SUDD	Brockway	Drive	78	920	Diamond T	Drive	80
146W	Brockway Truck	Drive	78	921BR	Diamond T	Drive	80
148W	Brockway Truck	Drive	78	921CNT	Diamond T	Drive	80
151W	Brockway Truck	Drive	78	921DBN	Diamond T	Drive	80
152BB	Brockway Truck	Drive	78	921FN	Diamond T	Drive	80
152W96	Brockway Truck	Drive	78	921N	Diamond T	Drive	80
153BB	Brockway Truck	Drive	78	921NT	Diamond T	Drive	80
153SQ	Brockway Truck	Drive	78	923	Diamond T	Drive	80
153W	Brockway Truck	Drive	78	923C	Diamond T	Drive	80
165	Brockway Truck	Drive	78	950	Diamond T	Drive	80
165X	Brockway Truck	Drive	78	951	Diamond T	Drive	80
166	Brockway Truck	Drive	78	951S	Diamond T	Drive	80
170X	Brockway Truck	Drive	78	D3000	Diamond T	Drive	80
175X	Brockway Truck	Drive	78	1315	Dodge	Drive	81
195X	Brockway Truck	Drive	78	1350	Dodge	Drive	81
220X	Brockway Truck	Drive	78	1350A5	Dodge	Drive	81
260SQ	Brockway Truck	Drive	78	13800	Dodge	Drive	81
260X	Brockway Truck	Drive	78	13802	Dodge	Drive	81
260XL	Brockway Truck	Drive	78	13803	Dodge	Drive	81
260XW	Brockway Truck	Drive	78	15201	Dodge	Drive	81
260XWL	Brockway Truck	Drive	78	15 Series	Dodge	Drive	81
KP	Brown	Drive	79	1614	Dodge	Drive	81
KT	Brown	Drive	79	1618	Dodge	Drive	81
LP	Brown	Drive	79	1619	Dodge	Drive	81
LS	Brown	Drive	79	16220	Dodge	Drive	81
LT	Brown	Drive	79	16221	Dodge	Drive	81
TR6572	Brown	Drive	79	16244	Dodge	Drive	81
R1250	Clark	Drive	79	16600	Dodge	Drive	81
RD-22500	Clark	Drive	79	16601	Dodge	Drive	81
SD12	Coleman	Drive	80	16800	Dodge	Drive	81
SD9	Coleman	Drive	80	16801	Dodge	Drive	81
201	Diamond T	Drive	80	16802	Dodge	Drive	81
222	Diamond T	Drive	80	16803	Dodge	Drive	81
244S	Diamond T	Drive	80	16 Series	Dodge	Drive	81
3000	Diamond T	Drive	80	17120	Dodge	Drive	81
301	Diamond T	Drive	80	17121	Dodge	Drive	81
304	Diamond T	Drive	80	1719A	Dodge	Drive	81
306	Diamond T	Drive	80	17200	Dodge	Drive	81
306C	Diamond T	Drive	80	17220	Dodge	Drive	81
306H	Diamond T	Drive	80	17221	Dodge	Drive	81
306SC	Diamond T	Drive	80	17800	Dodge	Drive	81
307	Diamond T	Drive	80	17801	Dodge	Drive	81

Axle numerical listing

Axle	Manufacturer	Section	Pg. no.	Axle	Manufacturer	Section	Pg. no.
1790	Dodge	Drive	81	38RSE	Dodge	Drive	82
1790A	Dodge	Drive	81	38RT	Dodge	Drive	82
1791	Dodge	Drive	81	38RTC	Dodge	Drive	82
1791A	Dodge	Drive	81	38RTE	Dodge	Drive	82
17 Series	Dodge	Drive	81	8802	Dodge	Drive	82
18100	Dodge	Drive	81	8803	Dodge	Drive	82
18101	Dodge	Drive	81	AY3	Dodge	Drive	82
18120	Dodge	Drive	81	BY3	Dodge	Drive	82
18121	Dodge	Drive	81	F140D	Dodge	Drive	82
18200	Dodge	Drive	81	F147	Dodge	Drive	82
18201	Dodge	Drive	81	H100	Dodge	Drive	82
18220	Dodge	Drive	81	H120	Dodge	Drive	82
18221	Dodge	Drive	81	H141	Dodge	Drive	82
18301	Dodge	Drive	81	H161	Dodge	Drive	82
18302	Dodge	Drive	81	H170	Dodge	Drive	82
1880	Dodge	Drive	82	H172	Dodge	Drive	82
1881	Dodge	Drive	82	H320	Dodge	Drive	82
18812	Dodge	Drive	82	H341	Dodge	Drive	82
18 Series	Dodge	Drive	82	L100	Dodge	Drive	82
1910	Dodge	Drive	82	L110	Dodge	Drive	82
1911	Dodge	Drive	82	L140	Dodge	Drive	82
19120	Dodge	Drive	82	L145	Dodge	Drive	82
19121	Dodge	Drive	82	L148	Dodge	Drive	82
1918	Dodge	Drive	82	L172	Dodge	Drive	82
1919	Dodge	Drive	82	L200	Dodge	Drive	82
19220	Dodge	Drive	82	L245	Dodge	Drive	82
19221	Dodge	Drive	82	L300	Dodge	Drive	82
19800	Dodge	Drive	82	L340	Dodge	Drive	82
19801	Dodge	Drive	82	L345	Dodge	Drive	82
19 Series	Dodge	Drive	82	Q100	Dodge	Drive	82
30D	Dodge	Drive	82	Q145	Dodge	Drive	82
30DS	Dodge	Drive	82	Q200	Dodge	Drive	82
30DSC	Dodge	Drive	82	Q300	Dodge	Drive	82
30RS	Dodge	Drive	82	Q345	Dodge	Drive	82
30RSC	Dodge	Drive	82	QT140	Dodge	Drive	82
34D	Dodge	Drive	82	QT145	Dodge	Drive	82
34D3	Dodge	Drive	82	Q200	Dodge	Drive	82
34D3B	Dodge	Drive	82	Q300	Dodge	Drive	82
34D3C	Dodge	Drive	82	Q345	Dodge	Drive	82
34DS	Dodge	Drive	82	QT140	Dodge	Drive	82
34DSC	Dodge	Drive	82	QT145	Dodge	Drive	82
34R3	Dodge	Drive	82	QT300	Dodge	Drive	82
34RS	Dodge	Drive	82	QT340	Dodge	Drive	82
34RSC	Dodge	Drive	82	R100	Dodge	Drive	82
38D	Dodge	Drive	82	R140	Dodge	Drive	82
38D3	Dodge	Drive	82	R170	Dodge	Drive	82
38D3B	Dodge	Drive	82	R200	Dodge	Drive	82
38D3C	Dodge	Drive	82	R300	Dodge	Drive	82
38D3D	Dodge	Drive	82	R300A	Dodge	Drive	82
38D3E	Dodge	Drive	82	RA115	Dodge	Drive	82
38DP	Dodge	Drive	82	RL170	Dodge	Drive	82
38DPC	Dodge	Drive	82	RQ Series	Dodge	Drive	82
38DPE	Dodge	Drive	82	RSH Series	Dodge	Drive	82
38DS	Dodge	Drive	82	RSL155	Dodge	Drive	82
38DSC	Dodge	Drive	82	RT140	Dodge	Drive	82
38DSE	Dodge	Drive	82	RT240	Dodge	Drive	82
38DT	Dodge	Drive	82	RT340	Dodge	Drive	82
38DTC	Dodge	Drive	82	R/W L155	Dodge	Drive	82
38DTE	Dodge	Drive	82	R/W Q Series	Dodge	Drive	82
38R3	Dodge	Drive	82	R/W R Series	Dodge	Drive	82
38R3C	Dodge	Drive	82	SDHD	Dodge	Drive	82
38R3E	Dodge	Drive	82	SHHD	Dodge	Drive	82
38RP	Dodge	Drive	82	SLHD	Dodge	Drive	82
38RPC	Dodge	Drive	82	SQHD	Dodge	Drive	82
38RPE	Dodge	Drive	82	SSHHD	Dodge	Drive	82
38RS	Dodge	Drive	82	FA824	Duplex	Drive	83
38RSC	Dodge	Drive	82	K50T	Duplex	Drive	83

TRAILER, TAG & PUSHER AXLES

FRONT AXLES

DRIVE AXLES

MEDIUM TRUCK

For in-text symbols, see page 5A.

Axle numerical listing

Axle	Manufacturer	Section	Pg. no.	Axle	Manufacturer	Section	Pg. no.
L.....	Duplex.....	Drive.....	83	16600.....	Eaton.....	Drive.....	84
L6602.....	Duplex.....	Drive.....	83	16601.....	Eaton.....	Drive.....	84
L6602-4.....	Duplex.....	Drive.....	83	16800.....	Eaton.....	Drive.....	84
LC600.....	Duplex.....	Drive.....	83	16801.....	Eaton.....	Drive.....	84
LC600-4.....	Duplex.....	Drive.....	83	16802.....	Eaton.....	Drive.....	84
R Series.....	Duplex.....	Drive.....	83	16803.....	Eaton.....	Drive.....	84
RH6.....	Duplex.....	Drive.....	83	17000.....	Eaton.....	Drive.....	84
SH529.....	Duplex.....	Drive.....	83	17001.....	Eaton.....	Drive.....	84
T380.....	Duplex.....	Drive.....	83	17100.....	Eaton.....	Drive.....	84
TH339.....	Duplex.....	Drive.....	83	171001.....	Eaton.....	Drive.....	84
0502.....	Eaton.....	Drive.....	84	17100-1.....	Eaton.....	Drive.....	84
0503.....	Eaton.....	Drive.....	84	17101.....	Eaton.....	Drive.....	84
1204.....	Eaton.....	Drive.....	84	17120.....	Eaton.....	Drive.....	84
1206.....	Eaton.....	Drive.....	84	171201.....	Eaton.....	Drive.....	84
1250.....	Eaton.....	Drive.....	84	17120-1.....	Eaton.....	Drive.....	84
1265.....	Eaton.....	Drive.....	84	17121.....	Eaton.....	Drive.....	84
1275.....	Eaton.....	Drive.....	84	1715.....	Eaton.....	Drive.....	84
1277.....	Eaton.....	Drive.....	84	1716.....	Eaton.....	Drive.....	84
1280.....	Eaton.....	Drive.....	84	17200.....	Eaton.....	Drive.....	84
1281.....	Eaton.....	Drive.....	84	172001.....	Eaton.....	Drive.....	84
1295.....	Eaton.....	Drive.....	84	17200-1.....	Eaton.....	Drive.....	84
1300.....	Eaton.....	Drive.....	84	17201.....	Eaton.....	Drive.....	85
13000.....	Eaton.....	Drive.....	84	17202.....	Eaton.....	Drive.....	85
13100.....	Eaton.....	Drive.....	84	17207.....	Eaton.....	Drive.....	85
13101.....	Eaton.....	Drive.....	84	17220.....	Eaton.....	Drive.....	85
1315.....	Eaton.....	Drive.....	84	17220-1.....	Eaton.....	Drive.....	85
1350.....	Eaton.....	Drive.....	84	17221.....	Eaton.....	Drive.....	85
13600.....	Eaton.....	Drive.....	84	17222.....	Eaton.....	Drive.....	85
13602.....	Eaton.....	Drive.....	84	17227.....	Eaton.....	Drive.....	85
13800.....	Eaton.....	Drive.....	84	17300.....	Eaton.....	Drive.....	85
13802.....	Eaton.....	Drive.....	84	173001.....	Eaton.....	Drive.....	85
13803.....	Eaton.....	Drive.....	84	17300-1.....	Eaton.....	Drive.....	85
15040P.....	Eaton.....	Drive.....	84	17301.....	Eaton.....	Drive.....	85
15040S.....	Eaton.....	Drive.....	84	17302.....	Eaton.....	Drive.....	85
15040T.....	Eaton.....	Drive.....	84	17320.....	Eaton.....	Drive.....	85
15101.....	Eaton.....	Drive.....	84	173201.....	Eaton.....	Drive.....	85
15121.....	Eaton.....	Drive.....	84	17320-1.....	Eaton.....	Drive.....	85
15201.....	Eaton.....	Drive.....	84	17321.....	Eaton.....	Drive.....	85
15301.....	Eaton.....	Drive.....	84	17401.....	Eaton.....	Drive.....	85
16000.....	Eaton.....	Drive.....	84	17421.....	Eaton.....	Drive.....	85
16001.....	Eaton.....	Drive.....	84	17500.....	Eaton.....	Drive.....	85
16050.....	Eaton.....	Drive.....	84	17501.....	Eaton.....	Drive.....	85
16051.....	Eaton.....	Drive.....	84	17600.....	Eaton.....	Drive.....	85
16120.....	Eaton.....	Drive.....	84	17601.....	Eaton.....	Drive.....	85
161201.....	Eaton.....	Drive.....	84	17700.....	Eaton.....	Drive.....	85
16120-1.....	Eaton.....	Drive.....	84	17701.....	Eaton.....	Drive.....	85
16121.....	Eaton.....	Drive.....	84	1780.....	Eaton.....	Drive.....	85
16122.....	Eaton.....	Drive.....	84	17800.....	Eaton.....	Drive.....	85
16124.....	Eaton.....	Drive.....	84	17801.....	Eaton.....	Drive.....	85
1614.....	Eaton.....	Drive.....	84	17810.....	Eaton.....	Drive.....	85
1615.....	Eaton.....	Drive.....	84	17811.....	Eaton.....	Drive.....	85
1618.....	Eaton.....	Drive.....	84	17815.....	Eaton.....	Drive.....	85
1619.....	Eaton.....	Drive.....	84	1790.....	Eaton.....	Drive.....	85
1620.....	Eaton.....	Drive.....	84	17901.....	Eaton.....	Drive.....	85
16220.....	Eaton.....	Drive.....	84	1790A.....	Eaton.....	Drive.....	85
162201.....	Eaton.....	Drive.....	84	1791.....	Eaton.....	Drive.....	85
16220-1.....	Eaton.....	Drive.....	84	1791A.....	Eaton.....	Drive.....	85
16221.....	Eaton.....	Drive.....	84	1792.....	Eaton.....	Drive.....	85
16244.....	Eaton.....	Drive.....	84	1793.....	Eaton.....	Drive.....	85
16247.....	Eaton.....	Drive.....	84	1795.....	Eaton.....	Drive.....	85
16320.....	Eaton.....	Drive.....	84	1796.....	Eaton.....	Drive.....	85
163201.....	Eaton.....	Drive.....	84	1800.....	Eaton.....	Drive.....	85
16320-1.....	Eaton.....	Drive.....	84	1800 Series.....	Eaton.....	Drive.....	85
16321.....	Eaton.....	Drive.....	84	1801.....	Eaton.....	Drive.....	85
16344.....	Eaton.....	Drive.....	84	1802.....	Eaton.....	Drive.....	85
16500.....	Eaton.....	Drive.....	84	1803.....	Eaton.....	Drive.....	85
16501.....	Eaton.....	Drive.....	84	18100.....	Eaton.....	Drive.....	85

Axle numerical listing

Axle	Manufacturer	Section	Pg. no.	Axle	Manufacturer	Section	Pg. no.
181001	Eaton	Drive	.85	1911	Eaton	Drive	.85
18100-1	Eaton	Drive	.85	19120	Eaton	Drive	.85
18101	Eaton	Drive	.85	191201	Eaton	Drive	.85
18120	Eaton	Drive	.85	19121	Eaton	Drive	.85
181201	Eaton	Drive	.85	1918	Eaton	Drive	.85
18120-1	Eaton	Drive	.85	1919	Eaton	Drive	.85
18121	Eaton	Drive	.85	19200	Eaton	Drive	.85
18200	Eaton	Drive	.85	192001	Eaton	Drive	.85
182001	Eaton	Drive	.85	19201	Eaton	Drive	.85
18200-1	Eaton	Drive	.85	19202	Eaton	Drive	.85
18201	Eaton	Drive	.85	19220	Eaton	Drive	.85
18202	Eaton	Drive	.85	19220-1	Eaton	Drive	.85
18207	Eaton	Drive	.85	19221	Eaton	Drive	.85
18220	Eaton	Drive	.85	19300	Eaton	Drive	.85
18221	Eaton	Drive	.85	193001	Eaton	Drive	.85
18222	Eaton	Drive	.85	19300-1	Eaton	Drive	.85
18227	Eaton	Drive	.85	19301	Eaton	Drive	.85
18300	Eaton	Drive	.85	19320	Eaton	Drive	.85
18300-1	Eaton	Drive	.85	193201	Eaton	Drive	.85
18301	Eaton	Drive	.85	19320-1	Eaton	Drive	.85
18302	Eaton	Drive	.85	19321	Eaton	Drive	.85
18320	Eaton	Drive	.85	19400	Eaton	Drive	.85
18320-1	Eaton	Drive	.85	19420	Eaton	Drive	.85
18321	Eaton	Drive	.85	194201	Eaton	Drive	.85
18322	Eaton	Drive	.85	19420-1	Eaton	Drive	.85
18500	Eaton	Drive	.85	19421	Eaton	Drive	.85
18501	Eaton	Drive	.85	19426	Eaton	Drive	.85
18502	Eaton	Drive	.85	19500	Eaton	Drive	.85
18503	Eaton	Drive	.85	19501	Eaton	Drive	.85
1860	Eaton	Drive	.85	19502	Eaton	Drive	.86
18600	Eaton	Drive	.85	19503	Eaton	Drive	.86
18601	Eaton	Drive	.85	19512	Eaton	Drive	.86
1861	Eaton	Drive	.85	19513	Eaton	Drive	.86
1862	Eaton	Drive	.85	19515	Eaton	Drive	.86
1863	Eaton	Drive	.85	19800	Eaton	Drive	.86
18700	Eaton	Drive	.85	19801	Eaton	Drive	.86
18701	Eaton	Drive	.85	19802	Eaton	Drive	.86
1880	Eaton	Drive	.85	19803	Eaton	Drive	.86
18800	Eaton	Drive	.85	19 Series			
18802	Eaton	Drive	.85	(Van Hool Bus)	Eaton	Drive	.86
18803	Eaton	Drive	.85	2000	Eaton	Drive	.86
1881	Eaton	Drive	.85	20000	Eaton	Drive	.86
18812	Eaton	Drive	.85	2010	Eaton	Drive	.86
188123	Eaton	Drive	.85	20100	Eaton	Drive	.86
18812-3	Eaton	Drive	.85	2011	Eaton	Drive	.86
18813	Eaton	Drive	.85	20120	Eaton	Drive	.86
1890	Eaton	Drive	.85	20121	Eaton	Drive	.86
1891	Eaton	Drive	.85	20200	Eaton	Drive	.86
1892	Eaton	Drive	.85	20220	Eaton	Drive	.86
1893	Eaton	Drive	.85	20300	Eaton	Drive	.86
1895	Eaton	Drive	.85	20320	Eaton	Drive	.86
1896	Eaton	Drive	.85	20500	Eaton	Drive	.86
18 Series				20501	Eaton	Drive	.86
(Van Hool Bus)	Eaton	Drive	.85	20502	Eaton	Drive	.86
1900	Eaton	Drive	.85	20503	Eaton	Drive	.86
19000 Series	Eaton	Drive	.85	20800	Eaton	Drive	.86
19001	Eaton	Drive	.85	20801	Eaton	Drive	.86
19050P	Eaton	Drive	.85	21060	Eaton	Drive	.86
19050S	Eaton	Drive	.85	21065S	Eaton	Drive	.86
19050T	Eaton	Drive	.85	21065T	Eaton	Drive	.86
19055D	Eaton	Drive	.85	21100	Eaton	Drive	.86
19055S	Eaton	Drive	.85	21101	Eaton	Drive	.86
19055T	Eaton	Drive	.85	21121	Eaton	Drive	.86
1910	Eaton	Drive	.85	21127	Eaton	Drive	.86
19100	Eaton	Drive	.85	21200	Eaton	Drive	.86
19100-1	Eaton	Drive	.85	21201	Eaton	Drive	.86
19101	Eaton	Drive	.85	21221	Eaton	Drive	.86

For in-text symbols, see page 5A.

Axle numerical listing

Axle	Manufacturer	Section	Pg. no.	Axle	Manufacturer	Section	Pg. no.
21223	Eaton	Drive	86	2627	Eaton	Drive	86
21227	Eaton	Drive	86	26321	Eaton	Drive	86
21321	Eaton	Drive	86	26421	Eaton	Drive	86
21421	Eaton	Drive	86	26426	Eaton	Drive	86
22060S	Eaton	Drive	86	2695	Eaton	Drive	86
22065S	Eaton	Drive	86	2696	Eaton	Drive	86
22065T	Eaton	Drive	86	2730	Eaton	Drive	86
22100	Eaton	Drive	86	2731	Eaton	Drive	86
22101	Eaton	Drive	86	2750	Eaton	Drive	86
22121	Eaton	Drive	86	2817	Eaton	Drive	86
22127	Eaton	Drive	86	28M	Eaton	Drive	86
22200	Eaton	Drive	86	28MF	Eaton	Drive	86
22201	Eaton	Drive	86	28MFA	Eaton	Drive	86
22221	Eaton	Drive	86	28MR	Eaton	Drive	86
22227	Eaton	Drive	86	28MRA	Eaton	Drive	86
22321	Eaton	Drive	86	28R	Eaton	Drive	86
22421	Eaton	Drive	86	30D	Eaton	Drive	86
22500	Eaton	Drive	86	30D3	Eaton	Drive	86
22501	Eaton	Drive	86	30DP	Eaton	Drive	86
22L	Eaton	Drive	86	30DPA	Eaton	Drive	86
22M	Eaton	Drive	86	30DPC	Eaton	Drive	86
22MF	Eaton	Drive	86	30DS	Eaton	Drive	86
22MR	Eaton	Drive	86	30DSA	Eaton	Drive	86
22R	Eaton	Drive	86	30DSC	Eaton	Drive	86
2300S	Eaton	Drive	86	30DSE	Eaton	Drive	86
23070P	Eaton	Drive	86	30DT	Eaton	Drive	86
23070S	Eaton	Drive	86	30DTA	Eaton	Drive	86
23070T	Eaton	Drive	86	30DTC	Eaton	Drive	86
230T4	Eaton	Drive	86	30DTC3	Eaton	Drive	86
23100	Eaton	Drive	86	30M	Eaton	Drive	86
23101	Eaton	Drive	86	30MF	Eaton	Drive	87
23105	Eaton	Drive	86	30MR	Eaton	Drive	87
23105C	Eaton	Drive	86	30R	Eaton	Drive	87
23105S	Eaton	Drive	86	30R3	Eaton	Drive	87
23121	Eaton	Drive	86	30RP	Eaton	Drive	87
23200	Eaton	Drive	86	30RPA	Eaton	Drive	87
23201	Eaton	Drive	86	30RPC	Eaton	Drive	87
23221	Eaton	Drive	86	30RS	Eaton	Drive	87
23300	Eaton	Drive	86	30RSA	Eaton	Drive	87
23321	Eaton	Drive	86	30RSC	Eaton	Drive	87
23400	Eaton	Drive	86	30RT	Eaton	Drive	87
23420	Eaton	Drive	86	30RTA	Eaton	Drive	87
23421	Eaton	Drive	86	30RTC	Eaton	Drive	87
23L	Eaton	Drive	86	30RTC3	Eaton	Drive	87
23L501	Eaton	Drive	86	32M	Eaton	Drive	87
23R	Eaton	Drive	86	32MF	Eaton	Drive	87
24L	Eaton	Drive	86	32MR	Eaton	Drive	87
25LD	Eaton	Drive	86	32R	Eaton	Drive	87
25LD501	Eaton	Drive	86	3400	Eaton	Drive	87
25R	Eaton	Drive	86	34C	Eaton	Drive	87
25RD	Eaton	Drive	86	34D	Eaton	Drive	87
2602	Eaton	Drive	86	34D3	Eaton	Drive	87
2603	Eaton	Drive	86	34D3B	Eaton	Drive	87
26085P	Eaton	Drive	86	34D3C	Eaton	Drive	87
26085S	Eaton	Drive	86	34D3D	Eaton	Drive	87
26085T	Eaton	Drive	86	34D3E	Eaton	Drive	87
2610	Eaton	Drive	86	34DP	Eaton	Drive	87
26100	Eaton	Drive	86	34DPA	Eaton	Drive	87
2611	Eaton	Drive	86	34DPB	Eaton	Drive	87
26121	Eaton	Drive	86	34DPC	Eaton	Drive	87
2613	Eaton	Drive	86	34DPD	Eaton	Drive	87
26134	Eaton	Drive	86	34DPE	Eaton	Drive	87
2614	Eaton	Drive	86	34DPH	Eaton	Drive	87
2615	Eaton	Drive	86	34DPK	Eaton	Drive	87
2616	Eaton	Drive	86	34DPN	Eaton	Drive	87
26200	Eaton	Drive	86	34DS	Eaton	Drive	87
26221	Eaton	Drive	86	34DSA	Eaton	Drive	87

Axle numerical listing

Axle	Manufacturer	Section	Pg. no.	Axle	Manufacturer	Section	Pg. no.
34DSB	Eaton	Drive	87	38DSC	Eaton	Drive	87
34DSC	Eaton	Drive	87	38DSD	Eaton	Drive	87
34DSD	Eaton	Drive	87	38DSE	Eaton	Drive	87
34DSE	Eaton	Drive	87	38DSK	Eaton	Drive	87
34DSK	Eaton	Drive	87	38DSN	Eaton	Drive	87
34DSN	Eaton	Drive	87	38DT	Eaton	Drive	87
34DT	Eaton	Drive	87	38DT3	Eaton	Drive	87
34DT3	Eaton	Drive	87	38DTA	Eaton	Drive	87
34DTA	Eaton	Drive	87	38DTB	Eaton	Drive	87
34DTB	Eaton	Drive	87	38DTC	Eaton	Drive	87
34DTC	Eaton	Drive	87	38DTC3	Eaton	Drive	87
34DTD	Eaton	Drive	87	38DTD	Eaton	Drive	87
34DTE	Eaton	Drive	87	38DTE	Eaton	Drive	87
34DTK	Eaton	Drive	87	38DTK	Eaton	Drive	87
34DTN	Eaton	Drive	87	38DTN	Eaton	Drive	87
34M	Eaton	Drive	87	38R3	Eaton	Drive	87
34MF	Eaton	Drive	87	38R3B	Eaton	Drive	87
34MR	Eaton	Drive	87	38R3C	Eaton	Drive	87
34R	Eaton	Drive	87	38R3D	Eaton	Drive	87
34R3	Eaton	Drive	87	38R3E	Eaton	Drive	87
34R3B	Eaton	Drive	87	38RP	Eaton	Drive	87
34R3C	Eaton	Drive	87	38RPA	Eaton	Drive	87
34R3D	Eaton	Drive	87	38RPB	Eaton	Drive	87
34R3E	Eaton	Drive	87	38RPC	Eaton	Drive	87
34RP	Eaton	Drive	87	38RPD	Eaton	Drive	87
34RPA	Eaton	Drive	87	38RPE	Eaton	Drive	87
34RPB	Eaton	Drive	87	38RS	Eaton	Drive	87
34RPC	Eaton	Drive	87	38RSA	Eaton	Drive	87
34RPD	Eaton	Drive	87	38RSB	Eaton	Drive	87
34RPE	Eaton	Drive	87	38RSC	Eaton	Drive	87
34RPH	Eaton	Drive	87	38RSD	Eaton	Drive	87
34RS	Eaton	Drive	87	38RSE	Eaton	Drive	87
34RSA	Eaton	Drive	87	38RT	Eaton	Drive	87
34RSB	Eaton	Drive	87	38RT3	Eaton	Drive	87
34RSC	Eaton	Drive	87	38RTB	Eaton	Drive	87
34RSD	Eaton	Drive	87	38RTC	Eaton	Drive	87
34RSE	Eaton	Drive	87	38RTC3	Eaton	Drive	87
34RT	Eaton	Drive	87	38RTD	Eaton	Drive	87
34RT3	Eaton	Drive	87	38RTE	Eaton	Drive	87
34RTA	Eaton	Drive	87	38 Series	Eaton	Drive	87
34RTB	Eaton	Drive	87	38 Series			
34RTC	Eaton	Drive	87	(Van Hool Bus)	Eaton	Drive	88
34RTD	Eaton	Drive	87	42000	Eaton	Drive	88
34RTE	Eaton	Drive	87	42D	Eaton	Drive	88
34 Series	Eaton	Drive	87	42D3	Eaton	Drive	88
35327	Eaton	Drive	87	42DP	Eaton	Drive	88
36M	Eaton	Drive	87	42DPB	Eaton	Drive	88
36MF	Eaton	Drive	87	42DPC	Eaton	Drive	88
36MR	Eaton	Drive	87	42DPD	Eaton	Drive	88
36R	Eaton	Drive	87	42DS	Eaton	Drive	88
36 Series	Eaton	Drive	87	42DSA	Eaton	Drive	88
3802	Eaton	Drive	87	42DT	Eaton	Drive	88
38D	Eaton	Drive	87	42DTA	Eaton	Drive	88
38D3	Eaton	Drive	87	42DTB	Eaton	Drive	88
38D3B	Eaton	Drive	87	42DTD	Eaton	Drive	88
38D3C	Eaton	Drive	87	42M	Eaton	Drive	88
38D3D	Eaton	Drive	87	42MF	Eaton	Drive	88
38D3E	Eaton	Drive	87	42MR	Eaton	Drive	88
38DP	Eaton	Drive	87	42R3	Eaton	Drive	88
38DPA	Eaton	Drive	87	42RP	Eaton	Drive	88
38DPB	Eaton	Drive	87	42RS	Eaton	Drive	88
38DPC	Eaton	Drive	87	42RT	Eaton	Drive	88
38DPD	Eaton	Drive	87	44D	Eaton	Drive	88
38DPE	Eaton	Drive	87	44DP	Eaton	Drive	88
38DS	Eaton	Drive	87	44DS	Eaton	Drive	88
38DSA	Eaton	Drive	87	44DSM	Eaton	Drive	88
38DSB	Eaton	Drive	87	44DT	Eaton	Drive	88

For in-text symbols, see page 5A.

Axle numerical listing

Axle	Manufacturer	Section	Pg. no.	Axle	Manufacturer	Section	Pg. no.
44R	Eaton	Drive	88	DC460P	Eaton	Drive	88
44RP	Eaton	Drive	88	DC461P	Eaton	Drive	88
44RS	Eaton	Drive	88	DC480P	Eaton	Drive	88
44RSM	Eaton	Drive	88	DC521P	Eaton	Drive	88
44RT	Eaton	Drive	88	DC581P	Eaton	Drive	88
44 Series	Eaton	Drive	88	DF380	Eaton	Drive	88
46M	Eaton	Drive	88	DI340P	Eaton	Drive	88
46MF	Eaton	Drive	88	DP340	Eaton	Drive	88
46MR	Eaton	Drive	88	DP340P	Eaton	Drive	88
46R	Eaton	Drive	88	DP341	Eaton	Drive	88
50D	Eaton	Drive	88	DP341P	Eaton	Drive	88
50DP	Eaton	Drive	88	DP380	Eaton	Drive	88
50DT	Eaton	Drive	88	DP380P	Eaton	Drive	88
50M	Eaton	Drive	88	DP381	Eaton	Drive	88
50R	Eaton	Drive	88	DP381P	Eaton	Drive	88
50RP	Eaton	Drive	88	DP400	Eaton	Drive	88
50RT	Eaton	Drive	88	DP400P	Eaton	Drive	88
50 Series	Eaton	Drive	88	DP401	Eaton	Drive	88
65D	Eaton	Drive	88	DP401P	Eaton	Drive	88
6600	Eaton	Drive	88	DP402	Eaton	Drive	88
6601	Eaton	Drive	88	DP402P	Eaton	Drive	88
6802	Eaton	Drive	88	DP406P	Eaton	Drive	88
6803	Eaton	Drive	88	DP440	Eaton	Drive	88
70-SRWFF	Eaton	Drive	88	DP440P	Eaton	Drive	88
7800	Eaton	Drive	88	DP451P	Eaton	Drive	88
7801	Eaton	Drive	88	DP456P	Eaton	Drive	88
7810	Eaton	Drive	88	DP460P	Eaton	Drive	88
80RWFF	Eaton	Drive	88	DP461P	Eaton	Drive	88
8800	Eaton	Drive	88	DP480	Eaton	Drive	88
8802	Eaton	Drive	88	DP480P	Eaton	Drive	88
8803	Eaton	Drive	88	DP481	Eaton	Drive	88
8812	Eaton	Drive	88	DP481P	Eaton	Drive	88
8813	Eaton	Drive	88	DP485P	Eaton	Drive	88
9502	Eaton	Drive	88	DP50	Eaton	Drive	88
9503	Eaton	Drive	88	DP521P	Eaton	Drive	88
9512	Eaton	Drive	88	DP550	Eaton	Drive	88
9515	Eaton	Drive	88	DP580	Eaton	Drive	88
D340	Eaton	Drive	88	DP580P	Eaton	Drive	88
D340P	Eaton	Drive	88	DP581P	Eaton	Drive	88
D341P3	Eaton	Drive	88	DP601P	Eaton	Drive	88
D-341 Series	Eaton	Drive	88	DP650	Eaton	Drive	88
D-344-P	Eaton	Drive	88	DP650P	Eaton	Drive	88
D34P3	Eaton	Drive	88	DP651P	Eaton	Drive	88
D380	Eaton	Drive	88	DS340	Eaton	Drive	88
D-381	Eaton	Drive	88	DS340P	Eaton	Drive	88
D381-P	Eaton	Drive	88	DS341	Eaton	Drive	88
D400	Eaton	Drive	88	DS341P	Eaton	Drive	88
D401-P	Eaton	Drive	88	DS380	Eaton	Drive	88
D402-P	Eaton	Drive	88	DS380P	Eaton	Drive	88
D404-P	Eaton	Drive	88	DS381	Eaton	Drive	88
D440P	Eaton	Drive	88	DS381P	Eaton	Drive	88
D454-P	Eaton	Drive	88	DS386P	Eaton	Drive	89
D461-P	Eaton	Drive	88	DS400	Eaton	Drive	89
D480P	Eaton	Drive	88	DS400P	Eaton	Drive	89
D521-P	Eaton	Drive	88	DS401	Eaton	Drive	89
D550	Eaton	Drive	88	DS401P	Eaton	Drive	89
D580-P	Eaton	Drive	88	DS402	Eaton	Drive	89
D581-P	Eaton	Drive	88	DS402P	Eaton	Drive	89
D601-P	Eaton	Drive	88	DS440	Eaton	Drive	89
D650	Eaton	Drive	88	DS440P	Eaton	Drive	89
D650-P	Eaton	Drive	88	DS451P	Eaton	Drive	89
D651-P	Eaton	Drive	88	DS456P	Eaton	Drive	89
DC341	Eaton	Drive	88	DS460P	Eaton	Drive	89
DC381	Eaton	Drive	88	DS461P	Eaton	Drive	89
DC401P	Eaton	Drive	88	DS480P	Eaton	Drive	89
DC402	Eaton	Drive	88	DS521P	Eaton	Drive	89
DC451P	Eaton	Drive	88	DS581P	Eaton	Drive	89

Axle numerical listing

Axle	Manufacturer	Section	Pg. no.	Axle	Manufacturer	Section	Pg. no.
DS650P	Eaton	Drive	89	RS400	Eaton	Drive	89
DSP50	Eaton	Drive	89	RS440	Eaton	Drive	89
DT340	Eaton	Drive	89	RS460	Eaton	Drive	89
DT340P	Eaton	Drive	89	RS480	Eaton	Drive	89
DT341	Eaton	Drive	89	RT340	Eaton	Drive	89
DT341P	Eaton	Drive	89	RT341	Eaton	Drive	89
DT380	Eaton	Drive	89	RT380	Eaton	Drive	89
DT380P	Eaton	Drive	89	RT381	Eaton	Drive	89
DT381	Eaton	Drive	89	RT400	Eaton	Drive	89
DT381P	Eaton	Drive	89	RT401	Eaton	Drive	89
DT400	Eaton	Drive	89	RT402	Eaton	Drive	89
DT400P	Eaton	Drive	89	RT440	Eaton	Drive	89
DT401	Eaton	Drive	89	RT451	Eaton	Drive	89
DT401P	Eaton	Drive	89	RT460P	Eaton	Drive	89
DT402	Eaton	Drive	89	RT460T	Eaton	Drive	89
DT402P	Eaton	Drive	89	RT480	Eaton	Drive	89
DT440	Eaton	Drive	89	RT485	Eaton	Drive	89
DT440P	Eaton	Drive	89	SP50	Eaton	Drive	89
DT441P	Eaton	Drive	89	SP521	Eaton	Drive	89
DT451P	Eaton	Drive	89	SP550	Eaton	Drive	89
DT460P	Eaton	Drive	89	SP580	Eaton	Drive	89
DT461P	Eaton	Drive	89	SP601	Eaton	Drive	89
DT480P	Eaton	Drive	89	SP650	Eaton	Drive	89
DT481P	Eaton	Drive	89	SP651	Eaton	Drive	89
DT485P	Eaton	Drive	89	ST480	Eaton	Drive	89
DT50	Eaton	Drive	89	T-550	Eaton	Drive	89
DT521P	Eaton	Drive	89	T-650	Eaton	Drive	89
DT601P	Eaton	Drive	89	T-550-P	Eaton	Drive	89
DT651P	Eaton	Drive	89	T-650-P	Eaton	Drive	89
E23105C	Eaton	Drive	89	TP521	Eaton	Drive	89
E23105S	Eaton	Drive	89	TP550	Eaton	Drive	89
E-660G	Eaton	Drive	89	TP580	Eaton	Drive	89
EG660	Eaton	Drive	89	TP601	Eaton	Drive	89
P174	Eaton	Drive	89	TP650	Eaton	Drive	89
P601	Eaton	Drive	89	TP651	Eaton	Drive	89
P-652-P	Eaton	Drive	89	U191RC	Eaton	Drive	89
R	Eaton	Drive	89	33	FWD	Drive	105
R340	Eaton	Drive	89	33A	FWD	Drive	105
R380	Eaton	Drive	89	3B	FWD	Drive	105
R400	Eaton	Drive	89	3C	FWD	Drive	105
RC341	Eaton	Drive	89	3D	FWD	Drive	105
RC381	Eaton	Drive	89	3SC	FWD	Drive	105
RC401	Eaton	Drive	89	3SCB	FWD	Drive	105
RC402	Eaton	Drive	89	3SD	FWD	Drive	105
RC451	Eaton	Drive	89	3SDC	FWD	Drive	105
RC460	Eaton	Drive	89	506D	FWD	Drive	105
RC461	Eaton	Drive	89	509	FWD	Drive	105
RC480	Eaton	Drive	89	509D	FWD	Drive	105
RC521	Eaton	Drive	89	5454	FWD	Drive	105
RP340	Eaton	Drive	89	5644	FWD	Drive	105
RP341	Eaton	Drive	89	6-33	FWD	Drive	105
RP380	Eaton	Drive	89	6-33AR	FWD	Drive	105
RP381	Eaton	Drive	89	6-33ART	FWD	Drive	105
RP400	Eaton	Drive	89	6-33H	FWD	Drive	105
RP401	Eaton	Drive	89	HR	FWD	Drive	105
RP402	Eaton	Drive	89	LD	FWD	Drive	105
RP440	Eaton	Drive	89	M10	FWD	Drive	105
RP451	Eaton	Drive	89	M10D	FWD	Drive	105
RP460	Eaton	Drive	89	M10G	FWD	Drive	105
RP480	Eaton	Drive	89	M6X6	FWD	Drive	105
RP481	Eaton	Drive	89	M6X6G	FWD	Drive	105
RP550	Eaton	Drive	89	M6X6GM	FWD	Drive	105
RP580	Eaton	Drive	89	M7	FWD	Drive	105
RP650	Eaton	Drive	89	M7D	FWD	Drive	105
RPD	Eaton	Drive	89	M7G	FWD	Drive	105
RS340	Eaton	Drive	89	YU	FWD	Drive	105
RS380	Eaton	Drive	89	ZU	FWD	Drive	105

For in-text symbols, see page 5A.

Axle numerical listing

Axle	Manufacturer	Section	Pg. no.	Axle	Manufacturer	Section	Pg. no.
2501	Federal	Drive	106	1Q	Ford	Drive	108
2501T	Federal	Drive	106	1R	Ford	Drive	108
2502	Federal	Drive	106	1T	Ford	Drive	108
2502T	Federal	Drive	106	1U	Ford	Drive	108
2521	Federal	Drive	106	1V	Ford	Drive	108
2951	Federal	Drive	106	1W	Ford	Drive	108
4401	Federal	Drive	106	1X	Ford	Drive	108
4402	Federal	Drive	106	1Y	Ford	Drive	108
182 Series	Flxible	Drive	106	1Z	Ford	Drive	108
218DWX1	Flxible	Drive	106	21	Ford	Drive	108
218DWX7	Flxible	Drive	106	23	Ford	Drive	108
218 Series	Flxible	Drive	106	24	Ford	Drive	108
21B1	Flxible	Drive	106	25	Ford	Drive	108
228F1-56	Flxible	Drive	106	27	Ford	Drive	108
228JT1-56	Flxible	Drive	106	29	Ford	Drive	108
23B2	Flxible	Drive	106	2A	Ford	Drive	108
23B3	Flxible	Drive	106	2B	Ford	Drive	108
25B1	Flxible	Drive	106	2C	Ford	Drive	108
25C149	Flxible	Drive	106	2D	Ford	Drive	108
29B1	Flxible	Drive	106	2E	Ford	Drive	108
29B150	Flxible	Drive	106	2F	Ford	Drive	108
29B6	Flxible	Drive	106	2G	Ford	Drive	108
29HD1	Flxible	Drive	106	2H	Ford	Drive	108
33B7	Flxible	Drive	106	2I	Ford	Drive	108
37C1	Flxible	Drive	106	2J	Ford	Drive	108
FT30	Flxible	Drive	106	2K	Ford	Drive	108
FT33	Flxible	Drive	106	2L	Ford	Drive	108
FT35	Flxible	Drive	106	2M	Ford	Drive	108
FT40	Flxible	Drive	106	2N	Ford	Drive	108
59733WX	Flxible (Transit Bus)	Drive	107	2P	Ford	Drive	108
01	Ford	Drive	107	2Q	Ford	Drive	108
02	Ford	Drive	107	2R	Ford	Drive	108
03	Ford	Drive	107	2T	Ford	Drive	108
04	Ford	Drive	107	2U	Ford	Drive	108
05	Ford	Drive	107	2V	Ford	Drive	108
06	Ford	Drive	107	2W	Ford	Drive	108
07	Ford	Drive	107	2X	Ford	Drive	108
0A	Ford	Drive	107	2Y	Ford	Drive	108
0B	Ford	Drive	107	2Z	Ford	Drive	108
0C	Ford	Drive	107	30	Ford	Drive	108
0D	Ford	Drive	107	32	Ford	Drive	108
0E	Ford	Drive	107	34	Ford	Drive	108
0F	Ford	Drive	107	37	Ford	Drive	108
0G	Ford	Drive	107	38	Ford	Drive	108
0W	Ford	Drive	107	39	Ford	Drive	108
11	Ford	Drive	107	3A	Ford	Drive	108
13	Ford	Drive	107	3B	Ford	Drive	108
14	Ford	Drive	107	3C	Ford	Drive	108
15	Ford	Drive	107	3D	Ford	Drive	108
17	Ford	Drive	107	3E	Ford	Drive	108
18	Ford	Drive	107	3F	Ford	Drive	108
19	Ford	Drive	107	3G	Ford	Drive	108
1A	Ford	Drive	107	3H	Ford	Drive	108
1B	Ford	Drive	107	3I	Ford	Drive	108
1C	Ford	Drive	107	3J	Ford	Drive	109
1D	Ford	Drive	107	3K	Ford	Drive	109
1E	Ford	Drive	107	3L	Ford	Drive	109
1F	Ford	Drive	107	3M	Ford	Drive	109
1G	Ford	Drive	107	3N	Ford	Drive	109
1H	Ford	Drive	107	3P	Ford	Drive	109
1I	Ford	Drive	107	3Q	Ford	Drive	109
1J	Ford	Drive	107	3R	Ford	Drive	109
1K	Ford	Drive	107	3S	Ford	Drive	109
1L	Ford	Drive	107	3T	Ford	Drive	109
1M	Ford	Drive	107	3U	Ford	Drive	109
1N	Ford	Drive	107	3W	Ford	Drive	109
1P	Ford	Drive	107	3X	Ford	Drive	109

Axle numerical listing

Axle	Manufacturer	Section	Pg. no.	Axle	Manufacturer	Section	Pg. no.
3Y	Ford	Drive	109	64	Ford	Drive	110
3Z	Ford	Drive	109	65	Ford	Drive	110
41	Ford	Drive	109	66	Ford	Drive	110
42	Ford	Drive	109	67	Ford	Drive	110
43	Ford	Drive	109	68	Ford	Drive	110
44	Ford	Drive	109	69	Ford	Drive	110
45	Ford	Drive	109	6A	Ford	Drive	110
47	Ford	Drive	109	6B	Ford	Drive	110
48	Ford	Drive	109	6C	Ford	Drive	110
49	Ford	Drive	109	6D	Ford	Drive	110
4A	Ford	Drive	109	6E	Ford	Drive	110
4B	Ford	Drive	109	6F	Ford	Drive	110
4B	Ford	Drive	109	6G	Ford	Drive	110
4C	Ford	Drive	109	6H	Ford	Drive	110
4D	Ford	Drive	109	6I	Ford	Drive	110
4E	Ford	Drive	109	6K	Ford	Drive	110
4F	Ford	Drive	109	6L	Ford	Drive	110
4G	Ford	Drive	109	6N	Ford	Drive	110
4H	Ford	Drive	109	6P	Ford	Drive	110
4I	Ford	Drive	109	6Q	Ford	Drive	110
4K	Ford	Drive	109	6R	Ford	Drive	110
4L	Ford	Drive	109	6S	Ford	Drive	110
4N	Ford	Drive	109	6T	Ford	Drive	110
4P	Ford	Drive	109	6U	Ford	Drive	110
4Q	Ford	Drive	109	6W	Ford	Drive	110
4R	Ford	Drive	109	6Y	Ford	Drive	110
4S	Ford	Drive	109	6Z	Ford	Drive	110
4T	Ford	Drive	109	71	Ford	Drive	110
4U	Ford	Drive	109	72	Ford	Drive	110
4W	Ford	Drive	109	73	Ford	Drive	110
4Y	Ford	Drive	109	74	Ford	Drive	110
4Z	Ford	Drive	109	75	Ford	Drive	110
51	Ford	Drive	109	76	Ford	Drive	110
52	Ford	Drive	109	77	Ford	Drive	110
53	Ford	Drive	109	78 (17000 lbs)	Ford	Drive	110
54	Ford	Drive	109	78 (38000 lbs)	Ford	Drive	111
55	Ford	Drive	109	79	Ford	Drive	111
56	Ford	Drive	109	7A	Ford	Drive	111
57	Ford	Drive	109	7B	Ford	Drive	111
58 (17500 lbs)	Ford	Drive	109	7C	Ford	Drive	111
58 (38000 lbs)	Ford	Drive	110	7F	Ford	Drive	111
59	Ford	Drive	110	7F	Ford	Drive	111
5A	Ford	Drive	110	7G	Ford	Drive	111
5B	Ford	Drive	110	7H	Ford	Drive	111
5C	Ford	Drive	110	7I	Ford	Drive	111
5D	Ford	Drive	110	7J	Ford	Drive	111
5E	Ford	Drive	110	7K	Ford	Drive	111
5F	Ford	Drive	110	7L	Ford	Drive	111
5G	Ford	Drive	110	7M	Ford	Drive	111
5H	Ford	Drive	110	7N	Ford	Drive	111
5I	Ford	Drive	110	7P	Ford	Drive	111
5K	Ford	Drive	110	7Q	Ford	Drive	111
5L	Ford	Drive	110	7R	Ford	Drive	111
5L	Ford	Drive	110	7S	Ford	Drive	111
5N	Ford	Drive	110	7T	Ford	Drive	111
5P	Ford	Drive	110	7U	Ford	Drive	111
5Q	Ford	Drive	110	7W	Ford	Drive	111
5R	Ford	Drive	110	7Y	Ford	Drive	111
5S	Ford	Drive	110	7Z	Ford	Drive	111
5T	Ford	Drive	110	80	Ford	Drive	111
5U	Ford	Drive	110	81	Ford	Drive	111
5W	Ford	Drive	110	82	Ford	Drive	111
5Y	Ford	Drive	110	83	Ford	Drive	111
5Z	Ford	Drive	110	84	Ford	Drive	111
61	Ford	Drive	110	85	Ford	Drive	111
62	Ford	Drive	110	86	Ford	Drive	111
63	Ford	Drive	110	87	Ford	Drive	111

For in-text symbols, see page 5A.

Axle numerical listing

Axle	Manufacturer	Section	Pg. no.	Axle	Manufacturer	Section	Pg. no.
88	Ford	Drive	111	AT	Ford	Drive	112
89	Ford	Drive	111	AU	Ford	Drive	112
8A	Ford	Drive	111	AV	Ford	Drive	112
8B	Ford	Drive	111	AW	Ford	Drive	112
8C	Ford	Drive	111	AX	Ford	Drive	112
8D	Ford	Drive	111	AZ	Ford	Drive	112
8E	Ford	Drive	111	B	Ford	Drive	112
8F	Ford	Drive	111	B0	Ford	Drive	112
8G	Ford	Drive	111	B1	Ford	Drive	112
8H	Ford	Drive	111	B2	Ford	Drive	112
8I	Ford	Drive	111	B3	Ford	Drive	112
8J	Ford	Drive	111	B4	Ford	Drive	112
8K	Ford	Drive	111	B5	Ford	Drive	112
8L	Ford	Drive	111	B6	Ford	Drive	112
8N	Ford	Drive	111	B7	Ford	Drive	112
8P	Ford	Drive	111	B8	Ford	Drive	112
8Q	Ford	Drive	111	B9	Ford	Drive	112
8T	Ford	Drive	111	BA	Ford	Drive	112
8W	Ford	Drive	111	BB	Ford	Drive	112
8Y	Ford	Drive	111	BC	Ford	Drive	112
90	Ford	Drive	111	BD	Ford	Drive	112
91	Ford	Drive	111	BE	Ford	Drive	112
92	Ford	Drive	111	BF	Ford	Drive	112
93	Ford	Drive	111	BG	Ford	Drive	112
94	Ford	Drive	111	BH	Ford	Drive	112
95 (23000 lbs)	Ford	Drive	111	BI	Ford	Drive	112
95 (34000 lbs)	Ford	Drive	112	BJ	Ford	Drive	113
96	Ford	Drive	112	BK	Ford	Drive	113
97	Ford	Drive	112	BL	Ford	Drive	113
98	Ford	Drive	112	BN	Ford	Drive	113
9A	Ford	Drive	112	BP	Ford	Drive	113
9C	Ford	Drive	112	BQ	Ford	Drive	113
9F	Ford	Drive	112	BR	Ford	Drive	113
9J	Ford	Drive	112	BS	Ford	Drive	113
9K	Ford	Drive	112	BT	Ford	Drive	113
9L	Ford	Drive	112	BU	Ford	Drive	113
9M	Ford	Drive	112	BV	Ford	Drive	113
9N	Ford	Drive	112	BW	Ford	Drive	113
9P	Ford	Drive	112	BX	Ford	Drive	113
9Q	Ford	Drive	112	BZ	Ford	Drive	113
9R	Ford	Drive	112	C	Ford	Drive	113
9S	Ford	Drive	112	C4	Ford	Drive	113
9T	Ford	Drive	112	C5	Ford	Drive	113
9U	Ford	Drive	112	C6	Ford	Drive	113
9W	Ford	Drive	112	C7	Ford	Drive	113
9X	Ford	Drive	112	C8	Ford	Drive	113
9Y	Ford	Drive	112	C9	Ford	Drive	113
A	Ford	Drive	112	CB	Ford	Drive	113
A1	Ford	Drive	112	CC	Ford	Drive	113
A2	Ford	Drive	112	CD	Ford	Drive	113
A9	Ford	Drive	112	CF	Ford	Drive	113
AB	Ford	Drive	112	CG	Ford	Drive	113
AC	Ford	Drive	112	CH	Ford	Drive	113
AD	Ford	Drive	112	CI	Ford	Drive	113
AF	Ford	Drive	112	CJ	Ford	Drive	113
AG	Ford	Drive	112	CK	Ford	Drive	113
AH	Ford	Drive	112	CL	Ford	Drive	113
AI	Ford	Drive	112	CN	Ford	Drive	113
AJ	Ford	Drive	112	CP	Ford	Drive	113
AK	Ford	Drive	112	CQ	Ford	Drive	113
AL	Ford	Drive	112	CR	Ford	Drive	113
AM	Ford	Drive	112	CS	Ford	Drive	113
AN	Ford	Drive	112	CT	Ford	Drive	113
AP	Ford	Drive	112	CV	Ford	Drive	113
AQ	Ford	Drive	112	CW	Ford	Drive	113
AR	Ford	Drive	112	CX	Ford	Drive	113
AS	Ford	Drive	112	CZ	Ford	Drive	113

Axle numerical listing

Axle	Manufacturer	Section	Pg. no.	Axle	Manufacturer	Section	Pg. no.
D	Ford	Drive	113	E9	Ford	Drive	114
D0	Ford	Drive	113	EB	Ford	Drive	114
D1	Ford	Drive	113	EC	Ford	Drive	114
D2	Ford	Drive	113	EC	Ford	Drive	114
D3	Ford	Drive	113	EC	Ford	Drive	114
D4	Ford	Drive	113	EC	Ford	Drive	114
D5	Ford	Drive	113	EF	Ford	Drive	114
D6	Ford	Drive	113	EF	Ford	Drive	114
D7	Ford	Drive	113	EF	Ford	Drive	114
D8	Ford	Drive	113	EF	Ford	Drive	114
D9	Ford	Drive	113	EG	Ford	Drive	114
DA	Ford	Drive	113	EG	Ford	Drive	114
DB	Ford	Drive	113	EH	Ford	Drive	114
DC	Ford	Drive	113	EH	Ford	Drive	114
DD	Ford	Drive	113	EH	Ford	Drive	114
DF	Ford	Drive	113	EH	Ford	Drive	114
DG	Ford	Drive	113	EH	Ford	Drive	114
DH	Ford	Drive	113	EI	Ford	Drive	114
DI	Ford	Drive	114	EI	Ford	Drive	114
DI	Ford	Drive	114	EI	Ford	Drive	114
DI	Ford	Drive	114	EI	Ford	Drive	114
DI	Ford	Drive	114	EJ	Ford	Drive	114
DJ	Ford	Drive	114	EJ	Ford	Drive	114
DJ	Ford	Drive	114	EJ	Ford	Drive	114
DJ	Ford	Drive	114	EJ	Ford	Drive	114
DJ	Ford	Drive	114	EJ	Ford	Drive	114
DJ	Ford	Drive	114	EJ	Ford	Drive	114
DJ	Ford	Drive	114	EJ	Ford	Drive	114
DJ	Ford	Drive	114	EK	Ford	Drive	114
DK	Ford	Drive	114	EK	Ford	Drive	114
DK	Ford	Drive	114	EL	Ford	Drive	114
DL	Ford	Drive	114	EL	Ford	Drive	114
DL	Ford	Drive	114	EL	Ford	Drive	114
DL	Ford	Drive	114	EL	Ford	Drive	114
DL	Ford	Drive	114	EL	Ford	Drive	114
DL	Ford	Drive	114	EN	Ford	Drive	114
DN	Ford	Drive	114	EN	Ford	Drive	114
DN	Ford	Drive	114	EN	Ford	Drive	114
DP	Ford	Drive	114	EP	Ford	Drive	114
DP	Ford	Drive	114	EP	Ford	Drive	114
DP	Ford	Drive	114	EQ	Ford	Drive	114
DQ	Ford	Drive	114	EQ	Ford	Drive	114
DQ	Ford	Drive	114	EQ	Ford	Drive	114
DR	Ford	Drive	114	ER	Ford	Drive	114
DR	Ford	Drive	114	ER	Ford	Drive	114
DR	Ford	Drive	114	ER	Ford	Drive	114
DR	Ford	Drive	114	ER	Ford	Drive	114
DR	Ford	Drive	114	ER	Ford	Drive	114
DR	Ford	Drive	114	ER	Ford	Drive	114
DR	Ford	Drive	114	ER	Ford	Drive	114
DR	Ford	Drive	114	ES	Ford	Drive	114
DS	Ford	Drive	114	ES	Ford	Drive	114
DS	Ford	Drive	114	ES	Ford	Drive	114
DS	Ford	Drive	114	ES	Ford	Drive	114
DU	Ford	Drive	114	EU	Ford	Drive	114
DV	Ford	Drive	114	EU	Ford	Drive	114
DV	Ford	Drive	114	EW	Ford	Drive	114
DV	Ford	Drive	114	EW	Ford	Drive	114
DV	Ford	Drive	114	EX	Ford	Drive	114
DV	Ford	Drive	114	EX	Ford	Drive	114
DV	Ford	Drive	114	EZ	Ford	Drive	114
DW	Ford	Drive	114	EZ	Ford	Drive	114
DW	Ford	Drive	114	F	Ford	Drive	114
DX	Ford	Drive	114	F1	Ford	Drive	114
DZ	Ford	Drive	114	F1	Ford	Drive	114
DZ	Ford	Drive	114	F2	Ford	Drive	114
DZ	Ford	Drive	114	F2	Ford	Drive	114
DZ	Ford	Drive	114	F2	Ford	Drive	114
E	Ford	Drive	114	F3	Ford	Drive	114
E0	Ford	Drive	114	F3	Ford	Drive	114
E1	Ford	Drive	114	F4	Ford	Drive	114
E2	Ford	Drive	114	F4	Ford	Drive	114
E3	Ford	Drive	114	F4	Ford	Drive	114
E4	Ford	Drive	114	F5	Ford	Drive	114
E5	Ford	Drive	114	F5	Ford	Drive	114
E9	Ford	Drive	114	F5	Ford	Drive	114
E9	Ford	Drive	114	F6	Ford	Drive	114
E9	Ford	Drive	114	F6	Ford	Drive	114
E9	Ford	Drive	114	F6	Ford	Drive	114
E9	Ford	Drive	114	F6	Ford	Drive	114
E9	Ford	Drive	114	F7	Ford	Drive	114
E9	Ford	Drive	114	F7	Ford	Drive	114
E9	Ford	Drive	114	F7	Ford	Drive	114
E9	Ford	Drive	114	F7	Ford	Drive	114

For in-text symbols, see page 5A.

Axle numerical listing

Axle	Manufacturer	Section	Pg. no.	Axle	Manufacturer	Section	Pg. no.
F8	Ford	Drive	114	H7	Ford	Drive	115
F9	Ford	Drive	114	H8	Ford	Drive	115
F9	Ford	Drive	114	H9	Ford	Drive	115
FB	Ford	Drive	114	HB	Ford	Drive	115
FC	Ford	Drive	114	HC	Ford	Drive	115
FC	Ford	Drive	114	HF	Ford	Drive	115
FC	Ford	Drive	114	HG	Ford	Drive	115
FC	Ford	Drive	114	HH	Ford	Drive	115
FC	Ford	Drive	114	HI	Ford	Drive	115
FF	Ford	Drive	114	HJ	Ford	Drive	115
FF	Ford	Drive	114	HK	Ford	Drive	116
FF	Ford	Drive	114	HN	Ford	Drive	116
FF	Ford	Drive	114	HP	Ford	Drive	116
FG	Ford	Drive	114	HQ	Ford	Drive	116
FG	Ford	Drive	114	HR	Ford	Drive	116
FG	Ford	Drive	114	HT	Ford	Drive	116
FH	Ford	Drive	114	HU	Ford	Drive	116
FH	Ford	Drive	114	HW	Ford	Drive	116
FH	Ford	Drive	114	IF	Ford	Drive	116
FH	Ford	Drive	114	IQ	Ford	Drive	116
FI	Ford	Drive	114	IT	Ford	Drive	116
FI	Ford	Drive	114	IW	Ford	Drive	116
FI	Ford	Drive	114	J1	Ford	Drive	116
FI	Ford	Drive	114	J2	Ford	Drive	116
FJ	Ford	Drive	114	J3	Ford	Drive	116
FK	Ford	Drive	115	J4	Ford	Drive	116
FL	Ford	Drive	115	JA	Ford	Drive	116
FM	Ford	Drive	115	JB	Ford	Drive	116
FN	Ford	Drive	115	JF	Ford	Drive	116
FP	Ford	Drive	115	JG	Ford	Drive	116
FQ	Ford	Drive	115	JH	Ford	Drive	116
FR	Ford	Drive	115	JI	Ford	Drive	116
FS	Ford	Drive	115	JJ	Ford	Drive	116
FU	Ford	Drive	115	JK	Ford	Drive	116
FW	Ford	Drive	115	JQ	Ford	Drive	116
FX	Ford	Drive	115	JT	Ford	Drive	116
FZ	Ford	Drive	115	JU	Ford	Drive	116
G	Ford	Drive	115	JW	Ford	Drive	116
G2	Ford	Drive	115	K0	Ford	Drive	116
G3	Ford	Drive	115	K1	Ford	Drive	116
G4	Ford	Drive	115	K2	Ford	Drive	116
G5	Ford	Drive	115	K3	Ford	Drive	116
G6	Ford	Drive	115	K4	Ford	Drive	116
G7	Ford	Drive	115	K5	Ford	Drive	116
G9	Ford	Drive	115	K6	Ford	Drive	116
GB	Ford	Drive	115	K7	Ford	Drive	116
GC	Ford	Drive	115	K8	Ford	Drive	116
GF	Ford	Drive	115	K9	Ford	Drive	116
GG	Ford	Drive	115	KA	Ford	Drive	116
GH	Ford	Drive	115	KB	Ford	Drive	116
GI	Ford	Drive	115	KF	Ford	Drive	116
GJ	Ford	Drive	115	KH	Ford	Drive	116
GK	Ford	Drive	115	KI	Ford	Drive	116
GN	Ford	Drive	115	KJ	Ford	Drive	116
GP	Ford	Drive	115	KK	Ford	Drive	116
GQ	Ford	Drive	115	KQ	Ford	Drive	116
GR	Ford	Drive	115	KU	Ford	Drive	116
GS	Ford	Drive	115	KW	Ford	Drive	116
GU	Ford	Drive	115	L1	Ford	Drive	116
GW	Ford	Drive	115	L2	Ford	Drive	116
GZ	Ford	Drive	115	L3	Ford	Drive	116
H1	Ford	Drive	115	L4	Ford	Drive	116
H2	Ford	Drive	115	L5	Ford	Drive	116
H3	Ford	Drive	115	LA	Ford	Drive	116
H4	Ford	Drive	115	LB	Ford	Drive	116
H5	Ford	Drive	115	LF	Ford	Drive	116
H6	Ford	Drive	115	LG	Ford	Drive	116

Axle numerical listing

Axle	Manufacturer	Section	Pg. no.	Axle	Manufacturer	Section	Pg. no.
LJ	Ford	Drive	116	QA	Ford	Drive	117
LQ	Ford	Drive	116	QB	Ford	Drive	117
M0	Ford	Drive	116	QC	Ford	Drive	117
M1	Ford	Drive	116	QD	Ford	Drive	117
M2	Ford	Drive	116	QE	Ford	Drive	117
M3	Ford	Drive	116	QF	Ford	Drive	117
M4	Ford	Drive	116	QG	Ford	Drive	117
M5	Ford	Drive	116	QP	Ford	Drive	117
M6	Ford	Drive	116	QX	Ford	Drive	117
M7	Ford	Drive	116	R1	Ford	Drive	117
M8	Ford	Drive	116	R2	Ford	Drive	117
M9	Ford	Drive	116	R3	Ford	Drive	117
MA	Ford	Drive	116	R4	Ford	Drive	117
MB	Ford	Drive	116	R6	Ford	Drive	117
MC	Ford	Drive	116	R7	Ford	Drive	117
MD	Ford	Drive	116	RC	Ford	Drive	117
ME	Ford	Drive	117	RD	Ford	Drive	117
MF	Ford	Drive	117	RE	Ford	Drive	117
MG	Ford	Drive	117	RF	Ford	Drive	117
MQ	Ford	Drive	117	RG	Ford	Drive	117
N1	Ford	Drive	117	RH	Ford	Drive	117
N2	Ford	Drive	117	RJ	Ford	Drive	117
N3	Ford	Drive	117	RK	Ford	Drive	117
N4	Ford	Drive	117	RM	Ford	Drive	117
N5	Ford	Drive	117	RP	Ford	Drive	117
N6	Ford	Drive	117	RS	Ford	Drive	117
N7	Ford	Drive	117	RV	Ford	Drive	117
N8	Ford	Drive	117	RW	Ford	Drive	117
N9	Ford	Drive	117	RX	Ford	Drive	117
NA	Ford	Drive	117	RY	Ford	Drive	117
NB	Ford	Drive	117	S1	Ford	Drive	117
NC	Ford	Drive	117	S2	Ford	Drive	117
ND	Ford	Drive	117	S3	Ford	Drive	117
NE	Ford	Drive	117	S4	Ford	Drive	117
NF	Ford	Drive	117	S5	Ford	Drive	118
NG	Ford	Drive	117	S6	Ford	Drive	118
NH	Ford	Drive	117	S7	Ford	Drive	118
NX	Ford	Drive	117	SA	Ford	Drive	118
O1	Ford	Drive	117	SB	Ford	Drive	118
O2	Ford	Drive	117	SC	Ford	Drive	118
O3	Ford	Drive	117	SK	Ford	Drive	118
O4	Ford	Drive	117	SL	Ford	Drive	118
O5	Ford	Drive	117	T1	Ford	Drive	118
O6	Ford	Drive	117	T2	Ford	Drive	118
O7	Ford	Drive	117	T3	Ford	Drive	118
OB	Ford	Drive	117	T4	Ford	Drive	118
OX	Ford	Drive	117	T5	Ford	Drive	118
P1	Ford	Drive	117	T7	Ford	Drive	118
P2	Ford	Drive	117	TA	Ford	Drive	118
P3	Ford	Drive	117	TB	Ford	Drive	118
P4	Ford	Drive	117	TC	Ford	Drive	118
P5	Ford	Drive	117	TD	Ford	Drive	118
P9	Ford	Drive	117	TE	Ford	Drive	118
PA	Ford	Drive	117	TF	Ford	Drive	118
PB	Ford	Drive	117	TG	Ford	Drive	118
PC	Ford	Drive	117	TH	Ford	Drive	118
PD	Ford	Drive	117	TJ	Ford	Drive	118
PE	Ford	Drive	117	TK	Ford	Drive	118
PK	Ford	Drive	117	TL	Ford	Drive	118
PX	Ford	Drive	117	TQ	Ford	Drive	118
Q1	Ford	Drive	117	TR	Ford	Drive	118
Q2	Ford	Drive	117	TV	Ford	Drive	118
Q3	Ford	Drive	117	U2	Ford	Drive	118
Q4	Ford	Drive	117	U3	Ford	Drive	118
Q5	Ford	Drive	117	U4	Ford	Drive	118
Q6	Ford	Drive	117	U5	Ford	Drive	118
Q7	Ford	Drive	117	U5	Ford	Drive	118

For in-text symbols, see page 5A.

Axle numerical listing

Axle	Manufacturer	Section	Pg. no.	Axle	Manufacturer	Section	Pg. no.
U6.....	Ford	Drive	118	X7.....	Ford	Drive	119
U7.....	Ford	Drive	118	X8.....	Ford	Drive	119
U8.....	Ford	Drive	118	X9.....	Ford	Drive	119
UB.....	Ford	Drive	118	XA.....	Ford	Drive	119
UC.....	Ford	Drive	118	XB.....	Ford	Drive	119
UD.....	Ford	Drive	118	XC.....	Ford	Drive	119
UE.....	Ford	Drive	118	XD.....	Ford	Drive	119
UF.....	Ford	Drive	118	XE.....	Ford	Drive	119
UH.....	Ford	Drive	118	XF.....	Ford	Drive	119
UJ.....	Ford	Drive	118	XK.....	Ford	Drive	119
UL.....	Ford	Drive	118	XP.....	Ford	Drive	119
UX.....	Ford	Drive	118	XQ.....	Ford	Drive	119
UY.....	Ford	Drive	118	XS.....	Ford	Drive	119
V1.....	Ford	Drive	118	XT.....	Ford	Drive	119
V2.....	Ford	Drive	118	Y1.....	Ford	Drive	119
V3.....	Ford	Drive	118	Y2.....	Ford	Drive	119
V4.....	Ford	Drive	118	Y3.....	Ford	Drive	119
V5.....	Ford	Drive	118	Y4.....	Ford	Drive	119
V6.....	Ford	Drive	118	Y5.....	Ford	Drive	119
V7.....	Ford	Drive	118	YA.....	Ford	Drive	119
V8.....	Ford	Drive	118	YB.....	Ford	Drive	119
V9.....	Ford	Drive	118	YC.....	Ford	Drive	119
VA.....	Ford	Drive	118	YD.....	Ford	Drive	119
VB.....	Ford	Drive	118	YE.....	Ford	Drive	119
VC.....	Ford	Drive	118	YM.....	Ford	Drive	119
VD.....	Ford	Drive	118	YN.....	Ford	Drive	119
VE.....	Ford	Drive	118	YQ.....	Ford	Drive	119
VF.....	Ford	Drive	118	YR.....	Ford	Drive	119
VH.....	Ford	Drive	118	YS.....	Ford	Drive	119
VJ.....	Ford	Drive	118	YT.....	Ford	Drive	119
VL.....	Ford	Drive	118	YU.....	Ford	Drive	119
VM.....	Ford	Drive	118	YV.....	Ford	Drive	119
VN.....	Ford	Drive	118	YW.....	Ford	Drive	119
W1.....	Ford	Drive	118	Z1.....	Ford	Drive	119
W2.....	Ford	Drive	118	Z2.....	Ford	Drive	119
W3.....	Ford	Drive	118	Z3.....	Ford	Drive	119
W4.....	Ford	Drive	118	ZY.....	Ford	Drive	119
W5.....	Ford	Drive	118	18D.....	Freightliner	Drive	120
W6.....	Ford	Drive	118	19 Series.....	Freightliner	Drive	120
W7.....	Ford	Drive	118	38000 lbs.....	Freightliner	Drive	120
W8 (17500 lbs).....	Ford	Drive	118	38D.....	Freightliner	Drive	120
W8 (38000 lbs).....	Ford	Drive	119	40000 lbs.....	Freightliner	Drive	120
W9.....	Ford	Drive	119	44D.....	Freightliner	Drive	120
WA.....	Ford	Drive	119	1350.....	GMC	Drive	120
WB.....	Ford	Drive	119	13600.....	GMC	Drive	120
WC.....	Ford	Drive	119	13602.....	GMC	Drive	120
WD.....	Ford	Drive	119	13800.....	GMC	Drive	120
WF.....	Ford	Drive	119	13802.....	GMC	Drive	120
WG.....	Ford	Drive	119	13803.....	GMC	Drive	120
WH.....	Ford	Drive	119	15040S.....	GMC	Drive	120
WK.....	Ford	Drive	119	15040T.....	GMC	Drive	120
WL.....	Ford	Drive	119	15101.....	GMC	Drive	120
WM.....	Ford	Drive	119	15121.....	GMC	Drive	120
WN.....	Ford	Drive	119	15201.....	GMC	Drive	120
WQ.....	Ford	Drive	119	16000.....	GMC	Drive	120
WR.....	Ford	Drive	119	16051.....	GMC	Drive	120
WS.....	Ford	Drive	119	16120.....	GMC	Drive	120
WT.....	Ford	Drive	119	16121.....	GMC	Drive	120
WU.....	Ford	Drive	119	16122.....	GMC	Drive	120
WV.....	Ford	Drive	119	1614.....	GMC	Drive	120
WW.....	Ford	Drive	119	1615.....	GMC	Drive	120
X1.....	Ford	Drive	119	1618.....	GMC	Drive	120
X2.....	Ford	Drive	119	1619.....	GMC	Drive	120
X3.....	Ford	Drive	119	16220.....	GMC	Drive	120
X4.....	Ford	Drive	119	16221.....	GMC	Drive	120
X5.....	Ford	Drive	119	16244.....	GMC	Drive	120
X6.....	Ford	Drive	119	16500.....	GMC	Drive	120

Axle numerical listing

Axle	Manufacturer	Section	Pg. no.	Axle	Manufacturer	Section	Pg. no.
16501	GMC	Drive	120	1918	GMC	Drive	121
16600	GMC	Drive	120	1919	GMC	Drive	121
16601	GMC	Drive	120	19200	GMC	Drive	121
16800	GMC	Drive	120	19201	GMC	Drive	121
16801	GMC	Drive	120	19220	GMC	Drive	121
16802	GMC	Drive	120	19221	GMC	Drive	121
16803	GMC	Drive	120	19421	GMC	Drive	121
17000	GMC	Drive	120	19500	GMC	Drive	121
17100	GMC	Drive	120	19501	GMC	Drive	121
17101	GMC	Drive	120	19502	GMC	Drive	121
17121	GMC	Drive	120	19503	GMC	Drive	121
1715	GMC	Drive	120	19515	GMC	Drive	121
1716	GMC	Drive	120	21065S	GMC	Drive	121
17200	GMC	Drive	120	21065T	GMC	Drive	121
17201	GMC	Drive	120	21100	GMC	Drive	121
17220	GMC	Drive	120	21101	GMC	Drive	121
17221	GMC	Drive	120	21121	GMC	Drive	121
17321	GMC	Drive	120	21200	GMC	Drive	121
17401	GMC	Drive	120	21201	GMC	Drive	121
17421	GMC	Drive	120	21221	GMC	Drive	121
17500	GMC	Drive	120	21400	GMC	Drive	121
17501	GMC	Drive	120	21421	GMC	Drive	121
17600	GMC	Drive	120	22065S	GMC	Drive	121
17601	GMC	Drive	120	22065T	GMC	Drive	121
17700	GMC	Drive	120	22100	GMC	Drive	121
17701	GMC	Drive	120	22101	GMC	Drive	121
1780	GMC	Drive	120	22121	GMC	Drive	121
17800	GMC	Drive	120	22200	GMC	Drive	121
17801	GMC	Drive	120	22201	GMC	Drive	121
17815	GMC	Drive	120	22221	GMC	Drive	121
1790	GMC	Drive	120	22500	GMC	Drive	121
1790A	GMC	Drive	120	22501	GMC	Drive	121
1791	GMC	Drive	120	22M	GMC	Drive	121
1791A	GMC	Drive	120	23070P	GMC	Drive	121
1792	GMC	Drive	120	23070S	GMC	Drive	121
1793	GMC	Drive	120	23070T	GMC	Drive	121
1795	GMC	Drive	120	230T4	GMC	Drive	121
1796	GMC	Drive	120	23100	GMC	Drive	121
18100	GMC	Drive	120	23101	GMC	Drive	121
18101	GMC	Drive	120	23105	GMC	Drive	121
18121	GMC	Drive	120	23105C	GMC	Drive	121
18200	GMC	Drive	120	23105S	GMC	Drive	121
18201	GMC	Drive	120	23121	GMC	Drive	121
18221	GMC	Drive	120	23200	GMC	Drive	121
18500	GMC	Drive	120	23201	GMC	Drive	121
18501	GMC	Drive	120	23221	GMC	Drive	121
18600	GMC	Drive	120	23300	GMC	Drive	121
18601	GMC	Drive	120	23321	GMC	Drive	121
18700	GMC	Drive	120	23400	GMC	Drive	121
18701	GMC	Drive	120	23421	GMC	Drive	121
1880	GMC	Drive	120	26058P	GMC	Drive	121
18802	GMC	Drive	120	26085P	GMC	Drive	121
18803	GMC	Drive	120	26085S	GMC	Drive	121
1890	GMC	Drive	120	26085T	GMC	Drive	121
1891	GMC	Drive	120	26100	GMC	Drive	121
1892	GMC	Drive	120	26121	GMC	Drive	121
1893	GMC	Drive	120	2613	GMC	Drive	121
1895	GMC	Drive	120	2614	GMC	Drive	121
1896	GMC	Drive	120	2615	GMC	Drive	121
19050S	GMC	Drive	120	2616	GMC	Drive	121
19050T	GMC	Drive	120	26200	GMC	Drive	121
19055T	GMC	Drive	120	26221	GMC	Drive	121
1910	GMC	Drive	120	2627	GMC	Drive	121
19100	GMC	Drive	121	2695	GMC	Drive	121
19101	GMC	Drive	121	2696	GMC	Drive	121
1911	GMC	Drive	121	28M	GMC	Drive	121
19121	GMC	Drive	121	28MR	GMC	Drive	121

For in-text symbols, see page 5A.

Axle numerical listing

Axle	Manufacturer	Section	Pg. no.	Axle	Manufacturer	Section	Pg. no.
30D	GMC	Drive	121	DP401P	GMC	Drive	122
30DP	GMC	Drive	121	DP402	GMC	Drive	122
30DS	GMC	Drive	121	DP402P	GMC	Drive	122
30DSC	GMC	Drive	121	DP406	GMC	Drive	122
30M	GMC	Drive	121	DP406P	GMC	Drive	122
32M	GMC	Drive	121	DP440P	GMC	Drive	122
34D	GMC	Drive	121	DP456P	GMC	Drive	122
34D3	GMC	Drive	121	DP460P	GMC	Drive	122
34D3C	GMC	Drive	121	DP461P	GMC	Drive	122
34DS	GMC	Drive	121	DP480P	GMC	Drive	122
34DSC	GMC	Drive	121	DP580P	GMC	Drive	122
34DT	GMC	Drive	121	DP650	GMC	Drive	122
34DTA	GMC	Drive	121	DP650P	GMC	Drive	122
34DTC	GMC	Drive	121	DS340	GMC	Drive	122
34M	GMC	Drive	121	DS341	GMC	Drive	122
34RT	GMC	Drive	121	DS380	GMC	Drive	122
38D	GMC	Drive	121	DS381	GMC	Drive	122
38DP	GMC	Drive	121	DS381P	GMC	Drive	122
38DPA	GMC	Drive	121	DS386P	GMC	Drive	122
38DS	GMC	Drive	121	DS400	GMC	Drive	122
38DSC	GMC	Drive	121	DS401	GMC	Drive	122
38DTC	GMC	Drive	121	DS401P	GMC	Drive	122
38RSE	GMC	Drive	121	DS402	GMC	Drive	122
44D	GMC	Drive	121	DS402P	GMC	Drive	122
44DP	GMC	Drive	121	DS440	GMC	Drive	122
44DT	GMC	Drive	121	DS440P	GMC	Drive	122
44DTC	GMC	Drive	121	DS456P	GMC	Drive	122
480DP	GMC	Drive	121	DS460P	GMC	Drive	122
55417H	GMC	Drive	121	DS461P	GMC	Drive	122
58352	GMC	Drive	121	DS480P	GMC	Drive	122
58455	GMC	Drive	121	DS650P	GMC	Drive	122
6803	GMC	Drive	121	DSP50	GMC	Drive	122
70	GMC	Drive	121	DT341	GMC	Drive	122
70HD	GMC	Drive	121	DT381	GMC	Drive	122
7800	GMC	Drive	121	DT381P	GMC	Drive	122
7801	GMC	Drive	121	DT400	GMC	Drive	122
8802	GMC	Drive	121	DT401P	GMC	Drive	122
8803	GMC	Drive	121	DT402	GMC	Drive	122
B170	GMC	Drive	121	DT402P	GMC	Drive	122
B180	GMC	Drive	121	DT440	GMC	Drive	122
B210	GMC	Drive	121	DT440P	GMC	Drive	122
B220	GMC	Drive	121	DT460P	GMC	Drive	122
BA185	GMC	Drive	121	DT461P	GMC	Drive	122
BA230	GMC	Drive	121	DT480P	GMC	Drive	122
BD340	GMC	Drive	121	DW3012	GMC	Drive	122
BP270	GMC	Drive	121	E301	GMC	Drive	122
BP271	GMC	Drive	121	E350	GMC	Drive	122
D160	GMC	Drive	121	E370	GMC	Drive	122
D185	GMC	Drive	121	F106	GMC	Drive	122
D210	GMC	Drive	121	F155S	GMC	Drive	122
D220	GMC	Drive	121	F341	GMC	Drive	122
D225	GMC	Drive	121	G161	GMC	Drive	122
D226	GMC	Drive	121	G175S	GMC	Drive	122
D290	GMC	Drive	121	G175T	GMC	Drive	122
D341P3	GMC	Drive	121	G185S	GMC	Drive	122
D34P3	GMC	Drive	121	G185T	GMC	Drive	122
D365	GMC	Drive	121	G190S	GMC	Drive	122
D380	GMC	Drive	121	G341	GMC	Drive	122
D400P	GMC	Drive	121	G361	GMC	Drive	122
D440P	GMC	Drive	121	GM34000	GMC	Drive	122
D70HD	GMC	Drive	121	H100	GMC	Drive	122
DD340	GMC	Drive	122	H101	GMC	Drive	122
DD500	GMC	Drive	122	H110	GMC	Drive	122
DP341	GMC	Drive	122	H125	GMC	Drive	122
DP346	GMC	Drive	122	H130	GMC	Drive	122
DP381P	GMC	Drive	122	H135	GMC	Drive	122
DP38P	GMC	Drive	122	H140	GMC	Drive	122

**A
P
P
L
I
C
A
T
I
O
N
S**

**T
R
A
I
L
E
R
,
T
A
G
&
P
U
S
H
E
R
A
X
L
E
S**

**F
R
O
N
T
A
X
L
E
S**

**D
R
I
V
E
A
X
L
E
S**

**M
E
D
I
U
M
T
R
U
C
K**

Axle numerical listing

Axle	Manufacturer	Section	Pg. no.	Axle	Manufacturer	Section	Pg. no.
H150.....	GMC.....	Drive.....	122	RT341.....	GMC.....	Drive.....	123
H160.....	GMC.....	Drive.....	122	RT381.....	GMC.....	Drive.....	123
H162.....	GMC.....	Drive.....	122	S170.....	GMC.....	Drive.....	123
H170.....	GMC.....	Drive.....	122	SD3010.....	GMC.....	Drive.....	123
H172.....	GMC.....	Drive.....	122	SD3010P.....	GMC.....	Drive.....	123
H173.....	GMC.....	Drive.....	122	SD3011.....	GMC.....	Drive.....	123
H175.....	GMC.....	Drive.....	122	SD3020.....	GMC.....	Drive.....	123
H185.....	GMC.....	Drive.....	122	SFD460.....	GMC.....	Drive.....	123
H220.....	GMC.....	Drive.....	122	SFD4600.....	GMC.....	Drive.....	123
H240.....	GMC.....	Drive.....	122	SFDD3020.....	GMC.....	Drive.....	123
H300.....	GMC.....	Drive.....	122	SFDD4600.....	GMC.....	Drive.....	123
H340.....	GMC.....	Drive.....	122	SFHD.....	GMC.....	Drive.....	123
H350.....	GMC.....	Drive.....	122	SL100.....	GMC.....	Drive.....	123
H362.....	GMC.....	Drive.....	122	SL100P.....	GMC.....	Drive.....	123
H370.....	GMC.....	Drive.....	122	SLDD.....	GMC.....	Drive.....	123
HD2.....	GMC.....	Drive.....	122	SLHD.....	GMC.....	Drive.....	123
HD280.....	GMC.....	Drive.....	122	SLHR.....	GMC.....	Drive.....	123
HD340.....	GMC.....	Drive.....	122	SP50.....	GMC.....	Drive.....	123
HD380.....	GMC.....	Drive.....	122	SQ100.....	GMC.....	Drive.....	123
HO52.....	GMC.....	Drive.....	122	SQ100P.....	GMC.....	Drive.....	123
HO72.....	GMC.....	Drive.....	122	SQDD.....	GMC.....	Drive.....	123
HO75.....	GMC.....	Drive.....	122	SQHD.....	GMC.....	Drive.....	123
L161.....	GMC.....	Drive.....	122	SQHP.....	GMC.....	Drive.....	123
L162.....	GMC.....	Drive.....	122	SQW.....	GMC.....	Drive.....	123
L172.....	GMC.....	Drive.....	122	SR170.....	GMC.....	Drive.....	123
L350.....	GMC.....	Drive.....	122	SR270.....	GMC.....	Drive.....	123
L351.....	GMC.....	Drive.....	122	SSHD.....	GMC.....	Drive.....	123
L361.....	GMC.....	Drive.....	122	STHD.....	GMC.....	Drive.....	123
L362.....	GMC.....	Drive.....	122	SU170.....	GMC.....	Drive.....	123
L370.....	GMC.....	Drive.....	122	SU270.....	GMC.....	Drive.....	123
L371.....	GMC.....	Drive.....	122	SUHD.....	GMC.....	Drive.....	123
LT301.....	GMC.....	Drive.....	122	SW280.....	GMC.....	Drive.....	123
M185T.....	GMC.....	Drive.....	122	SW3010.....	GMC.....	Drive.....	123
M190S.....	GMC.....	Drive.....	122	SW3010P.....	GMC.....	Drive.....	123
M190T.....	GMC.....	Drive.....	122	SW3012.....	GMC.....	Drive.....	123
M200S.....	GMC.....	Drive.....	122	SW3012P.....	GMC.....	Drive.....	123
M200T.....	GMC.....	Drive.....	122	SW3014.....	GMC.....	Drive.....	123
M220S.....	GMC.....	Drive.....	122	SW3014P.....	GMC.....	Drive.....	123
M220T.....	GMC.....	Drive.....	122	SW3020.....	GMC.....	Drive.....	123
Q100.....	GMC.....	Drive.....	122	SW3020P.....	GMC.....	Drive.....	123
Q145.....	GMC.....	Drive.....	122	SW456.....	GMC.....	Drive.....	123
Q380.....	GMC.....	Drive.....	122	SW456A.....	GMC.....	Drive.....	123
Q390.....	GMC.....	Drive.....	122	SW456P.....	GMC.....	Drive.....	123
QT140.....	GMC.....	Drive.....	122	T130.....	GMC.....	Drive.....	123
QT230.....	GMC.....	Drive.....	122	T150.....	GMC.....	Drive.....	123
QT340.....	GMC.....	Drive.....	122	T155.....	GMC.....	Drive.....	123
R100.....	GMC.....	Drive.....	122	T160.....	GMC.....	Drive.....	123
R140.....	GMC.....	Drive.....	122	T170.....	GMC.....	Drive.....	123
R164.....	GMC.....	Drive.....	122	T172.....	GMC.....	Drive.....	123
R170.....	GMC.....	Drive.....	122	T173.....	GMC.....	Drive.....	123
R200.....	GMC.....	Drive.....	122	T175.....	GMC.....	Drive.....	123
R230.....	GMC.....	Drive.....	122	T180.....	GMC.....	Drive.....	123
R300.....	GMC.....	Drive.....	122	T185.....	GMC.....	Drive.....	123
R380.....	GMC.....	Drive.....	122	T210.....	GMC.....	Drive.....	123
R390.....	GMC.....	Drive.....	122	T220.....	GMC.....	Drive.....	123
R70HD.....	GMC.....	Drive.....	122	T224.....	GMC.....	Drive.....	123
RL170.....	GMC.....	Drive.....	122	T225.....	GMC.....	Drive.....	123
RS16140.....	GMC.....	Drive.....	122	T295.....	GMC.....	Drive.....	123
RS170.....	GMC.....	Drive.....	122	TA182.....	GMC.....	Drive.....	123
RS21145.....	GMC.....	Drive.....	123	TA185.....	GMC.....	Drive.....	123
RS23160.....	GMC.....	Drive.....	123	TA230.....	GMC.....	Drive.....	123
RS23180.....	GMC.....	Drive.....	123	TD340.....	GMC.....	Drive.....	123
RS341.....	GMC.....	Drive.....	123	TP270.....	GMC.....	Drive.....	123
RS381.....	GMC.....	Drive.....	123	TP340.....	GMC.....	Drive.....	123
RS440.....	GMC.....	Drive.....	123	TP341.....	GMC.....	Drive.....	123
RT240.....	GMC.....	Drive.....	123	TT340.....	GMC.....	Drive.....	123
RT340.....	GMC.....	Drive.....	123	U200.....	GMC.....	Drive.....	123

For in-text symbols, see page 5A.

Axle numerical listing

Axle	Manufacturer	Section	Pg. no.	Axle	Manufacturer	Section	Pg. no.
U240	GMC	Drive	123	SG193S	Hino	Drive	128
U300	GMC	Drive	123	SG195S	Hino	Drive	128
W4	GMC	Drive	123	SG197S	Hino	Drive	128
W4L	GMC	Drive	123	SG198S	Hino	Drive	128
W6	GMC	Drive	123	SG213S	Hino	Drive	128
W7H	GMC	Drive	123	SG231S	Hino	Drive	128
W7M	GMC	Drive	123	SG233S	Hino	Drive	128
W7T	GMC	Drive	123	SG235S	Hino	Drive	128
WD480	GMC	Drive	123	SG237S	Hino	Drive	128
Transmode	GMC Truck	Drive	126	SG238S	Hino	Drive	128
W4	GMC Truck	Drive	126	B	Ikarus-Crown	Drive	128
C43121519KN	Gruman	Drive	127	EVR	Isuzu	Drive	129
360-3T	Hendrickson	Drive	127	FSR	Isuzu	Drive	129
500CT	Hendrickson	Drive	127	FTR	Isuzu	Drive	129
AD290	Hendrickson	Drive	127	FVR	Isuzu	Drive	129
FA141S	Hino	Drive	127	NPR	Isuzu	Drive	129
FA142S	Hino	Drive	127	NPR-HD	Isuzu	Drive	129
FA143S	Hino	Drive	127	NQR	Isuzu	Drive	129
FB142S	Hino	Drive	127	NRR	Isuzu	Drive	129
FB143S	Hino	Drive	127	10-14	Iveco	Drive	129
FB144S	Hino	Drive	127	110	Iveco	Drive	129
FD162S	Hino	Drive	127	120TA	Iveco	Drive	129
FD163S	Hino	Drive	127	12-11	Iveco	Drive	129
FD164S	Hino	Drive	127	12-12	Iveco	Drive	129
FD172S	Hino	Drive	127	12-14	Iveco	Drive	129
FD173S	Hino	Drive	127	15-14	Iveco	Drive	129
FD174S	Hino	Drive	127	18-14	Iveco	Drive	129
FD175S	Hino	Drive	127	220	Iveco	Drive	129
FD177S	Hino	Drive	127	220T	Iveco	Drive	129
FE162S	Hino	Drive	127	230T	Iveco	Drive	129
FE163S	Hino	Drive	127	335T	Iveco	Drive	129
FE164S	Hino	Drive	127	340T	Iveco	Drive	129
FE165S	Hino	Drive	127	Z100	Iveco	Drive	129
FE167S	Hino	Drive	128	Z110	Iveco	Drive	129
FE172S	Hino	Drive	128	Z120	Iveco	Drive	129
FE173S	Hino	Drive	128	Z120TA	Iveco	Drive	129
FE174S	Hino	Drive	128	Z220	Iveco	Drive	129
FE175S	Hino	Drive	128	Z220T	Iveco	Drive	129
FE177S	Hino	Drive	128	Z230	Iveco	Drive	129
FE194S	Hino	Drive	128	Z230T	Iveco	Drive	129
FE195S	Hino	Drive	128	Z340T	Iveco	Drive	129
FF172S	Hino	Drive	128	905	Kenworth Truck	Drive	130
FF173S	Hino	Drive	128	908	Kenworth Truck	Drive	130
FF174S	Hino	Drive	128	921	Kenworth Truck	Drive	130
FF175S	Hino	Drive	128	922	Kenworth Truck	Drive	130
FF177S	Hino	Drive	128	K121	Kenworth Truck	Drive	130
FF178S	Hino	Drive	128	K122	Kenworth Truck	Drive	130
FF192S	Hino	Drive	128	W921	Kenworth Truck	Drive	130
FF193S	Hino	Drive	128	W922	Kenworth Truck	Drive	130
FF194S	Hino	Drive	128	A20	Mack	Drive	130
FF195S	Hino	Drive	128	A20H	Mack	Drive	130
FF197S	Hino	Drive	128	A30	Mack	Drive	130
FF198S	Hino	Drive	128	A30H	Mack	Drive	130
FFC12S	Hino	Drive	128	A40	Mack	Drive	130
FFC13S	Hino	Drive	128	A40H	Mack	Drive	130
FFC14S	Hino	Drive	128	A40T	Mack	Drive	130
FFC15S	Hino	Drive	128	A40X	Mack	Drive	130
FFC17S	Hino	Drive	128	A50	Mack	Drive	130
FFC18S	Hino	Drive	128	A50H	Mack	Drive	130
FG223S	Hino	Drive	128	A50T	Mack	Drive	130
FG225S	Hino	Drive	128	A51H	Mack	Drive	130
SF172S	Hino	Drive	128	A51T	Mack	Drive	130
SF173S	Hino	Drive	128	A54	Mack	Drive	130
SF174S	Hino	Drive	128	A54T	Mack	Drive	130
SF175S	Hino	Drive	128	B30P	Mack	Drive	130
SF177S	Hino	Drive	128	B30T	Mack	Drive	130
SF178S	Hino	Drive	128	B30X	Mack	Drive	130

Axle numerical listing

Axle	Manufacturer	Section	Pg. no.	Axle	Manufacturer	Section	Pg. no.
B42	Mack	Drive	130	RA2DT528	Mack	Drive	131
B42P	Mack	Drive	130	RA2DT5281	Mack	Drive	131
B42SX	Mack	Drive	130	RA2DT532	Mack	Drive	131
B42T	Mack	Drive	130	RA45	Mack	Drive	131
B42X	Mack	Drive	130	RA47	Mack	Drive	131
B50T	Mack	Drive	130	RA500	Mack	Drive	131
B60LT	Mack	Drive	130	RA59	Mack	Drive	131
B60S	Mack	Drive	130	RA61	Mack	Drive	131
B60X	Mack	Drive	130	RA62	Mack	Drive	131
BX	Mack	Drive	130	RA69	Mack	Drive	131
C41	Mack	Drive	130	RAC23C	Mack	Drive	131
C47	Mack	Drive	130	RAD1111	Mack	Drive	131
C49	Mack	Drive	130	RAD1113	Mack	Drive	131
D30P	Mack	Drive	130	RAD1141	Mack	Drive	131
ES60C	Mack	Drive	130	RAD231C	Mack	Drive	131
EW-48	Mack	Drive	130	RAD23C	Mack	Drive	131
EW48C	Mack	Drive	130	RAD24D	Mack	Drive	131
EW48CW	Mack	Drive	130	RAD29C	Mack	Drive	131
EW48W	Mack	Drive	130	RAD30	Mack	Drive	131
EW60C	Mack	Drive	130	RAD300	Mack	Drive	131
EWS571C	Mack	Drive	130	RAD301	Mack	Drive	131
EW571C	Mack	Drive	130	RAD302	Mack	Drive	131
EW571CW	Mack	Drive	130	RAD303	Mack	Drive	131
EW57C	Mack	Drive	130	RAD305	Mack	Drive	131
EW57CW	Mack	Drive	130	RAD38C	Mack	Drive	131
EW57W	Mack	Drive	130	RAD400	Mack	Drive	131
H633LT	Mack	Drive	130	RAD403	Mack	Drive	131
H633ST	Mack	Drive	130	RAD404	Mack	Drive	131
H633T	Mack	Drive	130	RAD500	Mack	Drive	131
H63ST	Mack	Drive	130	RAD501	Mack	Drive	131
H63T	Mack	Drive	130	RAD507	Mack	Drive	131
MS200	Mack	Drive	130	RAD508	Mack	Drive	131
MS250	Mack	Drive	130	RAD509	Mack	Drive	131
MS300	Mack	Drive	130	RAD512	Mack	Drive	131
RA104	Mack	Drive	130	RAD515	Mack	Drive	131
RA111	Mack	Drive	130	RAD528	Mack	Drive	131
RA1141	Mack	Drive	130	RAD5281	Mack	Drive	131
RA23	Mack	Drive	130	RAD5282	Mack	Drive	131
RA2D200	Mack	Drive	130	RAD529	Mack	Drive	131
RA2D201	Mack	Drive	130	RAD5291	Mack	Drive	131
RA2D300	Mack	Drive	130	RAD530	Mack	Drive	131
RA2D301	Mack	Drive	130	RAD5301	Mack	Drive	131
RA2D302	Mack	Drive	130	RAD530C	Mack	Drive	131
RA2D304	Mack	Drive	130	RAD533	Mack	Drive	131
RA2D507	Mack	Drive	130	RAD533C	Mack	Drive	131
RA2D508	Mack	Drive	130	RAD533CW	Mack	Drive	131
RA2D509	Mack	Drive	130	RAD533W	Mack	Drive	131
RA2D510	Mack	Drive	130	RAD606	Mack	Drive	131
RA2D511	Mack	Drive	130	RAD606C	Mack	Drive	131
RA2D512	Mack	Drive	130	RAD608	Mack	Drive	131
RA2D513	Mack	Drive	130	RAD608C	Mack	Drive	131
RA2D514	Mack	Drive	130	RAD703	Mack	Drive	131
RA2D516	Mack	Drive	130	RAD703C	Mack	Drive	131
RA2D518	Mack	Drive	130	RAD704	Mack	Drive	131
RA2D519	Mack	Drive	130	RAD704C	Mack	Drive	131
RA2DL516	Mack	Drive	130	RAD705	Mack	Drive	131
RA2DL518	Mack	Drive	130	RAD705C	Mack	Drive	131
RA2DL519	Mack	Drive	130	RAD706	Mack	Drive	131
RA2DT304	Mack	Drive	130	RAD707C	Mack	Drive	131
RA2DT306	Mack	Drive	130	RAD708C	Mack	Drive	131
RA2DT306C	Mack	Drive	130	RADF-1000	Mack	Drive	131
RA2DT306CW	Mack	Drive	130	RADL515	Mack	Drive	131
RA2DT306W	Mack	Drive	130	RADL5151	Mack	Drive	131
RA2DT518	Mack	Drive	130	RADL5152	Mack	Drive	131
RA2DT519	Mack	Drive	130	RADL5153	Mack	Drive	131
RA2DT521	Mack	Drive	130	RADL528	Mack	Drive	131
RA2DT5211	Mack	Drive	131	RADL5281	Mack	Drive	131

For in-text symbols, see page 5A.

Axle numerical listing

Axle	Manufacturer	Section	Pg. no.	Axle	Manufacturer	Section	Pg. no.
RADL529	Mack	Drive	131	SH38CW	Mack	Drive	131
RADL5291	Mack	Drive	131	SH38W	Mack	Drive	131
RADL5301	Mack	Drive	131	SHB342C	Mack	Drive	131
RADL533	Mack	Drive	131	SHB342CW	Mack	Drive	131
RADP-1000	Mack	Drive	131	SHB342W	Mack	Drive	131
RADP-1001	Mack	Drive	131	SHB-38	Mack	Drive	131
RADS509	Mack	Drive	131	SHB38C	Mack	Drive	131
RAH23	Mack	Drive	131	SHB38CW	Mack	Drive	132
RAR23	Mack	Drive	131	SHB38W	Mack	Drive	132
RAS200	Mack	Drive	131	SS34	Mack	Drive	132
RAS201	Mack	Drive	131	SS342C	Mack	Drive	132
RAS23C	Mack	Drive	131	SS342CW	Mack	Drive	132
RAS24D	Mack	Drive	131	SS342W	Mack	Drive	132
RAS2D400	Mack	Drive	131	SS34C	Mack	Drive	132
RAS300	Mack	Drive	131	SS34CW	Mack	Drive	132
RAS301	Mack	Drive	131	SS34W	Mack	Drive	132
RAS302	Mack	Drive	131	SS38C	Mack	Drive	132
RAS303	Mack	Drive	131	SS38CW	Mack	Drive	132
RAS307	Mack	Drive	131	SS38W	Mack	Drive	132
RAS307C	Mack	Drive	131	SS440C	Mack	Drive	132
RAS307CW	Mack	Drive	131	SS441	Mack	Drive	132
RAS307W	Mack	Drive	131	SS441C	Mack	Drive	132
RAS400	Mack	Drive	131	SS50	Mack	Drive	132
RAS403	Mack	Drive	131	SS501	Mack	Drive	132
RAS404	Mack	Drive	131	SS58	Mack	Drive	132
RAS500	Mack	Drive	131	SS58C	Mack	Drive	132
RAS505	Mack	Drive	131	SS65C	Mack	Drive	132
RAS507	Mack	Drive	131	SS65CW	Mack	Drive	132
RAS508	Mack	Drive	131	SS65W	Mack	Drive	132
RAS509	Mack	Drive	131	SSB38	Mack	Drive	132
RAS512	Mack	Drive	131	SSB38C	Mack	Drive	132
RAS512C	Mack	Drive	131	SSB38CW	Mack	Drive	132
RAS512CW	Mack	Drive	131	SSB38W	Mack	Drive	132
RAS512W	Mack	Drive	131	ST34	Mack	Drive	132
RAS572	Mack	Drive	131	ST34C	Mack	Drive	132
RAS580	Mack	Drive	131	ST34CW	Mack	Drive	132
S34	Mack	Drive	131	ST34W	Mack	Drive	132
S38	Mack	Drive	131	ST38	Mack	Drive	132
S440	Mack	Drive	131	SV34C	Mack	Drive	132
S441	Mack	Drive	131	SV34CW	Mack	Drive	132
S501	Mack	Drive	131	SV34W	Mack	Drive	132
S58	Mack	Drive	131	SV38C	Mack	Drive	132
S65	Mack	Drive	131	SV38CW	Mack	Drive	132
SA38C	Mack	Drive	131	SV38W	Mack	Drive	132
SA38CW	Mack	Drive	131	SW29	Mack	Drive	132
SA38W	Mack	Drive	131	SW31	Mack	Drive	132
SAL34	Mack	Drive	131	SW32	Mack	Drive	132
SAL38	Mack	Drive	131	SW342C	Mack	Drive	132
SAL440	Mack	Drive	131	SW342CW	Mack	Drive	132
SB38	Mack	Drive	131	SW342W	Mack	Drive	132
SC342C	Mack	Drive	131	SW38C	Mack	Drive	132
SC342CW	Mack	Drive	131	SW38CW	Mack	Drive	132
SC342W	Mack	Drive	131	SW38W	Mack	Drive	132
SC34C	Mack	Drive	131	SW44	Mack	Drive	132
SC34CW	Mack	Drive	131	SW440C	Mack	Drive	132
SC34W	Mack	Drive	131	SW441	Mack	Drive	132
SC38C	Mack	Drive	131	SW441C	Mack	Drive	132
SC38CW	Mack	Drive	131	SW451	Mack	Drive	132
SC38W	Mack	Drive	131	SW501	Mack	Drive	132
SH342	Mack	Drive	131	SW56	Mack	Drive	132
SH342C	Mack	Drive	131	SW561	Mack	Drive	132
SH342CW	Mack	Drive	131	SW57	Mack	Drive	132
SH342W	Mack	Drive	131	SW570	Mack	Drive	132
SH34C	Mack	Drive	131	SW571	Mack	Drive	132
SH34CW	Mack	Drive	131	SW573	Mack	Drive	132
SH34W	Mack	Drive	131	SW5731	Mack	Drive	132
SH38C	Mack	Drive	131	SW58	Mack	Drive	132

Axle numerical listing

Axle	Manufacturer	Section	Pg. no.	Axle	Manufacturer	Section	Pg. no.
SW65C	Mack	Drive	132	SWD7621	Mack	Drive	132
SW76	Mack	Drive	132	SWD78	Mack	Drive	132
SWA574C	Mack	Drive	132	SWD83	Mack	Drive	132
SWA57C	Mack	Drive	132	SWDL55	Mack	Drive	132
SWA57CW	Mack	Drive	132	SWDL551	Mack	Drive	132
SWA57W	Mack	Drive	132	SWDL56	Mack	Drive	132
SWB342C	Mack	Drive	132	SWDL561	Mack	Drive	132
SWB342CW	Mack	Drive	132	SWDL563	Mack	Drive	132
SWB342W	Mack	Drive	132	SWDL564	Mack	Drive	132
SWB38C	Mack	Drive	132	SWDL73	Mack	Drive	132
SWB38CW	Mack	Drive	132	SWDL731	Mack	Drive	132
SWB38W	Mack	Drive	132	SWDL732	Mack	Drive	132
SWC5612C	Mack	Drive	132	SWDL7321	Mack	Drive	132
SWC562C	Mack	Drive	132	SWDL75	Mack	Drive	132
SWC562CW	Mack	Drive	132	SWDL751	Mack	Drive	132
SWC562W	Mack	Drive	132	SWDL76	Mack	Drive	132
SWC574C	Mack	Drive	132	SWDL761	Mack	Drive	132
SWC57C	Mack	Drive	132	SWDL7621	Mack	Drive	133
SWC57CW	Mack	Drive	132	SWDL78	Mack	Drive	133
SWC57W	Mack	Drive	132	SWDR48	Mack	Drive	133
SWD32	Mack	Drive	132	SWDR49	Mack	Drive	133
SWD322	Mack	Drive	132	SWH56	Mack	Drive	133
SWD44	Mack	Drive	132	SWH562	Mack	Drive	133
SWD441	Mack	Drive	132	SWH562C	Mack	Drive	133
SWD442	Mack	Drive	132	SWH562CW	Mack	Drive	133
SWD443	Mack	Drive	132	SWH562W	Mack	Drive	133
SWD444	Mack	Drive	132	SWH56C	Mack	Drive	133
SWD451	Mack	Drive	132	SWH56CW	Mack	Drive	133
SWD52	Mack	Drive	132	SWH56W	Mack	Drive	133
SWD53	Mack	Drive	132	SWH57C	Mack	Drive	133
SWD5301	Mack	Drive	132	SWH57CW	Mack	Drive	133
SWD54	Mack	Drive	132	SWH57W	Mack	Drive	133
SWD56	Mack	Drive	132	SWH762C	Mack	Drive	133
SWD561	Mack	Drive	132	SWH762CW	Mack	Drive	133
SWD562	Mack	Drive	132	SWH762W	Mack	Drive	133
SWD563	Mack	Drive	132	SWH76C	Mack	Drive	133
SWD564	Mack	Drive	132	SWH76CW	Mack	Drive	133
SWD57	Mack	Drive	132	SWH76W	Mack	Drive	133
SWD5701	Mack	Drive	132	SWS56	Mack	Drive	133
SWD571	Mack	Drive	132	SWS561	Mack	Drive	133
SWD5711	Mack	Drive	132	SWS5612C	Mack	Drive	133
SWD572	Mack	Drive	132	SWS561C	Mack	Drive	133
SWD5721	Mack	Drive	132	SWS562C	Mack	Drive	133
SWD573	Mack	Drive	132	SWS562CW	Mack	Drive	133
SWD5731	Mack	Drive	132	SWS562W	Mack	Drive	133
SWD574	Mack	Drive	132	SWS56C	Mack	Drive	133
SWD5741	Mack	Drive	132	SWS56CW	Mack	Drive	133
SWD575	Mack	Drive	132	SWS56W	Mack	Drive	133
SWD5751	Mack	Drive	132	SWS5711C	Mack	Drive	133
SWD5791	Mack	Drive	132	SWS571C	Mack	Drive	133
SWD58	Mack	Drive	132	SWS571CW	Mack	Drive	133
SWD59	Mack	Drive	132	SWS571W	Mack	Drive	133
SWD591	Mack	Drive	132	SWS572	Mack	Drive	133
SWD592	Mack	Drive	132	SWS573C	Mack	Drive	133
SWD5921	Mack	Drive	132	SWS573CW	Mack	Drive	133
SWD593	Mack	Drive	132	SWS573W	Mack	Drive	133
SWD68	Mack	Drive	132	SWS574C	Mack	Drive	133
SWD681	Mack	Drive	132	SWS57C	Mack	Drive	133
SWD73	Mack	Drive	132	SWS57CW	Mack	Drive	133
SWD731	Mack	Drive	132	SWS57W	Mack	Drive	133
SWD732	Mack	Drive	132	SWS592C	Mack	Drive	133
SWD7321	Mack	Drive	132	SWS592CW	Mack	Drive	133
SWD75	Mack	Drive	132	SWS592W	Mack	Drive	133
SWD751	Mack	Drive	132	SWS59C	Mack	Drive	133
SWD76	Mack	Drive	132	SWS681C	Mack	Drive	133
SWD761	Mack	Drive	132	SWS68C	Mack	Drive	133
SWD762	Mack	Drive	132	SWS76C	Mack	Drive	133

For in-text symbols, see page 5A.

Axle numerical listing

Axle	Manufacturer	Section	Pg. no.	Axle	Manufacturer	Section	Pg. no.
SWS76CW	Mack	Drive	133	P820G	Mack Midliner	Drive	137
SWS76W	Mack	Drive	133	P820G1	Mack Midliner	Drive	137
SWSL56C	Mack	Drive	133	P821	Mack Midliner	Drive	137
SWSL56CW	Mack	Drive	133	P821G	Mack Midliner	Drive	137
SWSL56W	Mack	Drive	133	160A11FL	Magirus	Drive	137
SWTL561C	Mack	Drive	133	160A13FL	Magirus	Drive	137
SWTL56C	Mack	Drive	133	200A13FL	Magirus	Drive	137
SWTL56CW	Mack	Drive	133	200A13FS	Magirus	Drive	137
SWTL56W	Mack	Drive	133	H07-11120	MAN	Drive	137
SWW5612C	Mack	Drive	133	CM704	Marmon-Herrington	Drive	137
SWW562C	Mack	Drive	133	CM754	Marmon-Herrington	Drive	137
SWW562CW	Mack	Drive	133	CM756	Marmon-Herrington	Drive	137
SWW562W	Mack	Drive	133	CM804	Marmon-Herrington	Drive	137
SWW57	Mack	Drive	133	CM806	Marmon-Herrington	Drive	137
SWW571	Mack	Drive	133	CM904	Marmon-Herrington	Drive	137
SWW5711	Mack	Drive	133	DSD600-6	Marmon-Herrington	Drive	137
SWW5711C	Mack	Drive	133	DSD800-6	Marmon-Herrington	Drive	137
SWW571C	Mack	Drive	133	H542-11	Marmon-Herrington	Drive	137
SWW572	Mack	Drive	133	M5-6	Marmon-Herrington	Drive	137
SWW573	Mack	Drive	133	M6-6	Marmon-Herrington	Drive	137
SWW574C	Mack	Drive	133	M704	Marmon-Herrington	Drive	137
SWW57C	Mack	Drive	133	M754	Marmon-Herrington	Drive	137
SWW57CW	Mack	Drive	133	M756	Marmon-Herrington	Drive	137
SWW57W	Mack	Drive	133	M804	Marmon-Herrington	Drive	137
SWW592C	Mack	Drive	133	M806	Marmon-Herrington	Drive	137
SWW592CW	Mack	Drive	133	M904	Marmon-Herrington	Drive	137
SWW592W	Mack	Drive	133	M906	Marmon-Herrington	Drive	137
SWW59C	Mack	Drive	133	MH555-4	Marmon-Herrington	Drive	138
SWW681C	Mack	Drive	133	MH555-6	Marmon-Herrington	Drive	138
SWW68C	Mack	Drive	133	MH610-4	Marmon-Herrington	Drive	138
SWW762C	Mack	Drive	133	MH610A-4	Marmon-Herrington	Drive	138
SWW762CW	Mack	Drive	133	MH620-6	Marmon-Herrington	Drive	138
SWW762W	Mack	Drive	133	MH625-4	Marmon-Herrington	Drive	138
SWW76C	Mack	Drive	133	MH630-4	Marmon-Herrington	Drive	138
SWW76CW	Mack	Drive	133	R4-4	Marmon-Herrington	Drive	138
SWW76W	Mack	Drive	133	R5-4	Marmon-Herrington	Drive	138
SWWL562C	Mack	Drive	133	R6-4	Marmon-Herrington	Drive	138
SWWL562CW	Mack	Drive	133	T756A	Marmon-Herrington	Drive	138
SWWL562W	Mack	Drive	133	TC1700	Marmon-Herrington	Drive	138
SWWL56C	Mack	Drive	133	TC40	Marmon-Herrington	Drive	138
SWWL56CW	Mack	Drive	133	TC44	Marmon-Herrington	Drive	138
SWWL56W	Mack	Drive	133	TC48	Marmon-Herrington	Drive	138
WW681C	Mack	Drive	133	TC49	Marmon-Herrington	Drive	138
16247	Mack Midliner	Drive	137	TC50	Marmon-Herrington	Drive	138
17207	Mack Midliner	Drive	137	L1013	Mercedes Benz	Drive	138
17227	Mack Midliner	Drive	137	L1113	Mercedes Benz	Drive	138
18207	Mack Midliner	Drive	137	L1116	Mercedes Benz	Drive	138
18227	Mack Midliner	Drive	137	L1117	Mercedes Benz	Drive	138
21127	Mack Midliner	Drive	137	L1316	Mercedes Benz	Drive	138
21227	Mack Midliner	Drive	137	L1317	Mercedes Benz	Drive	138
22127	Mack Midliner	Drive	137	L1319	Mercedes Benz	Drive	138
22227	Mack Midliner	Drive	137	L1418	Mercedes Benz	Drive	138
MS200	Mack Midliner	Drive	137	LS1418	Mercedes Benz	Drive	138
MS250	Mack Midliner	Drive	137	1337	Meritor	Drive	139
MS300	Mack Midliner	Drive	137	1347	Meritor	Drive	139
P102011	Mack Midliner	Drive	137	1357	Meritor	Drive	139
P1020B	Mack Midliner	Drive	137	16140	Meritor	Drive	139
P1020G	Mack Midliner	Drive	137	16-140	Meritor	Drive	139
P1021.5	Mack Midliner	Drive	137	16141	Meritor	Drive	139
P10211	Mack Midliner	Drive	137	16-141	Meritor	Drive	139
P1021G1	Mack Midliner	Drive	137	17145	Meritor	Drive	139
P1121.4	Mack Midliner	Drive	137	17-145	Meritor	Drive	139
P112102	Mack Midliner	Drive	137	1737	Meritor	Drive	139
P1121G	Mack Midliner	Drive	137	1757	Meritor	Drive	139
P1121G1	Mack Midliner	Drive	137	1758	Meritor	Drive	139
P1121G2	Mack Midliner	Drive	137	19145	Meritor	Drive	139
P802.2	Mack Midliner	Drive	137	19-145	Meritor	Drive	139

Axle numerical listing

Axle	Manufacturer	Section	Pg. no.	Axle	Manufacturer	Section	Pg. no.
20140	Meritor	Drive	139	53622H	Meritor	Drive	140
20-140	Meritor	Drive	139	53622N	Meritor	Drive	140
20145	Meritor	Drive	139	53623	Meritor	Drive	140
20-145	Meritor	Drive	139	53624	Meritor	Drive	140
21230	Meritor	Drive	139	53625	Meritor	Drive	140
21-230	Meritor	Drive	139	53626	Meritor	Drive	140
23161	Meritor	Drive	139	53659	Meritor	Drive	140
23-161	Meritor	Drive	139	53659N	Meritor	Drive	140
23380	Meritor	Drive	139	53660	Meritor	Drive	140
23-380	Meritor	Drive	139	53660H	Meritor	Drive	140
26180	Meritor	Drive	139	53661	Meritor	Drive	140
26-180	Meritor	Drive	139	53662	Meritor	Drive	140
30-180	Meritor	Drive	139	54350	Meritor	Drive	140
30-380	Meritor	Drive	139	54411	Meritor	Drive	140
34140	Meritor	Drive	139	54411H	Meritor	Drive	140
34-140	Meritor	Drive	139	54412	Meritor	Drive	140
38380	Meritor	Drive	139	54419	Meritor	Drive	140
38-380	Meritor	Drive	139	54430	Meritor	Drive	140
40140	Meritor	Drive	139	54430TW	Meritor	Drive	140
40-140	Meritor	Drive	139	54623	Meritor	Drive	140
51524	Meritor	Drive	139	55411	Meritor	Drive	140
51524N	Meritor	Drive	139	55417	Meritor	Drive	140
51525	Meritor	Drive	139	55417H	Meritor	Drive	140
51525H	Meritor	Drive	139	55600W	Meritor	Drive	140
51540N	Meritor	Drive	139	56334	Meritor	Drive	140
52160	Meritor	Drive	139	56400	Meritor	Drive	140
52-160	Meritor	Drive	139	56401	Meritor	Drive	140
52160P	Meritor	Drive	139	56410	Meritor	Drive	140
52-160P	Meritor	Drive	139	56411	Meritor	Drive	140
53300	Meritor	Drive	139	56412	Meritor	Drive	140
53301	Meritor	Drive	139	56413	Meritor	Drive	140
53308	Meritor	Drive	139	56427	Meritor	Drive	140
53308H	Meritor	Drive	139	56429	Meritor	Drive	140
53411	Meritor	Drive	139	56429P	Meritor	Drive	140
53411H	Meritor	Drive	139	56430	Meritor	Drive	140
53440	Meritor	Drive	139	56431	Meritor	Drive	140
53511	Meritor	Drive	139	56431P	Meritor	Drive	140
53512	Meritor	Drive	139	56432	Meritor	Drive	140
53512H	Meritor	Drive	139	56433	Meritor	Drive	140
53521	Meritor	Drive	139	56433P	Meritor	Drive	140
53526	Meritor	Drive	139	56450	Meritor	Drive	140
53543	Meritor	Drive	139	56451	Meritor	Drive	140
53547	Meritor	Drive	139	56460	Meritor	Drive	140
53554	Meritor	Drive	139	56461	Meritor	Drive	140
53560	Meritor	Drive	139	56462	Meritor	Drive	140
53560H	Meritor	Drive	139	56463	Meritor	Drive	140
53565	Meritor	Drive	139	56466	Meritor	Drive	140
53566	Meritor	Drive	139	56467	Meritor	Drive	140
53567	Meritor	Drive	139	56468	Meritor	Drive	140
53567H	Meritor	Drive	139	56615	Meritor	Drive	140
53581TW	Meritor	Drive	139	57450	Meritor	Drive	140
53586	Meritor	Drive	139	57450W	Meritor	Drive	140
53586H	Meritor	Drive	139	57452	Meritor	Drive	140
53587	Meritor	Drive	139	57452W	Meritor	Drive	140
53588	Meritor	Drive	139	57453	Meritor	Drive	140
53588TW	Meritor	Drive	139	57453W	Meritor	Drive	140
53589	Meritor	Drive	139	57454	Meritor	Drive	140
53589W	Meritor	Drive	139	57454W	Meritor	Drive	140
53591	Meritor	Drive	139	57455	Meritor	Drive	140
53595	Meritor	Drive	139	57455W	Meritor	Drive	140
53596	Meritor	Drive	140	57460	Meritor	Drive	140
53599	Meritor	Drive	140	57460W	Meritor	Drive	140
53599W	Meritor	Drive	140	57461	Meritor	Drive	140
53619	Meritor	Drive	140	57461W	Meritor	Drive	140
53620	Meritor	Drive	140	57464W	Meritor	Drive	140
53620H	Meritor	Drive	140	57600W	Meritor	Drive	140
53622	Meritor	Drive	140	57602W	Meritor	Drive	140

For in-text symbols, see page 5A.

Axle numerical listing

Axle	Manufacturer	Section	Pg. no.	Axle	Manufacturer	Section	Pg. no.
57620W.....	Meritor.....	Drive	140	59690W.....	Meritor.....	Drive	140
57621W.....	Meritor.....	Drive	140	59722W.....	Meritor.....	Drive	140
58180.....	Meritor.....	Drive	140	59723W.....	Meritor.....	Drive	141
58-180.....	Meritor.....	Drive	140	65264.....	Meritor.....	Drive	141
58256W.....	Meritor.....	Drive	140	65265.....	Meritor.....	Drive	141
58267.....	Meritor.....	Drive	140	65350.....	Meritor.....	Drive	141
58267W.....	Meritor.....	Drive	140	65351.....	Meritor.....	Drive	141
58268.....	Meritor.....	Drive	140	65356.....	Meritor.....	Drive	141
58269.....	Meritor.....	Drive	140	65357.....	Meritor.....	Drive	141
58269W.....	Meritor.....	Drive	140	65450.....	Meritor.....	Drive	141
58283.....	Meritor.....	Drive	140	65451.....	Meritor.....	Drive	141
58283W.....	Meritor.....	Drive	140	65456.....	Meritor.....	Drive	141
58285.....	Meritor.....	Drive	140	65456P.....	Meritor.....	Drive	141
58285W.....	Meritor.....	Drive	140	65457.....	Meritor.....	Drive	141
58300.....	Meritor.....	Drive	140	65457P.....	Meritor.....	Drive	141
58301.....	Meritor.....	Drive	140	65743.....	Meritor.....	Drive	141
58304.....	Meritor.....	Drive	140	66714.....	Meritor.....	Drive	141
58305.....	Meritor.....	Drive	140	66714W.....	Meritor.....	Drive	141
58307.....	Meritor.....	Drive	140	66715.....	Meritor.....	Drive	141
58308.....	Meritor.....	Drive	140	66743.....	Meritor.....	Drive	141
58351W.....	Meritor.....	Drive	140	66766.....	Meritor.....	Drive	141
58352.....	Meritor.....	Drive	140	66767.....	Meritor.....	Drive	141
58380.....	Meritor.....	Drive	140	66782.....	Meritor.....	Drive	141
58415.....	Meritor.....	Drive	140	66783.....	Meritor.....	Drive	141
58416.....	Meritor.....	Drive	140	70-380.....	Meritor.....	Drive	141
58433.....	Meritor.....	Drive	140	72301.....	Meritor.....	Drive	141
58434.....	Meritor.....	Drive	140	72303.....	Meritor.....	Drive	141
58435.....	Meritor.....	Drive	140	74881.....	Meritor.....	Drive	141
58450.....	Meritor.....	Drive	140	74882.....	Meritor.....	Drive	141
58450W.....	Meritor.....	Drive	140	75350.....	Meritor.....	Drive	141
58455.....	Meritor.....	Drive	140	75351.....	Meritor.....	Drive	141
58458.....	Meritor.....	Drive	140	75356.....	Meritor.....	Drive	141
58459.....	Meritor.....	Drive	140	75357.....	Meritor.....	Drive	141
58460W.....	Meritor.....	Drive	140	7573.....	Meritor.....	Drive	141
58461W.....	Meritor.....	Drive	140	7574.....	Meritor.....	Drive	141
58464W.....	Meritor.....	Drive	140	75743.....	Meritor.....	Drive	141
58470W.....	Meritor.....	Drive	140	75746.....	Meritor.....	Drive	141
58471W.....	Meritor.....	Drive	140	75746W.....	Meritor.....	Drive	141
58473W.....	Meritor.....	Drive	140	7575.....	Meritor.....	Drive	141
58475W.....	Meritor.....	Drive	140	7576.....	Meritor.....	Drive	141
58490W.....	Meritor.....	Drive	140	75764.....	Meritor.....	Drive	141
58600W.....	Meritor.....	Drive	140	75764W.....	Meritor.....	Drive	141
58620W.....	Meritor.....	Drive	140	75768.....	Meritor.....	Drive	141
58700.....	Meritor.....	Drive	140	75768W.....	Meritor.....	Drive	141
58720.....	Meritor.....	Drive	140	75769.....	Meritor.....	Drive	141
58720W.....	Meritor.....	Drive	140	75769W.....	Meritor.....	Drive	141
58822W.....	Meritor.....	Drive	140	7578.....	Meritor.....	Drive	141
58823W.....	Meritor.....	Drive	140	75780.....	Meritor.....	Drive	141
58863W.....	Meritor.....	Drive	140	75780W.....	Meritor.....	Drive	141
58873W.....	Meritor.....	Drive	140	7579.....	Meritor.....	Drive	141
59026W.....	Meritor.....	Drive	140	7581.....	Meritor.....	Drive	141
59035W.....	Meritor.....	Drive	140	7582.....	Meritor.....	Drive	141
59038.....	Meritor.....	Drive	140	76410.....	Meritor.....	Drive	141
59038W.....	Meritor.....	Drive	140	76414.....	Meritor.....	Drive	141
59039W.....	Meritor.....	Drive	140	76714.....	Meritor.....	Drive	141
59044W.....	Meritor.....	Drive	140	76715.....	Meritor.....	Drive	141
59070W.....	Meritor.....	Drive	140	76743.....	Meritor.....	Drive	141
59071W.....	Meritor.....	Drive	140	76744.....	Meritor.....	Drive	141
59116W.....	Meritor.....	Drive	140	76745.....	Meritor.....	Drive	141
59145W.....	Meritor.....	Drive	140	76746.....	Meritor.....	Drive	141
59146W.....	Meritor.....	Drive	140	76779.....	Meritor.....	Drive	141
59600W.....	Meritor.....	Drive	140	76783.....	Meritor.....	Drive	141
59610W.....	Meritor.....	Drive	140	76784.....	Meritor.....	Drive	141
59620W.....	Meritor.....	Drive	140	76785.....	Meritor.....	Drive	141
59621W.....	Meritor.....	Drive	140	76788.....	Meritor.....	Drive	141
59690.....	Meritor.....	Drive	140	76789.....	Meritor.....	Drive	141
				76790.....	Meritor.....	Drive	141

Axle numerical listing

Axle	Manufacturer	Section	Pg. no.	Axle	Manufacturer	Section	Pg. no.
76810	Meritor	Drive	141	ELDD	Meritor	Drive	141
76811	Meritor	Drive	141	ELHD	Meritor	Drive	141
76820	Meritor	Drive	141	EQDD	Meritor	Drive	141
79744	Meritor	Drive	141	EQHD	Meritor	Drive	141
79744P	Meritor	Drive	141	ERDD	Meritor	Drive	141
79746	Meritor	Drive	141	ERLD	Meritor	Drive	141
79747	Meritor	Drive	141	ERLDD	Meritor	Drive	141
79747P	Meritor	Drive	141	ERLHD	Meritor	Drive	141
79750	Meritor	Drive	141	ERQDD	Meritor	Drive	141
79750P	Meritor	Drive	141	ERQHD	Meritor	Drive	141
93426N	Meritor	Drive	141	ESHD	Meritor	Drive	142
93440	Meritor	Drive	141	ESQHD	Meritor	Drive	142
93548	Meritor	Drive	141	ETRDD	Meritor	Drive	142
93548N	Meritor	Drive	141	F104	Meritor	Drive	142
93558N	Meritor	Drive	141	F105	Meritor	Drive	142
94427H	Meritor	Drive	141	F106	Meritor	Drive	142
94440	Meritor	Drive	141	F140	Meritor	Drive	142
94441H	Meritor	Drive	141	F140D	Meritor	Drive	142
94610	Meritor	Drive	141	F142	Meritor	Drive	142
95700	Meritor	Drive	141	F145	Meritor	Drive	142
96411	Meritor	Drive	141	F146	Meritor	Drive	142
96710	Meritor	Drive	141	F147	Meritor	Drive	142
96711	Meritor	Drive	141	F149	Meritor	Drive	142
98415	Meritor	Drive	141	F245	Meritor	Drive	142
B100	Meritor	Drive	141	F340	Meritor	Drive	142
B1055	Meritor	Drive	141	F341	Meritor	Drive	142
B140	Meritor	Drive	141	F345	Meritor	Drive	142
B155	Meritor	Drive	141	FH	Meritor	Drive	142
B760	Meritor	Drive	141	FHD	Meritor	Drive	142
BH150	Meritor	Drive	141	FHF	Meritor	Drive	142
Bus Tag	Meritor	Drive	141	FHR	Meritor	Drive	142
C100	Meritor	Drive	141	G161	Meritor	Drive	142
D100	Meritor	Drive	141	G262	Meritor	Drive	142
D140	Meritor	Drive	141	G341	Meritor	Drive	142
D3020	Meritor	Drive	141	G361	Meritor	Drive	142
D3025	Meritor	Drive	141	G362	Meritor	Drive	142
D436	Meritor	Drive	141	H100	Meritor	Drive	142
D450	Meritor	Drive	141	H100A	Meritor	Drive	142
D451	Meritor	Drive	141	H101	Meritor	Drive	142
D460	Meritor	Drive	141	H110	Meritor	Drive	142
D4600	Meritor	Drive	141	H120	Meritor	Drive	142
D461	Meritor	Drive	141	H130	Meritor	Drive	142
D462	Meritor	Drive	141	H140	Meritor	Drive	142
D4640	Meritor	Drive	141	H141	Meritor	Drive	142
D472	Meritor	Drive	141	H143	Meritor	Drive	142
D473	Meritor	Drive	141	H145	Meritor	Drive	142
DBB1300	Meritor	Drive	141	H150	Meritor	Drive	142
DD3025	Meritor	Drive	141	H151	Meritor	Drive	142
DD4600	Meritor	Drive	141	H153	Meritor	Drive	142
DD4640	Meritor	Drive	141	H156	Meritor	Drive	142
DH	Meritor	Drive	141	H161	Meritor	Drive	142
DHD	Meritor	Drive	141	H162	Meritor	Drive	142
E100	Meritor	Drive	141	H164P	Meritor	Drive	142
E100DH	Meritor	Drive	141	H170	Meritor	Drive	142
E100DPH	Meritor	Drive	141	H172	Meritor	Drive	142
E100H	Meritor	Drive	141	H173	Meritor	Drive	142
E102	Meritor	Drive	141	H175	Meritor	Drive	142
E105	Meritor	Drive	141	H200	Meritor	Drive	142
E150	Meritor	Drive	141	H240	Meritor	Drive	142
E155	Meritor	Drive	141	H250	Meritor	Drive	142
E200	Meritor	Drive	141	H300	Meritor	Drive	142
E300	Meritor	Drive	141	H300A	Meritor	Drive	142
E301	Meritor	Drive	141	H301	Meritor	Drive	142
E302	Meritor	Drive	141	H302	Meritor	Drive	142
E302N	Meritor	Drive	141	H302HD	Meritor	Drive	142
E350	Meritor	Drive	141	H310	Meritor	Drive	142
E370	Meritor	Drive	141	H320	Meritor	Drive	142

For in-text symbols, see page 5A.

Axle numerical listing

Axle	Manufacturer	Section	Pg. no.	Axle	Manufacturer	Section	Pg. no.
H340	Meritor	Drive	142	MP20143	Meritor	Drive	142
H341	Meritor	Drive	142	P174	Meritor	Drive	142
H350	Meritor	Drive	142	P601	Meritor	Drive	142
H362	Meritor	Drive	142	PR100	Meritor	Drive	142
H370	Meritor	Drive	142	PR101	Meritor	Drive	142
H373	Meritor	Drive	142	PR102	Meritor	Drive	142
H601	Meritor	Drive	142	PR103	Meritor	Drive	142
HH	Meritor	Drive	142	PR104	Meritor	Drive	142
HHH	Meritor	Drive	142	PR105	Meritor	Drive	142
HHR	Meritor	Drive	142	PR106	Meritor	Drive	142
JH	Meritor	Drive	142	PR107	Meritor	Drive	142
JHD	Meritor	Drive	142	PR118ZH	Meritor	Drive	142
JHR	Meritor	Drive	142	PR150	Meritor	Drive	142
L	Meritor	Drive	142	PR151	Meritor	Drive	142
L100	Meritor	Drive	142	PR152	Meritor	Drive	142
L100A	Meritor	Drive	142	PR200	Meritor	Drive	142
L101	Meritor	Drive	142	PR201	Meritor	Drive	142
L110	Meritor	Drive	142	PR202	Meritor	Drive	142
L110A	Meritor	Drive	142	PR203	Meritor	Drive	142
L140	Meritor	Drive	142	PR204	Meritor	Drive	143
L143	Meritor	Drive	142	PR205	Meritor	Drive	143
L143P	Meritor	Drive	142	PR206	Meritor	Drive	143
L145	Meritor	Drive	142	PR207	Meritor	Drive	143
L148	Meritor	Drive	142	PR50H	Meritor	Drive	143
L155	Meritor	Drive	142	PR50N	Meritor	Drive	143
L160	Meritor	Drive	142	PR75N	Meritor	Drive	143
L161	Meritor	Drive	142	PR80H	Meritor	Drive	143
L162	Meritor	Drive	142	PRM150P	Meritor	Drive	143
L172	Meritor	Drive	142	PS150	Meritor	Drive	143
L173	Meritor	Drive	142	PS151	Meritor	Drive	143
L200	Meritor	Drive	142	PS152	Meritor	Drive	143
L201	Meritor	Drive	142	PS200	Meritor	Drive	143
L240	Meritor	Drive	142	PS201	Meritor	Drive	143
L245	Meritor	Drive	142	PS202	Meritor	Drive	143
L246	Meritor	Drive	142	PS203	Meritor	Drive	143
L265	Meritor	Drive	142	PS250	Meritor	Drive	143
L300	Meritor	Drive	142	PS251	Meritor	Drive	143
L301	Meritor	Drive	142	PS252	Meritor	Drive	143
L302	Meritor	Drive	142	PS50H	Meritor	Drive	143
L310	Meritor	Drive	142	PSM201	Meritor	Drive	143
L340	Meritor	Drive	142	PSM250	Meritor	Drive	143
L345	Meritor	Drive	142	Q100	Meritor	Drive	143
L346	Meritor	Drive	142	Q100A	Meritor	Drive	143
L350	Meritor	Drive	142	Q101	Meritor	Drive	143
L351	Meritor	Drive	142	Q110	Meritor	Drive	143
L361	Meritor	Drive	142	Q111	Meritor	Drive	143
L362	Meritor	Drive	142	Q130	Meritor	Drive	143
L365	Meritor	Drive	142	Q143	Meritor	Drive	143
L370	Meritor	Drive	142	Q145	Meritor	Drive	143
L371	Meritor	Drive	142	Q148	Meritor	Drive	143
LD	Meritor	Drive	142	Q150	Meritor	Drive	143
LDD	Meritor	Drive	142	Q155	Meritor	Drive	143
LDF	Meritor	Drive	142	Q200	Meritor	Drive	143
LH	Meritor	Drive	142	Q200A	Meritor	Drive	143
LHD	Meritor	Drive	142	Q201	Meritor	Drive	143
LHDA	Meritor	Drive	142	Q230	Meritor	Drive	143
LHDD	Meritor	Drive	142	Q240	Meritor	Drive	143
LHF	Meritor	Drive	142	Q245	Meritor	Drive	143
LHK	Meritor	Drive	142	Q246	Meritor	Drive	143
LHL	Meritor	Drive	142	Q246P	Meritor	Drive	143
LHR	Meritor	Drive	142	Q265	Meritor	Drive	143
LT200	Meritor	Drive	142	Q300	Meritor	Drive	143
LT300	Meritor	Drive	142	Q301	Meritor	Drive	143
LT301	Meritor	Drive	142	Q345	Meritor	Drive	143
LT310	Meritor	Drive	142	Q346	Meritor	Drive	143
LT340	Meritor	Drive	142	Q346P	Meritor	Drive	143
MD20143	Meritor	Drive	142	Q370	Meritor	Drive	143

Axle numerical listing

Axle	Manufacturer	Section	Pg. no.	Axle	Manufacturer	Section	Pg. no.
Q380	Meritor	Drive	143	R171	Meritor	Drive	143
Q390	Meritor	Drive	143	R172	Meritor	Drive	143
QD	Meritor	Drive	143	R173	Meritor	Drive	143
QDA	Meritor	Drive	143	R200	Meritor	Drive	143
QDD	Meritor	Drive	143	R200A	Meritor	Drive	143
QDF	Meritor	Drive	143	R201	Meritor	Drive	143
QDR	Meritor	Drive	143	R202	Meritor	Drive	143
QH	Meritor	Drive	143	R202P	Meritor	Drive	143
QHB	Meritor	Drive	143	R210	Meritor	Drive	143
QHD	Meritor	Drive	143	R220	Meritor	Drive	143
QHDA	Meritor	Drive	143	R221	Meritor	Drive	143
QHF	Meritor	Drive	143	R223	Meritor	Drive	143
QHP	Meritor	Drive	143	R230	Meritor	Drive	143
QHR	Meritor	Drive	143	R235	Meritor	Drive	143
QT140	Meritor	Drive	143	R241	Meritor	Drive	143
QT143	Meritor	Drive	143	R255	Meritor	Drive	143
QT143P	Meritor	Drive	143	R270	Meritor	Drive	143
QT145	Meritor	Drive	143	R300	Meritor	Drive	143
QT200	Meritor	Drive	143	R300A	Meritor	Drive	143
QT201	Meritor	Drive	143	R300B	Meritor	Drive	143
QT230	Meritor	Drive	143	R301	Meritor	Drive	143
QT240	Meritor	Drive	143	R301A	Meritor	Drive	143
QT300	Meritor	Drive	143	R301B	Meritor	Drive	143
QT301	Meritor	Drive	143	R301C	Meritor	Drive	143
QT330	Meritor	Drive	143	R302	Meritor	Drive	143
QT340	Meritor	Drive	143	R302P	Meritor	Drive	143
QT341	Meritor	Drive	143	R310	Meritor	Drive	143
QT342	Meritor	Drive	143	R3100W	Meritor	Drive	144
QT342A	Meritor	Drive	143	R3102W	Meritor	Drive	144
QT342P	Meritor	Drive	143	R320	Meritor	Drive	144
QT345	Meritor	Drive	143	R320P	Meritor	Drive	144
QT346	Meritor	Drive	143	R321	Meritor	Drive	144
QT350	Meritor	Drive	143	R330	Meritor	Drive	144
QT360	Meritor	Drive	143	R335P	Meritor	Drive	144
QT365	Meritor	Drive	143	R355	Meritor	Drive	144
QT367	Meritor	Drive	143	R362	Meritor	Drive	144
QT540	Meritor	Drive	143	R380	Meritor	Drive	144
QW	Meritor	Drive	143	R390	Meritor	Drive	144
QWF	Meritor	Drive	143	R462	Meritor	Drive	144
QWR	Meritor	Drive	143	R601	Meritor	Drive	144
R100	Meritor	Drive	143	RA173	Meritor	Drive	144
R100A	Meritor	Drive	143	RD	Meritor	Drive	144
R101	Meritor	Drive	143	RD17145	Meritor	Drive	144
R101A	Meritor	Drive	143	RD20140	Meritor	Drive	144
R110	Meritor	Drive	143	RD20145	Meritor	Drive	144
R110A	Meritor	Drive	143	RD20160	Meritor	Drive	144
R112	Meritor	Drive	143	RD22145	Meritor	Drive	144
R113	Meritor	Drive	143	RD23160	Meritor	Drive	144
R114	Meritor	Drive	143	RD23164	Meritor	Drive	144
R115	Meritor	Drive	143	RD25160	Meritor	Drive	144
R120	Meritor	Drive	143	RD26160	Meritor	Drive	144
R130	Meritor	Drive	143	RDD	Meritor	Drive	144
R140	Meritor	Drive	143	RDF	Meritor	Drive	144
R141	Meritor	Drive	143	RDP	Meritor	Drive	144
R141P	Meritor	Drive	143	RHA	Meritor	Drive	144
R143	Meritor	Drive	143	RHD	Meritor	Drive	144
R143P	Meritor	Drive	143	RHDA	Meritor	Drive	144
R143W	Meritor	Drive	143	RHR	Meritor	Drive	144
R153	Meritor	Drive	143	RL170	Meritor	Drive	144
R155	Meritor	Drive	143	RL172	Meritor	Drive	144
R158	Meritor	Drive	143	RP20145	Meritor	Drive	144
R160	Meritor	Drive	143	RP20160	Meritor	Drive	144
R160P	Meritor	Drive	143	RP22145	Meritor	Drive	144
R162	Meritor	Drive	143	RP23160	Meritor	Drive	144
R163	Meritor	Drive	143	RP23164	Meritor	Drive	144
R164	Meritor	Drive	143	RP25160	Meritor	Drive	144
R170	Meritor	Drive	143	RP26160	Meritor	Drive	144

For in-text symbols, see page 5A.

Axle numerical listing

Axle	Manufacturer	Section	Pg. no.	Axle	Manufacturer	Section	Pg. no.
RR17145	Meritor	Drive	144	RT44145P	Meritor	Drive	144
RR20140	Meritor	Drive	144	RT46146P	Meritor	Drive	144
RR20145	Meritor	Drive	144	RT46160	Meritor	Drive	144
RR20160	Meritor	Drive	144	RT46160A	Meritor	Drive	144
RR22145	Meritor	Drive	144	RT48180	Meritor	Drive	144
RR23160	Meritor	Drive	144	RT48185	Meritor	Drive	144
RR23164	Meritor	Drive	144	RT48380	Meritor	Drive	144
RR25160	Meritor	Drive	144	RT52-160	Meritor	Drive	144
RR26160	Meritor	Drive	144	RT52180	Meritor	Drive	144
RS13120	Meritor	Drive	144	RT52380	Meritor	Drive	144
RS15120	Meritor	Drive	144	RT58180	Meritor	Drive	144
RS15125	Meritor	Drive	144	RT58-180	Meritor	Drive	144
RS15210	Meritor	Drive	144	RT58185	Meritor	Drive	144
RS16140	Meritor	Drive	144	RT58-380	Meritor	Drive	144
RS16141	Meritor	Drive	144	RT70380	Meritor	Drive	144
RS17140	Meritor	Drive	144	S170	Meritor	Drive	144
RS17141	Meritor	Drive	144	S200	Meritor	Drive	144
RS17220	Meritor	Drive	144	S300	Meritor	Drive	144
RS19145	Meritor	Drive	144	SBB1300	Meritor	Drive	144
RS20145	Meritor	Drive	144	SBB700	Meritor	Drive	144
RS20230	Meritor	Drive	144	SBD1055	Meritor	Drive	144
RS21145	Meritor	Drive	144	SBD1500	Meritor	Drive	144
RS21160	Meritor	Drive	144	SBD1501	Meritor	Drive	144
RS21161	Meritor	Drive	144	SBD1502	Meritor	Drive	144
RS23160	Meritor	Drive	144	SBD1555	Meritor	Drive	144
RS23160A	Meritor	Drive	144	SBD1555A	Meritor	Drive	144
RS23160C	Meritor	Drive	144	SD3000	Meritor	Drive	144
RS23161	Meritor	Drive	144	SD3010	Meritor	Drive	145
RS23180	Meritor	Drive	144	SD3010P	Meritor	Drive	145
RS23185	Meritor	Drive	144	SD3011	Meritor	Drive	145
RS23186	Meritor	Drive	144	SD3020	Meritor	Drive	145
RS23240	Meritor	Drive	144	SD3025	Meritor	Drive	145
RS23380	Meritor	Drive	144	SD353	Meritor	Drive	145
RS24160	Meritor	Drive	144	SD436	Meritor	Drive	145
RS24161	Meritor	Drive	144	SD454	Meritor	Drive	145
RS25160	Meritor	Drive	144	SD462	Meritor	Drive	145
RS25161	Meritor	Drive	144	SD466	Meritor	Drive	145
RS26160	Meritor	Drive	144	SD472	Meritor	Drive	145
RS26161	Meritor	Drive	144	SD473	Meritor	Drive	145
RS26180	Meritor	Drive	144	SDD3000	Meritor	Drive	145
RS26185	Meritor	Drive	144	SDD454	Meritor	Drive	145
RS26380	Meritor	Drive	144	SDF450	Meritor	Drive	145
RS30180	Meritor	Drive	144	SDHD	Meritor	Drive	145
RS30185	Meritor	Drive	144	SFD	Meritor	Drive	145
RS30380	Meritor	Drive	144	SFD157	Meritor	Drive	145
RS38380	Meritor	Drive	144	SFD3020	Meritor	Drive	145
RT140	Meritor	Drive	144	SFD450	Meritor	Drive	145
RT141	Meritor	Drive	144	SFD451	Meritor	Drive	145
RT141P	Meritor	Drive	144	SFD454	Meritor	Drive	145
RT170	Meritor	Drive	144	SFD460	Meritor	Drive	145
RT240	Meritor	Drive	144	SFD4600	Meritor	Drive	145
RT240P	Meritor	Drive	144	SFD461	Meritor	Drive	145
RT241	Meritor	Drive	144	SFD4640	Meritor	Drive	145
RT241P	Meritor	Drive	144	SFD4700	Meritor	Drive	145
RT243	Meritor	Drive	144	SFD760	Meritor	Drive	145
RT265	Meritor	Drive	144	SFDD	Meritor	Drive	145
RT340	Meritor	Drive	144	SFDD3020	Meritor	Drive	145
RT341	Meritor	Drive	144	SFDD4600	Meritor	Drive	145
RT34145	Meritor	Drive	144	SFDD4640	Meritor	Drive	145
RT34145P	Meritor	Drive	144	SFDD4740	Meritor	Drive	145
RT341P	Meritor	Drive	144	SFHD	Meritor	Drive	145
RT343	Meritor	Drive	144	SH	Meritor	Drive	145
RT360	Meritor	Drive	144	SHD	Meritor	Drive	145
RT365	Meritor	Drive	144	SHHD	Meritor	Drive	145
RT40145	Meritor	Drive	144	SHP	Meritor	Drive	145
RT40145P	Meritor	Drive	144	SHR	Meritor	Drive	145
RT44145	Meritor	Drive	144	SJHD	Meritor	Drive	145

Axle numerical listing

Axle	Manufacturer	Section	Pg. no.	Axle	Manufacturer	Section	Pg. no.
SL100	Meritor	Drive	145	SW3022	Meritor	Drive	145
SL100P	Meritor	Drive	145	SW3452	Meritor	Drive	145
SL340	Meritor	Drive	145	SW3456	Meritor	Drive	145
SLD	Meritor	Drive	145	SW3456B	Meritor	Drive	145
SLDA	Meritor	Drive	145	SW3458	Meritor	Drive	145
SLDD	Meritor	Drive	145	SW3458A	Meritor	Drive	145
SLDDA	Meritor	Drive	145	SW452	Meritor	Drive	145
SLHA	Meritor	Drive	145	SW456	Meritor	Drive	145
SLHD	Meritor	Drive	145	SW456A	Meritor	Drive	145
SLHDA	Meritor	Drive	145	SW456P	Meritor	Drive	145
SLHR	Meritor	Drive	145	SW457	Meritor	Drive	145
SQ100	Meritor	Drive	145	SW458	Meritor	Drive	145
SQ100AL	Meritor	Drive	145	SW460	Meritor	Drive	145
SQ100P	Meritor	Drive	145	SW462	Meritor	Drive	145
SQ100PAL	Meritor	Drive	145	SWD459	Meritor	Drive	145
SQD	Meritor	Drive	145	SWD459P	Meritor	Drive	145
SQDA	Meritor	Drive	145	T155	Meritor	Drive	145
SQDD	Meritor	Drive	145	T175	Meritor	Drive	145
SQHD	Meritor	Drive	145	TD	Meritor	Drive	145
SQHP	Meritor	Drive	145	TDD	Meritor	Drive	145
SQR100	Meritor	Drive	145	THD	Meritor	Drive	145
SQR100P	Meritor	Drive	145	THR	Meritor	Drive	145
SQTT235	Meritor	Drive	145	TR8670	Meritor	Drive	145
SQTT335	Meritor	Drive	145	TR8680	Meritor	Drive	145
SQW	Meritor	Drive	145	U140	Meritor	Drive	145
SR170	Meritor	Drive	145	U170	Meritor	Drive	145
SR270	Meritor	Drive	145	U180	Meritor	Drive	145
SR280	Meritor	Drive	145	U200	Meritor	Drive	145
SRD	Meritor	Drive	145	U200A	Meritor	Drive	145
SRDD	Meritor	Drive	145	U200B	Meritor	Drive	145
SRDR	Meritor	Drive	145	U240	Meritor	Drive	145
SRHD	Meritor	Drive	145	U300	Meritor	Drive	145
SSHD	Meritor	Drive	145	U300A	Meritor	Drive	145
STD	Meritor	Drive	145	U300B	Meritor	Drive	145
STDA	Meritor	Drive	145	U340	Meritor	Drive	145
STDD	Meritor	Drive	145	UD	Meritor	Drive	146
STDDA	Meritor	Drive	145	UDA	Meritor	Drive	146
STHD	Meritor	Drive	145	UDD	Meritor	Drive	146
SU170	Meritor	Drive	145	UDR	Meritor	Drive	146
SU270	Meritor	Drive	145	UH	Meritor	Drive	146
SU280	Meritor	Drive	145	UHD	Meritor	Drive	146
SUD	Meritor	Drive	145	UHR	Meritor	Drive	146
SUDA	Meritor	Drive	145	W170	Meritor	Drive	146
SUDB	Meritor	Drive	145	W200	Meritor	Drive	146
SUDD	Meritor	Drive	145	W270	Meritor	Drive	146
SUDDB	Meritor	Drive	145	W3003	Meritor	Drive	146
SUDR	Meritor	Drive	145	W3013	Meritor	Drive	146
SUHD	Meritor	Drive	145	W3014	Meritor	Drive	146
SW100P	Meritor	Drive	145	W3020	Meritor	Drive	146
SW170	Meritor	Drive	145	W3022	Meritor	Drive	146
SW251	Meritor	Drive	145	W3456	Meritor	Drive	146
SW270	Meritor	Drive	145	W3458	Meritor	Drive	146
SW280	Meritor	Drive	145	W456	Meritor	Drive	146
SW3000	Meritor	Drive	145	W457	Meritor	Drive	146
SW3002	Meritor	Drive	145	W458	Meritor	Drive	146
SW3003	Meritor	Drive	145	W459	Meritor	Drive	146
SW3010	Meritor	Drive	145	W460	Meritor	Drive	146
SW3010P	Meritor	Drive	145	FK415	Mitsubishi Fuso	Drive	160
SW3012	Meritor	Drive	145	FK455	Mitsubishi Fuso	Drive	160
SW3012P	Meritor	Drive	145	FM555	Mitsubishi Fuso	Drive	160
SW3013	Meritor	Drive	145	1401	Navistar	Drive	161
SW3013A	Meritor	Drive	145	1402	Navistar	Drive	161
SW3014	Meritor	Drive	145	14026	Navistar	Drive	161
SW3014A	Meritor	Drive	145	14027	Navistar	Drive	161
SW3014P	Meritor	Drive	145	14029	Navistar	Drive	161
SW3020	Meritor	Drive	145	1403	Navistar	Drive	161
SW3020P	Meritor	Drive	145	14032	Navistar	Drive	161

For in-text symbols, see page 5A.

Axle numerical listing

Axle	Manufacturer	Section	Pg. no.	Axle	Manufacturer	Section	Pg. no.
14036	Navistar	Drive	161	14465	Navistar	Drive	161
14039	Navistar	Drive	161	14472	Navistar	Drive	161
1404	Navistar	Drive	161	14474	Navistar	Drive	161
14040	Navistar	Drive	161	14475	Navistar	Drive	161
14047	Navistar	Drive	161	14476	Navistar	Drive	161
1405	Navistar	Drive	161	14493	Navistar	Drive	161
14051	Navistar	Drive	161	14494	Navistar	Drive	161
14052	Navistar	Drive	161	14496	Navistar	Drive	161
14057	Navistar	Drive	161	14498	Navistar	Drive	161
1406	Navistar	Drive	161	1450	Navistar	Drive	161
14069	Navistar	Drive	161	1451	Navistar	Drive	161
14072	Navistar	Drive	161	1452	Navistar	Drive	161
14077	Navistar	Drive	161	1453	Navistar	Drive	161
14087	Navistar	Drive	161	1454	Navistar	Drive	161
14088	Navistar	Drive	161	1455	Navistar	Drive	161
1409	Navistar	Drive	161	1456	Navistar	Drive	161
14091	Navistar	Drive	161	1457	Navistar	Drive	161
14095	Navistar	Drive	161	1458	Navistar	Drive	161
14096	Navistar	Drive	161	1459	Navistar	Drive	161
14097	Navistar	Drive	161	1486	Navistar	Drive	161
1410	Navistar	Drive	161	1492	Navistar	Drive	161
1411	Navistar	Drive	161	1493	Navistar	Drive	161
14119	Navistar	Drive	161	1497	Navistar	Drive	161
1412	Navistar	Drive	161	14ADA	Navistar	Drive	161
14127	Navistar	Drive	161	14ADB	Navistar	Drive	161
14130	Navistar	Drive	161	14ADC	Navistar	Drive	161
14131	Navistar	Drive	161	14ADD	Navistar	Drive	161
14132	Navistar	Drive	161	14ADH	Navistar	Drive	161
14133	Navistar	Drive	161	14ARB	Navistar	Drive	161
1415	Navistar	Drive	161	14ARC	Navistar	Drive	161
1416	Navistar	Drive	161	14ARD	Navistar	Drive	161
1418	Navistar	Drive	161	14ARE	Navistar	Drive	161
14186	Navistar	Drive	161	14ARG	Navistar	Drive	161
14187	Navistar	Drive	161	14CDA	Navistar	Drive	161
1419	Navistar	Drive	161	14CDB	Navistar	Drive	161
14193	Navistar	Drive	161	14EEA	Navistar	Drive	161
14194	Navistar	Drive	161	14GDA	Navistar	Drive	161
14199	Navistar	Drive	161	14GEA	Navistar	Drive	161
1420	Navistar	Drive	161	14GEB	Navistar	Drive	161
1421	Navistar	Drive	161	14GEC	Navistar	Drive	161
1422	Navistar	Drive	161	14GED	Navistar	Drive	161
1423	Navistar	Drive	161	14GEH	Navistar	Drive	161
1424	Navistar	Drive	161	14GEJ	Navistar	Drive	161
1425	Navistar	Drive	161	14GEK	Navistar	Drive	161
1426	Navistar	Drive	161	14GEL	Navistar	Drive	161
1427	Navistar	Drive	161	14GRA	Navistar	Drive	161
14277	Navistar	Drive	161	14GRB	Navistar	Drive	161
1428	Navistar	Drive	161	14GRC	Navistar	Drive	161
14282	Navistar	Drive	161	14GRD	Navistar	Drive	161
1429	Navistar	Drive	161	14GRE	Navistar	Drive	161
14298	Navistar	Drive	161	14GRG	Navistar	Drive	161
14308	Navistar	Drive	161	14GRH	Navistar	Drive	161
14309	Navistar	Drive	161	14GRP	Navistar	Drive	161
14311	Navistar	Drive	161	14GRR	Navistar	Drive	161
14315	Navistar	Drive	161	14GRS	Navistar	Drive	161
1433	Navistar	Drive	161	R1070	Navistar	Drive	161
1435	Navistar	Drive	161	R1165	Navistar	Drive	161
14350	Navistar	Drive	161	R1170	Navistar	Drive	161
14357	Navistar	Drive	161	RA1	Navistar	Drive	161
1436	Navistar	Drive	161	RA10	Navistar	Drive	162
14369	Navistar	Drive	161	RA11	Navistar	Drive	162
1438	Navistar	Drive	161	RA118	Navistar	Drive	162
14389	Navistar	Drive	161	RA119	Navistar	Drive	162
14399	Navistar	Drive	161	RA12	Navistar	Drive	162
1443	Navistar	Drive	161	RA120	Navistar	Drive	162
14437	Navistar	Drive	161	RA125	Navistar	Drive	162
1444	Navistar	Drive	161	RA126	Navistar	Drive	162

Axle numerical listing

Axle	Manufacturer	Section	Pg. no.	Axle	Manufacturer	Section	Pg. no.
RA127	Navistar	Drive	162	RA241	Navistar	Drive	162
RA128	Navistar	Drive	162	RA243	Navistar	Drive	162
RA129	Navistar	Drive	162	RA245	Navistar	Drive	162
RA13	Navistar	Drive	162	RA246	Navistar	Drive	162
RA130	Navistar	Drive	162	RA25	Navistar	Drive	162
RA131	Navistar	Drive	162	RA250	Navistar	Drive	162
RA132	Navistar	Drive	162	RA251	Navistar	Drive	162
RA133	Navistar	Drive	162	RA252	Navistar	Drive	162
RA135	Navistar	Drive	162	RA255	Navistar	Drive	162
RA136	Navistar	Drive	162	RA256	Navistar	Drive	162
RA138	Navistar	Drive	162	RA257	Navistar	Drive	162
RA14	Navistar	Drive	162	RA26	Navistar	Drive	162
RA140	Navistar	Drive	162	RA262	Navistar	Drive	162
RA143	Navistar	Drive	162	RA264	Navistar	Drive	162
RA145	Navistar	Drive	162	RA265	Navistar	Drive	162
RA146	Navistar	Drive	162	RA266	Navistar	Drive	162
RA147	Navistar	Drive	162	RA267	Navistar	Drive	162
RA149	Navistar	Drive	162	RA268	Navistar	Drive	162
RA15	Navistar	Drive	162	RA27	Navistar	Drive	162
RA150	Navistar	Drive	162	RA270	Navistar	Drive	162
RA151	Navistar	Drive	162	RA271	Navistar	Drive	162
RA152	Navistar	Drive	162	RA272	Navistar	Drive	162
RA155	Navistar	Drive	162	RA273	Navistar	Drive	162
RA156	Navistar	Drive	162	RA274	Navistar	Drive	162
RA157	Navistar	Drive	162	RA275	Navistar	Drive	162
RA158	Navistar	Drive	162	RA276	Navistar	Drive	162
RA16	Navistar	Drive	162	RA277	Navistar	Drive	162
RA160	Navistar	Drive	162	RA278	Navistar	Drive	162
RA161	Navistar	Drive	162	RA279	Navistar	Drive	162
RA162	Navistar	Drive	162	RA28	Navistar	Drive	162
RA164	Navistar	Drive	162	RA282	Navistar	Drive	162
RA165	Navistar	Drive	162	RA286	Navistar	Drive	162
RA166	Navistar	Drive	162	RA29	Navistar	Drive	162
RA167	Navistar	Drive	162	RA290	Navistar	Drive	162
RA168	Navistar	Drive	162	RA291	Navistar	Drive	162
RA17	Navistar	Drive	162	RA292	Navistar	Drive	162
RA170	Navistar	Drive	162	RA293	Navistar	Drive	163
RA171	Navistar	Drive	162	RA294	Navistar	Drive	163
RA172	Navistar	Drive	162	RA299	Navistar	Drive	163
RA173	Navistar	Drive	162	RA3	Navistar	Drive	163
RA174	Navistar	Drive	162	RA30	Navistar	Drive	163
RA175	Navistar	Drive	162	RA300	Navistar	Drive	163
RA176	Navistar	Drive	162	RA301	Navistar	Drive	163
RA178	Navistar	Drive	162	RA302	Navistar	Drive	163
RA18	Navistar	Drive	162	RA303	Navistar	Drive	163
RA180	Navistar	Drive	162	RA304	Navistar	Drive	163
RA181	Navistar	Drive	162	RA305	Navistar	Drive	163
RA184	Navistar	Drive	162	RA306	Navistar	Drive	163
RA186	Navistar	Drive	162	RA307	Navistar	Drive	163
RA187	Navistar	Drive	162	RA308	Navistar	Drive	163
RA189	Navistar	Drive	162	RA309	Navistar	Drive	163
RA19	Navistar	Drive	162	RA31	Navistar	Drive	163
RA190	Navistar	Drive	162	RA310	Navistar	Drive	163
RA191	Navistar	Drive	162	RA311	Navistar	Drive	163
RA192	Navistar	Drive	162	RA312	Navistar	Drive	163
RA193	Navistar	Drive	162	RA313	Navistar	Drive	163
RA194	Navistar	Drive	162	RA314	Navistar	Drive	163
RA196	Navistar	Drive	162	RA315	Navistar	Drive	163
RA197	Navistar	Drive	162	RA316	Navistar	Drive	163
RA199	Navistar	Drive	162	RA317	Navistar	Drive	163
RA2	Navistar	Drive	162	RA318	Navistar	Drive	163
RA20	Navistar	Drive	162	RA319	Navistar	Drive	163
RA21	Navistar	Drive	162	RA32	Navistar	Drive	163
RA23	Navistar	Drive	162	RA320	Navistar	Drive	163
RA236	Navistar	Drive	162	RA321	Navistar	Drive	163
RA24	Navistar	Drive	162	RA322	Navistar	Drive	163
RA240	Navistar	Drive	162	RA323	Navistar	Drive	163

For in-text symbols, see page 5A.

Axle numerical listing

Axle	Manufacturer	Section	Pg. no.	Axle	Manufacturer	Section	Pg. no.
RA324	Navistar	Drive	163	RA390	Navistar	Drive	163
RA325	Navistar	Drive	163	RA391	Navistar	Drive	163
RA326	Navistar	Drive	163	RA392	Navistar	Drive	163
RA327	Navistar	Drive	163	RA393	Navistar	Drive	163
RA327F	Navistar	Drive	163	RA395	Navistar	Drive	163
RA327R	Navistar	Drive	163	RA396	Navistar	Drive	163
RA328	Navistar	Drive	163	RA397	Navistar	Drive	163
RA329	Navistar	Drive	163	RA399	Navistar	Drive	163
RA33	Navistar	Drive	163	RA4	Navistar	Drive	163
RA330	Navistar	Drive	163	RA40	Navistar	Drive	163
RA331	Navistar	Drive	163	RA408	Navistar	Drive	163
RA332	Navistar	Drive	163	RA41	Navistar	Drive	164
RA333	Navistar	Drive	163	RA42	Navistar	Drive	164
RA334	Navistar	Drive	163	RA426	Navistar	Drive	164
RA335	Navistar	Drive	163	RA429	Navistar	Drive	164
RA336	Navistar	Drive	163	RA43	Navistar	Drive	164
RA337	Navistar	Drive	163	RA430	Navistar	Drive	164
RA338	Navistar	Drive	163	RA431	Navistar	Drive	164
RA339	Navistar	Drive	163	RA432	Navistar	Drive	164
RA34	Navistar	Drive	163	RA433	Navistar	Drive	164
RA340	Navistar	Drive	163	RA434	Navistar	Drive	164
RA341	Navistar	Drive	163	RA437	Navistar	Drive	164
RA342	Navistar	Drive	163	RA44	Navistar	Drive	164
RA343	Navistar	Drive	163	RA-44	Navistar	Drive	164
RA344	Navistar	Drive	163	RA446	Navistar	Drive	164
RA345	Navistar	Drive	163	RA448	Navistar	Drive	164
RA346	Navistar	Drive	163	RA449	Navistar	Drive	164
RA347	Navistar	Drive	163	RA45	Navistar	Drive	164
RA348	Navistar	Drive	163	RA451	Navistar	Drive	164
RA349	Navistar	Drive	163	RA455	Navistar	Drive	164
RA35	Navistar	Drive	163	RA459	Navistar	Drive	164
RA350	Navistar	Drive	163	RA46	Navistar	Drive	164
RA351	Navistar	Drive	163	RA460	Navistar	Drive	164
RA352	Navistar	Drive	163	RA461	Navistar	Drive	164
RA353	Navistar	Drive	163	RA463	Navistar	Drive	164
RA354	Navistar	Drive	163	RA464	Navistar	Drive	164
RA355	Navistar	Drive	163	RA465	Navistar	Drive	164
RA356	Navistar	Drive	163	RA467	Navistar	Drive	164
RA357	Navistar	Drive	163	RA468	Navistar	Drive	164
RA358	Navistar	Drive	163	RA469	Navistar	Drive	164
RA359	Navistar	Drive	163	RA47	Navistar	Drive	164
RA36	Navistar	Drive	163	RA470	Navistar	Drive	164
RA360	Navistar	Drive	163	RA471	Navistar	Drive	164
RA361	Navistar	Drive	163	RA472	Navistar	Drive	164
RA362	Navistar	Drive	163	RA474	Navistar	Drive	164
RA363	Navistar	Drive	163	RA475	Navistar	Drive	164
RA364	Navistar	Drive	163	RA476	Navistar	Drive	164
RA365	Navistar	Drive	163	RA48	Navistar	Drive	164
RA368	Navistar	Drive	163	RA480	Navistar	Drive	164
RA369	Navistar	Drive	163	RA481	Navistar	Drive	164
RA37	Navistar	Drive	163	RA482	Navistar	Drive	164
RA370	Navistar	Drive	163	RA483	Navistar	Drive	164
RA371	Navistar	Drive	163	RA484	Navistar	Drive	164
RA372	Navistar	Drive	163	RA485	Navistar	Drive	164
RA373	Navistar	Drive	163	RA486	Navistar	Drive	164
RA374	Navistar	Drive	163	RA487	Navistar	Drive	164
RA375	Navistar	Drive	163	RA488	Navistar	Drive	164
RA377	Navistar	Drive	163	RA490	Navistar	Drive	164
RA378	Navistar	Drive	163	RA491	Navistar	Drive	164
RA38	Navistar	Drive	163	RA492	Navistar	Drive	164
RA382	Navistar	Drive	163	RA493	Navistar	Drive	164
RA383	Navistar	Drive	163	RA494	Navistar	Drive	164
RA386	Navistar	Drive	163	RA495	Navistar	Drive	164
RA387	Navistar	Drive	163	RA496	Navistar	Drive	164
RA388	Navistar	Drive	163	RA497	Navistar	Drive	164
RA389	Navistar	Drive	163	RA498	Navistar	Drive	164
RA39	Navistar	Drive	163	RA499	Navistar	Drive	164

Axle numerical listing

Axle	Manufacturer	Section	Pg. no.	Axle	Manufacturer	Section	Pg. no.
RA5	Navistar	Drive	164	RAAEG	Navistar	Drive	165
RA50	Navistar	Drive	164	RAARB	Navistar	Drive	165
RA500	Navistar	Drive	164	RAARC	Navistar	Drive	165
RA502	Navistar	Drive	164	RAARD	Navistar	Drive	165
RA51	Navistar	Drive	164	RAARE	Navistar	Drive	165
RA52	Navistar	Drive	164	RAARH	Navistar	Drive	165
RA53	Navistar	Drive	164	RAARJ	Navistar	Drive	165
RA54	Navistar	Drive	164	RACDB	Navistar	Drive	165
RA55	Navistar	Drive	164	RACEA	Navistar	Drive	165
RA56	Navistar	Drive	164	RACEB	Navistar	Drive	165
RA57	Navistar	Drive	164	RAEEB	Navistar	Drive	165
RA58	Navistar	Drive	164	RAEEC	Navistar	Drive	165
RA59	Navistar	Drive	164	RAERA	Navistar	Drive	165
RA6	Navistar	Drive	164	RAERB	Navistar	Drive	165
RA60	Navistar	Drive	164	RAGDA	Navistar	Drive	165
RA63	Navistar	Drive	164	RAGEB	Navistar	Drive	165
RA64	Navistar	Drive	164	RAGEC	Navistar	Drive	165
RA65	Navistar	Drive	164	RAGED	Navistar	Drive	165
RA66	Navistar	Drive	164	RAGEE	Navistar	Drive	165
RA67	Navistar	Drive	164	RAGEH	Navistar	Drive	165
RA69	Navistar	Drive	164	RAGEL	Navistar	Drive	165
RA70	Navistar	Drive	164	RAGEM	Navistar	Drive	165
RA701	Navistar	Drive	164	RAGRA	Navistar	Drive	165
RA702	Navistar	Drive	164	RAGRB	Navistar	Drive	165
RA703	Navistar	Drive	164	RAGRC	Navistar	Drive	165
RA704	Navistar	Drive	164	RAGRD	Navistar	Drive	165
RA705	Navistar	Drive	164	RAGRE	Navistar	Drive	165
RA706	Navistar	Drive	164	RAGRG	Navistar	Drive	165
RA707	Navistar	Drive	164	RAGRH	Navistar	Drive	165
RA71	Navistar	Drive	164	RAGRJ	Navistar	Drive	165
RA72	Navistar	Drive	164	RAGRN	Navistar	Drive	165
RA727	Navistar	Drive	164	RAGRP	Navistar	Drive	165
RA728	Navistar	Drive	164	RAGRR	Navistar	Drive	165
RA73	Navistar	Drive	164	RAGRS	Navistar	Drive	165
RA74	Navistar	Drive	164	RAGRX	Navistar	Drive	165
RA75	Navistar	Drive	164	RAGRY	Navistar	Drive	165
RA76	Navistar	Drive	164	RA146	Navistar School Bus	Drive	168
RA77	Navistar	Drive	164	RA149	Navistar School Bus	Drive	168
RA78	Navistar	Drive	164	RA184	Navistar School Bus	Drive	168
RA79	Navistar	Drive	164	RA186	Navistar School Bus	Drive	168
RA80	Navistar	Drive	164	RA187	Navistar School Bus	Drive	168
RA81	Navistar	Drive	164	RA189	Navistar School Bus	Drive	168
RA83	Navistar	Drive	164	RA199	Navistar School Bus	Drive	168
RA84	Navistar	Drive	164	RA25	Navistar School Bus	Drive	168
RA87	Navistar	Drive	164	RA286	Navistar School Bus	Drive	168
RA88	Navistar	Drive	164	RA29	Navistar School Bus	Drive	168
RA89	Navistar	Drive	164	RA30	Navistar School Bus	Drive	168
RA9	Navistar	Drive	164	RA39	Navistar School Bus	Drive	168
RA90 (22000 lbs)	Navistar	Drive	164	RA42	Navistar School Bus	Drive	168
RA90 (23000 lbs)	Navistar	Drive	165	RA43	Navistar School Bus	Drive	168
RA91	Navistar	Drive	165	RA44	Navistar School Bus	Drive	169
RA92	Navistar	Drive	165	400 Series	Navistar Truck	Drive	169
RA95	Navistar	Drive	165	500 Series	Navistar Truck	Drive	169
RA96	Navistar	Drive	165	LFE700	Navistar Truck	Drive	169
RA97	Navistar	Drive	165	LFE900	Navistar Truck	Drive	169
RA98	Navistar	Drive	165	CLA83	Nissan	Drive	169
RA99	Navistar	Drive	165	CMA83	Nissan	Drive	169
RAACA	Navistar	Drive	165	CPB12	Nissan	Drive	169
RAADB	Navistar	Drive	165	CPC12	Nissan	Drive	169
RAADC	Navistar	Drive	165	UD1800/CME87	Nissan	Drive	169
RAADD	Navistar	Drive	165	UD2000/CLE87	Nissan	Drive	169
RAADE	Navistar	Drive	165	UD3000/CPB14	Nissan	Drive	169
RAADG	Navistar	Drive	165	UD3300/CPC14	Nissan	Drive	169
RAADH	Navistar	Drive	165	UD550T/CPC14-T	Nissan	Drive	169
RAADN	Navistar	Drive	165	1258-HA-2	Oshkosh	Drive	169
RAADP	Navistar	Drive	165	1555-G	Oshkosh	Drive	169
RAAED	Navistar	Drive	165	18-34	Oshkosh	Drive	169

For in-text symbols, see page 5A.

Axle numerical listing

Axle	Manufacturer	Section	Pg. no.	Axle	Manufacturer	Section	Pg. no.
18-38	Oshkosh	Drive	169	G155T	Spicer	Drive	172
1880-G-2	Oshkosh	Drive	169	G175S	Spicer	Drive	172
F2034	Oshkosh	Drive	169	G175T	Spicer	Drive	172
F2044	Oshkosh	Drive	169	G185S	Spicer	Drive	172
F2050	Oshkosh	Drive	169	G185T	Spicer	Drive	172
M18-34	Oshkosh	Drive	169	G190S	Spicer	Drive	172
M18-38	Oshkosh	Drive	169	G340S	Spicer	Drive	172
W1600	Oshkosh	Drive	169	G380S	Spicer	Drive	172
W1602	Oshkosh	Drive	169	G400S	Spicer	Drive	172
W2200	Oshkosh	Drive	169	J175S	Spicer	Drive	172
W2204	Oshkosh	Drive	169	J190S	Spicer	Drive	172
W609	Oshkosh	Drive	169	J210S	Spicer	Drive	172
W703	Oshkosh	Drive	169	J220S	Spicer	Drive	172
W705	Oshkosh	Drive	169	J340S	Spicer	Drive	172
W709	Oshkosh	Drive	169	J400S	Spicer	Drive	172
W710	Oshkosh	Drive	169	J460S	Spicer	Drive	172
W712	Oshkosh	Drive	169	M185S	Spicer	Drive	172
W825-6X6	Oshkosh	Drive	169	M185T	Spicer	Drive	172
W825-6X6HD	Oshkosh	Drive	169	M190S	Spicer	Drive	172
W826-6X6	Oshkosh	Drive	169	M190T	Spicer	Drive	172
W826-6X6HD	Oshkosh	Drive	169	M200S	Spicer	Drive	172
W827-6X6HD	Oshkosh	Drive	170	M210T	Spicer	Drive	172
W906-6X6	Oshkosh	Drive	170	M220S	Spicer	Drive	172
WA1600	Oshkosh	Drive	170	M220T	Spicer	Drive	172
WA906-6X6	Oshkosh	Drive	170	M230S	Spicer	Drive	172
18 Series	Peterbilt	Drive	171	M230T	Spicer	Drive	172
19 Series	Peterbilt	Drive	171	M460S	Spicer	Drive	172
38D	Peterbilt	Drive	171	N175	Spicer	Drive	172
38DPC	Peterbilt	Drive	171	N190	Spicer	Drive	172
38DPE	Peterbilt	Drive	171	N340	Spicer	Drive	172
38DS	Peterbilt	Drive	171	S135S	Spicer	Drive	172
44D	Peterbilt	Drive	171	S150S	Spicer	Drive	172
120	Peterbilt Truck	Drive	171	W230S	Spicer	Drive	172
260	Peterbilt Truck	Drive	171	W460S	Spicer	Drive	172
280	Peterbilt Truck	Drive	171	WC190S	Spicer	Drive	172
281	Peterbilt Truck	Drive	171	CC20	Sterling	Drive	174
351	Peterbilt Truck	Drive	171	CC235	Sterling	Drive	174
355DT	Peterbilt Truck	Drive	171	DD115	Sterling	Drive	174
360	Peterbilt Truck	Drive	171	DD145	Sterling	Drive	174
365DT	Peterbilt Truck	Drive	171	DD145H	Sterling	Drive	174
370	Peterbilt Truck	Drive	171	DD150	Sterling	Drive	174
371	Peterbilt Truck	Drive	171	DDS135	Sterling	Drive	174
380	Peterbilt Truck	Drive	171	DDS150	Sterling	Drive	174
381	Peterbilt Truck	Drive	171	HA1601	Sterling	Drive	174
390	Peterbilt Truck	Drive	171	HA1701	Sterling	Drive	174
FRDP-11-S	SISU	Drive	171	HB1101	Sterling	Drive	174
FRDP-13-S	SISU	Drive	171	HB1604	Sterling	Drive	174
FRDP-16-S	SISU	Drive	171	HB1701	Sterling	Drive	174
FRFP-11-S	SISU	Drive	171	HB1904	Sterling	Drive	174
FRFP-13-S	SISU	Drive	171	HB2001	Sterling	Drive	174
FRMP-11-S	SISU	Drive	171	HB2001D	Sterling	Drive	174
FRMP-13-S	SISU	Drive	171	HB2254	Sterling	Drive	174
FRMP-16-S	SISU	Drive	171	HD110	Sterling	Drive	174
FRP-16-S	SISU	Drive	171	HD135	Sterling	Drive	174
SRDP-30-S	SISU	Drive	171	HD145	Sterling	Drive	174
185T	Spicer	Drive	172	HD145H	Sterling	Drive	174
23	Spicer	Drive	172	HDS140	Sterling	Drive	174
27	Spicer	Drive	172	HWS160H	Sterling	Drive	174
30	Spicer	Drive	172	HWS235	Sterling	Drive	174
44	Spicer	Drive	172	HWS235G	Sterling	Drive	174
60	Spicer	Drive	172	HWS235H	Sterling	Drive	174
60-2	Spicer	Drive	172	AG3102	Superior	Drive	175
70	Spicer	Drive	172	AG3302	Superior	Drive	175
70HD	Spicer	Drive	172	SG04	Superior	Drive	175
D135S	Spicer	Drive	172	35G	Twin Coach	Drive	175
F155S	Spicer	Drive	172	35R	Twin Coach	Drive	175
F170S	Spicer	Drive	172	35S	Twin Coach	Drive	175

Axle numerical listing

Axle	Manufacturer	Section	Pg. no.	Axle	Manufacturer	Section	Pg. no.
40GGT	Twin Coach	Drive	175	D2BG	Ward LaFrance	Drive	177
40R	Twin Coach	Drive	175	D2BH	Ward LaFrance	Drive	177
41G	Twin Coach	Drive	175	D2K	Ward LaFrance	Drive	177
41R	Twin Coach	Drive	175	D2KH	Ward LaFrance	Drive	177
41S	Twin Coach	Drive	175	D2KT	Ward LaFrance	Drive	177
44GTT	Twin Coach	Drive	175	D2Z	Ward LaFrance	Drive	177
44R	Twin Coach	Drive	175	D2ZF	Ward LaFrance	Drive	177
44S	Twin Coach	Drive	175	D2ZG	Ward LaFrance	Drive	177
44TTW	Twin Coach	Drive	175	D2ZH	Ward LaFrance	Drive	177
45S	Twin Coach	Drive	175	D2ZT	Ward LaFrance	Drive	177
4877W	Twin Coach	Drive	175	D310S	Ward LaFrance	Drive	177
50S	Twin Coach	Drive	175	D340S	Ward LaFrance	Drive	177
FL30	Twin Coach	Drive	175	D3F	Ward LaFrance	Drive	177
FL33	Twin Coach	Drive	175	D3G	Ward LaFrance	Drive	177
FL35	Twin Coach	Drive	175	D3H	Ward LaFrance	Drive	177
FL40	Twin Coach	Drive	175	D3SF	Ward LaFrance	Drive	177
FT30	Twin Coach	Drive	175	D3SG	Ward LaFrance	Drive	177
FT33	Twin Coach	Drive	175	D3ST	Ward LaFrance	Drive	177
FT35	Twin Coach	Drive	175	D3T	Ward LaFrance	Drive	177
FT40	Twin Coach	Drive	175	D3T2	Ward LaFrance	Drive	177
FT40DL	Twin Coach	Drive	175	D3T4	Ward LaFrance	Drive	177
23121	Volvo	Drive	176	D400S	Ward LaFrance	Drive	177
23421	Volvo	Drive	176	D490T	Ward LaFrance	Drive	177
EV85	Volvo	Drive	176	D530T	Ward LaFrance	Drive	177
F607	Volvo	Drive	176	D550T	Ward LaFrance	Drive	177
F609	Volvo	Drive	176	D590T	Ward LaFrance	Drive	177
F610	Volvo	Drive	176	D5NT	Ward LaFrance	Drive	177
F611	Volvo	Drive	176	D5NT4	Ward LaFrance	Drive	177
F612	Volvo	Drive	176	D5RT	Ward LaFrance	Drive	177
F613	Volvo	Drive	176	D5RT4	Ward LaFrance	Drive	177
F614	Volvo	Drive	176	D5T	Ward LaFrance	Drive	177
F615	Volvo	Drive	176	D5T4	Ward LaFrance	Drive	177
F616	Volvo	Drive	176	D610T	Ward LaFrance	Drive	177
F7	Volvo	Drive	176	D650T	Ward LaFrance	Drive	177
F86	Volvo	Drive	176	DS5H	Ward LaFrance	Drive	177
N10	Volvo	Drive	176	F3SH	Ward LaFrance	Drive	177
N11	Volvo	Drive	176	FD1	Ward LaFrance	Drive	177
120	Ward LaFrance	Drive	176	FD2	Ward LaFrance	Drive	177
120 Tractor	Ward LaFrance	Drive	176	G310S	Ward LaFrance	Drive	177
150	Ward LaFrance	Drive	176	G340S	Ward LaFrance	Drive	177
400R1-44	Ward LaFrance	Drive	176	G400S	Ward LaFrance	Drive	177
400RD1-44	Ward LaFrance	Drive	176	G490T	Ward LaFrance	Drive	177
500R1-44	Ward LaFrance	Drive	176	G530T	Ward LaFrance	Drive	177
500R66	Ward LaFrance	Drive	176	G550T	Ward LaFrance	Drive	177
500RD1-44	Ward LaFrance	Drive	176	G590T	Ward LaFrance	Drive	177
500RD53	Ward LaFrance	Drive	176	G610T	Ward LaFrance	Drive	177
500RD66	Ward LaFrance	Drive	176	G650T	Ward LaFrance	Drive	177
56	Ward LaFrance	Drive	176	W5N	Ward LaFrance	Drive	177
56H	Ward LaFrance	Drive	176	W5RB	Ward LaFrance	Drive	177
56LD	Ward LaFrance	Drive	176	102C	White	Drive	178
56QD	Ward LaFrance	Drive	176	105C	White	Drive	178
58	Ward LaFrance	Drive	176	106C	White	Drive	178
59	Ward LaFrance	Drive	176	106CE	White	Drive	178
600R1-44	Ward LaFrance	Drive	176	107C	White	Drive	178
600R53-66	Ward LaFrance	Drive	176	107CA	White	Drive	178
700R53-66	Ward LaFrance	Drive	176	107CD	White	Drive	178
700RD1-44	Ward LaFrance	Drive	176	108C	White	Drive	178
75	Ward LaFrance	Drive	176	109C	White	Drive	178
82	Ward LaFrance	Drive	176	116C	White	Drive	178
83	Ward LaFrance	Drive	176	118C	White	Drive	178
85	Ward LaFrance	Drive	176	124C	White	Drive	178
D1T	Ward LaFrance	Drive	176	124CL	White	Drive	178
D1T2	Ward LaFrance	Drive	176	125C	White	Drive	178
D1T4	Ward LaFrance	Drive	177	130C	White	Drive	178
D2	Ward LaFrance	Drive	177	132C	White	Drive	178
D2B	Ward LaFrance	Drive	177	133C	White	Drive	178
D2BF	Ward LaFrance	Drive	177	134C	White	Drive	178

For in-text symbols, see page 5A.

Axle numerical listing

Axle	Manufacturer	Section	Pg. no.	Axle	Manufacturer	Section	Pg. no.
134CL	White	Drive	178	289C	White	Drive	179
135C	White	Drive	178	292C	White	Drive	179
136C	White	Drive	178	293C	White	Drive	179
136CA	White	Drive	178	294C	White	Drive	179
136CB	White	Drive	178	294CA	White	Drive	179
137C	White	Drive	178	294CB	White	Drive	179
138C	White	Drive	178	295D	White	Drive	179
140C	White	Drive	178	302C	White	Drive	179
143C	White	Drive	178	303C	White	Drive	179
144C	White	Drive	178	304C	White	Drive	179
145C	White	Drive	178	306C	White	Drive	179
170C	White	Drive	178	308C	White	Drive	179
17121	White	Drive	178	309C	White	Drive	179
17221	White	Drive	178	311C	White	Drive	179
18201	White	Drive	178	312C	White	Drive	179
18221	White	Drive	178	315C	White	Drive	179
1890A	White	Drive	178	316C	White	Drive	179
189C	White	Drive	178	317C	White	Drive	179
189CA	White	Drive	178	318C	White	Drive	179
189CD	White	Drive	178	319C	White	Drive	179
19121	White	Drive	178	320C	White	Drive	179
1919	White	Drive	178	321C	White	Drive	179
19221	White	Drive	178	322C	White	Drive	179
199C	White	Drive	178	322CL	White	Drive	179
202C	White	Drive	178	323C	White	Drive	179
205C	White	Drive	178	324C	White	Drive	179
205CA	White	Drive	178	325C	White	Drive	179
205CC	White	Drive	178	327C	White	Drive	179
205CD	White	Drive	178	328C	White	Drive	179
206C	White	Drive	178	328CB	White	Drive	179
207C	White	Drive	178	329C	White	Drive	179
208C	White	Drive	178	329CE	White	Drive	179
209C	White	Drive	178	330C	White	Drive	179
210C	White	Drive	178	333C	White	Drive	179
211C	White	Drive	178	333TC	White	Drive	179
212C	White	Drive	178	333TCL	White	Drive	179
213C	White	Drive	178	335C	White	Drive	179
214C	White	Drive	178	335CL	White	Drive	179
215C	White	Drive	178	336C	White	Drive	179
216C	White	Drive	178	337C	White	Drive	179
220C	White	Drive	178	338C	White	Drive	179
221C	White	Drive	178	339C	White	Drive	179
223C	White	Drive	178	33C	White	Drive	179
225C	White	Drive	178	33C6	White	Drive	179
229C	White	Drive	178	33C6A	White	Drive	179
232C	White	Drive	178	33C6B	White	Drive	179
233C	White	Drive	178	33CAB	White	Drive	179
235C	White	Drive	178	33CAC	White	Drive	179
237C	White	Drive	178	33CAL	White	Drive	179
238C	White	Drive	178	33CAM	White	Drive	179
239C	White	Drive	178	33CAR	White	Drive	179
240C	White	Drive	178	340C	White	Drive	179
245C	White	Drive	178	341C	White	Drive	179
24C	White	Drive	178	342C	White	Drive	179
26121	White	Drive	178	343C	White	Drive	179
282C	White	Drive	178	344C	White	Drive	179
282CA	White	Drive	178	345C	White	Drive	179
282CB	White	Drive	178	346C	White	Drive	179
282CC	White	Drive	178	347C	White	Drive	179
282CE	White	Drive	178	349C	White	Drive	179
282CF	White	Drive	178	34C	White	Drive	179
282CG	White	Drive	178	34CL	White	Drive	179
282CH	White	Drive	178	34D	White	Drive	179
282CI	White	Drive	179	350C	White	Drive	179
282CJ	White	Drive	179	351C	White	Drive	179
282CK	White	Drive	179	352	White	Drive	179
282CL	White	Drive	179	352C	White	Drive	179

Axle numerical listing

Axle	Manufacturer	Section	Pg. no.	Axle	Manufacturer	Section	Pg. no.
35327	White	Drive	179	75C	White	Drive	180
382C	White	Drive	179	77C	White	Drive	180
389	White	Drive	179	78C	White	Drive	180
389C	White	Drive	179	81C	White	Drive	180
389CA	White	Drive	179	82C	White	Drive	180
389TC	White	Drive	179	82CA	White	Drive	180
389TCL	White	Drive	179	82CB	White	Drive	180
38C	White	Drive	179	82CC	White	Drive	180
38D	White	Drive	179	82CD	White	Drive	180
38DS	White	Drive	179	82CE	White	Drive	180
400C	White	Drive	179	82CF	White	Drive	180
401C	White	Drive	179	82CG	White	Drive	180
402C	White	Drive	179	82CH	White	Drive	180
403C	White	Drive	179	82CI	White	Drive	180
404C	White	Drive	179	82CJ	White	Drive	180
404CB	White	Drive	179	82CK	White	Drive	180
405C	White	Drive	179	82CL	White	Drive	180
406C	White	Drive	179	83C	White	Drive	180
407C	White	Drive	179	84C	White	Drive	180
407CA	White	Drive	179	85C	White	Drive	180
408C	White	Drive	179	87C	White	Drive	180
409C	White	Drive	179	87CE	White	Drive	180
409CA	White	Drive	179	87CJ	White	Drive	180
410CA	White	Drive	179	87CK	White	Drive	180
411C	White	Drive	179	87CL	White	Drive	180
412C	White	Drive	179	87CM	White	Drive	180
412CA	White	Drive	179	88C	White	Drive	180
413C	White	Drive	179	88CF	White	Drive	180
413CA	White	Drive	179	88CG	White	Drive	180
414C	White	Drive	179	89C	White	Drive	180
415C	White	Drive	179	89CA	White	Drive	180
417C	White	Drive	179	89CB	White	Drive	180
418C	White	Drive	179	89CC	White	Drive	180
418CA	White	Drive	179	89CD	White	Drive	180
41C	White	Drive	179	89CF	White	Drive	180
41CL	White	Drive	179	89CG	White	Drive	180
420C	White	Drive	179	90C	White	Drive	180
421C	White	Drive	179	90CE	White	Drive	180
422C	White	Drive	179	91C	White	Drive	180
423C	White	Drive	179	93C	White	Drive	180
424C	White	Drive	179	94C	White	Drive	180
425C	White	Drive	179	94CA	White	Drive	180
426C	White	Drive	179	95C	White	Drive	180
427C	White	Drive	179	96C	White	Drive	180
428C	White	Drive	179	96CA	White	Drive	180
429C	White	Drive	179	96CB	White	Drive	180
430C	White	Drive	179	96CD	White	Drive	180
431C	White	Drive	179	96CE	White	Drive	180
432C	White	Drive	180	96CF	White	Drive	180
433C	White	Drive	180	96CG	White	Drive	180
434C	White	Drive	180	96CH	White	Drive	180
436C	White	Drive	180	96CI	White	Drive	180
437C	White	Drive	180	96CJ	White	Drive	180
438C	White	Drive	180	96CK	White	Drive	180
439C	White	Drive	180	98C	White	Drive	180
43C	White	Drive	180	98CA	White	Drive	180
440C	White	Drive	180	99C	White	Drive	180
44C	White	Drive	180	99CA	White	Drive	180
450C	White	Drive	180	99CB	White	Drive	180
451C	White	Drive	180	D340	White	Drive	180
452C	White	Drive	180	D380	White	Drive	180
45C	White	Drive	180	D400	White	Drive	180
48C	White	Drive	180	DP480P	White	Drive	180
59C	White	Drive	180	DS440P	White	Drive	180
66C	White	Drive	180	DS480P	White	Drive	180
67C	White	Drive	180	DT440P	White	Drive	180
74C	White	Drive	180	R155	White	Drive	180

For in-text symbols, see page 5A.

Axle numerical listing

Axle	Manufacturer	Section	Pg. no.	Axle	Manufacturer	Section	Pg. no.
SFDD4640	White	Drive	180				
SLHD	White	Drive	180				
SQ100	White	Drive	180				
SQHD	White	Drive	180				
SQHP	White	Drive	180				
SRDD	White	Drive	180				
SSHHD	White	Drive	180				
STDDA	White	Drive	180				
STHD	White	Drive	180				
SUDDDB	White	Drive	180				
SUHD	White	Drive	180				
TS135	White	Drive	180				
TS135L	White	Drive	180				
TS150	White	Drive	180				
U240	White	Drive	180				
U340	White	Drive	180				

NOTES

TRAILER, TAG &
PUSHER AXLES

FRONT
AXLES

DRIVE
AXLES

MEDIUM
TRUCK

Al-Ko Kober Axle Model Index

Model	Capacity	See	Line No.	Model	Capacity	See	Line No.
10K	10000 lbs.	3	H-80	8000 lbs.	2
12K	12000 lbs.	4	K-80	8000 lbs.	1
16K	16000 lbs.	5	K-80P	8000 lbs.	1
D-80	8000 lbs.	2	T-80	8000 lbs.	2

Mfr Line Number	Scotseal® PlusXL	Scotseal® Classic	Scotseal® Longlife	Inner (Cone/Cup)	Outer (Cone/Cup)	Grease Seal Location	Number
--------------------	---------------------	----------------------	-----------------------	---------------------	---------------------	-------------------------	--------

Al-Ko Kober

1				BR28580/ BR28521	BR25580/ BR25520		
2				BR28580/ BR28521			
3 General Duty - 99 Spindle				BR28580/ BR28521	BR25580/ BR25520		
Heavy Duty 120 Spindle		31281		JM511946/ JM511910	JM205149 VP/ JM205110 VP		
4		31281		JM511946 VP/ JM511910 VP	JM205149 VP/ JM205110 VP		
5		31281		BR39590/ BR39520 ▲SET408	JM205149 VP/ JM205110 VP		

Alloy Trailer Inc. - See Axle Mfr.

American Trailer Co. - See Axle Mfr.

Black Diamond - See Axle Mfr.

Brown Trailer Inc. - See Clark

Budd Co. - See Axle Mfr.

Callahan Trailer Inc. - See Axle Mfr.

Challenge-Cook Bros. - See Axle Mfr.

Chevrolet - See GMC

Clark Equip. Axle Model Index

Model	Capacity	See	Line No.	Model	Capacity	See	Line No.
18000 lbs.	18000 lbs.	1	ND20000	18000 lbs.	2
20000 lbs.	20000 lbs.	1	ND20000	20000 lbs.	2
ND18000	3	ND-7	1

Mfr Line Number	Scotseal® PlusXL	Scotseal® Classic	Scotseal® Longlife	Inner (Cone/Cup)	Outer (Cone/Cup)	Location	Grease Seal Number
-----------------	------------------	-------------------	--------------------	------------------	------------------	----------	--------------------

Clark Equip.

1	40129	40136 or 40139 ⁵		BR663/ BR653 ▲SET405	HM212049 VP/ HM212011 VP ▲SET413		
2	40129	40136 or 40139 ⁵		BR672/ BR685	HM212049 VP/ HM212011 VP ▲SET413		
3	42673	42672		BR663/ BR652	BR685/ BR672		

Comet Trailer - See Axle Mfr.

Converto Trailer - See Axle Mfr.

Dakota Trailer Co. - See Axle Mfr.

Dana - See Spicer

Delphos Axle Model Index

Model	Capacity	See	Line No.	Model	Capacity	See	Line No.
DD			1	PP			2
PD			2				

Mfr Line Number	Scotseal® PlusXL	Scotseal® Classic	Scotseal® Longlife	Inner (Cone/Cup)	Outer (Cone/Cup)	Location	Grease Seal Number
-----------------	------------------	-------------------	--------------------	------------------	------------------	----------	--------------------

Delphos

1	46300	46305	46308	HM218248 VP/ HM218210 VP ▲SET414	HM212049 VP/ HM212011 VP ▲SET413		
2	42627	42623	42631	HM218248 VP/ HM218210 VP ▲SET414	HM518445 VP/ HM518410 VP ▲SET415		

Dexter Axle Model Index

Model	Capacity	See	Line No.	Model	Capacity	See	Line No.
10000	10000 lbs.		1	9G	9000 lbs.		4
10D	10000 lbs.		5	D200K			3
10G	10000 lbs.		4	D225K	22500 lbs.		3
12000	12000 lbs.		2	D250K	22500 lbs.		3
12D	12000 lbs.		5	D275K	22500 lbs.		3
15000	15000 lbs.		2	D2H12	27500 lbs.		3
15D	15000 lbs.		6	D2H16	27500 lbs.		3
20000	20000 lbs.		3	D2L12	22500 lbs.		3
20D	20000 lbs.		3	D2L16	22500 lbs.		3
22500	22500 lbs.		3	D2M12	25000 lbs.		3
225D	22500 lbs.		3	D2M16	25000 lbs.		3

Mfr Line Number	Scotseal® PlusXL	Scotseal® Classic	Scotseal® Longlife	Inner (Cone/Cup)	Outer (Cone/Cup)	Grease Seal Location	Number
Dexter							
1				395-S/ 394-A VP	387-A VP/ 382-A VP		
2				BR3984/ BR3920	BR28682/ BR28622 ▲SET407		
3	46300	46305	46308	HM218248 VP/ HM218210 VP ▲SET414	HM212049 VP/ HM212011 VP ▲SET413		
4	28759	28758		387-A VP/ 382-A VP	BR25580/ BR25520		
5		31281		395-A VP/ 394-A VP	387-A VP/ 382-A VP		
6		31281		BR3984/ BR3920	BR28682/ BR28622 ▲SET407		

Dorsey Trailers Inc. - See Axle Mfr.

Dryson Axle Model Index

Model	Capacity	See	Line No.	Model	Capacity	See	Line No.
22000 lbs.	22000 lbs.		1				

Mfr Line Number	Scotseal® PlusXL	Scotseal® Classic	Scotseal® Longlife	Inner (Cone/Cup)	Outer (Cone/Cup)	Grease Seal Location	Number
Dryson							
1	43761	43764		BR749/ BR742			

Eaton Axle Model Index

Model	Capacity	See	Line No.	Model	Capacity	See	Line No.
20L	20000 lbs.		1	C2			2
20L77	20000 lbs.		1	CB	20000 lbs.		1
225D			12	CD	20000 lbs.		1
225P			19	CD2	20000 lbs.		2
22L	22000 lbs.		2	CE	20000 lbs.		1
22L	24000 lbs.		2	CE	23000 lbs.		1
22R	22000 lbs.		2	CR	20000 lbs.		1
22R	22500 lbs.		2	CZ			4
23L	25000 lbs.		6	D	20000 lbs.		3
23L501	23000 lbs.		9	DE	20000 lbs.		3
23R	23000 lbs.		6	DE	23000 lbs.		3
24L	23000 lbs.		6	DH	20000 lbs.		3
25LD	25000 lbs.		3	DH	25000 lbs.		3
25LD501	25000 lbs.		3	DH	22500 lbs.		15
25R	25000 lbs.		9	DWL1	20000 lbs.		3
25RD			10	E	23000 lbs.		4
34RT			11	ED	22500 lbs.		4
A	20000 lbs.		1	EH	22500 lbs.		4
B	20000 lbs.		1	ERA225J			6
C	20000 lbs.		1	ETA225J			6
C07LA3			1	ETA230C			8

For in-text symbols, see page 5A.

Eaton Axle Model Index (continued)

Model	Capacity	See	Line No.	Model	Capacity	See	Line No.
H			5	T144545	15000 lbs.		7
H25LD			3	T144566	15000 lbs.		7
HC			1	T144575	15000 lbs.		7
HCE			4	T144576	15000 lbs.		7
HD			5	T14D	15000 lbs.		7
HJ			6	T18	20000 lbs.		1
HJE			6	T18A	20000 lbs.		8
HR25			6	T18B	20000 lbs.		1
J	20000 lbs.		6	T18C	20000 lbs.		1
J501			9	T18D266	20000 lbs.		1
JE	23000 lbs.		6	T20L	20000 lbs.		1
JE	20000 lbs.		9	T20L77	20000 lbs.		1
JH	25000 lbs.		6	T21			5
JH	20000 lbs.		9	T-21D			5
K	23000 lbs.		6	T22L	22500 lbs.		2
KB19			2	T23L	23000 lbs.		6
LA15			18	T24L	23000 lbs.		6
N	15000 lbs.		7	T25			17
ND	15000 lbs.		7	T256000			17
P Trailer			21	T9	18000 lbs.		13
R-909			20	T9AD	9000 lbs.		14
T	25000 lbs.		6	T-9D			22
T14	15000 lbs.		7	W	30000 lbs.		16
T144500	15000 lbs.		7				
T144519	15000 lbs.		7				

Mfr Line Number	Scotseal® PlusXL	Scotseal® Classic	Scotseal® Longlife	Inner (Cone/Cup)	Outer (Cone/Cup)	Grease Seal Location	Number
--------------------	---------------------	----------------------	-----------------------	---------------------	---------------------	-------------------------	--------

Eaton

1		40129	40136 or 40139 ⁵		BR663/ BR653 ▲SET405	HM212049 VP/ HM212011 VP ▲SET413	
2	w/o Budd Whls. & Gunite 81012 Anti-Skid Control Kit..	43754	43752		665-A VP/ BR653	HM212049 VP/ HM212011 VP ▲SET413	Inner 43751
	3.250" Inner Cone I.D.	43754	43752		BR663/ BR653 ▲SET405	HM212049 VP/ HM212011 VP ▲SET413	
	w/Gunite 81012 Anti-Skid Control Kit	45093	45099		665-A VP/ BR653	HM212049 VP/ HM212011 VP ▲SET413	
3		◇ 47692 (Reorder.) 47691	47697 or 47698 ⁵	47693	594-A VP/ 592-A VP ▲SET403	BR580/ BR572 ▲SET401	
4	Budd Whls.	40129	40136		BR663/ BR653 ▲SET405	HM212049 VP/ HM212011 VP ▲SET413	
	w/o Gunite 81012 Anti-Skid Control Kit	43754	43752		BR663/ BR653 ▲SET405	HM212049 VP/ HM212011 VP ▲SET413	Inner 43751
	w/Gunite 81012 Anti-Skid Control Kit	45093	45099		BR663/ BR653 ▲SET405	HM212049 VP/ HM212011 VP ▲SET413	
5			42624		BR749/ BR742	BR643/ BR632	

For in-text symbols, see page 5A.

Mfr Line Number	Scotseal® PlusXL	Scotseal® Classic	Scotseal® Longlife	Inner (Cone/Cup)	Outer (Cone/Cup)	Grease Seal Location	Number
Eaton (continued)							
6	46300	46305	46308	HM218248 VP/ HM218210 VP ▲SET414	HM212049 VP/ HM212011 VP ▲SET413		
7		35075		BR567/ BR563 ▲SET425	BR528/ BR522		
8 3.250" Inner Cone I.D.	40129	40136 or 40139 ⁵		BR663/ BR653 ▲SET405	HM212049 VP/ HM212011 VP ▲SET413		
3.375" Inner Cone I.D.	40129	40136		665-A VP/ BR653	HM212049 VP/ HM212011 VP ▲SET413		
9	46300	46305	46308	HM218248 VP/ HM218210 VP ▲SET414	HM212049 VP/ HM212011 VP ▲SET413		
10	◇ 47692 (Reorder:) 47691	47697 or 47698 ⁵	47693	598-A VP/ 592-A VP ▲SET404	BR575/ BR572		
11		38750		BR47686/ BR47620 ▲SET411	BR39590/ BR39520 ▲SET408		
12 Budd Whls.				BR580/ BR572 ▲SET401	598-A VP/ 592-A VP ▲SET404		
13	35058	35066 or 35072 ⁵	35103	HM212044 VP/ HM212011 VP	BR3782/ BR3720 ▲SET406		
14	45157	45160		557-A/ 553-X	BR3782/ BR3720 ▲SET406		
15	43754	43752		665-A VP/ BR653	HM212049 VP/ HM212011 VP ▲SET413		
16		48884		BR760/ BR752	BR749/ BR742		
17		48884		BR760/ BR752	BR749/ BR742		
18	42627	42623	42631	HM518445 VP/ HM518410 VP ▲SET415	HM518445 VP/ HM518410 VP ▲SET415		

Mfr Line Number	Scotseal® PlusXL	Scotseal® Classic	Scotseal® Longlife	Inner (Cone/Cup)	Outer (Cone/Cup)	Location	Grease Seal Number
--------------------	---------------------	----------------------	-----------------------	---------------------	---------------------	----------	-----------------------

Eaton (continued)

19					HM212049 VP/ HM212011 VP ▲SET413		
20				BR593/ 592-A VP			
21				HM518410 VP/ HM518445 VP	HM518410 VP/ HM518445 VP		
22	45157	45160		557-A/ 553-X	BR3782/ BR3720 ▲SET406		

Erie - See Axle Mfr.

Fontaine Truck - See Axle Mfr.

Ford Axle Model Index

Model	Capacity	See	Line No.	Model	Capacity	See	Line No.
18000	18000 lbs.		1				

Mfr Line Number	Scotseal® PlusXL	Scotseal® Classic	Scotseal® Longlife	Inner (Cone/Cup)	Outer (Cone/Cup)	Location	Grease Seal Number
--------------------	---------------------	----------------------	-----------------------	---------------------	---------------------	----------	-----------------------

Ford

1	40129	40136		BR663/ BR653 ▲SET405	HM212049 VP/ HM212011 VP ▲SET413		
---	-------	-------	--	----------------------------	--	--	--

Fruehauf/Pro-Par Axle Model Index

Model	Capacity	See	Line No.	Model	Capacity	See	Line No.
No. 10	25000 lbs.		3	No. 5 Thru 1/1960			1
No. 5 From 2/1960			1	Pro-Par			2

Mfr Line Number	Scotseal® PlusXL	Scotseal® Classic	Scotseal® Longlife	Inner (Cone/Cup)	Outer (Cone/Cup)	Location	Grease Seal Number
--------------------	---------------------	----------------------	-----------------------	---------------------	---------------------	----------	-----------------------

Fruehauf/Pro-Par

1	42627	42623 or 42625 ⁵ 46390 w/450208	42631	BR593/ 592-A VP BR593/ 592-A VP	HH506348/ HH506310 HH506348/ HH506310		
2	42627	42623 or 42625 ⁵	42631	HM518445 VP/ HM518410 VP ▲SET415	HM518445 VP/ HM518410 VP ▲SET415		
3		46390		BR593/ 592-A VP			

For in-text symbols, see page 5A.

GMC Axle Model Index

Model	Capacity	See	Line No.	Model	Capacity	See	Line No.
RS23180	23000 lbs.		1	TK560	20000 lbs.		2
RX180	23000 lbs.		1	TK561	20000 lbs.		2
SLHR		Meritor SLHR		TK561		Meritor TK561	
T-11311			3	TKD560	16000 lbs.		2
TK11311		Meritor TK11311		TKD560		Meritor TDK560	

Mfr Line Number	Scotseal® PlusXL	Scotseal® Classic	Scotseal® Longlife	Inner (Cone/Cup)	Outer (Cone/Cup)	Grease Seal Location	Number
1	◇ 47692 (Reorder:) 47691	47697 or 47698 ⁵	47693	594-A VP/ 592-A VP ▲SET403	BR580/ BR572 ▲SET401		
2	40129	40136 or 40139 ⁵		BR663/ BR653 ▲SET405	HM212049 VP/ HM212011 VP ▲SET413		
3		36358 or 36365		HM212047 VP/ HM212011 VP ▲SET412	BR45282/ BR45220		

Great Dane - See Axle Mfr.

Hadco Axle Model Index

Model	Capacity	See	Line No.	Model	Capacity	See	Line No.
120 Series	12000 lbs.		1	7M Series	7000 lbs.		2
385 Series	9000 lbs.		4	85 Series	8500 lbs.		3
70 Series	7000 lbs.		3				

Mfr Line Number	Scotseal® PlusXL	Scotseal® Classic	Scotseal® Longlife	Inner (Cone/Cup)	Outer (Cone/Cup)	Grease Seal Location	Number
1				JLM710949 VP/ JLM710910 VP	BR25590/ BR25520	Inner	28848
2				BR3578/ BR3525	BR15123/ BR15245		
3				JLM104948/ JLM104910 ▲JLM104948/910	BR15123/ BR15245	Inner	23742
4					BR15123/ BR15245		

HammerBlow Axle Model Index

Model	Capacity	See	Line No.	Model	Capacity	See	Line No.
12000 lbs.	12000 lbs.		1				

Mfr Line Number	Scotseal® PlusXL	Scotseal® Classic	Scotseal® Longlife	Inner (Cone/Cup)	Outer (Cone/Cup)	Location	Grease Seal Number
--------------------	---------------------	----------------------	-----------------------	---------------------	---------------------	----------	-----------------------

HammerBlow

1		31323		BR3984/ BR3920			
---	--	-------	--	-------------------	--	--	--

Hayes Axle Model Index

Model	Capacity	See	Line No.	Model	Capacity	See	Line No.
10K	1000 lbs.		4	H-80	8000 lbs.		3
12K	12000 lbs.		1	K-80	8000 lbs.		2
16K	16000 lbs.		5	K-80P	8000 lbs.		2
90249	10000 lbs.		1	T-80	8000 lbs.		3
D-80	8000 lbs.		3				

Mfr Line Number	Scotseal® PlusXL	Scotseal® Classic	Scotseal® Longlife	Inner (Cone/Cup)	Outer (Cone/Cup)	Location	Grease Seal Number
--------------------	---------------------	----------------------	-----------------------	---------------------	---------------------	----------	-----------------------

Hayes

1		31281		JM511946 VP/ JM511910 VP	JM205149 VP/ JM205110 VP		
2				BR28580/ BR28521	BR25580/ BR25520		
3				BR28580/ BR28521			
4	General Duty - 99 Spindle			BR28580/ BR28521	BR25580/ BR25520		
	Heavy Duty - 120 Spindle	31281		JM511946 VP/ JM511910 VP	JM205149 VP/ JM205110 VP		
5		31281		BR39590/ BR39520 ▲SET408	JM205149 VP/ JM205110 VP		

Heil Co. - See Axle Mfr.

Hendrickson Axle Model Index

Model	Capacity	See	Line No.	Model	Capacity	See	Line No.
AAEDL	30000 lbs.		1	AAT	25000 lbs.		1
AAEDT	30000 lbs.		1	AAT	30000 lbs.		1
AAL	23000 lbs.		1	AAZL	23000 lbs.		1
AAL	25000 lbs.		1	AAZL	46000 lbs.		1
AAL	30000 lbs.		1	AAZNT	23000 lbs.		1
AANLS	20000 lbs.		1	AAZNT	46000 lbs.		1
AAT	23000 lbs.		1				

Hendrickson

1	HP Spindle	42627	42623	42631	HM518445 VP/ HM518410 VP ▲SET415	HM518445 VP/ HM518410 VP ▲SET415	
	HN Spindle	46300	46305	46308	HM218248 VP/ HM218210 VP ▲SET414	HM212049 VP/ HM212011 VP ▲SET413	

Mfr Line Number	Scotseal® PlusXL	Scotseal® Classic	Scotseal® Longlife	Inner (Cone/Cup)	Outer (Cone/Cup)	Grease Seal Location	Number
-----------------	------------------	-------------------	--------------------	------------------	------------------	----------------------	--------

Hobbs Trailer - See Axle Mfr.

IHC - See Navistar

Ingersoll Axle Model Index

Model	Capacity	See	Line No.	Model	Capacity	See	Line No.
A15S			7	F12	12000 lbs.		10
A19			6	F19	19000 lbs.		11
A19H			3	F19H	19000 lbs.		11
A19S			3	F19S	19000 lbs.		11
A21S			5	F22	22000 lbs.		12
A22			1	F22H	22000 lbs.		12
A22H			1	F22S	22000 lbs.		12
A22S			1	F22T	22000 lbs.		12
A24			2	F23	23000 lbs.		13
A24P			4	F23H	23000 lbs.		13
A26			5	F23S	23000 lbs.		13
A26S			5	F24	24000 lbs.		14
A45S			8	F24H	24000 lbs.		14
A65S			9	F24S	24000 lbs.		14
DC19	19000 lbs.		11	F24T	24000 lbs.		14
DC22	22000 lbs.		12				
DC23	23000 lbs.		13				
DC24	24000 lbs.		14				

Mfr Line Number	Scotseal® PlusXL	Scotseal® Classic	Scotseal® Longlife	Inner (Cone/Cup)	Outer (Cone/Cup)	Grease Seal Location	Number
-----------------	------------------	-------------------	--------------------	------------------	------------------	----------------------	--------

Ingersoll

1 Budd & Motor Wheel Whls...	46300	46305	46308	HM218248 VP/ HM218210 VP ▲SET414	HM212049 VP/ HM212011 VP ▲SET413		
2 Budd & Motor Wheel Whls...	42627	42623	42631	HM518445 VP/ HM518410 VP ▲SET415	HM518445 VP/ HM518410 VP ▲SET415		
3 Budd Whls.	40129	40136		BR663/ BR653 ▲SET405	HM212049 VP/ HM212011 VP ▲SET413		
4 Budd Whls.		42624		BR749/ BR742	BR643/ BR632		
5 Budd Whls.		45162		BR759/ BR752	BR740/ BR742		
6 Motor Wheel Whls. w/3.250" Inner Cone I.D.	40129	40136		BR663/ BR653 ▲SET405	HM212049 VP/ HM212011 VP ▲SET413		

Mfr Line Number	Scotseal® PlusXL	Scotseal® Classic	Scotseal® Longlife	Inner (Cone/Cup)	Outer (Cone/Cup)	Location	Grease Seal Number
-----------------	------------------	-------------------	--------------------	------------------	------------------	----------	--------------------

Ingersoll (continued)

3.375" Inner Cone I.D.				665-A VP/ BR653	HM212049 VP/ HM212011 VP ▲SET413		
7				BR657/ BR563	BR528/ BR522		
8					BR6580/ BR6535		
9					BR6580/ BR6535		
10	35058	35066	35103	HM212049 VP/ HM212011 VP ▲SET413	BR3782/ BR3720 ▲SET406	Inner	35062
11	40129	40136		BR663/ BR653 ▲SET405	HM212049 VP/ HM212011 VP ▲SET413		
12	46300	46305	46308	HM218248 VP/ HM218210 VP ▲SET414	HM212049 VP/ HM212011 VP ▲SET413		
13	46300	46305	46308	HM218248 VP/ HM218210 VP ▲SET414			
14	42627	42623	42631	HM518445 VP/ HM518410 VP ▲SET415	HM518445 VP/ HM518410 VP ▲SET415		

KGI Limited Axle Model Index

Model	Capacity	See	Line No.	Model	Capacity	See	Line No.
K250			1	KG225			2

Mfr Line Number	Scotseal® PlusXL	Scotseal® Classic	Scotseal® Longlife	Inner (Cone/Cup)	Outer (Cone/Cup)	Location	Grease Seal Number
-----------------	------------------	-------------------	--------------------	------------------	------------------	----------	--------------------

KGI Limited

1		42624		BR749/ BR742	BR643/ BR632		
2	40129	40136		BR663/ BR653 ▲SET405	HM212049 VP/ HM212011 VP ▲SET413		

Kay-Brunner Axle Model Index

Model	Capacity	See	Line No.	Model	Capacity	See	Line No.
KB19			2	KBS			1
KB4			2	KBW			1
KB5			2	S37	37000 lbs.		3
KB6			2	T11	11000 lbs.		4
KB7			2	T-11			7
KB8			2	T145	14500 lbs.		2

For in-text symbols, see page 5A.

Kay-Brunner Axle Model Index (continued)

Model	Capacity	See	Line No.	Model	Capacity	See	Line No.
T18W	18000 lbs.		2	XHT21	21000 lbs.		5
T21	21000 lbs.		5				
T27	27000 lbs.		6				
T37	40000 lbs.		3				

Mfr Line Number	Scotseal® PlusXL	Scotseal® Classic	Scotseal® Longlife	Inner (Cone/Cup)	Outer (Cone/Cup)	Location	Grease Seal Number
--------------------	---------------------	----------------------	-----------------------	---------------------	---------------------	----------	-----------------------

Kay-Brunner

1		46300	46305	46308	HM218248 VP/ HM218210 VP ▲SET414	HM212049 VP/ HM212011 VP ▲SET413	
2		40129	40136		BR663/ BR653 ▲SET405	HM212049 VP/ HM212011 VP ▲SET413	
3						BR740/ BR742	
4					BR560/ 552-A VP		
5					BR749/ BR742	HM212049 VP/ HM212011 VP ▲SET413	
6			45162		BR759/ BR752	BR740/ BR742	
7					BR419/ BR414		

Kelsey Hayes Co. Axle Model Index

Model	Capacity	See	Line No.	Model	Capacity	See	Line No.
KH1	10000 lbs.		1				

Mfr Line Number	Scotseal® PlusXL	Scotseal® Classic	Scotseal® Longlife	Inner (Cone/Cup)	Outer (Cone/Cup)	Location	Grease Seal Number
--------------------	---------------------	----------------------	-----------------------	---------------------	---------------------	----------	-----------------------

Kelsey Hayes Co.

1			31281		JM511946 VP/ JM511910 VP	JM205149 VP/ JM205110 VP	
----------	--	--	-------	--	-----------------------------	-----------------------------	--

Kentucky Mfg. - See Axle Mfr.

Kenworth Axle Model Index

Model	Capacity	See	Line No.	Model	Capacity	See	Line No.
8QHD(SQHD)			1				

Mfr Line Number	Scotseal® PlusXL	Scotseal® Classic	Scotseal® Longlife	Inner (Cone/Cup)	Outer (Cone/Cup)	Grease Seal Location	Number
--------------------	---------------------	----------------------	-----------------------	---------------------	---------------------	-------------------------	--------

Kenworth

1	47692 (Reorder:) 47691	47697 or 47698 ⁵	47693	598-A VP/ 592-A VP ▲SET404			
---	------------------------------	--------------------------------	-------	----------------------------------	--	--	--

Kershaw Axle Model Index

Model	Capacity	See	Line No.	Model	Capacity	See	Line No.
K14	14000 lbs.		1	K25	25000 lbs.		4
K20	20000 lbs.		2	K30	30000 lbs.		5
K21	21000 lbs.		2	K45	45000 lbs.		6
K22	22000 lbs.		3	K65	65000 lbs.		7

Mfr Line Number	Scotseal® PlusXL	Scotseal® Classic	Scotseal® Longlife	Inner (Cone/Cup)	Outer (Cone/Cup)	Grease Seal Location	Number
--------------------	---------------------	----------------------	-----------------------	---------------------	---------------------	-------------------------	--------

Kershaw

1		35075		BR567/ BR563 ▲SET425	BR528/ BR522		
2	40129	40136 or 40139 ⁵		BR663/ BR653 ▲SET405 665-A VP/ BR653	HM212049 VP/ HM212011 VP ▲SET413 HM212049 VP/ HM212011 VP ▲SET413		
3	46300	46305	46308	HM218248 VP/ HM218210 VP ▲SET414	HM212049 VP/ HM212011 VP ▲SET413		
4		42624		BR749/ BR742	BR643/ BR632		
5		45162		BR759/ BR752	BR740/ BR742		
6				BR780/ BR772	BR6580/ BR6535		
7					BR6580/ BR6535		

La Crosse Axle Model Index

Model	Capacity	See	Line No.	Model	Capacity	See	Line No.
SD5105			1	SD5105			2

Mfr Line Number	Scotseal® PlusXL	Scotseal® Classic	Scotseal® Longlife	Inner (Cone/Cup)	Outer (Cone/Cup)	Grease Seal Location	Number
La Crosse							
1				BR663/ BR653 ▲SET405			
2				749-A VP/ BR742			

Lufkin Trailer - See Axle Mfr.

Mack Axle Model Index

Model	Capacity	See	Line No.	Model	Capacity	See	Line No.
SWDR-48	27000 lbs.		1	SWDR-49	27000 lbs.		1

Mfr Line Number	Scotseal® PlusXL	Scotseal® Classic	Scotseal® Longlife	Inner (Cone/Cup)	Outer (Cone/Cup)	Grease Seal Location	Number
Mack							
1							
5.750" Outer Cup O.D.		43865		BR598/ 592-A VP	BR665/ BR653	Inner	43820
6.375" Outer Cup O.D.		43865		BR598/ 592-A VP		Inner	43820

Matlock Trailer - See Axle Mfr.

Meritor Axle Model Index

Model	Capacity	See	Line No.	Model	Capacity	See	Line No.
5B715M			14	TK4670	22500 lbs.		4
				TK6680	20000 lbs.		2
BUS TAG			18	TKD Series	17000 lbs.		4
BUS TAG			19	TKD Series	20000 lbs.		4
FV Series			1	TKLD	20000 lbs.		16
JWVC	19000 lbs.		16	TKLD Series	16000 lbs.		1
RL Series	22000 lbs.		1	TKLD Series	20000 lbs.		1
RN Series	23000 lbs.		2	TKL Series	20000 lbs.		1
RQ Series	22500 lbs.		2	TKN6270	16000 lbs.		17
RX180	23000 lbs.		14	TKN6570	20000 lbs.		17
SLHR			13	TKN6610	20000 lbs.		17
T-11301			21	TKN6670	20000 lbs.		17
T11311			8	TKNC Series			2
T13	30000 lbs.		9	TKND	20000 lbs.		4
T14	14000 lbs.		3	TKN Series	22000 lbs.		2
T14000	14000 lbs.		3	TKP Series	18000 lbs.		4
T17	17000 lbs.		4	TK Series	20000 lbs.		4
T17000	17000 lbs.		4	TLD Series	22000 lbs.		1
T17029	17000 lbs.		4	TL Series	22000 lbs.		1
T17127	17000 lbs.		4	TM20000			14
T17129	17000 lbs.		4	TM22500			14
T17227	17000 lbs.		4	TM25000			14
T17229	17000 lbs.		4	TM25000	25000 lbs.		14
T17237	17000 lbs.		4	TM Series			14
T18	18000 lbs.		4	TN4270	22500 lbs.		17
T18127	18000 lbs.		4	TN4560	22500 lbs.		17
T20	20000 lbs.		10	TN4570	22500 lbs.		17
T2000	20000 lbs.		11	TN4610	22500 lbs.		17
T-2067			20	TN4670	22500 lbs.		17
T25	25000 lbs.		12	TN4680	22500 lbs.		17
THD Series	14000 lbs.		3	TN6270	22500 lbs.		17
TH Series	14000 lbs.		3	TN6560	22500 lbs.		17
TK4270	20000 lbs.		4	TN6570	22500 lbs.		17

Meritor Axle Model Index (continued)

Model	Capacity	See	Line No.	Model	Capacity	See	Line No.
TN6610	22500 lbs.		17	TR767	22500 lbs.		15
TN6670	22500 lbs.		17	TR8670	25000 lbs.		14
TN6680	22500 lbs.		17	TR8870	25000 lbs.		14
TNC Series	17000 lbs.		2	TR9670	30000 lbs.		14
TND Series			2	TR9870	30000 lbs.		14
TN Series	22500 lbs.		2	TRD	17000 lbs.		14
TP4670	22500 lbs.		5	TRD Series	22000 lbs.		1
TP4680	22500 lbs.		5	TRD Series	17000 lbs.		14
TP6670	22500 lbs.		5	TR Series	22500 lbs.		6
TP6680	22500 lbs.		2	TT9670	30000 lbs.		14
TP8670	25000 lbs.		5	TT9870	30000 lbs.		14
TP Series	22500 lbs.		5	TT Series	30000 lbs.		6
TQ4270	22500 lbs.		17	TU Series	30000 lbs.		7
TQ4670	22500 lbs.		17	TW Series			22
TQC			17	TWVC	19000 lbs.		16
TQD Series	17000 lbs.		2				
TQ Series	22500 lbs.		2				
TR	25000 lbs.		14				
TR4560	22500 lbs.		14				
TR4670	22500 lbs.		14				

Mfr Line Number	Scotseal® PlusXL	Scotseal® Classic	Scotseal® Longlife	Inner (Cone/Cup)	Outer (Cone/Cup)	Grease Seal Location	Number
--------------------	---------------------	----------------------	-----------------------	---------------------	---------------------	-------------------------	--------

Meritor

1 w/o Budd Whls. & Gunite 81012 Anti-Skid Control Kit..	43754	43752		665-A VP/ BR653	HM212049 VP/ HM212011 VP ▲SET413	Inner	43751
w/Budd Whls.				BR663/ BR653 ▲SET405	HM212049 VP/ HM212011 VP ▲SET413		
w/Gunite 81012 Anti-Skid Control Kit	45093	45099		665-A VP/ BR653	HM212049 VP/ HM212011 VP ▲SET413		
2	46300	46305	46308	HM218248 VP/ HM218210 VP ▲SET414	HM212049 VP/ HM212011 VP ▲SET413		
3		39380		495-AX VP/ BR493	BR3984/ BR3920	Inner	39385
4 .14" Cone Front Face Radius.	40129	40136 or 40139 ⁵		BR663/ BR653 ▲SET405	HM212049 VP/ HM212011 VP ▲SET413		
.27" Cone Front Face Radius.	40129	40136 or 40139 ⁵		663-A/ BR653	HM212049 VP/ HM212011 VP ▲SET413		
5	42627	42623 or 42625 ⁵	42631	HM518445 VP/ HM518410 VP ▲SET415	HM518445 VP/ HM518410 VP ▲SET415		
6 w/o Budd & Motor Wheel Whls. Exc. TR4670 Axle ...	☆ 47692 (Reorder: 47691	47697 or 47698 ⁵	47693	594-A VP/ 592-A VP ▲SET403	HM516449-C VP/ HM516410 VP		

For in-text symbols, see page 5A.

Mfr Line Number	Scotseal® PlusXL	Scotseal® Classic	Scotseal® Longlife	Inner (Cone/Cup)	Outer (Cone/Cup)	Grease Seal Location	Number
Meritor (continued)							
TR4670 Axle; Budd & Motor Wheel Whls.	☆ 47692 (Reorder:) 47691	47697 or 47698 ⁵	47693	598-A VP/ 592-A VP ▲SET404	BR580/ BR572 ▲SET401		
7				BR52401/ BR52637	BR596/ 592-A VP		
8 3.672" Outer Cup O.D.		36285		HM212047 VP/ HM212011 VP ▲SET412	BR3779/ BR3720		
4.125" Outer Cup O.D.		36285		HM212047 VP/ HM212011 VP ▲SET412	BR45282/ BR45220		
9		35075		BR567/ BR563 ▲SET425	BR528/ BR522		
10		42624		BR749/ BR742	BR643/ BR632		
11	☆ 47692 (Reorder:) 47691	47697 or 47698 ⁵	47693	598-A VP/ 592-A VP ▲SET404	BR575/ BR572		
12 5.250" Outer Cone O.D. ...				BR594/ 592-A VP BR594/ 592-A VP	HM516449-C/ HM516410 VP BR663/ BR653 ▲SET405		
5.750" Outer Cone O.D. ...							
13		38750		BR47686/ BR47620 ▲SET411	BR39590/ BR39520 ▲SET408		
14	☆ 47692 (Reorder:) 47691	47697 or 47698 ⁵	47693	594-A VP/ 592-A VP ▲SET403	BR580/ BR572 ▲SET401	Inner	45150
15	☆ 47692 (Reorder:) 47691	47697 or 47698 ⁵	47693	594-A VP/ 592-A VP ▲SET403	HM516449-C VP/ HM516410 VP ▲SET422		
16 4.000" Seal Shaft	40129	40136 or 40139 ⁵		665-A VP/ BR653	HM212049 VP/ HM212011 VP ▲SET413		
4.375" Seal Shaft	43754	43752		665-A VP/ BR653	HM212049 VP/ HM212011 VP ▲SET413		
17	46300	46305	46308	HM218248 VP/ HM218210 VP ▲SET414	HM212049 VP/ HM212011 VP ▲SET413		

**A
P
P
L
I
C
A
T
I
O
N
S**

**T
R
A
I
L
E
R
,
T
A
G
&
P
U
S
H
E
R
A
X
L
E
S**

**F
R
O
N
T
A
X
L
E
S**

**D
R
I
V
E
A
X
L
E
S**

**M
E
D
I
U
M
T
R
U
C
K**

Mfr Line Number	Scotseal® PlusXL	Scotseal® Classic	Scotseal® Longlife	Inner (Cone/Cup)	Outer (Cone/Cup)	Location	Grease Seal Number
--------------------	---------------------	----------------------	-----------------------	---------------------	---------------------	----------	-----------------------

Meritor (continued)

18		44964 or 45010			BR663/ BR653 ▲SET405		
19	40091	40086		BR6379/ BR6320	557-S VP/ 552-A VP		
20	45157	45160		598-A VP/ 592-A VP ▲SET404	BR580/ BR572 ▲SET401		
21	35058	35066	35103	HM212044 VP/ HM212011 VP	BR3782/ BR3720 ▲SET406		
22				BR576/ BR772	HM617049/ HM617010		

Miller Trailer - See Axle Mfr.

Monon - See Axle Mfr.

Moss Gear Axle Model Index

Model	Capacity	See	Line No.	Model	Capacity	See	Line No.
5B715M			1	TM22500			1
TM20000			1				

Mfr Line Number	Scotseal® PlusXL	Scotseal® Classic	Scotseal® Longlife	Inner (Cone/Cup)	Outer (Cone/Cup)	Location	Grease Seal Number
--------------------	---------------------	----------------------	-----------------------	---------------------	---------------------	----------	-----------------------

Moss Gear

1	46300	46305	46308	HM218248 VP/ HM218210 VP ▲SET414	HM212049 VP/ HM212011 VP ▲SET413		
---	-------	-------	-------	--	--	--	--

Motor Wheel - See Axle Mfr.

Nabors Trailer Axle Model Index

Model	Capacity	See	Line No.	Model	Capacity	See	Line No.
NU			1				

Mfr Line Number	Scotseal® PlusXL	Scotseal® Classic	Scotseal® Longlife	Inner (Cone/Cup)	Outer (Cone/Cup)	Grease Seal Location	Number
1							
.....	40129	40136 or 40139 ⁵		BR663/ BR653 ▲SET405	HM212049 VP/ HM212011 VP ▲SET413		

Navistar Axle Model Index

Model	Capacity	See	Line No.	Model	Capacity	See	Line No.
RA400	18000 lbs.		1	RA431	34000 lbs.		6
RA410	20000 lbs.		2	RA432	34000 lbs.		6
RA411	20000 lbs.		2	RA437	34000 lbs.		4
RA417	18000 lbs.		3	RA438	9000 lbs.		7
RA418	18000 lbs.		4	RA439	9000 lbs.		7
RA420	18000 lbs.		3	RA441	20000 lbs.		3
RA421	18000 lbs.		3	RA560	18000 lbs.		3
RA422	18000 lbs.		3	RA570	18000 lbs.		3
RA423	18000 lbs.		1	RA571	18000 lbs.		3
RA424			5				
RA426			8				
RA429	34000 lbs.		6				

Mfr Line Number	Scotseal® PlusXL	Scotseal® Classic	Scotseal® Longlife	Inner (Cone/Cup)	Outer (Cone/Cup)	Grease Seal Location	Number
1							
.....	45157	45160		BR594/ 592-A VP	BR580/ BR572 ▲SET401	Outer Inner - 4.500" Shaft	29887 45150
2							
.....		35075		BR567/ BR563 ▲SET425	BR528/ BR522		
3							
.....	40129	40136 or 40139 ⁵		BR663/ BR653 ▲SET405	HM212049 VP/ HM212011 VP ▲SET413		
4							
.....	45157	45160		594-A VP/ 592-A VP ▲SET403	BR580/ BR572 ▲SET401	Outer Inner	29887 45150
5							
w/o Gunitite 81012 Anti-Skid Control Kit	43754	43752		BR663/ BR653 ▲SET405	HM212049 VP/ HM212011 VP ▲SET413		
w/Gunitite 81012 Anti-Skid Control Kit	45093	45099		BR663/ BR653 ▲SET405	HM212049 VP/ HM212011 VP ▲SET413		
6							
4.500" Shaft	45157	45160		598-A VP/ 592-A VP ▲SET404	BR580/ BR572 ▲SET401	Outer Inner	29887 45150
4.766" Shaft	◇ 47692 (Reorder: 47691	47697 or 47698 ⁵	47693	598-A VP/ 592-A VP ▲SET404	BR580/ BR572 ▲SET401	Outer Seal Kit	31378

Mfr Line Number	Scotseal® PlusXL	Scotseal® Classic	Scotseal® Longlife	Inner (Cone/Cup)	Outer (Cone/Cup)	Grease Seal Location	Number
--------------------	---------------------	----------------------	-----------------------	---------------------	---------------------	-------------------------	--------

Navistar (continued)

7	35058	35066 or 35072 ⁵	35103	557-A/ 553-X	BR3782/ BR3720 ▲SET406	Inner	35062
8	46300	46305	46308	HM218248 VP/ HM218210 VP ▲SET414	HM212049 VP/ HM212011 VP ▲SET413		

Ohio Body Mfg. - See Axle Mfr.

Palmer Axle Model Index

Model	Capacity	See	Line No.	Model	Capacity	See	Line No.
T18	18000 lbs.		1				

Mfr Line Number	Scotseal® PlusXL	Scotseal® Classic	Scotseal® Longlife	Inner (Cone/Cup)	Outer (Cone/Cup)	Grease Seal Location	Number
--------------------	---------------------	----------------------	-----------------------	---------------------	---------------------	-------------------------	--------

Palmer

1	40129	40136 or 40139 ⁵		BR663/ BR653 ▲SET405	BR560/ 553-X		
---	-------	-----------------------------	--	----------------------------	-----------------	--	--

Pines Trailer - See Axle Mfr.

Polar American - See Axle Mfr.

Prior Axle Model Index

Model	Capacity	See	Line No.	Model	Capacity	See	Line No.
10000 lbs.	10000 lbs.		1				

Mfr Line Number	Scotseal® PlusXL	Scotseal® Classic	Scotseal® Longlife	Inner (Cone/Cup)	Outer (Cone/Cup)	Grease Seal Location	Number
--------------------	---------------------	----------------------	-----------------------	---------------------	---------------------	-------------------------	--------

Prior

1				JM511946 VP/ JM511910 VP	JM205149 VP/ JM205110 VP		
---	--	--	--	-----------------------------	-----------------------------	--	--

R.O.R. Axle Model Index

Model	Capacity	See	Line No.	Model	Capacity	See	Line No.
H1600			1	U20000			3
TKL Series			3	UT2010P			3
TK Series			4	UT2010Q			3
TL20000			3	UT2070			3
TM22000			2				

For in-text symbols, see page 5A.

Mfr Line Number	Scotseal® PlusXL	Scotseal® Classic	Scotseal® Longlife	Inner (Cone/Cup)	Outer (Cone/Cup)	Grease Seal Location	Number
R.O.R.							
1		39380		495-AX VP/ BR493	BR3984/ BR3920		
2	46300	46305	46308	HM218248 VP/ HM218210 VP ▲SET414	HM212049 VP/ HM212011 VP ▲SET413		
3 w/o Gunite 81012 Anti-Skid Control Kit	43754	43752		665-A VP/ BR653	HM212049 VP/ HM212011 VP ▲SET413		
w/Gunite 81012 Anti-Skid Control Kit	45093	45099		665-A VP/ BR653	HM212049 VP/ HM212011 VP ▲SET413		
4	40129	40136 or 40139 ⁵		BR663/ BR653 ▲SET405	HM212049 VP/ HM212011 VP ▲SET413		

Ravens Metal Products - See Axle Mfr.

Reliance Trailer Mfr. - See Axle Mfr.

Rockwell - See Meritor

Rogers Bros. Corp. - See Axle Mfr.

Sauer Axle Model Index

Model	Capacity	See	Line No.	Model	Capacity	See	Line No.
RHLS			2	RZ10041			1
RLZ10041			1	RZ14242			1

Mfr Line Number	Scotseal® PlusXL	Scotseal® Classic	Scotseal® Longlife	Inner (Cone/Cup)	Outer (Cone/Cup)	Grease Seal Location	Number
Sauer							
1 Budd Whls. w/o 15" 3 Spoke Whl. & 20" Spoke Whl.	40129	40136		BR663/ BR653 ▲SET405	HM212049 VP/ HM212011 VP ▲SET413		
Budd Whls. w/o 15" 2 Spoke Whl. & 20" 6 Spoke Whl. ...		42624		BR749/ BR742	BR643/ BR632		
2 Budd & Motor Wheel Whls...	42627	42623	42631	HM518445 VP/ HM518410 VP ▲SET415	HM518445 VP/ HM518410 VP ▲SET415		

Sauer (Otto) Axle Model Index

Model	Capacity	See	Line No.	Model	Capacity	See	Line No.
16000 lbs.	16000 lbs.	1	22000 lbs.	22000 lbs.	2
20000 lbs.	20000 lbs.	2	23000 lbs.	23000 lbs.	3

Mfr Line Number	Scotseal® PlusXL	Scotseal® Classic	Scotseal® Longlife	Inner (Cone/Cup)	Outer (Cone/Cup)	Grease Seal Location	Grease Seal Number
-----------------	------------------	-------------------	--------------------	------------------	------------------	----------------------	--------------------

Sauer (Otto)

1							
3.938" Shaft		39380					
4.625" Shaft	46300	46305	46308	HM218248 VP/ HM218210 VP ▲SET414	HM212049 VP/ HM212011 VP ▲SET413		
2							
.....	46300	46305	46308	HM218248 VP/ HM218210 VP ▲SET414	HM212049 VP/ HM212011 VP ▲SET413		
3							
w/o Gunitite 81012 Anti-Skid Control Kit	43754	43752		JM718149 VP/ JM718110 VP	HM212049 VP/ HM212011 VP ▲SET413		

Schuler Mfg. & Equip. - See Eaton

Spencer Axle Model Index

Model	Capacity	See	Line No.	Model	Capacity	See	Line No.
209	1	409	1
309	1	509	1
408	2				

Mfr Line Number	Scotseal® PlusXL	Scotseal® Classic	Scotseal® Longlife	Inner (Cone/Cup)	Outer (Cone/Cup)	Grease Seal Location	Grease Seal Number
-----------------	------------------	-------------------	--------------------	------------------	------------------	----------------------	--------------------

Spencer

1							
.....		42624		BR749/ BR742	BR643/ BR632		
2							
.....	40129	40136		BR663/ BR653 ▲SET405	HM212049 VP/ HM212011 VP ▲SET413		

Spicer Axle Model Index

Model	Capacity	See	Line No.	Model	Capacity	See	Line No.
20L	20000 lbs.	10	C-07LA3	10
20L-77	20000 lbs.	10	C2	20000 lbs.	11
21D	21000 lbs.	12	CB	20000 lbs.	10
22L	22000 lbs.	11	CD	20000 lbs.	10
22R	22000 lbs.	11	CD2	20000 lbs.	11
23L	23000 lbs.	3	CE	20000 lbs.	10
23L501	23000 lbs.	3	D	20000 lbs.	12
23R	23000 lbs.	3	D10	12000 lbs.	18
24L	23000 lbs.	3	D14	15000 lbs.	1
25LD	25000 lbs.	12	D21	4
25LD-501	25000 lbs.	12	D22	3
25R	25000 lbs.	3	DD21	3
25RD	25000 lbs.	19	DD22	2
A	20000 lbs.	10	DE	20000 lbs.	12
A45	45000 lbs.	20	DH	20000 lbs.	12
A65	65000 lbs.	9	DWL1	20000 lbs.	12
B	20000 lbs.	10	E	23000 lbs.	11
C	20000 lbs.	10	ED	22500 lbs.	11

For in-text symbols, see page 5A.

Spicer Axle Model Index (continued)

Model	Capacity	See	Line No.	Model	Capacity	See	Line No.
EH	22500 lbs.		11	P22			4
ESR225J	22500 lbs.		3	R900			22
ESR225P	22500 lbs.		21	R909			23
ESR230J	23000 lbs.		3	T	25000 lbs.		3
ESR230P	23000 lbs.		21	T11A	11000 lbs.		15
EST225J	22500 lbs.		3	T14	15000 lbs.		1
EST225P	22500 lbs.		21	T14-4500	15000 lbs.		1
EST230J	23000 lbs.		3	T14-4516	15000 lbs.		1
EST230P	23000 lbs.		21	T14-4519	15000 lbs.		1
ETA225D	22500 lbs.		12	T14-4545	15000 lbs.		1
ETA225J	22500 lbs.		10	T14-4566	15000 lbs.		1
ETA230C	23000 lbs.		3	T14-4575	15000 lbs.		1
H			13	T14-4576	15000 lbs.		1
H25LD	25000 lbs.		12	T14D	15000 lbs.		1
H25R	25000 lbs.		3	T18	20000 lbs.		10
HD			13	T18A	20000 lbs.		10
J	20000 lbs.		3	T18B	20000 lbs.		10
J501			3	T18C	20000 lbs.		10
JE	20000 lbs.		3	T18D-226	20000 lbs.		10
JH	20000 lbs.		3	T20L	20000 lbs.		10
K14	14000 lbs.		1	T20L-77	20000 lbs.		10
K20	20000 lbs.		2	T21	21000 lbs.		5
K21	21000 lbs.		2	T21D	21000 lbs.		5
K22	22000 lbs.		3	T22L	22000 lbs.		11
K24			4	T23L	23000 lbs.		3
K25	25000 lbs.		5	T24L	23000 lbs.		3
K25			7	T25	25000 lbs.		14
K30	30000 lbs.		6	T25-6000	25000 lbs.		14
K45			8	T9	18000 lbs.		16
K65			9	T9AD	9000 lbs.		17
KTT21			2	T-9D			24
LA15	15000 lbs.		10	W	30000 lbs.		14
N	15000 lbs.		1	X1A			15
ND	15000 lbs.		1				
P			4				

Mfr Line Number	Scotseal® PlusXL	Scotseal® Classic	Scotseal® Longlife	Inner (Cone/Cup)	Outer (Cone/Cup)	Grease Seal Location	Grease Seal Number
1		35075		BR567/ BR563 ▲SET425	BR528/ BR522		
2							
3.250" Inner Cone I.D.	40129	40136 or 40139 ⁵		BR663/ BR653 ▲SET405	HM212049 VP/ HM212011 VP ▲SET413		
3.375" Inner Cone I.D.	40129	40136 or 40139 ⁵		665-A VP/ BR653	HM212049 VP/ HM212011 VP ▲SET413		
3							
.....	46300	46305	46308	HM218248 VP/ HM218210 VP ▲SET414	HM212049 VP/ HM212011 VP ▲SET413		
4							
.....	42627	42623	42631	HM518445 VP/ HM518410 VP ▲SET415	HM518445 VP/ HM518410 VP ▲SET415		
5							
.....		42624		BR749/ BR742	BR643/ BR632		

Mfr Line Number	Scotseal® PlusXL	Scotseal® Classic	Scotseal® Longlife	Inner (Cone/Cup)	Outer (Cone/Cup)	Location	Grease Seal Number
Spicer (continued)							
6		45162		BR759/ BR752	BR740/ BR742		
7					BR643/ BR633		
8				BR780/ BR772	BR6580/ BR6535		
9					BR6580/ BR6535		
10	40129	40136		BR663/ BR653 ▲ SET405	HM212049 VP/ HM212011 VP ▲ SET413		
11	43754	43752		665-A VP/ BR653	HM212049 VP/ HM212011 VP ▲ SET413		
12	◇ 47692 (Reorder:) 47691	47697	47693	594-A VP/ 592-A VP ▲ SET403	BR580/ BR572 ▲ SET401		
13		42624		BR749/ BR742	BR643/ BR632		
14		48884		BR760/ BR752	BR749/ BR742		
15				BR641/ BR633	BR527/ BR522		
16	35058	35066	35103	HM212044 VP/ HM212011 VP	BR3782/ BR3720 ▲ SET406		
17	45157	45160		557-A/ 552-A VP	BR3782/ BR3720 ▲ SET406		
18		28820		BR28995/ BR28920	BR25580/ BR25523		
19	◇ 47692 (Reorder:) 47691	47697	47693	598-A VP/ 592-A VP ▲ SET404	BR575/ BR572		
20					BR6580/ BR6535		

Mfr Line Number	Scotseal® PlusXL	Scotseal® Classic	Scotseal® Longlife	Inner (Cone/Cup)	Outer (Cone/Cup)	Grease Seal Location	Number
Spicer (continued)							
21	42627	42623	42631	HM518445 VP/ HM518410 VP ▲SET415	HM518445 VP/ HM518410 VP ▲SET415		
22		46390		BR593/ 592-A VP			
23				BR593/ 592-A	BR65390/ BR65320		
24				557-A/ 553-X	BR3782/ BR3720 ▲SET406		

Standard Forge Axle Model Index

Model	Capacity	See	Line No.	Model	Capacity	See	Line No.
408			1	A8.5S			2
A10S			2	A900			1
A11S			3	AL17S			1
A135			4	AT20T			5
A13S			4	DA11S			3
A15			4	DA13S			4
A15S			4	DA13X			4
A16			14	DA15S			4
A-16 Series			16	DA175			1
A17S			1	DA17S			1
A18S			1	DA19H			1
A19			1	DA19S			1
A19H			1	K14			4
A19S			1	K21			1
A-20 Series			5	K25			5
A20T			5	K30			7
A21			5	S700			1
A21S			1	S900			1
A-21 Series			17	SD2200AB			10
A21T			5	STA13			4
A-22			6	STA13S			4
A225			6	T8.5			2
A22H			6	T85			2
A22S			6	T8.5S			2
A24H			13	T85S			2
A24S			13	TA13S			4
A25			7	TA16S-60			15
A25S			7	TA16S-60 Series			15
A26			7	TA17			1
A26S			7	TA17S			1
A40			11	TA20T			5
A40S			11	TA21T			5
A45S			8	TA25			7
A50			12	TA26			7
A60			12	TTA13S			4
A60S			12	TTA17			1
A65			9	TTA17S			1
A65S			9				
A700			1				

Mfr Line Number	Scotseal® PlusXL	Scotseal® Classic	Scotseal® Longlife	Inner (Cone/Cup)	Outer (Cone/Cup)	Location	Grease Seal Number
Standard Forge							
1	40129	40136 or 40139 ⁵		BR663/ BR653 ▲SET405	HM212049 VP/ HM212011 VP ▲SET413		
2		28820		BR28995/ BR28920	BR25580/ BR25523		
3				560-S/ 552-A VP	BR419/ BR414		
4		35075		BR567/ BR563 ▲SET425	BR528/ BR522		
5		42624		BR749/ BR742	BR643/ BR632		
6	46300	46305	46308	HM218248 VP/ HM218210 VP ▲SET414	HM212049 VP/ HM212011 VP ▲SET413		
7		45162		BR759/ BR752	BR740/ BR742		
8					BR6580/ BR6535		
9					BR6580/ BR6535		
10		35075		BR39250/ BR39412			
11				BR780/ BR772	BR6580/ BR6535		
12					BR6580/ BR6535		
13	42627	42623	42631	HM518445 VP/ HM518410 VP ▲SET415	HM518445 VP/ HM518410 VP ▲SET415		
14				BR581/ BR572	HM212049 VP/ HM212011 VP ▲SET413		
15				BR580/ BR572 ▲SET401	BR560/ 553-X		

For in-text symbols, see page 5A.

Mfr Line Number	Scotseal® PlusXL	Scotseal® Classic	Scotseal® Longlife	Inner (Cone/Cup)	Outer (Cone/Cup)	Grease Seal Location	Number
Standard Forge (continued)							
16				BR580/ BR572 ▲SET401	HM212049 VP/ HM212011 VP ▲SET413		
17					BR643/ BR633		

Stoughton Trailers Inc. - See Axle Mfr.

Strick Corp. - See Axle Mfr.

Sudisa Axle Model Index

Model	Capacity	See	Line No.	Model	Capacity	See	Line No.
EA11ED From 1969			1	EA12TD From 1969			1
EA11EM			2	EA12TF			3
EA11TM			2	EA9EM			2
EA12EF			3	ET9M			2

Mfr Line Number	Scotseal® PlusXL	Scotseal® Classic	Scotseal® Longlife	Inner (Cone/Cup)	Outer (Cone/Cup)	Grease Seal Location	Number
Sudisa							
1				594-A VP/ 592-A VP ▲SET403	BR580/ BR572 ▲SET401		
2				HM218248 VP/ HM218210 VP ▲SET414	HM212049 VP/ HM212011 VP ▲SET413		
3				HM518445 VP/ HM518410 VP ▲SET415	HM518445 VP/ HM518410 VP ▲SET415		

Theurer Atlantic - See Axle Mfr.

Timken - See Meritor

Timpte - See Axle Mfr.

Trailmobile - See Axle Mfr.

Trailor Axle Model Index

Model	Capacity	See	Line No.	Model	Capacity	See	Line No.
23000 lbs.	23000 lbs.		1				

TRAILER, TAG & PUSHER AXLES

FRONT AXLES

DRIVE AXLES

MEDIUM TRUCK

Mfr Line Number	Scotseal® PlusXL	Scotseal® Classic	Scotseal® Longlife	Inner (Cone/Cup)	Outer (Cone/Cup)	Location	Grease Seal Number
-----------------	------------------	-------------------	--------------------	------------------	------------------	----------	--------------------

Trailer

1 w/o Gunite 81012 Anti-Skid Control Kit	43754	43752		JM718149 VP/ JM718110 VP	HM212049 VP/ HM212011 VP ▲SET413		
w/Gunite 81012 Anti-Skid Control Kit	45093	45099		JM718149 VP/ JM718110 VP	HM212049 VP/ HM212011 VP ▲SET413		

Trunnion Axle Model Index

Model	Capacity	See	Line No.	Model	Capacity	See	Line No.
TA-175			1				

Mfr Line Number	Scotseal® PlusXL	Scotseal® Classic	Scotseal® Longlife	Inner (Cone/Cup)	Outer (Cone/Cup)	Location	Grease Seal Number
-----------------	------------------	-------------------	--------------------	------------------	------------------	----------	--------------------

Trunnion

1	40129	40136 or 40139 ⁵		BR663/ BR653 ▲SET405	HM212049 VP/ HM212011 VP ▲SET413		
------------	-------	--------------------------------	--	----------------------------	--	--	--

Utility Equip Axle Model Index

Model	Capacity	See	Line No.	Model	Capacity	See	Line No.
18000 lbs. 18000 lbs.			1				

Mfr Line Number	Scotseal® PlusXL	Scotseal® Classic	Scotseal® Longlife	Inner (Cone/Cup)	Outer (Cone/Cup)	Location	Grease Seal Number
-----------------	------------------	-------------------	--------------------	------------------	------------------	----------	--------------------

Utility Equip

1 From 1965	40129	40136 or 40139 ⁵		BR663/ BR653 ▲SET405	HM212049 VP/ HM212011 VP ▲SET413		
----------------------	-------	--------------------------------	--	----------------------------	--	--	--

Volvo Axle Model Index

Model	Capacity	See	Line No.	Model	Capacity	See	Line No.
F7			1				

Mfr Line Number	Scotseal® PlusXL	Scotseal® Classic	Scotseal® Longlife	Inner (Cone/Cup)	Outer (Cone/Cup)	Location	Grease Seal Number
-----------------	------------------	-------------------	--------------------	------------------	------------------	----------	--------------------

Volvo

1	45157	45160		BR594/ 592-A VP	BR580/ BR572 ▲SET401		
------------	-------	-------	--	--------------------	----------------------------	--	--

Vulcan Trailer - See Axle Mfr.

Wabash National Corp. - See Axle Mfr.

Webb - See Axle Mfr.

Westport Axle Model Index

Model	Capacity	See	Line No.	Model	Capacity	See	Line No.
F3W-1200			1	F6W-1600			1
F3W-1600			1	WS16 (w/Star Front)			1
F5W-0900			2				

Mfr Line Number	Scotseal® PlusXL	Scotseal® Classic	Scotseal® Longlife	Inner (Cone/Cup)	Outer (Cone/Cup)	Grease Seal Location	Number
--------------------	---------------------	----------------------	-----------------------	---------------------	---------------------	-------------------------	--------

Westport

1	46300	46305	46308	HM218248 VP/ HM218210 VP ▲SET414	HM212049 VP/ HM212011 VP ▲SET413		
2				BR39581/ BR39520			

White Axle Model Index

TKN			1	TQD			1
-----	--	--	---	-----	--	--	---

Mfr Line Number	Scotseal® PlusXL	Scotseal® Classic	Scotseal® Longlife	Inner (Cone/Cup)	Outer (Cone/Cup)	Grease Seal Location	Number
--------------------	---------------------	----------------------	-----------------------	---------------------	---------------------	-------------------------	--------

White

1	46300	46305	46308	HM218248 VP/ HM218210 VP ▲SET414	HM212049 VP/ HM212011 VP ▲SET413		
-------------------	-------	-------	-------	--	--	--	--

Wilson Trailer Co. - See Axle Mfr.

NOTES

ACF Truck Axle Model Index

Model	Capacity	See	Line No.	Model	Capacity	See	Line No.
37P			2	C44			2
37PA			2	C51			3
37PB			2	IC41			2
37PBS			2	IC41A			2
41S			2	SU37			1
45S			2	T44			2
C27			1	T45			2
C27B			1	T46			2
C31			1	TC44			3
C31B			1				
C36			2				
C40			2				

Mfr Line Number	Scotseal® PlusXL	Scotseal® Classic	Scotseal® Longlife	Inner (Cone/Cup)	Outer (Cone/Cup)	Grease Seal Location	Number
--------------------	---------------------	----------------------	-----------------------	---------------------	---------------------	-------------------------	--------

ACF Truck

1						Inner	28848
2						Inner	40036
3						Inner	40078

Aerocoach - See Axle Mfr.

American LaFrance - See Axle Mfr.

ArvinMeritor (School Bus) Axle Model Index

Model	Capacity	See	Line No.	Model	Capacity	See	Line No.
FC900			1	FF921			3
FC931			1	FF931			3
FD900			2	FF932			6
FD921			2	FF933			3
FD931			2	FF934			3
FD961			3	FF941			3
FE900	Std. Axle	1st Design	4	FF942			6
FE900	Std. Axle	2nd Design	5	FF943			3
FE921			3	FF961			6
FE931			4	FG941			6
FF900			3	FG943			6

Mfr Line Number	Scotseal® PlusXL	Scotseal® Classic	Scotseal® Longlife	Inner (Cone/Cup)	Outer (Cone/Cup)	Grease Seal Location	Number
--------------------	---------------------	----------------------	-----------------------	---------------------	---------------------	-------------------------	--------

ArvinMeritor (School Bus)

1				BR45284/ BR45220 ▲SET410			
2	35058	35066	35103	BR39581/ BR39520	BR3585/ BR3525		
3	35058	35066	35103	HM212047 VP/ HM212011 VP ▲SET412	BR3782/ BR3720 ▲SET406		
4	35058	35066	35103	557-A/ 553-X	BR3782/ BR3720 ▲SET406		

Mfr Line Number	Scotseal® PlusXL	Scotseal® Classic	Scotseal® Longlife	Inner (Cone/Cup)	Outer (Cone/Cup)	Grease Seal Location	Number
--------------------	---------------------	----------------------	-----------------------	---------------------	---------------------	-------------------------	--------

ArvinMeritor (School Bus) (continued)

5	35058	35066	35103	HM212044 VP/ HM212011 VP	BR3782/ BR3720 ▲SET406		
6	35058	35066	35103	HM212049 VP/ HM212011 VP ▲SET413	BR3782/ BR3720 ▲SET406		

Autocar - See Axle Mfr.

Available - See Axle Mfr.

Bluebird Body Co. - See Axle Mfr.

Boyertown Auto Body Co. - See Axle Mfr.

Brockway - See Axle Mfr.

Brown - See Axle Mfr.

Capacity - See Axle Mfr.

Champion Motors - See Axle Mfr.

Chevrolet - See GMC

Clark Axle Axle Model Index

Model	Capacity	See	Line No.	Model	Capacity	See	Line No.
F-361	3600 lbs.	1	F-459	4500 lbs.	2
F-362	3600 lbs.	1	FDS-2000	20000 lbs.	3
F-458	4500 lbs.	2	FDS-20000	20000 lbs.	4

Mfr Line Number	Scotseal® PlusXL	Scotseal® Classic	Scotseal® Longlife	Inner (Cone/Cup)	Outer (Cone/Cup)	Grease Seal Location	Number
--------------------	---------------------	----------------------	-----------------------	---------------------	---------------------	-------------------------	--------

Clark Axle

1				BR2788/ BR2726	BR1380/ BR1328		
2				BR26882/ BR26822	BR15101/ BR15250		
3				BR593/ 592-A VP			

Mfr Line Number	Scotseal® PlusXL	Scotseal® Classic	Scotseal® Longlife	Inner (Cone/Cup)	Outer (Cone/Cup)	Grease Seal Location	Number
--------------------	---------------------	----------------------	-----------------------	---------------------	---------------------	-------------------------	--------

Clark Axle (continued)

4				BR593/ 592-A VP			
----------	--	--	--	--------------------	--	--	--

Coleman Axle Model Index

Model	Capacity	See	Line No.	Model	Capacity	See	Line No.
14000	14000 lbs.	1	SD17	17000 lbs.	2
9000	9000 lbs.	2	SD9	9000 lbs.	1
SD12	12000 lbs.	1				

Mfr Line Number	Scotseal® PlusXL	Scotseal® Classic	Scotseal® Longlife	Inner (Cone/Cup)	Outer (Cone/Cup)	Grease Seal Location	Number
--------------------	---------------------	----------------------	-----------------------	---------------------	---------------------	-------------------------	--------

Coleman

1						Inner - Navistar FA140	21336
2						Inner	18425

Correct Mfg. Co. - See Axle Mfr.

Crane Carrier - See Axle Mfr.

Crown Coach - See Axle Mfr.

Dana - See Spicer

Dart Truck Co. (Div. of Paccar) - See Axle Mfr.

Daybrook Ottawa - See Axle Mfr.

Diamond Reo - See Axle Mfr.

Diamond T - See Axle Mfr.

Dodge Axle Model Index

Model	Capacity	See	Line No.	Model	Capacity	See	Line No.
11000 lbs.	11000 lbs.	1	7000 lbs.	7000 lbs.	8
12000 lbs.	12000 lbs.	2	7500 lbs.	7500 lbs.	9
15000 lbs.	15000 lbs.	3	9000 lbs.	9000 lbs.	10
16000 lbs.	16000 lbs.	4	FA-40	4000 lbs.	5
4000 lbs.	4000 lbs.	5	FA-50	5000 lbs.	7
5000 lbs.	5000 lbs.	6	FA-55	5500 lbs.	7
5500 lbs.	5500 lbs.	7	FA-70	7000 lbs.	8

Mfr Line Number	Scotseal® PlusXL	Scotseal® Classic	Scotseal® Longlife	Inner (Cone/Cup)	Outer (Cone/Cup)	Grease Seal Location	Grease Seal Number
Dodge							
1	35058	35066 or 35072 ⁵	35103	HM212044 VP/ HM212011 VP	BR3782/ BR3720 ▲SET406	Inner	35062
2	35058	35066 or 35072 ⁵	35103	HM212047 VP/ HM212011 VP ▲SET412	BR3782/ BR3720 ▲SET406	Inner	35062
3		39380		BR6386/ BR6320		Inner	40036
4	43761	43764		6461-A VP/ BR6420 ▲SET423	555-S VP/ 552-A VP ▲SET424		
5				LM603049 VP/ LM603011 ▲BR37	BR15101/ BR15245	Inner	22835
6				BR25590/ BR25520	BR14116/ BR14276	Inner	22835
				From 1963 BR25590/ BR25520	BR14116/ BR14276	Inner	24459
7				BR25590/ BR25520	BR14116/ BR14276	Inner	24459
8		28820		BR45284/ BR45220 ▲SET410	BR2780/ BR2720	Inner	28828
	34971	34975		w/Anti-Skid BR45284/ BR45220 ▲SET410	BR2780/ BR2720	Inner	34980
9				BR47490/ BR47420			
10	35058	35066 or 35072 ⁵	35103	BR39581/ BR39520	BR3585/ BR3525	Inner	35062
	34971	34975		w/Anti-Skid BR39581/ BR39520	BR3585/ BR3525	Inner	34980

Duplex - See Axle Mfr.

Eagle - See Axle Mfr.

Eagle (Transit Bus) Axle Model Index

Model	Capacity	See	Line No.	Model	Capacity	See	Line No.
Bogie Axle			1	Front Axle			1

Mfr Line Number	Scotseal® PlusXL	Scotseal® Classic	Scotseal® Longlife	Inner (Cone/Cup)	Outer (Cone/Cup)	Grease Seal Location	Number
1							
.....	35058	35066	35103	HM212047 VP/ HM212011 VP ▲SET412	BR3782/ BR3720 ▲SET406		

Eaton Axle Model Index

Model	Capacity	See	Line No.	Model	Capacity	See	Line No.
79F			8	EFA24T2			3
82F			8	EFA24T5	22000 lbs.		2
E10001	10000 lbs.		1	EFA24T5			3
E20001	12000 lbs.		1	F3A			4
EAF18F3	18000 lbs.		2	F3D			4
EFA12F3	12000 lbs.		1	F4A			4
EFA12F4	12000 lbs.		1	F4D			4
EFA13F3	13200 lbs.		1	FE-10			5
EFA13F4	13200 lbs.		1	FE-10A			5
EFA13F5	12000 lbs.		1	FE-10A43			5
EFA18F3			3	FE-11			6
EFA20F4	20000 lbs.		3	FF			9
EFA22T2	20000 lbs.		2	FX-1			5
EFA22T2			3	FY-1			7
EFA22T5	20000 lbs.		2				
EFA22T5			3				
EFA24T2	22000 lbs.		2				

Mfr Line Number	Scotseal® PlusXL	Scotseal® Classic	Scotseal® Longlife	Inner (Cone/Cup)	Outer (Cone/Cup)	Grease Seal Location	Number
1							
.....	35058	35066 or 35072 ⁵	35103	HM212049 VP/ HM212011 VP ▲SET413	BR3782/ BR3720 ▲SET406		
2							
.....	43761	43764		6461-A VP/ BR6420 ▲SET423	555-S VP/ 552-A VP ▲SET424		
3							
w/o Air Over Hyd. Disc Brks...	43761	43764		6461-A VP/ BR6420 ▲SET423	555-S VP/ 552-A VP ▲SET424		
w/Air Over Hyd. Disc Brks. .	43761	43764		6461-A VP/ BR6420 ▲SET423	BR3979/ BR3920		
4							
.....					BR749/ BR742		
5							
.....				BR623/ BR612	BR525/ BR522		
6							
.....					BR527/ BR522		
7							
.....					BR527/ BR522		
8							
.....				BR6386/ BR6320			

Mfr Line Number	Scotseal® PlusXL	Scotseal® Classic	Scotseal® Longlife	Inner (Cone/Cup)	Outer (Cone/Cup)	Location	Grease Seal Number
--------------------	---------------------	----------------------	-----------------------	---------------------	---------------------	----------	-----------------------

Eaton (continued)

9				HM212011 VP/ HM212049 VP	BR3782/ BR3720 ▲SET406		
---	--	--	--	-----------------------------	------------------------------	--	--

FWD Axle Model Index

Model	Capacity	See	Line No.	Model	Capacity	See	Line No.
22			2	2SCB			1
22A			2	2SDC			1
22HD			2	32			1
2621			1	32A			1
2A			2	32R			1
2B			1	ND22			2
2C			1	ND-32			1
2SC			1	ND-32A			1

Mfr Line Number	Scotseal® PlusXL	Scotseal® Classic	Scotseal® Longlife	Inner (Cone/Cup)	Outer (Cone/Cup)	Location	Grease Seal Number
--------------------	---------------------	----------------------	-----------------------	---------------------	---------------------	----------	-----------------------

FWD

1				BR749/ BR742	BR47686/ BR47620 ▲SET411	Inner	49928
2				BR567/ BR563 ▲SET425	BR33275/ BR33462		

FWD Truck Axle Model Index

Model	Capacity	See	Line No.	Model	Capacity	See	Line No.
RS			1				

Mfr Line Number	Scotseal® PlusXL	Scotseal® Classic	Scotseal® Longlife	Inner (Cone/Cup)	Outer (Cone/Cup)	Location	Grease Seal Number
--------------------	---------------------	----------------------	-----------------------	---------------------	---------------------	----------	-----------------------

FWD Truck

1						Inner	17746
---	--	--	--	--	--	-------	-------

Fabco Axle Model Index

Model	Capacity	See	Line No.	Model	Capacity	See	Line No.
12000	12000 lbs.		1	SDA20	20000 lbs.		3
13000	13000 lbs.		2	SDA21	21000 lbs.		3
SDA12	12000 lbs.		1	SDA23	23000 lbs.		3
SDA16	16000 lbs.		1	SDA9	9000 lbs.		1
SDA18	18000 lbs.		1				

Mfr Line Number	Scotseal® PlusXL	Scotseal® Classic	Scotseal® Longlife	Inner (Cone/Cup)	Outer (Cone/Cup)	Grease Seal Location	Number
1		45162		HM218248 VP/ HM218210 VP ▲SET414	BR42687/ BR42620		
2					BR42687/ BR42620		
3						Inner	70016

Fargo - See Axle Mfr.

Federal Motors - See Axle Mfr.

Flex-True - See Axle Mfr.

Flexible - See Axle Mfr.

Flexible (Transit Bus) Axle Model Index

Model	Capacity	See	Line No.	Model	Capacity	See	Line No.
17101			1				

Mfr Line Number	Scotseal® PlusXL	Scotseal® Classic	Scotseal® Longlife	Inner (Cone/Cup)	Outer (Cone/Cup)	Grease Seal Location	Number
1	40091	40086		BR6389/ BR6320			

Ford Axle Model Index

Model	Capacity	See	Line No.	Model	Capacity	See	Line No.
1	5000 lbs.		1	5	12000 lbs.		13
10000 lbs.	10000 lbs.	*Before 3/92	20	5	7500 lbs.		22
10000 lbs.	10000 lbs.	*After 4/92	24	5000 lbs.	5000 lbs.		31
10800 lbs.	10800 lbs.	*Before 3/92	20	5500 lbs.	5500 lbs.		32
10800 lbs.	10800 lbs.	*After 4/92	24	5(Cargo)	9000 lbs.	*Exc. Disc thru 3/92 ..	20
12000			18	5(Cargo)	9000 lbs.	*w/Disc	23
13000 lbs.	13000 lbs.	*Before 3/92	20	5(Cargo)	9000 lbs.	*Exc Disc after 4/92 ..	24
13000 lbs.	13000 lbs.	*After 4/92	23	6	9500 lbs.		6
13100 lbs.	13100 lbs.	*Before 3/92	20	6	10800 lbs.		6
13100 lbs.	13100 lbs.	*After 4/92	23	6	4700 lbs.		8
14600 lbs.	14600 lbs.	*Before 4/92	20	6	12000 lbs.	Meritor FF903	
14600 lbs.	14600 lbs.	*After 4/92	23	6	12000 lbs.		13
16000			17	6000			4
18000			17	7	12000 lbs.	Meritor FF903	
2	5500 lbs.		1	7000			4
20000			17	7000 lbs. HYD	7000 lbs.		30
3	6000 lbs.		2	7500	7500 lbs.		25
3	12000 lbs.		4	7500 lbs. HYD	7500 lbs.		30
3	7500 lbs.		5	8	6000 lbs.		3
3	13100 lbs.		7	8	7500 lbs.		4
4	7000 lbs.		2	8	12000 lbs.		13
4	12000 lbs.		13	8000 lbs.	8000 lbs.		23
4	7500 lbs.		14	8000 (Cargo)		*Before 3/92	20
4	9000 lbs.		15	8000 (Cargo)		*After 4/92	23
5	9000 lbs.		10	9	8000 lbs.		9

Ford Axle Model Index (continued)

Model	Capacity	See	Line No.	Model	Capacity	See	Line No.
9	15000 lbs.		12	I	18000 lbs.		17
9000 lbs.		*1975 & up	23	I	20000 lbs.	Meritor FL901	
9000 (Cargo)		*Before 3/92	20	J	5000 lbs.		1
9000 (Cargo)		*After 4/92	24	J	4700 lbs.		8
9W	23000 lbs.	Eaton 22321		K	5500 lbs.		1
A	5000 lbs.		1	L	6000 lbs.		2
A	5500 lbs.		1	L	13100 lbs.		4
A	16000 lbs.	Meritor FL901		L	7500 lbs.		5
B	5000 lbs.		1	M	7000 lbs.		2
B	12000 lbs.	Meritor FF903		M	12000 lbs.		13
B	16000 lbs.	Meritor FH901		M	7500 lbs.		14
B	5500 lbs.	*Late 1968 & Up	26	M	9000 lbs.		14
C	5000 lbs.		1	N	9000 lbs.		10
C	6000 lbs.		2	N	12000 lbs.		13
C	13100 lbs.		4	N	7500 lbs.		25
C	12000 lbs.		13	N (Cargo)	9000 lbs.	*After 4-92	23
D	7000 lbs.		2	O	9500 lbs.		6
D	12000 lbs.		13	O	9000 lbs.	Meritor FD903	
D	7500 lbs.		14	O	9000 lbs.		10
D	9000 lbs.		15	O	12000 lbs.		13
D	6000 lbs.		27	P	12000 lbs.	Meritor FF903	
E	7500 lbs.	Meritor FC901		Q	12000 lbs.		13
E	9000 lbs.	Meritor FC901		R	13100 lbs.		7
E	9000 lbs.		10	R	15000 lbs.	Meritor FG901	
E	12000 lbs.		13	R	13000 lbs.		28
E	7000 lbs.		16	S	16000 lbs.	Meritor FH901	
E (1964-65)	6000 lbs.		26	S	20000 lbs.	Meritor FL901	
F	5500 lbs.		1	T	18000 lbs.	Meritor FL901	
F	9000 lbs.	Meritor FD903		TWIN I-BEAM	4850 lbs.		29
F	11000 lbs.	Meritor FE900		U	12000 lbs.		13
F	11000 lbs.	Meritor FE970		U	20000 lbs.	Meritor FL901	
F	12000 lbs.		13	U (1964)	6000 lbs.		26
F	16000 lbs.	Meritor FH901		V	5500 lbs.		1
F	7500 lbs.		19	V	6000 lbs.		3
F	18000 lbs.	Meritor FH901		V	7500 lbs.		4
F (Cargo)			23	V	12000 lbs.		13
G	12000 lbs.	Meritor FF903		W	6000 lbs.		2
G	7000 lbs.		11	W	8000 lbs.		9
G	11000 lbs.	Meritor FE900		W	12000 lbs.		13
G	11000 lbs.	Meritor FE970		X	7000 lbs.		2
G	12000 lbs.		13	X	12000 lbs.		13
G	7500 lbs.		14	Y	5000 lbs.		1
G	9000 lbs.		15	Z	15000 lbs.		12
H	12000 lbs.	Meritor FF903		Z	12000 lbs.		13
H	12000 lbs.		12				
H	15000 lbs.	Meritor FG903					
H (82-88)	12000 lbs.		21				
I	12000 lbs.		6				

Mfr Line Number	Scotseal® PlusXL	Scotseal® Classic	Scotseal® Longlife	Inner (Cone/Cup)	Outer (Cone/Cup)	Grease Seal Location	Grease Seal Number
Ford							
1							
From Ser. F90001 w/1.375" Outer Cone I.D.		27438		BR3778/ BR3720	BR25877/ BR25820	Inner	27430
From Ser. F90001 w/1.437" Outer Cone I.D.		27438		BR3778/ BR3720	BR25880/ BR25820	Inner	27430
Thru Ser. F90000				BR25590/ BR25520	LM67048 VP/ LM67010 VP ▲ BR6 VP	Inner	22483
2							
From Ser. W40001 w/Air Brks.	34971	34975		BR45284/ BR45220 ▲ SET410	BR3585/ BR3525	Inner	34980

For in-text symbols, see page 5A.

Mfr Line Number	Scotseal® PlusXL	Scotseal® Classic	Scotseal® Longlife	Inner (Cone/Cup)	Outer (Cone/Cup)	Grease Seal Location	Number
Ford (continued)							
Thru Ser. W40000 w/Hyd. Brks.		28832		BR45284/ BR45220 ▲SET410	BR25877/ BR25820	Inner	28830
3		28832		BR45284/ BR45220 ▲SET410	BR25880/ BR25820	Inner	28830
4	34971	34975		BR39581/ BR39520 BR45284/ BR45220 ▲SET410	BR3585/ BR3525	Inner	34980
5 4.557" Seal O.D.	34971	34975		BR39581/ BR39520	BR3585/ BR3525	Inner	34980
4.847" Seal O.D.	35058	35066 or 35072 ⁵	35103	BR39581/ BR39520	BR3585/ BR3525	Inner	35062
6	35058	35066 or 35072 ⁵	35103	HM212047 VP/ HM212011 VP ▲SET412	BR3782/ BR3720 ▲SET406	Inner	35062
7 Exc. Dayton Whls. w/10 Stud Disc Whls.	35058	35066 or 35072 ⁵	35103	HM212047 VP/ HM212011 VP ▲SET412	BR3782/ BR3720 ▲SET406	Inner	35062
Exc. Gunite w/15" x 4" Brks w/20" Spoke Whls.	35058	35066 or 35072 ⁵	35103	HM212047 VP/ HM212011 VP ▲SET412	BR3782/ BR3720 ▲SET406	Inner	35062
Dayton 15" x 4" Brks. w/10 Stud Whls.	35058	35066 or 35072 ⁵	35103		BR3782/ BR3720 ▲SET406	Inner	35062
Gunite 15" x 4" Brks. w/10 Stud Disc Whls.	35058	35066 or 35072 ⁵	35103		BR3782/ BR3720 ▲SET406	Inner	35062
8				BR25590/ BR25520	14125-A/ BR14274	Inner	22483
9 Exc. Air Brks., Hyd. Brks., Cargo Brks., w/20" Spoke Whls.	34971	34975		BR39581/ BR39520	BR3585/ BR3525		
w/o Gunite 15" X 4" Brks & 20" Spoke Whls.	34971	34975		BR39581/ BR39520	BR3585/ BR3525		
Air Brks.	34971	34975		BR39581/ BR39520	BR3585/ BR3525	Inner	34980
w/o Gunite 15" X 4" Brks & 20" Spoke Whls.						Inner	34980
Hyd. Brks.	35058	35066 or 35072 ⁵	35103	BR39581/ BR39520	BR3585/ BR3525	Inner	34980
15" X 4" Cargo Brks.				HM212047 VP/ HM212011 VP ▲SET412			

Mfr Line Number	Scotseal® PlusXL	Scotseal® Classic	Scotseal® Longlife	Inner (Cone/Cup)	Outer (Cone/Cup)	Grease Seal Location	Number
Ford (continued)							
10 w/o Air Brks., Hyd. Brks. & Cargo Brks.	35058	35066	35103	BR39581/ BR39520	BR3585/ BR3525	Inner	35062
4.557" Seal O.D. w/Air Brks...	34971	34975		BR39581/ BR39520	BR3585/ BR3525	Inner	34980
4.854" Seal O.D. w/Hyd. Brks	35058	35066 or 35072 ⁵	35103	BR39581/ BR39520	BR3585/ BR3525	Inner	34980
15" X 4" Cargo Brks.				HM212047 VP/ HM212011 VP ▲SET412			
11		28820		BR45284/ BR45220 ▲SET410	BR25880/ BR25820	Inner	28828
12		39380		BR6389/ BR6320		Inner	40036
13 w/o C.P.S.	35058	35066 or 35072 ⁵	35103	HM212047 VP/ HM212011 VP ▲SET412	BR3782/ BR3720 ▲SET406	Inner	35062
w/C.P.S.		48796		756-A/ BR752	HM212047 VP/ HM212011 VP ▲SET412	Inner	48886
14		28820		BR45284/ BR45220 ▲SET410	BR25880/ BR25820	Inner	28828
15		28820		BR45284/ BR45220 ▲SET410	BR25880/ BR25820	Inner	28828
16 2.875" Shaft		28820		BR45284/ BR45220 ▲SET410	BR2780/ BR2720		
3.500" Shaft	35058	35066	35103	BR39581/ BR39520	BR3525/ BR3585		
17 3.438" Outer Cup O. D.	43761	43764		6461-A VP/ BR6420 ▲SET423	555-S VP/ 552-A VP ▲SET424		
4.875" Outer Cup O. D.	43761	43764		6461-A VP/ BR6420 ▲SET423	BR3979/ BR3920		
18	35058	35066	35103	HM212044 VP/ HM212011 VP	BR3782/ BR3720 ▲SET406		
19				BR39590/ BR39520 ▲SET408	BR3872/ BR382	Inner	36186
20	35058	35066	35103	HM212047 VP/ HM212011 VP	BR3782/ BR3720	Inner	34885

Mfr Line Number	Scotseal® PlusXL	Scotseal® Classic	Scotseal® Longlife	Inner (Cone/Cup)	Outer (Cone/Cup)	Grease Seal Location	Number
Ford (continued)							
21	43761	43764		▲SET412 6461-A VP/ BR6420 ▲SET423	▲SET406 555-S VP/ 552-A VP ▲SET424		
22		28832		BR45284/ BR45220 ▲SET410	BR25877/ BR25820		
23	34971	34975		BR39581/ BR39520	BR3585/ BR3525		
24	35058	35066	35103	HM212049 VP/ HM212011 VP ▲SET413	BR3782/ BR3720 ▲SET406	Inner	34885
25	34971	34975		BR39581/ BR39520	BR3585/ BR3525		
w/2.875 Shoulder		28832		BR45284/ BR45220 ▲SET410	BR2780/ BR2720		
w/3.500 Shoulder	35058	35066	35103	BR45284/ BR45220 ▲SET410	BR25880/ BR25820		
26				BR3778/ BR3720			
27				BR45284/ BR45220 ▲SET410	BR25880/ BR3525		
28	35058	35066	35103	HM212047 VP/ HM212011 VP ▲SET412	BR3782/ BR3720 ▲SET406		
To 4/92	35058	35066	35103	HM212049 VP/ HM212011 VP ▲SET413	BR3782/ BR3720 ▲SET406		
From 4/92	35058	35066	35103				
29				LM102949 VP/ LM102910 VP ▲BR50	BR15101/ BR15245		
30					BR45284/ BR45220 ▲SET410		
31				BR25590/ BR25520	BR25877/ BR25820		
32				BR3778/ BR3720	BR25877/ BR25820		

**A
P
P
L
I
C
A
T
I
O
N
S**

**T
R
A
I
L
E
R
,
T
A
G
&
P
U
S
H
E
R
A
X
L
E
S**

**F
R
O
N
T
A
X
L
E
S**

**D
R
I
V
E
A
X
L
E
S**

**M
E
D
I
U
M
T
R
U
C
K**

Ford (School Bus) Axle Model Index

Model	Capacity	See	Line No.	Model	Capacity	See	Line No.
1 (1970/76 & 1978)			1	F (1957/64)			3
2 (1970)			1	G			5
3 (1970/78)			2	J (1970/76, 1980)			1
4 (1970)			3	K (1970)			1
4 (1970/74)			2	L (1969)			1
5 (1970)			3	L (1970)			2
5 (1970/74)			2	M (1970)			3
7 (After 4/92)			4	M (1970-74)			2
7 (Before 3/92)			5	N (1973)			3
8 (1982)			2	N (1973)			6
A (1978)			1	O (1978)			3
B (1964)			5	P			5
B (1968)			1	U (Thru 1964)			1
C (1978)			2	V (1978)			1
C (Thru 1969)			1	V (1982)			2
D (1977)			3	W (1978)			2
D (1978)			2	X (1978)			3
E (1964/65)			1	Y (1978)			1
E (1965/69)			3				
E (1977)			3				
E (1977)			6				

Mfr Line Number	Scotseal® PlusXL	Scotseal® Classic	Scotseal® Longlife	Inner (Cone/Cup)	Outer (Cone/Cup)	Grease Seal Location	Number
--------------------	---------------------	----------------------	-----------------------	---------------------	---------------------	-------------------------	--------

Ford (School Bus)

1				BR3778/ BR3720			
2				BR45284/ BR45220 ▲SET410	BR25880/ BR25820		
3	34971	34975		BR39581/ BR39520	BR3585/ BR3525		
4	35058	35066	35103	HM212049 VP/ HM212011 VP ▲SET413	BR3782/ BR3720 ▲SET406		
5	35058	35066	35103	HM212047 VP/ HM212011 VP ▲SET412	BR3782/ BR3720 ▲SET406		
6	34971	34975		BR45284/ BR45220 ▲SET410	BR25880/ BR25820		

Freightliner - See Axle Mfr.

GMC Axle Model Index

Model	Capacity	See	Line No.	Model	Capacity	See	Line No.
585F			12	F110	11000 lbs.		8
586F			12	F120	12000 lbs.		8
F040	4000 lbs.		3	F120D	12000 lbs.		8
F045	4500 lbs.		4	F150	15000 lbs.		9
F047	4700 lbs.		4	F160	16000 lbs.		9
F050	5000 lbs.		5	F460		Meritor F460	
F055	5500 lbs.		5	F462		Meritor F462	
F070	7000 lbs.		6	F464		Meritor F464	
F070D	7000 lbs.		6	F466		Meritor F466	
F090	9000 lbs.		7	FD070	7000 lbs.		1

For in-text symbols, see page 5A.

GMC Axle Model Index (continued)

Model	Capacity	See	Line No.	Model	Capacity	See	Line No.
FD931	9000 lbs.		18	FL931	16000 lbs.	Meritor FL931	
FE900	11000 lbs.	Meritor FE900		FL941	18000 lbs.	Meritor FL941	
FE921	11000 lbs.		17	FS110			19
FE970	11000 lbs.	Meritor FE970		FS7 (AIR)	12000 lbs.		28
FF901	16000 lbs.		17	FS7 (HYDRAULIC)	12000 lbs.		27
FF921	12000 lbs.		17	IFS030	3000 lbs.		10
FF931	12000 lbs.	Meritor FF931		IFS035	3500 lbs.		10
FF932	13200 lbs.	Meritor FF932		IFS050	5000 lbs.		11
FF933	12000 lbs.	Meritor FF933		IFS055	5500 lbs.		11
FF941	12000 lbs.	Meritor FF941		IFS070	7000 lbs.		6
FF971	12000 lbs.	Meritor FF971		IFS090	9000 lbs.		7
FG943	13200 lbs.		24	IFS110		*IFS110	
FH0	14000 lbs.		21	RTS11	9000 lbs.		9
FH033			27	SD12	12000 lbs.	Coleman SD12	
FH070	7000 lbs.		16	SD9	9000 lbs.	Coleman SD9	
FH4	16000 lbs.		25	W4, W4L			29
FHD065	6500 lbs.		2	W6			23
FHD070	7000 lbs.		1	W7			20
FL1	8000 lbs.		22	W7M			15
FL2	11000 lbs.		13				
FL2	11000 lbs.		27				
FL3	14500 lbs.		21				
FL4	16000 lbs.		14				
FL901	16000 lbs.	Meritor FL901					

Mfr Line Number	Scotseal® PlusXL	Scotseal® Classic	Scotseal® Longlife	Inner (Cone/Cup)	Outer (Cone/Cup)	Grease Seal Location	Number
--------------------	---------------------	----------------------	-----------------------	---------------------	---------------------	-------------------------	--------

GMC

1				BR36690/ BR36620	BR36690/ BR36620	Axle Shaft Seal Kit	18550
2				BR566/ BR563	BR33269/ BR33462	Axle Shaft Inner	16650 25075
3				BR2777/ BR2720	M12649 VP/ M12610 VP ▲ BR3	Inner	21771
				BR25582/ BR25520	M12649 VP/ M12610 VP ▲ BR3		
4				3578-A/ BR3525	15103-S VP/ BR15243 ▲ BR100	Inner	25028
				BR25583/ BR25519	15103-S VP/ BR15243 ▲ BR100	Inner	24920
				BR3578/ BR3525		Inner	25597
5				3578-A/ BR3525	15103-S VP/ BR15243 ▲ BR100	Inner - 2.500" Shaft Inner - 3.125" Shaft	25028 31203
6		31175		BR45284/ BR45220 ▲ SET410	BR2796/ BR2720	Inner	31203
					BR2793/ BR2720	Inner	31158

Mfr Line Number	Scotseal® PlusXL	Scotseal® Classic	Scotseal® Longlife	Inner (Cone/Cup)	Outer (Cone/Cup)	Grease Seal Location	Number
GMC (continued)							
Thru 1959 w/P35						Inner	31158
7 From 1960		32470		BR39581/ BR39520	BR26878/ BR26820	Inner Exc. IFS90	32477
Thru 1959 w/Chev. Axle ...	35058	35066 or 35072 ⁵	35103	BR39581/ BR39520	BR26878/ BR26820	Inner - IFS90	32510
Thru 1959 w/GMC Axle		32470				Inner	32540
8 From 1985		36358		HM212047 VP/ HM212011 VP ▲SET412	BR45282/ BR45220		
From 1966 Thru 1984		36285		HM212047 VP/ HM212011 VP ▲SET412	BR45282/ BR45220		
Thru 1965		36285		HM212047 VP/ HM212011 VP ▲SET412	BR3779/ BR3720		
9		40040		6386-A/ BR6320		Inner	40036
10 From 1963				BR2777/ BR2720	M12649 VP/ M12610 VP ▲BR3	Inner	21771
From 1960 Thru 1962 Exc. P35				B48 B44	B47 B47	Inner	20965
From 1960 Thru 1962 w/P35..						Inner - 2.063"	
Thru 1959				B44	B47	Shaft	20669
						Inner - 2.063"	
						Shaft	20669
11				BR25582/ BR25519	15103-S VP/ BR15243 ▲BR100	Inner	24920
12		32470				Inner	32540
13	29400			33212-X	BR33208		
14	43761	43764		6461-A VP/ BR6420 ▲SET423	555-S VP/ 552-A VP ▲SET424		
15				HM212047 VP/ HM212011 VP ▲SET412			
16		31175		BR45284/ BR45220 ▲SET410	BR2796/ BR2720		
17	35058	35066 or 35072 ⁵	35103	HM212047 VP/ HM212011 VP ▲SET412	BR3782/ BR3720 ▲SET406		
18	34971	34975		BR39581/	BR3585/		

For in-text symbols, see page 5A.

Mfr Line Number	Scotseal® PlusXL	Scotseal® Classic	Scotseal® Longlife	Inner (Cone/Cup)	Outer (Cone/Cup)	Grease Seal Location	Number
GMC (continued)							
19				BR39520	BR3525		
.....		36285		HM212047 VP/ HM212011 VP ▲SET412	BR3779/ BR3720		
20				HM212047 VP/ HM212011 VP ▲SET412			
21				JF7049A/ JF7010	JM205149 VP/ JM205110 VP		
22				JM205149 VP/ JM205110 VP	BR32207		
23					BR44	Inner	28325
24	35058	35066	35103	HM212049 VP/ HM212011 VP ▲SET413	BR3782/ BR3720 ▲SET406		
25	43761	43764		6461-A VP/ BR6420 ▲SET423	555-S VP/ 552-A VP ▲SET424		
26		36285		HM212047 VP/ HM212011 VP ▲SET412	BR45282/ BR45220		
27	29400			33212-X	BR33208		
28				JF7049A/ JF7010	JM205110 VP/ JM205149 VP		
29				BR32210	BR32207	Inner	28325

GMC (Transit Bus) Axle Model Index

Model	Capacity	See	Line No.	Model	Capacity	See	Line No.
68853	1				

Mfr Line Number	Scotseal® PlusXL	Scotseal® Classic	Scotseal® Longlife	Inner (Cone/Cup)	Outer (Cone/Cup)	Grease Seal Location	Number
GMC (Transit Bus)							
1				BR5760/ BR5735	BR39590/ BR39520 ▲SET408		

GMC Truck Axle Model Index

Model	Capacity	See	Line No.	Model	Capacity	See	Line No.
40 Series			3	FL1			6
4100 Series			4	FL2			7
4400 Series			4	FS7 (Hyd.)			7
4500 Series			4	Transmode			1
6700 Series			5	W4			2
FH033			7				

Mfr Line Number	Scotseal® PlusXL	Scotseal® Classic	Scotseal® Longlife	Inner (Cone/Cup)	Outer (Cone/Cup)	Grease Seal Location	Grease Seal Number
-----------------	------------------	-------------------	--------------------	------------------	------------------	----------------------	--------------------

GMC Truck

1				BR23		Outer 24888 Inner 25515	
2				BR32210	BR32207	Inner 28325	
3				B48	B47	Inner 20965	
4				B44	B45	Inner - 2.063" Shaft 20669	
5					15103-S VP/ BR15243 ▲BR100	Inner 19938	
6	23590			JM205149 VP/ JM205110 VP	BR32207		
7	29400				BR32208		

GMC/Chev (School Bus) Axle Model Index

Model	Capacity	See	Line No.	Model	Capacity	See	Line No.
F070			1	F120 (1985 & UP)			3
F070D			1	F120D (1985 & UP)			3
F090 (1982-85)			3	F120D (Thru 1984)			3
F090 (1985 & UP)			3	F120 (Thru 1984)			3
F090 (Thru 1982)			2	FE900			4
F110 (1985 & UP)			3	FE900 (1960 & UP)			5
F110 (Thru 1984)			3	FF932			6

Mfr Line Number	Scotseal® PlusXL	Scotseal® Classic	Scotseal® Longlife	Inner (Cone/Cup)	Outer (Cone/Cup)	Grease Seal Location	Grease Seal Number
-----------------	------------------	-------------------	--------------------	------------------	------------------	----------------------	--------------------

GMC/Chev (School Bus)

1				BR45284/ BR45220 ▲SET410			
2		32470		BR39581/ BR39520	BR26878/ BR26820		
3		36285		HM212047 VP/ HM212011 VP ▲SET412	BR45282/ BR45220		
4	35058	35066	35103	557-A/ 553-X	BR3782/ BR3720 ▲SET406		

For in-text symbols, see page 5A.

Mfr Line Number	Scotseal® PlusXL	Scotseal® Classic	Scotseal® Longlife	Inner (Cone/Cup)	Outer (Cone/Cup)	Grease Seal Location	Number
--------------------	---------------------	----------------------	-----------------------	---------------------	---------------------	-------------------------	--------

GMC/Chev (School Bus) (continued)

5	35058	35066	35103	HM212044 VP/ HM212011 VP	BR3782/ BR3720 ▲SET406		
6	35058	35066	35103	HM212049 VP/ HM212011 VP ▲SET413	BR3782/ BR3720 ▲SET406		

Harnischfeger - See Axle Mfr.

Hayes - See Axle Mfr.

Hendrickson - See Axle Mfr.

Hino Axle Model Index

Model	Capacity	See	Line No.	Model	Capacity	See	Line No.
FA141S			1	FF192S			2
FA142S			1	FF193S			2
FA143S			1	FF194S			2
FB142S			1	FF195S			2
FB143S			1	FF197S			2
FB144S			1	FF198S			2
FE177S			2	FG223S			2
FE194S			2	FG225S			2
FE195S			2				

Mfr Line Number	Scotseal® PlusXL	Scotseal® Classic	Scotseal® Longlife	Inner (Cone/Cup)	Outer (Cone/Cup)	Grease Seal Location	Number
--------------------	---------------------	----------------------	-----------------------	---------------------	---------------------	-------------------------	--------

Hino

1				BR32210	BR32207	Inner	33070
2						Inner	54330

Ibex - See Axle Mfr.

IHC - See Navistar

Ikarus-Crown (Transit Bus) Axle Model Index

Model	Capacity	See	Line No.	Model	Capacity	See	Line No.
A			1	C			1

Mfr Line Number	Scotseal® PlusXL	Scotseal® Classic	Scotseal® Longlife	Inner (Cone/Cup)	Outer (Cone/Cup)	Grease Seal Location	Number
--------------------	---------------------	----------------------	-----------------------	---------------------	---------------------	-------------------------	--------

Ikarus-Crown (Transit Bus)

1							
.....	43761	43764		6461-A VP/ BR6420 ▲ SET423			

Isuzu Axle Model Index

Model	Capacity	See	Line No.	Model	Capacity	See	Line No.
FRR			3	NPR			2
FSR			4	NPR-HD			6
FTR			1	NQR	18000 lbs.		6
FTR			5	NRR			3
FVR			5				

Mfr Line Number	Scotseal® PlusXL	Scotseal® Classic	Scotseal® Longlife	Inner (Cone/Cup)	Outer (Cone/Cup)	Grease Seal Location	Number
--------------------	---------------------	----------------------	-----------------------	---------------------	---------------------	-------------------------	--------

Isuzu

1							
Air Over Hydraulic Disc Brakes from 9/86 thru 6/98						Inner	33460
2							
Disc Brks.						Inner	28325
Exc. Disc Brks.				BR32210	BR32207	Inner	28325
3							
.....					BR44	Inner	29650
4							
.....	23590			JM205149 VP/ JM205110 VP	BR32207		
5							
.....	29400				BR32208		
6							
.....				BR32210	BR32207	Inner	28325

Iveco Axle Model Index

Model	Capacity	See	Line No.	Model	Capacity	See	Line No.
10-14			1	335T			2
110			1	340T			2
120TA			1	435T			2
12-11			1	450T			2
12-12			1	Z100			1
12-14			1	Z110			1
1514			1	Z120			1
1514AS			1	Z120TA			1
1814			1	Z220			1
1816			1	Z220T			1
220			1	Z230			1
220T			1	Z230T			1
230T			1	Z340T			1
23-16			3	Z450T			1

Mfr Line Number	Scotseal® PlusXL	Scotseal® Classic	Scotseal® Longlife	Inner (Cone/Cup)	Outer (Cone/Cup)	Grease Seal Location	Number
1						Inner	29540
						Outer	37025
2 Disc Brks. Drum Brks.						Inner	29540
						Inner	29540
3						Inner	29540

Kenworth - See Axle Mfr.

Mack Axle Model Index

Model	Capacity	See	Line No.	Model	Capacity	See	Line No.
A20			23	FA44B			2
A20H			23	FA45			2
A30			24	FA45A			2
A30H			24	FA45B			2
A40			25	FA46			8
A40H			25	FA500			2
A40T			25	FA501			2
A40X			25	FA505	8000 lbs.		2
A50			25	FA5051	8000 lbs.		11
A50H			25	FA507	9500 lbs.		3
A50S			26	FA5071	9500 lbs.		3
A50T			25	FA508			3
A51H			25	FA509			4
A51S			26	FA510			4
A51T			25	FA511	8000 lbs.		2
A54			25	FA5111	8000 lbs.		2
A54T			25	FA512	9500 lbs.		3
B20P			23	FA513			4
B30P			24	FA5131			4
B30T			24	FA514	9500 lbs.		3
B30X			24	FA5141	9500 lbs.		3
B42			26	FA517	9500 lbs.		3
B42P			26	FA518			12
B42S			26	FA519			4
B42ST			26	FA522	11000 lbs.		4
B42SX			27	FA5221	11000 lbs.		4
B42T			26	FA523			4
B42X			26	FA5231			4
B50T			26	FA5231	11000 lbs.		4
B60LT			27	FA532	12000 lbs.		4
B60X			27	FA5321	12000 lbs.		4
D30P			25	FA534	9000 lbs.		2
FA-1000			29	FA5341	9000 lbs.		2
FA-1001			29	FA-534C-W	9000 lbs.		22
FA-1002			29	FA534W	9000 lbs.		11
FA-1003			29	FA535	10500 lbs.		3
FA-18	18000 lbs.		20	FA5351	10500 lbs.		3
FA20	20000 lbs.		15	FA535C	10500 lbs.		3
FA24			8	FA-535C-W	10500 lbs.		11
FA25			9	FA535N			18
FA25A			9	FA535W	10500 lbs.		3
FA26			21	FA536	10500 lbs.		1
FA28			2	FA537	12000 lbs.		1
FA300			10	FA5371	12000 lbs.		1
FA301			10	FA-537C-W-D	12000 lbs.		16
FA36			2	FA56			8
FA37			2	FA561			4
FA400			2	FA562			8
FA405			2	FA57			4
FA408			2	FA571			4
FA44			2	FA600	16000 lbs.		13
FA44A			2	FA6000	16000 lbs.		13

TRAILER, TAG & PUSH AXLES

FRONT AXLES

DRIVE AXLES

MEDIUM TRUCK

Mack Axle Model Index (continued)

Model	Capacity	See	Line No.	Model	Capacity	See	Line No.
FA6001	16000 lbs.		13	FAW143	14300 lbs.		16
FA600C	16000 lbs.		13	FAW-14.3	14300 lbs.		16
FA601	16000 lbs.		13	FAW14.3	14300 lbs.		19
FA6011	16000 lbs.		13	FAW18	18000 lbs.		15
FA601C	16000 lbs.		13	FAW20	20000 lbs.		15
FA604	18000 lbs.		7	FAW535	10500 lbs.		3
FA6041	18000 lbs.		7	FAW535C			18
FA6042	18000 lbs.		7	FAW536	10500 lbs.		1
FA6043	18000 lbs.		7	FAW5361	12000 lbs.		1
FA6044	18000 lbs.		7	FAW5361C	12000 lbs.		1
FA612	20000 lbs.		13	FAW536C	10500 lbs.		1
FA614			7	FAW536C-W-D	10500 lbs.		19
FA616	18000 lbs.		7	FAW536D	10500 lbs.		1
FA616D	18000 lbs.		7	FAW536W	10500 lbs.		1
FA617	20000 lbs.		7	FAW537	12000 lbs.		1
FA617C	20000 lbs.		7	FAW5371	12000 lbs.		1
FA617D	20000 lbs.		7	FAW5371C	12000 lbs.		1
FA619			7	FAW537C	12000 lbs.		1
FA700	20000 lbs.		14	FAW-537C-D	12000 lbs.		19
FA701	20000 lbs.		14	FAW537C-W-D	12000 lbs.		1
FA702	20000 lbs.		14	FAW537D	12000 lbs.		1
FA-704			30	FAW537W	12000 lbs.		1
FA-900			31	FAW538			1
FA-901			31	FAW538C			1
FAD-605			32	FAW-6044			35
FAFW5370			1	FAW612			7
FAFW537C	12000 lbs.		1	FAW612C			7
FAFW537C-D	12000 lbs.		19	FAW616	18000 lbs.		7
FAFW539	12000 lbs.		1	FAW616D	18000 lbs.		7
FAL5051	8000 lbs.		2	FAW617	20000 lbs.		7
FAL5071	9500 lbs.		3	FAW617C	20000 lbs.		7
FAL522	11000 lbs.		4	FAW617C-D	20000 lbs.		20
FAL5221	11000 lbs.		5	FAW617D	20000 lbs.		7
FAL523			4	FAW618	18000 lbs.		7
FAL532	12000 lbs.		4	FAW619	20000 lbs.		7
FAL5321	12000 lbs.		6	FAW619W	20000 lbs.		7
FAL535	10500 lbs.		3	FAWL-12	12000 lbs.		16
FAN5071	9500 lbs.		3	H633LT			27
FAN534	9000 lbs.		2	H633ST			27
FAN5341	9000 lbs.		2	H633T			27
FAN535	10500 lbs.		3	H63ST			27
FAN5351	10500 lbs.		3	H63T			26
FAN537C-D	12000 lbs.		19	LJ			28
FAN537C-W-D	12000 lbs.		19	LJT			28
FANL535	10500 lbs.		3	LJX			28
FANL5351			3				
FAR12	12000 lbs.		16				
FAR95	9500 lbs.		17				
FAR-9.5	9500 lbs.		19				
FAS-491			33				
FAS-605			34				
FAS-6051			34				
FAW-10.5	10500 lbs.		16				
FAW-12	12000 lbs.		16				

Mfr Line Number	Scotseal® PlusXL	Scotseal® Classic	Scotseal® Longlife	Inner (Cone/Cup)	Outer (Cone/Cup)	Grease Seal Location	Number
-----------------	------------------	-------------------	--------------------	------------------	------------------	----------------------	--------

Mack

1	39979* w/456301	39988* w/455031		HM212049 VP/ HM212011 VP ▲SET413	BR45280/ BR45220 ▲SET409		
2		31244				Inner	31269
3	From 1963 w/4.330" Inner Brg. O.D.	36365		BR3982/	BR3877/	Inner	36364

For in-text symbols, see page 5A.

Mfr Line Number	Scotseal® PlusXL	Scotseal® Classic	Scotseal® Longlife	Inner (Cone/Cup)	Outer (Cone/Cup)	Grease Seal Location	Number
Mack (continued)							
From 1963 w/ 4.813" Inner Brg. O.D.		36365		BR3920	BR3820		
Thru 1962		36365		BR559/ 552-A VP 555-S VP/ 552-A VP ▲SET424		Inner	36364
4 From 1969	39979 [†] w/456301	39988 [†] w/455031		BR641/ BR633			
From 1964 Thru 1968	39979 [†] w/456301	39988 [†] w/455031		HM212049 VP/ HM212011 VP ▲SET413	BR45280/ BR45220 ▲SET409		
Thru 1963	39979 [†] w/456301 39979	39988		BR639/ BR633		Inner	39975
5	39979 [†] w/456301	39988 [†] w/455031		BR641/ BR633			
6	39979 [†] w/456301	39988 [†] w/455031		BR641/ BR633	BR45280/ BR45220 ▲SET409		
7 4.330" Outer Brg. O.D.	43761	43764		6461-A VP/ BR6420 ▲SET423	BR3979/ BR3920		
4.813" Outer Brg. O.D.	43761	43764		6461-A VP/ BR6420 ▲SET423	555-S VP/ 552-A VP ▲SET424		
8		36365		555-S VP/ 552-A VP ▲SET424		Inner	36364
9					BR527/ BR522	Inner	39975
10					BR2790/ BR2720	Inner	28760
11 From 6/1971 w/2.50" Inner Brg I.D.				BR39585/ BR39520	BR25572/ BR25520 BR25572/ BR25520		
From 1969 Thru 5/1971							
Thru 1968		31244				Inner	31269
12				BR639/ BR633		Inner	39975
13 From 1969		43800		BR5760/ BR5735 BR6461/ BR6420	BR45287/ BR45220 BR621/ BR612		
Thru 1968		43800					
14 Exc. Cast Whls.		43800			BR621/		

Mfr Line Number	Scotseal® PlusXL	Scotseal® Classic	Scotseal® Longlife	Inner (Cone/Cup)	Outer (Cone/Cup)	Grease Seal Location	Number
Mack (continued)							
Cast Whls.		43800			BR612		
15	43761	43764		6461-A VP/ BR6420 ▲SET423	555-S VP/ 552-A VP ▲SET424		
16		38709* w/455031		HM212049 VP/ HM212011 VP ▲SET413	BR45280/ BR45220 ▲SET409		
17 3.375" Outer Cup O.D.		36358		BR3982/ BR3920	BR3877/ BR3820		
4.000" Outer Cup O.D.		36358		BR559/ 552-A VP			
18		36365		BR3982/ BR3920	BR3877/ BR3820		
19 3.875" Axle Ring O.D.	39979* w/456301	39988* w/456301		HM212049 VP/ HM212011 VP ▲SET413 HM212049 VP/ HM212011 VP ▲SET413	BR45280/ BR45220 ▲SET409 BR45280/ BR25572		
20 Air Over Hyd. Disc Brks. ...	43761	43764		6461-A VP/ BR6420 ▲SET423	BR3979/ BR3920		
Exc. Air Over Hyd. Disc Brks..					555-S VP/ 552-A VP ▲SET424		
21					BR621/ BR612		
22		31244					
23						Inner	27280
24						Inner	28760
25						Inner	31269
26						Inner - 4.506" Seal O.D.	31269
						Inner - 5.004" Seal O.D.	36363
27						Inner - 4.506" Seal O.D.	31269
						Inner - 5.004" Seal O.D.	36363
						Inner - 5.131" Seal O.D.	39975

Mfr Line Number	Scotseal® PlusXL	Scotseal® Classic	Scotseal® Longlife	Inner (Cone/Cup)	Outer (Cone/Cup)	Grease Seal Location	Grease Seal Number
Mack (continued)							
28						Inner - 5.506" Seal O.D.	40049
29						Inner - 5.004" Seal O.D. Inner - 5.131" Seal O.D.	36363 39975
30					BR6580/ BR6535		
31				BR665/ BR653			
32					BR749/ BR742		
33				BR71450/ BR71750	BR52400/ BR52637		
34				BR5760/ BR5735			
35	43761	43764		6461-A VP/ BR6420 ▲SET423	555-S VP/ 552-A VP ▲SET424		

Mack Midliner Axle Model Index

Model	Capacity	See	Line No.	Model	Capacity	See	Line No.
MS200			1	MS300			2
MS250			2				

Mfr Line Number	Scotseal® PlusXL	Scotseal® Classic	Scotseal® Longlife	Inner (Cone/Cup)	Outer (Cone/Cup)	Grease Seal Location	Grease Seal Number
Mack Midliner							
1				BR33211	BR32208	Inner	37015
2				BR33211	BR32208	Inner	37015
					BR33210		

Magirus Axle Model Index

Model	Capacity	See	Line No.	Model	Capacity	See	Line No.
13000 lbs.			1				

Mfr Line Number	Scotseal® PlusXL	Scotseal® Classic	Scotseal® Longlife	Inner (Cone/Cup)	Outer (Cone/Cup)	Grease Seal Location	Grease Seal Number
Magirus Axle							
1	46300	46305	46308	JM719149/ JM719113			

For in-text symbols, see page 5A.

Magirus Truck Axle Model Index

Model	Capacity	See	Line No.	Model	Capacity	See	Line No.
160A11FL			1	200A13FL			1
160A13FL			1	200A13FS			1

Mfr Line Number	Scotseal® PlusXL	Scotseal® Classic	Scotseal® Longlife	Inner (Cone/Cup)	Outer (Cone/Cup)	Grease Seal Location	Number
--------------------	---------------------	----------------------	-----------------------	---------------------	---------------------	-------------------------	--------

Magirus Truck

1				BR32211	BR32208		37015
---------	--	--	--	---------	---------	--	-------

Magirus Deutz - See Magirus

Marmon-Herrington Axle Model Index

Model	Capacity	See	Line No.	Model	Capacity	See	Line No.
C6M5			1	M804			2
C6M6			1	M806			2
CM5			1	M904			2
CM504			1	MH440-4			7
CM6			1	MH440-6			7
CM604			1	MH555-4			4
CM704			2	MH555-6			7
CM754			2	MH610-4			2
CM756			2	MH610A-4			2
CM804			2	MH625-4			4
CM904			2	MH630-4			4
DSD500-6			3	Q			2
DSD600-6			4	R32-4			5
DSD800-6			4	R4-4			1
DVL-4			5	R5-4			1
LD6-4			6	R6-4			1
LD6P-4			6	TC40			9
LD7-4			6	TC44			9
M104-4			6	TC48			9
M254			8	TC49			9
M354			8	TC50			9
M504			1	V			1
M604			1	W			2
M704			2				
M754			2				
M756			2				

Mfr Line Number	Scotseal® PlusXL	Scotseal® Classic	Scotseal® Longlife	Inner (Cone/Cup)	Outer (Cone/Cup)	Grease Seal Location	Number
--------------------	---------------------	----------------------	-----------------------	---------------------	---------------------	-------------------------	--------

Marmon-Herrington

1						Axle Shaft	17746
						Inner	49998
2						Axle Shaft	18916
3						Axle Shaft	19969
4						Axle Shaft	22446

Mfr Line Number	Scotseal® PlusXL	Scotseal® Classic	Scotseal® Longlife	Inner (Cone/Cup)	Outer (Cone/Cup)	Grease Seal Location	Number
Marmon-Herrington (continued)							
5						Axle Shaft R32-4	13875
						Inner	49998
6						Axle Shaft LD7-4, M104	13537
						Axle Shaft LD6-4, LD6P-4	13649
						Inner	39934
7						Axle Shaft	19886
8						Axle Shaft	13875
						Inner - 1301	
						Axle	44968
						Inner - 1475	
						Axle	49998
9						Inner	40078

Mercedes-Benz Axle Model Index

Model	Capacity	See	Line No.	Model	Capacity	See	Line No.
L 1013			1	L 1317			3
L 1113			2	L 1319			3
L 1116			2	L 1418			4
L 1117			3	LS 1316			6
L 1316			4	LS 1418			5

Mfr Line Number	Scotseal® PlusXL	Scotseal® Classic	Scotseal® Longlife	Inner (Cone/Cup)	Outer (Cone/Cup)	Grease Seal Location	Number
Mercedes-Benz							
1					BR32307	Inner	37075
				BR559/ 552-A VP			
2					BR32307 BR32307	Inner	37075
				BR559/ 552-A VP			
					BR33208	Inner	39120
3					BR33208	Inner	39120
4				BR559/ 552-A VP			
					BR33208	Inner	39120
5				BR559/ 552-A VP	BR32307		
6				BR559/ 552-A VP			

Meritor Axle Model Index

Model	Capacity	See	Line No.	Model	Capacity	See	Line No.
14000			58	27461	14000 lbs.		46
16000			43	27462	14000 lbs.		46
16600			43	27462A	14000 lbs.		46
16601			43	27463	14000 lbs.		46
16602			43	27463A	14000 lbs.		46
16608			38	27465	15000 lbs.		16
16612			38	27465A	14000 lbs.		58
16613			38	27620	14000 lbs.		46
16616			38	2770			38
16618			38	2771			38
16800			56	2774			38
16800W	12000 lbs.		24	2775			38
16801			56	2776			38
16801W	12000 lbs.		25	2777			38
1689			38	30000	3750 lbs.		48
16900			38	30003	3750 lbs.		48
16901			51	30004	3750 lbs.		48
16901W	12000 lbs.		26	30012	3750 lbs.		48
16902			51	30020	3750 lbs.		48
16902W	12000 lbs.		26	30023	3750 lbs.		49
16903			51	30062	3750 lbs.		49
16903W	12000 lbs.		26	30063	3750 lbs.		49
16905			51	30064	3750 lbs.		49
16905W	12000 lbs.		26	31007	4500 lbs.		50
16910			51	31008	4500 lbs.		50
1692			38	31009	4500 lbs.		50
16920			51	31013	4500 lbs.		50
16920W	12000 lbs.		26	31015	4500 lbs.		50
1693			38	31018	4500 lbs.		50
16930	12000 lbs.		26	31020	4500 lbs.		50
16930W	12000 lbs.		26	31041	4500 lbs.		50
16931	12000 lbs.		26	31100	5000 lbs.		50
16931W	12000 lbs.		26	31104	5000 lbs.		50
2600			40	31105	5000 lbs.		50
26060			38	31116	5000 lbs.		50
26061			45	32500			52
26062			38	32501			52
26063			38	32502			52
26065			38	32504			52
2650			38	32505			61
2652			51	32506			52
2652P			38	32508			52
2653			38	32509			52
2653P			38	32514			52
2658			41	32515			61
2660			38	32518			52
2661			38	32519			52
2662			38	32520			52
2663			38	32521			52
2664			38	32550			61
2665			38	32550H			27
2666			38	32550TW			27
2668			38	32552			52
2700			40	32553			52
27000	14000 lbs.		46	32556			52
27050	14000 lbs.		46	F2090	8000 lbs.		20
27052	14000 lbs.		46	F2090H	15000 lbs.		20
27054	14000 lbs.		46	F2090H73	15000 lbs.		20
27060	14000 lbs.		46	F2090W	15000 lbs.		20
27061	14000 lbs.		46	F2090W73	15000 lbs.		20
27062	14000 lbs.		46	F2094	10500 lbs.		39
27062A	14500 lbs.		46	F233	10000 lbs.		23
27063	14000 lbs.		47	F235	15000 lbs.		21
27070	14000 lbs.		47	F3100CW	15000 lbs.		21
27071	14000 lbs.		47	F3100W	15000 lbs.		21
27072	14000 lbs.		47	F3200W	15000 lbs.		21
27450	14000 lbs.		46	F409CW	15000 lbs.		21
27451	14000 lbs.		46	F460			22
27452	14000 lbs.		46	F462			22
27454	14000 lbs.		46	F464			22
27460	15000 lbs.		16	F466			22
27460	14000 lbs.		58	F7900	20000 lbs.		57

For in-text symbols, see page 5A.

Meritor Axle Model Index (continued)

Model	Capacity	See	Line No.	Model	Capacity	See	Line No.
F7900N	15000 lbs.		23	FE900P	10800 lbs.		11
F7901	20000 lbs.		42	FE900TW	10800 lbs.		11
F7910	20000 lbs.		42	FE901	11000 lbs.		31
FC900			62	FE903	11000 lbs.		31
FC900H	7000 lbs.		1	FE921	11000 lbs.		30
FC900N	7000 lbs.		1	FE931	11000 lbs.		31
FC900TW	7000 lbs.		1	FE970	11000 lbs.		12
FC901	7000 lbs.		1	FE970TW	10800 lbs.		12
FC901H	7000 lbs.		1	FF900	12000 lbs.		30
FC901N	7000 lbs.		1	FF901	12000 lbs.		55
FC901TW	7000 lbs.		1	FF901H	12000 lbs.		10
FC903	7000 lbs.		32	FF901N	12000 lbs.		10
FC921	7000 lbs.		32	FF901P	12000 lbs.		10
FC931	7000 lbs.		2	FF901RDA	12000 lbs.		10
FC931N	7000 lbs.		2	FF901RDH	12000 lbs.		10
FC941	8000 lbs.		36	FF901TW	12000 lbs.		10
FD208	9000 lbs.		9	FF903	12000 lbs.		10
FD209	9000 lbs.		9	FF920			30
FD211	9000 lbs.		10	FF921	12000 lbs.		10
FD215	9000 lbs.		10	FF921RDA	12000 lbs.		10
FD219	9000 lbs.		10	FF921RDH	12000 lbs.		10
FD900	9000 lbs.		9	FF921TW	12000 lbs.		10
FD900DPA	9000 lbs.		9	FF930	12000 lbs.		30
FD900DPH	9000 lbs.		9	FF931	12000 lbs.		10
FD900H	9000 lbs.		9	FF931A	12000 lbs.		10
FD900N	9000 lbs.		9	FF931P	12000 lbs.		10
FD900P	9000 lbs.		9	FF931TW	12000 lbs.		10
FD900TW	9000 lbs.		9	FF932	12000 lbs.		13
FD900W	9000 lbs.		9	FF933	12000 lbs.		13
FD901	9000 lbs.		54	FF934			30
FD901DPH	9000 lbs.		9	FF941	12000 lbs.		10
FD901H	9000 lbs.		9	FF941A	12000 lbs.		10
FD901P	9000 lbs.		9	FF942	13200 lbs.		37
FD901TW	9000 lbs.		9	FF943	12000 lbs.		30
FD903	9000 lbs.		9	FF944	13200 lbs.		29
FD921			34	FF961	12000 lbs.		37
FD931	9000 lbs.		2	FF966	12000 lbs.		59
FD931N	9000 lbs.		2	FF971	12000 lbs.		14
FD931TW	9000 lbs.		2	FG900	14600 lbs.		15
FD933	9000 lbs.		34	FG900N	14600 lbs.		15
FD961	10000 lbs.		30	FG900TW	14600 lbs.		15
FDS1600	16000 lbs.		3	FG901	14600 lbs.		16
FDS1600RSA	16000 lbs.		3	FG903	14600 lbs.		16
FDS1800	18000 lbs.		4	FG931	14600 lbs.		13
FDS1800N	18000 lbs.		4	FG931			59
FDS1800RSA	18000 lbs.		4	FG941	14600 lbs.		13
FDS1800TW	18000 lbs.		4	FG943	14600 lbs.		37
FDS1801RSA	18000 lbs.		4	FH900	16000 lbs.		28
FDS1801TW	18000 lbs.		4	FH901	16000 lbs.		17
FDS1802RSA	18000 lbs.		4	FH901N	16000 lbs.		17
FDS1805	18000 lbs.		5	FH901P	16000 lbs.		17
FDS1805RDH	18000 lbs.		5	FH901RDA	16000 lbs.		17
FDS1807	18000 lbs.		5	FH901RDH	16000 lbs.		17
FDS1807RDH	18000 lbs.		5	FH903	16000 lbs.		29
FDS1808	18000 lbs.		5	FL900	18000 lbs.		29
FDS1808RHD	18000 lbs.		5	FL901	18000 lbs.		18
FDS2100	21000 lbs.		5	FL901N	18000 lbs.		18
FDS2101	21000 lbs.		5	FL901P	18000 lbs.		18
FDS2102	21000 lbs.		5	FL901RDA	18000 lbs.		18
FDS75	7500 lbs.		60	FL901RDH	18000 lbs.		18
FDS750	7500 lbs.		7	FL903	18000 lbs.		29
FDS750BH	7500 lbs.		7	FL921	18000 lbs.		29
FDS750CH	7500 lbs.		7	FL931	20000 lbs.		18
FDS750CN	7500 lbs.		7	FL931N	20000 lbs.		18
FDS751CN	7500 lbs.		8	FL931P	20000 lbs.		18
FDS75N	7500 lbs.		6	FL931RDA	20000 lbs.		18
FE900	10800 lbs.		11	FL936			29
FE900DPA	10800 lbs.		11	FL941	20000 lbs.		18
FE900DPH	10800 lbs.		11	FL942	13000 lbs.		29
FE900H	10800 lbs.		11	FL943	16000 lbs.		29
FE900HD	10800 lbs.		11	FL951	20000 lbs.		18
FE900N	10800 lbs.		11	FLP01RDH			18

Meritor Axle Model Index (continued)

Model	Capacity	See	Line No.	Model	Capacity	See	Line No.
FU900	28000 lbs.		19	RF21156	21000 lbs.		44
FU900P	28000 lbs.		19	RF21355	21000 lbs.		53
FU910	28000 lbs.		33	RHD	12000 lbs.		10
FU935	30000 lbs.		35				
JD1448			38				
RF16145	16000 lbs.		44				
RF21155	21000 lbs.		44				

Mfr Line Number	Scotseal® PlusXL	Scotseal® Classic	Scotseal® Longlife	Inner (Cone/Cup)	Outer (Cone/Cup)	Grease Seal Location	Number
-----------------	------------------	-------------------	--------------------	------------------	------------------	----------------------	--------

Meritor

1							
Standard Axle		28820		BR45284/ BR45220 ▲SET410	BR2780/ BR2720		
Ford		28820		BR45284/ BR45220 ▲SET410	BR25880/ BR25820	Inner	28828
Navistar		28820		BR45284/ BR45220 ▲SET410	BR2780/ BR2720		
2							
	35058	35066	35103	BR39581/ BR39520	BR3585/ BR3525	Inner	34980
3							
Standard Axle				BR64450/ BR64700	HM218248 VP/ HM218210 VP ▲SET414	Inner	60012
Navistar				BR64450/ BR64700	HM218248 VP/ HM218210 VP ▲SET414	Inner	60012
4							
Standard Axle				BR71450/ BR71750	BR52400/ BR52637	Inner	70016
Navistar				BR71450/ BR71750	BR52400/ BR52637	Inner	70016
5							
Standard Axle				JHM720249 VP/ JHM720210 VP	BR52375/ BR52637	Axle Shaft	32397
Navistar				JHM720249 VP/ JHM720210 VP	BR52375/ BR52637	Inner	53790
						Axle Shaft	32397
						Inner	53790
6							
				BR39590/ BR39520 ▲SET408	387-S/ 382-A VP	Inner	36186
7							
Standard Axle				BR47490/ BR47420	395-A VP/ 394-A VP		
Navistar				BR47490/ BR47420	395-A VP/ 394-A VP		
8							
				BR33287/ BR33472	395-A VP/ 394-A VP		
9							
Standard Axle	35058	35066 or 35072 ⁵	35103	BR39581/ BR39520	BR3585/ BR3525	Inner	35062
Ford	35058	35066 or 35072 ⁵	35103	BR39581/ BR39520	BR3585/ BR3525		

For in-text symbols, see page 5A.

Mfr Line Number	Scotseal® PlusXL	Scotseal® Classic	Scotseal® Longlife	Inner (Cone/Cup)	Outer (Cone/Cup)	Grease Seal Location	Number
Meritor (continued)							
Navistar	35058	35066 or 35072 ⁵	35103	BR39581/ BR39520	BR3585/ BR3525	Inner	35062
10 Standard Axle	35058	35066 or 35072 ⁵	35103	HM212047 VP/ HM212011 VP ▲SET412	BR3782/ BR3720 ▲SET406	Inner	35062
Ford	35058	35066 or 35072 ⁵	35103	HM212047 VP/ HM212011 VP ▲SET412	BR3782/ BR3720 ▲SET406	Inner	35062
GMC	35058	35066 or 35072 ⁵	35103	HM212047 VP/ HM212011 VP ▲SET412	BR3782/ BR3720 ▲SET406	Inner	35062
Navistar	35058	35066 or 35072 ⁵	35103	HM212047 VP/ HM212011 VP ▲SET412	BR3782/ BR3720 ▲SET406	Inner	35062
11 Standard Axle - 2nd Design..	35058	35066 or 35072 ⁵	35103	HM212044 VP/ HM212011 VP	BR3782/ BR3720 ▲SET406	Inner	35062
Standard Axle - 1st Design .	35058	35066 or 35072 ⁵	35103	557-A/ 553-X	BR3782/ BR3720 ▲SET406	Inner	35062
Ford - 2nd Design	35058	35066 or 35072 ⁵	35103	HM212044 VP/ HM212011 VP	BR3782/ BR3720 ▲SET406	Inner	35062
Ford - 1st Design	35058	35066 or 35072 ⁵	35103	557-A/ 553-X	BR3782/ BR3720 ▲SET406	Inner	35062
GMC - From 1960	35058	35066 or 35072 ⁵	35103	HM212044 VP/ HM212011 VP	BR3782/ BR3720 ▲SET406		
GMC - From 1955 Thru 1959.		35075		HM212044 VP/ HM212011 VP	BR3782/ BR3720 ▲SET406		
GMC - Thru 1954		35075		557-A/ 553-X	BR3782/ BR3720 ▲SET406		
Navistar - 2nd Design	35058	35066 or 35072 ⁵	35103	HM212044 VP/ HM212011 VP	BR3782/ BR3720 ▲SET406	Inner	35062
Navistar - 1st Design	35058	35066 or 35072 ⁵	35103	557-A/ 553-X	BR3782/ BR3720 ▲SET406	Inner	35062
12 Standard Axle		48794		756-A/ BR752	HM212047 VP/ HM212011 VP ▲SET412	Inner	48883
Ford		48796		756-A/ BR752	HM212047 VP/ HM212011 VP ▲SET412	Inner	48886
GMC		48794		756-A/ BR752	HM212046/ HM212011 VP	Inner	48883
Navistar		48794		756-A/ BR752	HM212047 VP/ HM212011 VP ▲SET412	Inner	48883
13	35058	35066 or 35072 ⁵	35103	HM212049 VP/ HM212011 VP ▲SET413	BR3782/ BR3720 ▲SET406	Inner	35062
14		48796		756-A/ BR752	HM212047 VP/ HM212011 VP ▲SET412	Inner	48886

Mfr Line Number	Scotseal® PlusXL	Scotseal® Classic	Scotseal® Longlife	Inner (Cone/Cup)	Outer (Cone/Cup)	Grease Seal Location	Number
Meritor (continued)							
15 Standard Axle		39380		BR6320/ BR6386		Inner	40036
Navistar		39380		BR6320/ BR6386		Inner	40036
16 Ford		39380		BR6320/ BR6389		Inner	40036
GMC		39380		BR6320/ BR6389		Inner	40036
Navistar		39380		BR6320/ BR6389		Inner	40036
17 Standard Axle	43761	43764		6461-A VP/ BR6420 ▲SET423	BR3979/ BR3920	Inner	43762
Ford	43761	43764		6461-A VP/ BR6420 ▲SET423	555-S VP/ 552-A VP ▲SET424	Inner	43762
Navistar - Exc. FA231	43761	43764		6461-A VP/ BR6420 ▲SET423	BR3979/ BR3920	Inner	43762
Navistar - FA231	43761	43764		6461-A VP/ BR6420 ▲SET423	555-S VP/ 552-A VP ▲SET424	Inner	43762
18 Standard Axle	43761	43764		6461-A VP/ BR6420 ▲SET423	555-S VP/ 552-A VP ▲SET424	Inner	43762
Ford	43761	43764		6461-A VP/ BR6420 ▲SET423	555-S VP/ 552-A VP ▲SET424	Inner	43762
GMC	43761	43764		6461-A VP/ BR6420 ▲SET423	555-S VP/ 552-A VP ▲SET424	Inner	43762
Navistar	43761	43764		6461-A VP/ BR6420 ▲SET423	555-S VP/ 552-A VP ▲SET424	Inner	43762
19					BR749/ BR742	Outer	43820
20				BR594/ 592-A VP	BR498/ BR493	Axle Shaft	19886
21 Standard Axle				BR71450/ BR71750	BR52400/ BR52637	Outer	25043
Navistar				BR71450/ BR71750	BR52400/ BR52637	Inner	62495
22 GMC				BR3578/ BR3525	BR2689/ BR2631	Inner - 2.250" Shaft	22583
						Inner - 2.375" Shaft	23779
23				BR64450/ BR64700	BR52400/ BR52637		

For in-text symbols, see page 5A.

Mfr Line Number	Scotseal® PlusXL	Scotseal® Classic	Scotseal® Longlife	Inner (Cone/Cup)	Outer (Cone/Cup)	Grease Seal Location	Number
Meritor (continued)							
24				BR623/ BR612		Inner	37525
25					BR59187/ BR59412	Inner	40077
26 2.563" Inner Brg. I.D.	40091	40086		BR6379/ BR6320	557-S VP/ 552-A VP	Inner	40078
2.625" Inner Brg. I.D.	40091	40086		BR6386/ BR6320	557-S VP/ 552-A VP	Inner	40078
27				BR3778/ BR3720	BR2790/ BR2720		
28	43761	43764		6461-A VP/ BR6420 ▲SET423	555-S VP/ 552-A VP ▲SET424		
29	43761	43764		6461-A VP/ BR6420 ▲SET423	555-S VP/ 552-A VP ▲SET424		
30	35058	35066 or 35072 ⁵	35103	HM212047 VP/ HM212011 VP ▲SET412	BR3782/ BR3720 ▲SET406		
31	35058	35066 or 35072 ⁵	35103	557-A/ 553-X	BR3782/ BR3720 ▲SET406		
32 Thru 9/72		28820		BR45284/ BR45220 ▲SET410	BR2780/ BR2720		
From 10/72		28832		BR45284/ BR45220 ▲SET410	BR2780/ BR2720		
33					BR749/ BR742		
34	35058	35066 or 35072 ⁵	35103	BR39581/ BR39520	BR3585/ BR3525		
35					555-S VP/ 552-A VP ▲SET424		
36	28759	28758		JM207049-A VP/ JM207010	BR25877/ BR25820		
37	35058	35066 or 35072 ⁵	35103	HM212049 VP/ HM212011 VP ▲SET413	BR3782/ BR3720 ▲SET406		

Mfr Line Number	Scotseal® PlusXL	Scotseal® Classic	Scotseal® Longlife	Inner (Cone/Cup)	Outer (Cone/Cup)	Grease Seal Location	Number
Meritor (continued)							
38	40091	40086		BR6320/ BR6379	552-A VP/ 557-S VP		
39				BR594/ 592-A VP	BR498/ BR493		
40 2.563" Inner Cone I.D.	40091	40086		BR6320/ BR6379	552-A VP/ 557-S VP		
2.625" Inner Cone I.D. & .17" Cone Front Face Radius ..	40091	40086		BR6320/ BR6386	552-A VP/ 557-S VP		
2.625" Inner Cone I.D. & .25" Cone Front Face Radius ..	40091	40086		BR6320/ BR6389	552-A VP/ 557-S VP		
41		40036 40040					
42				BR64450/ BR64700			
43				BR623/ BR612	BR460/ 453-X VP		
44				JHM720249 VP/ JHM720210 VP	BR52375/ BR52637		
45					BR59175/ BR59412		
46 3.875" Shaft		38747* w/455031		BR6386/ BR6320			
4.000" Shaft	40091	40086		BR6320/ BR6389	552-A VP/ 557-S VP		
47	40091	40086		BR6320/ BR6379	552-A VP/ 557-S VP		
48				BR3382/ BR3320	BR1779/ 1729-X		
49				BR3382/ BR3320			
50				BR3578/ BR3525	BR2689/ BR2631		
51 2.563" Inner Cone I.D.	40091	40086		BR6379/ BR6320	557-S VP/ 552-A VP		
2.625" Inner Cone I.D. & .17" Cone Front Face Radius ..	40091	40086		BR6386/ BR6320	557-S VP/ 552-A VP		
2.625" Inner Cone I.D. & .25" Cone Front Face Radius ..	40091	40086		BR6389/ BR6320	557-S VP/ 552-A VP		

For in-text symbols, see page 5A.

Mfr Line Number	Scotseal® PlusXL	Scotseal® Classic	Scotseal® Longlife	Inner (Cone/Cup)	Outer (Cone/Cup)	Grease Seal Location	Number
Meritor (continued)							
52 1.313" Outer Cone I.D. 1.375" Outer Cone I.D.				BR3778/ BR3720 BR3778/ BR3720	BR2790/ BR2720 BR25877/ BR25820		
53				JHM720249 VP/ JHM720210 VP	BR52375/ BR52637	Inner Outer	32437 53790
54	35058	35066 or 35072 ⁵	35103	BR39581/ BR39520	BR3585/ BR3525	Inner	35062
55	35058	35066 or 35072 ⁵	35103	HM212047 VP/ HM212011 VP ▲SET412	BR3782/ BR3720 ▲SET406	Inner	35062
56	40091	40086		BR6379/ BR6320	557-S VP/ 552-A VP	Inner	40078
57				BR64450/ BR64700		Inner Outer	29350 29350
58 5.375" Seal Bore 5.625" Seal Bore	40091	38747 40086		BR6386/ BR6320 BR6389/ BR6320	557-S VP/ 552-A VP		
59	35058	35066 or 35072 ⁵	35103	HM212049 VP/ HM212011 VP ▲SET413	BR3782/ BR3720 ▲SET406		
60	28759	28758		JM207049-A VP/ JM207010	BR25877/ BR25820		
61				BR3778/ BR3720			
62				BR45284/ BR45220 ▲SET410			

Mitsubishi Fuso Axle Model Index

Model	Capacity	See	Line No.	Model	Capacity	See	Line No.
FK415			2	FM555			1

Mfr Line Number	Scotseal® PlusXL	Scotseal® Classic	Scotseal® Longlife	Inner (Cone/Cup)	Outer (Cone/Cup)	Grease Seal Location	Number
Mitsubishi Fuso							
1						Inner	51181
2						Inner	40151

Navistar Axle Model Index

Model	Capacity	See	Line No.	Model	Capacity	See	Line No.
002ADA			37	FA184	18000 lbs.	Meritor FDS1800	
002ADB			37	FA186	21000 lbs.	Meritor FDS1800	
002ADC			38	FA191	16000 lbs.	Meritor FDS1600	
002ADD			38	FA192	18000 lbs.	Meritor FDS1800	
002ADE			35	FA193	21000 lbs.	Meritor FDS1800	
002ADG			35	FA194	18000 lbs.	Meritor FDS1807	
002AEA			35	FA195	21000 lbs.	Meritor FDS1805	
002ARA			35	FA195	21000 lbs.	Meritor FDA1807	
0206	11000 lbs.	Meritor FE900		FA196	21000 lbs.	Meritor FDS 1808	
0207	11000 lbs.	Meritor FE900		FA20	3500 lbs.		14
0213	9000 lbs.	Meritor FD900		FA201	12000 lbs.	Meritor FD211	
2227			35	FA208	9000 lbs.	Meritor FD208	
2231			36	FA209	9000 lbs.	Meritor FD209	
2232			36	FA21	2500 lbs.	Spicer 30	
2233			36	FA210	11000 lbs.	Meritor FE900	
2250			35	FA211	12000 lbs.	Meritor FD211	
FA1	2500 lbs.		1	FA212	12000 lbs.	Meritor FD211	
FA10	3200 lbs.		2	FA213	12000 lbs.	Meritor RHD	
FA100	9000 lbs.	Meritor FD900		FA215	15000 lbs.	Meritor FD215	
FA101	7500 lbs.		3	FA216	12000 lbs.	Meritor FD219	
FA102	9000 lbs.	Meritor FD900		FA218	12000 lbs.	Meritor FD219	
FA103	7500 lbs.		3	FA219	12000 lbs.	Meritor FD219	
FA104	9000 lbs.		9	FA22			30
FA105	9000 lbs.	Meritor FD900		FA223	12000 lbs.	Meritor FF941	
FA108	9000 lbs.		4	FA224	12000 lbs.	Meritor FF931A	
FA109	9000 lbs.		5	FA225	12000 lbs.	Meritor FD215	
FA11	2500 lbs.	Spicer 30		FA226	12000 lbs.	Meritor FF931	
FA110	11000 lbs.	Meritor FE900		FA227	13200 lbs.	Meritor FF932	
FA111	11000 lbs.	Meritor FE900		FA228	12000 lbs.	Meritor FF921	
FA112	11000 lbs.	Meritor FE970		FA229	12000 lbs.	Meritor FF921	
FA113	11000 lbs.	Meritor FE970		FA231	16000 lbs.	Meritor FH901	
FA114	12000 lbs.		6	FA231	18000 lbs.	Meritor FL941	
FA115	11000 lbs.		31	FA232	18000 lbs.	Meritor FL931	
FA118	9000 lbs.		29	FA232	18000 lbs.	Meritor FL941	
FA119	12000 lbs.		29	FA233	20000 lbs.	Meritor FL931	
FA12	3800 lbs.		8	FA233	20000 lbs.	Meritor FL941	
FA120	15000 lbs.	Meritor 27460		FA234	12000 lbs.	Meritor FF971	
FA127	10800 lbs.		7	FA238	20000 lbs.	Meritor FL931	
FA13	2500 lbs.	Spicer 30		FA239	20000 lbs.	Meritor FL931	
FA130			10	FA24	2500 lbs.	Spicer 30	
FA131			10	FA241	20000 lbs.	Meritor FL931	
FA132	15000 lbs.	Meritor FG900		FA242	24000 lbs.		17
FA133	15000 lbs.	Meritor FG900		FA245	16000 lbs.		17
FA134			11	FA248	24000 lbs.		15
FA136	16000 lbs.	Meritor FH901		FA25	3500 lbs.		12
FA137	16000 lbs.	Meritor FH901		FA250	25000 lbs.	Meritor FU900	
FA138	16000 lbs.	Meritor FDS1600		FA28	4000 lbs.		14
FA139	12000 lbs.		29	FA3	25000 lbs.	Spicer 30	
FA14	2500 lbs.	Spicer 27		FA30	3500 lbs.		14
FA140	14000 lbs.	Coleman 14000		FA309	9000 lbs.		16
FA15	2800 lbs.		12	FA329	10500 lbs.		16
FA150	16000 lbs.	Meritor FH901		FA336	12000 lbs.		15
FA16	2800 lbs.		13	FA337	12000 lbs.		15
FA17	2800 lbs.		13	FA338	12000 lbs.		15
FA175	15000 lbs.	Eaton FE15		FA339	12000 lbs.		15
FA176	15000 lbs.	Meritor F235		FA340	12000 lbs.		15
FA18	3500 lbs.		12	FA341	10800 lbs.		16
FA180	18000 lbs.	Eaton FE18		FA342	13500 lbs.		15
FA182	18000 lbs.	Meritor FL901		FA343	12000 lbs.		39
FA183	18000 lbs.	Meritor FL901		FA4	2000 lbs.		18

For in-text symbols, see page 5A.

Navistar Axle Model Index (continued)

Model	Capacity	See	Line No.	Model	Capacity	See	Line No.
FA40	4700 lbs.		3	FA81	7500 lbs.		24
FA401	13000 lbs.	Fabco 13000		FA82	12000 lbs.	Fabco 12000	
FA41	4700 lbs.		14	FA83	12000 lbs.	Fabco 12000	
FA43	3200 lbs.	Spicer 44		FA89	55000 lbs.		28
FA44	3200 lbs.	Spicer 44		FA9	25000 lbs.		1
FA45	3000 lbs.		12	FA91	7500 lbs.		28
FA46	3000 lbs.		13	FA95	7000 lbs.	Meritor FC901	
FA48	4700 lbs.		14	FA98	7500 lbs.		28
FA5	3200 lbs.		19	FA99	7500 lbs.		28
FA50	5000 lbs.		20	FAADA	6000 lbs.		39
FA51	7000 lbs.	Spicer 70		FAADB	8000 lbs.		39
FA52	7000 lbs.	Spicer 70		FAADC	10000 lbs.		39
FA53	7000 lbs.	Spicer 70		FAADD	12000 lbs.		39
FA54	7000 lbs.	Spicer 70		FAADE			32
FA55	7500 lbs.	Meritor FDS750		FAADG	14000 lbs.		39
FA56	5600 lbs.		21	FAADH	16000 lbs.		17
FA57	9000 lbs.	Coleman 9000		FAADJ	18000 lbs.		17
FA58	6000 lbs.		22	FAADK	20000 lbs.		17
FA59	9000 lbs.	Coleman 9000		FAADL	9000 lbs.		39
FA6	3500 lbs.		8	FAARA	12000 lbs.		39
FA60	6000 lbs.		23	FAERA	21000 lbs.		40
FA62	3400 lbs.	Spicer 44		FAERC	23000 lbs.		40
FA63	3500 lbs.	Spicer 44		FAERD	21000 lbs.		40
FA64	9000 lbs.		24	FAERE	18000 lbs.		40
FA65	7000 lbs.		25	FAERG	21000 lbs.		40
FA66	5000 lbs.		23	FAEYA	16000 lbs.		34
FA68	5000 lbs.		23	FAEYB	12000 lbs.		34
FA69	6000 lbs.		26	FAEYC	16000 lbs.		34
FA7	4000 lbs.		8	FAEYG	12000 lbs.		34
FA70	5500 lbs.		23	FAKER	18000 lbs.		40
FA71	5500 lbs.		27	FAKRB	18000 lbs.		17
FA72	55000 lbs.		23	FF931			33
FA73	60000 lbs.		7	FF941			33
FA74	60000 lbs.		7				
FA75	75000 lbs.	Meritor FDS750					
FA76	75000 lbs.	Meritor FDS750					
FA77	75000 lbs.	Meritor FDS750					
FA78	75000 lbs.		24				
FA8	25000 lbs.		1				
FA80	12000 lbs.		28				

Mfr Line Number	Scotseal® PlusXL	Scotseal® Classic	Scotseal® Longlife	Inner (Cone/Cup)	Outer (Cone/Cup)	Grease Seal Location	Number
1 1959 Thru 1975 Exc. FA1 w/12" Brks.				LM48548 VP/ LM48510 VP ▲BR5	M12649 VP/ M12610 VP ▲BR3	Inner	18050
1959 Thru 1975 FA1 w/12" Brks.				BR14130/ BR14274	BR12580/ BR12520	Inner	18149
2 1959 Thru 1975				BR14130/ BR14274	BR12580/ BR12520	Inner	18149
3	28759	28758		JM207049-A VP/ JM207010	BR25877/ BR25820	Inner	28745
4	44916	44922		BR641/ BR632	BR28682/ BR28622 ▲SET407	Inner	44920
5 Cast Whls.	45095	45103		BR641/ BR632	BR28682/ BR28622		

For in-text symbols, see page 5A.

Mfr Line Number	Scotseal® PlusXL	Scotseal® Classic	Scotseal® Longlife	Inner (Cone/Cup)	Outer (Cone/Cup)	Grease Seal Location	Number
Navistar (continued)							
Disc Whls.	44916	44922		BR641/ BR632	▲ SET407 BR3979/ BR3920	Inner	44920
6	44916	44922		H715345 VP/ H715311 VP ▲ SET420	BR3979/ BR3920	Inner	44920
7 Cast Whls.	45095	45103		H715345 VP/ H715311 VP ▲ SET420	BR3979/ BR3920		
Disc Whls.	44916	44922		H715345 VP/ H715311 VP ▲ SET420			
8 1.563" Inner Brg. I.D.				BR26881/ BR26823	BR15100/ BR15245	Inner	22468
1.688" Inner Brg. I.D.				BR26884/ BR26823	BR15100/ BR15245	Inner	22468
9 Cast Whls.	45095	45103		H715345 VP/ H715311 VP ▲ SET420	BR28682/ BR28622 ▲ SET407		
Disc Whls.	44916	44922		HM212049 VP/ HM212011 VP ▲ SET413	BR28682/ BR28622 ▲ SET407	Inner	44920
10 2.625" Inner Brg. I.D.				BR6386/ BR6320			
11				555-S VP/ 552-A VP ▲ SET424	BR438/ BR432		
12 1.750" Inner Brg. I.D.				BR18685/ BR18620	BR18685/ BR18620	Axle Shaft	13165
1.813" Inner Brg. I.D.				BR18690/ BR18620	BR18690/ BR18620	Inner	22468 22468
13				LM603049 VP/ LM603011 ▲ BR37	LM501349 VP/ LM501310 VP ▲ BR35	Axle Shaft	13165
14 1.563" Inner Brg. I.D.				BR26881/ BR26823	BR1779/ BR1729	Inner - (Felt)	515
1.688" Inner Brg. I.D.				BR26884/ BR26823	BR1779/ BR1729	Inner	22371
15	45095	45103		H715345 VP/ H715311 VP ▲ SET420	BR28682/ BR28622 ▲ SET407		
16	44916	44922		HM212049 VP/ HM212011 VP ▲ SET413	BR28682/ BR28622 ▲ SET407	Inner	44920
17	43761	43764		6461-A VP/ BR6420 ▲ SET423	555-S VP/ 552-A VP ▲ SET424		

For in-text symbols, see page 5A.

Mfr Line Number	Scotseal® PlusXL	Scotseal® Classic	Scotseal® Longlife	Inner (Cone/Cup)	Outer (Cone/Cup)	Grease Seal Location	Number
18				BR15123/ BR15245	BR09067/ BR09195	Inner	16520
19				L68149 VP/ L68111 VP ▲BR17	LM12749 VP/ LM12711 VP ▲BR16	Inner	19834
20				BR33275/ BR33472	399-A/ 394-A VP	Axle Shaft	16816
21				BR47490/ BR47420	395-A VP/ 394-A VP		
22				BR469/ 453-X VP	BR3780/ BR3720	Inner	28275
23				BR3578/ BR3525	BR2689/ BR2620	Inner - (Felt)	662
24				BR566/ BR563	BR33269/ BR33462	Inner	36364
25 From Ser. FB11300 and From Ser. SB95444		27438		BR33895/ BR33821	BR3196/ BR3120	Inner - (Felt)	666
Thru Ser. FB11299 and Thru Ser. SB95443		27438		BR33891/ BR33821	BR3196/ BR3120	Inner - (Felt)	666
AM, AMC160, A160				BR26881/ BR26823	BR1779/ BR1729	Inner - (Felt)	515
S170, S1700, S1840				BR3578/ BR3525	BR2689/ BR2620	Inner - (Felt)	662
26				BR3778/ BR3720	BR2689/ BR2620	Inner	28035
27	28759	28758		JM205149-A/ JM205110 VP	BR25877/ BR25820	Inner	28745
28		27438		BR33895/ BR33821	BR3196/ BR3120	Inner - (Felt)	666
29	44916	44922		H715345 VP/ H715311 VP ▲SET420	BR3979/ BR3920	Inner	44920
30 1.563" Inner Cone I.D.				BR26881/ BR26823	BR15100/ BR15245	Inner	22468
1.688" Inner Cone I.D.				BR26884/ BR26823	BR3585/ BR3525	Inner	22468
31	35058	35066 or 35072 ⁵	35103	BR39581/ BR39520	BR3585/ BR3525	Inner	35062

**A
P
P
L
I
C
A
T
I
O
N
S**

**T
R
A
I
L
E
R
,
T
A
G
&
P
U
S
H
E
R
A
X
L
E
S**

**F
R
O
N
T
A
X
L
E
S**

**D
R
I
V
E
A
X
L
E
S**

**M
E
D
I
U
M
T
R
U
C
K**

Mfr Line Number	Scotseal® PlusXL	Scotseal® Classic	Scotseal® Longlife	Inner (Cone/Cup)	Outer (Cone/Cup)	Grease Seal Location	Number
--------------------	---------------------	----------------------	-----------------------	---------------------	---------------------	-------------------------	--------

Navistar (continued)

32 3.813" Outer Cone O.D. ...	45095	45103		H715345 VP/ H715311 VP ▲SET420	BR28682/ BR28622 ▲SET407		
4.813" Outer Cone O.D. ...	45095	45103		H715345 VP/ H715311 VP ▲SET420	555-S VP/ 552-A VP ▲SET424		
33 To 10/89	35058	35066	35103	HM212047 VP/ HM212011 VP ▲SET412	BR3782/ BR3720 ▲SET406		
From 11/89	35058	35066	35103	HM212049 VP/ HM212011 VP ▲SET413	BR3782/ BR3720 ▲SET406		
34		45162		HM218248 VP/ HM212011 VP	BR42687/ BR42620		
35	35058	35066	35103	HM212049 VP/ HM212011 VP ▲SET413	BR3782/ BR3720 ▲SET406		
36	43761	43764		6461-A VP/ BR6420 ▲SET423			
37	28759	28758		JM205149-A/ JM205110 VP	BR25877/ BR25820		
38	35058	35066	35103	JM205149-A/ JM205110 VP			
39 From 11/1989	35058	35066	35103	HM212049 VP/ HM212011 VP ▲SET413	BR3782/ BR3720 ▲SET406		
Thru 10/1989	35058	35066	35103	HM212047 VP/ HM212011 VP ▲SET412	BR3782/ BR3720 ▲SET406	Inner	35062
40				JM720249/ JM720210	BR52375/ BR52637		

Navistar (School Bus) Axle Model Index

Model	Capacity	See	Line No.	Model	Capacity	See	Line No.
FA101			1	FA208			2
FA103			1	FA215			7
FA104			1	FA218			7
FA105			2	FA228			7
FA109 (1979 & up)			4	FA309			6
FA109 (Up to 1979)			3	FA329			6
FA118			4	FA337			4
FA119			8	FA339			4
FA127			4	FA340			4
FA136			5	FA71			8
FA139			4	FA73			8

For in-text symbols, see page 5A.

Mfr Line Number	Scotseal® PlusXL	Scotseal® Classic	Scotseal® Longlife	Inner (Cone/Cup)	Outer (Cone/Cup)	Grease Seal Location	Number
Navistar (School Bus)							
1				JM207049/ JM207010	BR28682/ BR28622 ▲ SET407		
2	35058	35066	35103	BR39581/ BR39520	BR3585/ BR3525		
3				BR641/ BR632	BR3979/ BR3920		
Thru 1978	44916	44922					
From 1979 S Series w/Cast Whls	45095	45103		BR641/ BR632	BR28682/ BR28622 ▲ SET407		
From 1979 S Series w/Disc Whls	44916	44922		BR641/ BR632	BR3979/ BR3920		
4				H715345 VP/ H715311 VP ▲ SET420	BR3979/ BR3920		
Thru 1978	44916	44922					
From 1979 S Series w/Cast Whls	45095	45103		H715345 VP/ H715311 VP ▲ SET420	555-S VP/ 552-A VP ▲ SET424		
From 1979 S Series w/Disc Whls	44916	44922		H715345 VP/ H715311 VP ▲ SET420	BR3979/ BR3920		
5	43761	43764		6461-A VP/ BR6420 ▲ SET423			
6	44916	44922		HM212049 VP/ HM212011 VP ▲ SET413			
7	35058	35066	35103	HM212047 VP/ HM212011 VP ▲ SET412	BR3782/ BR3720 ▲ SET406		
8	28759	28758		JM205149-A/ JM205110 VP	BR25877/ BR25820		

Oshkosh Axle Model Index

Model	Capacity	See	Line No.	Model	Capacity	See	Line No.
10338-F-5			3	F2044			1
1554-GA-1			5	F2055			1
15640-F-1			3	F2056			1
16800-F			3	H-1700			3
1747-J			4	W-1600			5
17896-F			3	W-1700			3
1888-G-4			5	W-212			4
1916-J			3	W-2200			5
19850-F			3	W-700			3
2346-F-3			3	W705			2
3908-F-2			3	W-900			5
F2034			1	W906-6x6			2

Mfr Line Number	Scotseal® PlusXL	Scotseal® Classic	Scotseal® Longlife	Inner (Cone/Cup)	Outer (Cone/Cup)	Grease Seal Location	Number
Oshkosh							
1						Inner 1511 Axle	53701
2						Axle Shaft W705	22492
						Axle Shaft W909-6X6	25065
						Inner	54972
3				BR687/ BR672 ▲SET499	BR687/ BR672 ▲SET499		
4				BR5760/ BR5735			
5				BR780/ BR772	BR687/ BR672 ▲SET499		

Peterbilt - See Axle Mfr.

REO - See Axle Mfr.

Rockwell - See Meritor

Spicer Axle Model Index

Model	Capacity	See	Line No.	Model	Capacity	See	Line No.
24-F	2300 lbs.		14	44-FBJ	3300 lbs.		22
25F	2000 lbs.		11	44-IF	3000 lbs.		14
25-F	2150 lbs.		14	44-IF-HD	3000 lbs.		17
27	2500 lbs.		1	44-IFS	3800 lbs.		20
27	2000 lbs.		11	44-IFS-HD	3850 lbs.		20
27-AF	2300 lbs.		14	50.5-IFS	4600 lbs.		23
27-F	2300 lbs.		14	60-3F	4500 lbs.		23
28-IFS	2790 lbs.		15	60-7F	4500 lbs.		23
30	2500 lbs.		1	60-F	4500 lbs.		23
30AF	2790 lbs.		11	70	7000 lbs.		3
30-AF	2500 lbs.		16	70-F	6000 lbs.		25
30F	2500 lbs.		11	E1000I	10000 lbs.		7
35-IFS	2800 lbs.		15	E1200I	12000 lbs.		7
44	3200 lbs.		2	EFA12F3	12000 lbs.		7
44-1F	3000 lbs.		11	EFA12F4	12000 lbs.		7
44-1F			14	I100S	10000 lbs.		7
441F-HD	3000 lbs.		17	I108	10800 lbs.		6
44-3CF	3000 lbs.		18	I120	12000 lbs.		9
44-3CF-HD	3000 lbs.		18	I120S	12000 lbs.		7
44-3F	3000 lbs.		13	I140S	14000 lbs.		7
44-5CF-HD	3500 lbs.		17	I160S	16000 lbs.		26
44-5F	3300 lbs.		19	I180S	18000 lbs.		8
44-6CF	3300 lbs.		12	I200S	20000 lbs.		10
44-6CF	3300 lbs.		20	I50	5000 lbs.		4
44-6CF-HD	3500 lbs.		17	I60	6000 lbs.		24
44-6E	3300 lbs.		21	I60S	6000 lbs.		24
44-6F	3300 lbs.		12	I75	7500 lbs.		5
44-6F	3300 lbs.		21	I80S	8000 lbs.		5
44-7F	3800 lbs.		14	I90	9000 lbs.		6
44-8F	3800 lbs.		19				
44-9F	3800 lbs.		20				
44F	3000 lbs.		13				

For in-text symbols, see page 5A.

Mfr Line Number	Scotseal® PlusXL	Scotseal® Classic	Scotseal® Longlife	Inner (Cone/Cup)	Outer (Cone/Cup)	Grease Seal Location	Number
Spicer							
1 Exc. FA3, FA13 From Ser. No. FC60131 and Ser. No. G165000				LM501349 VP/ LM501310 VP ▲BR35	LM501349 VP/ LM501310 VP ▲BR35	Axle Shaft	11846
Exc. FA3, FA13 Thru Ser. No. FC60130				BR18590/ BR18520	BR18590/ BR18520	Inner	21121
FA3, FA13				LM102949 VP/ LM102910 VP ▲BR50	LM501349 VP/ LM501310 VP ▲BR35	Inner	21101
						Inner	23300
2 Navistar - Exc. FA63				LM102949 VP/ LM102910 VP ▲BR50	LM501349 VP/ LM501310 VP ▲BR35	Axle Shaft	13165
Navistar - FA63				BR18690/ BR18620	LM102949 VP/ LM102910 VP ▲BR50	Inner	23300
						Axle Shaft	13165
						Inner	24875
3 Navistar - Exc. FA52				BR469/ 453-X VP	BR3780/ BR3720	Axle Shaft	
Navistar - FA52				BR28682/ BR28622 ▲SET407	LM104949 VP/ JLM104910	FA51	16816
						Inner	28275
						Inner	27470
4	28759	28758		JM205149-A/ JM205110 VP	BR25877/ BR25820		
5	28759	28758		JM207049-A VP/ JM207010	BR25877/ BR25820		
6	44916	44922		HM212049 VP/ HM212011 VP ▲SET413	BR28682/ BR28622 ▲SET407		
7	35058	35066 or 35072 ⁵	35103	HM212049 VP/ HM212011 VP ▲SET413	BR3782/ BR3720 ▲SET406		
8	28759	28758		HM212049 VP/ HM212011 VP ▲SET413	BR28682/ BR28622 ▲SET407		
9	45095	45103		H715345 VP/ H715311 VP ▲SET420	BR28682/ BR28622 ▲SET407		
10				6461-A VP/ BR6420 ▲SET423	BR3782/ BR3720 ▲SET406		
11				LM501349 VP/ LM501310 VP ▲BR35	LM501349 VP/ LM501310 VP ▲BR35		
12				LM603049 VP/ LM603011 ▲BR37	LM501349 VP/ LM501310 VP ▲BR35	Inner	24917

**A
P
P
L
I
C
A
T
I
O
N
S**

**T
R
A
I
L
E
R
,
T
A
G
&
P
U
S
H
E
R
A
X
L
E
S**

**F
R
O
N
T
A
X
L
E
S**

**D
R
I
V
E
A
X
L
E
S**

**M
E
D
I
U
M
T
R
U
C
K**

For in-text symbols, see page 5A.

Mfr Line Number	Scotseal® PlusXL	Scotseal® Classic	Scotseal® Longlife	Inner (Cone/Cup)	Outer (Cone/Cup)	Grease Seal Location	Number
-----------------	------------------	-------------------	--------------------	------------------	------------------	----------------------	--------

Spicer (continued)

13				BR18685/ BR18620	BR18685/ BR18620	Inner	22468
14 1962-1946				BR18590/ BR18520	BR18590/ BR18520	Inner	21101
1973-1963				LM501349 VP/ LM501310 VP ▲BR35	LM501349 VP/ LM501310 VP ▲BR35	Inner	21159
15				LM501349 VP/ LM501310 VP ▲BR35	LM501349 VP/ LM501310 VP ▲BR35	Inner	21400
16 Ford 1969-71				LM603049 VP/ LM603011 ▲BR37	LM501349 VP/ LM501310 VP ▲BR35	Inner	24914
1976-1974 Jeep				LM501349 VP/ LM501310 VP ▲BR35	LM501349 VP/ LM501310 VP ▲BR35	Inner	21159
Jeep 1977-86				LM102949 VP/ LM102910 VP ▲BR50	LM501349 VP/ LM501310 VP ▲BR35	Inner	23300
Jeep 1987-89						Inner	28646
17				368-A VP/ 382-A VP	LM501349 VP/ LM501310 VP ▲BR35	Inner	25075
18				LM603049 VP/ LM603011 ▲BR37	LM501349 VP/ LM501310 VP ▲BR35	Inner	24904
19				LM104949 VP/ JLM104910	LM501349 VP/ LM501310 VP ▲BR35	Inner	24910
20 1986-1980				LM603049 VP/ LM603011 ▲BR37	LM501349 VP/ LM501310 VP ▲BR35	Inner	24914
1988-1987 Auto. Locking Hub				LM603049 VP/ LM603011 ▲BR37	LM501349 VP/ LM501310 VP ▲BR35	Inner	24914
1988-1987 Man. Locking Hub				LM104949 VP/ LM104911 ▲BR38	LM104949 VP/ LM104911 ▲BR38	Inner	26747
1994-1989				LM603049 VP/ LM603011 ▲BR37	LM501349 VP/ LM501310 VP ▲BR35	Inner	24914
1996-1995				LM501349 VP/ LM501310 VP ▲BR35	LM501349 VP/ LM501310 VP ▲BR35	Inner	23276
21				LM603049 VP/ LM603011 ▲BR37	LM501349 VP/ LM501310 VP ▲BR35	Inner	24914

For in-text symbols, see page 5A.

Mfr Line Number	Scotseal® PlusXL	Scotseal® Classic	Scotseal® Longlife	Inner (Cone/Cup)	Outer (Cone/Cup)	Grease Seal Location	Number
Spicer (continued)							
22 1979-1975				LM501349 VP/ LM501310 VP ▲BR35		Inner	26153
1985-1980 Locking Hub ...				LM501349 VP/ LM501310 VP ▲BR35		Inner	24898
1985-1980 Non-Locking Hub.				LM501349 VP/ LM501310 VP ▲BR35		Inner	26153
1993-1986				LM501349 VP/ LM501310 VP ▲BR35		Inner	24914
23				387-A VP/ 382-A VP	LM104949 VP/ LM104911 ▲BR38	Inner	27471
24	28759	28758		JM205149-A/ JM205110 VP	BR25877/ BR25820		
25 1968-1958				BR469/ 453-X VP	BR28580/ BR28521	Inner	28276
1974-1969				387-A VP/ 382-A VP		Inner	28276
26	43761	43764		6461-A VP/ BR6420 ▲SET423	555-S VP/ 552-A VP ▲SET424		

Sterling Truck Axle Model Index

Model	Capacity	See	Line No.	Model	Capacity	See	Line No.
DD150			1	HA1304			2
DDS135			1	HB1204			2
DDS145			1	HB1904			1
DDS150			1	HB2254			1
HA1204			2	HG1204			2

Mfr Line Number	Scotseal® PlusXL	Scotseal® Classic	Scotseal® Longlife	Inner (Cone/Cup)	Outer (Cone/Cup)	Grease Seal Location	Number
Sterling Truck							
1						Axle Shaft DDS150, DD150	22446
						Axle Shaft Exc. DDS150, DD150	25043
2						Axle Shaft	19886

Twin Coach Truck Axle Model Index

Model	Capacity	See	Line No.	Model	Capacity	See	Line No.
34S			1	38S			1
34SW			1	40GTT			1
35G			1	40R			1
35R			1	41S			1
35S			1	44D			1

For in-text symbols, see page 5A.

Twin Coach Truck Axle Model Index (continued)

Model	Capacity	See	Line No.	Model	Capacity	See	Line No.
44GTT			1	45S			1
44R			1	50S			1
44S			1	52S			1
44TT			1	52S2			1
44TTW			1	58D			1

Mfr Line Number	Scotseal® PlusXL	Scotseal® Classic	Scotseal® Longlife	Inner (Cone/Cup)	Outer (Cone/Cup)	Grease Seal Location	Number
--------------------	---------------------	----------------------	-----------------------	---------------------	---------------------	-------------------------	--------

Twin Coach Truck

1						Inner	40078
---	--	--	--	--	--	-------	-------

Volvo Axle Model Index

Model	Capacity	See	Line No.	Model	Capacity	See	Line No.
B58 BUS			6	F7			3
B59 BUS			6	F86			6
F10			6	F88			6
F12			6	F89			6
F607			1	F8G			3
F609			1	FA75			5
F610			1	FT6			6
F611			2	N10			3
F612			2	N12			6
F613			2	N7			6
F614			2				
F615			4				
F616			3				

Mfr Line Number	Scotseal® PlusXL	Scotseal® Classic	Scotseal® Longlife	Inner (Cone/Cup)	Outer (Cone/Cup)	Grease Seal Location	Number
--------------------	---------------------	----------------------	-----------------------	---------------------	---------------------	-------------------------	--------

Volvo

1				BR32210	BR32207	Inner F609	33425
2				JM207049/ JM207010	BR32208		
				BR32211	BR32208		
3				BR32211	BR32208		
				BR6386/ BR6320			
					BR39580/ BR39520		
4				HM212044 VP/ HM212011 VP	JM205149 VP/ JM205110 VP		
5	39426						
6				BR6386/ BR6320	BR663/ BR653 ▲SET405		

Volvo/GMC - See Axle Mfr.

Walter Equip. - See Axle Mfr.

Ward LaFrance Axle Model Index

Model	Capacity	See	Line No.	Model	Capacity	See	Line No.
FD1			1	FD2			1

Mfr Line Number	Scotseal® PlusXL	Scotseal® Classic	Scotseal® Longlife	Inner (Cone/Cup)	Outer (Cone/Cup)	Grease Seal Location	Number
--------------------	---------------------	----------------------	-----------------------	---------------------	---------------------	-------------------------	--------

Ward LaFrance

1							Axle Shaft 22446
---	--	--	--	--	--	--	------------------------

Western Star - See Axle Mfr.

Westport Axle Model Index

Model	Capacity	See	Line No.	Model	Capacity	See	Line No.
F3W-1200			1	F6W-1200			1
F3W-1400			1	F6W-1400			1

Mfr Line Number	Scotseal® PlusXL	Scotseal® Classic	Scotseal® Longlife	Inner (Cone/Cup)	Outer (Cone/Cup)	Grease Seal Location	Number
--------------------	---------------------	----------------------	-----------------------	---------------------	---------------------	-------------------------	--------

Westport

1	35058	35066	35103	HM212047 VP/ HM212011 VP ▲SET412	BR3782/ BR3720 ▲SET406		
---	-------	-------	-------	--	------------------------------	--	--

White Axle Model Index

Model	Capacity	See	Line No.	Model	Capacity	See	Line No.
10000	10000 lbs.		1	64DD			7
106D			1	740			5
107D			1	74D			5
108D			3	79D	15000 lbs.		6
109D			3	8000	8000 lbs.		5
110D			3	81D	11000 lbs.		2
111D			3	82D	9000 lbs.		8
114D			5	86D			11
115D			5	90D	16000 lbs.		9
115DL			5	F3-100	10000 lbs.		1
116D			3	F3-120	12000 lbs.		3
116DL			3	F3-140	14000 lbs.		3
116DX			3	F3-8	8000 lbs.		5
119D			1	F3-80	8000 lbs.		5
12000	12000 lbs.		3	F3W-100	10000 lbs.		1
121D			3	F3W-108	10000 lbs.		2
122D			3	F3W-120	12000 lbs.		3
123D			5	F3W-1200	12000 lbs.		4
124D			1	F3W-125	12500 lbs.		4
125D			3	F3W-140	14000 lbs.		3
126D			3	F3W-1400	14000 lbs.		4
127D			3	F3W-141	14000 lbs.		4
12D	15000 lbs.		6	F3W-80	8000 lbs.		5
14000	14000 lbs.		3	F5-100	10000 lbs.		1
160			5	F5-120	12000 lbs.		3
16D			5	F5-140	14000 lbs.		3
230			5	F5-75	7500 lbs.		5
23D			5	F5-80	8000 lbs.		5
24D			1	F5W-100	10000 lbs.		1
30D			5	F5W-120	12000 lbs.		3
39D			5	F5W-140	14000 lbs.		3
40D			1	F5W-80	8000 lbs.		5
58D			5	F6W-100	10000 lbs.		1
59D			1	F6W-108	10000 lbs.		2
60D			1	F6W-120	12000 lbs.		3
60DF			1	F6W-1200	12000 lbs.		4
64D			7	F6W-125	12500 lbs.		4
64DB			7	F6W-140	14000 lbs.		3

White Axle Model Index (continued)

Model	Capacity	See	Line No.	Model	Capacity	See	Line No.
F6W-1400	14000 lbs.		4	FL931			10
F6W-141	14000 lbs.		4	FL933			10
FF931 (9/81 & Later)			12				
FF933 (9/81 & Later)			12				
FG933 (9/81 & Later)			12				

Mfr Line Number	Scotseal® PlusXL	Scotseal® Classic	Scotseal® Longlife	Inner (Cone/Cup)	Outer (Cone/Cup)	Grease Seal Location	Grease Seal Number
-----------------	------------------	-------------------	--------------------	------------------	------------------	----------------------	--------------------

White

1		35060		HM212046/ HM212011 VP		Inner - 4.254" O.D. 31227 Inner - 5.004" O.D. 31955	
2	From 1959	35058	35066 or 35072 ⁵	35103	HM212044 VP/ HM212011 VP	BR3782/ BR3720 ▲SET406	Inner 35062
	Thru 1958	35058	35066 or 35072 ⁵	35103	557-A/ 553-X	BR3782/ BR3720 ▲SET406	Inner 35062
3			36285		HM212049 VP/ HM212011 VP ▲SET413	BR3782/ BR3720 ▲SET406	Inner 37532
4	.14" Cone Front Face Radius	35058	35066 or 35072 ⁵	35103	HM212049 VP/ HM212011 VP ▲SET413	BR3782/ BR3720 ▲SET406	
	.28" Cone Front Face Radius	35058	35066 or 35072 ⁵	35103	HM212049-X VP/ HM212011 VP ▲SET439	BR3782/ BR3720 ▲SET406	
5			31244				Inner 32501
6	.17" Cone Front Face Radius		39380		BR6386/ BR6320		Inner Seal Kit 1321
	.25" Cone Front Face Radius		39380		BR6389/ BR6320		Inner Seal Kit 1321
7					BR3578/ BR3525	BR2689/ BR2631	Inner 22565
8		35058	35066 or 35072 ⁵	35103	BR39581/ BR39520	BR3585/ BR3525	Inner 35062
9	4.330" Outer Brg. O.D.	43761	43764		6461-A VP/ BR6420 ▲SET423	BR3979/ BR3920	Inner 43762
	4.813" Outer Brg. O.D.	43761	43764		6461-A VP/ BR6420 ▲SET423	555-S VP/ 552-A VP ▲SET424	Inner 43762
10		43761	43764		6461-A VP/ BR6420 ▲SET423	555-S VP/ 552-A VP ▲SET424	
11					BR3778/ BR3720	BR2790/ BR2720	

For in-text symbols, see page 5A.

Mfr Line Number	Scotseal® PlusXL	Scotseal® Classic	Scotseal® Longlife	Inner (Cone/Cup)	Outer (Cone/Cup)	Grease Seal Location	Number
--------------------	---------------------	----------------------	-----------------------	---------------------	---------------------	-------------------------	--------

White (continued)

12	35058	35066	35103	HM212047 VP/ HM212011 VP ▲SET412	BR3782/ BR3720 ▲SET406		
-------------	-------	-------	-------	--	------------------------------	--	--

**A
P
P
L
I
C
A
T
I
O
N
S**

**T
R
A
I
L
E
R
,
T
A
G
&
P
U
S
H
E
R
A
X
L
E
S**

**F
R
O
N
T
A
X
L
E
S**

**D
R
I
V
E
A
X
L
E
S**

**M
E
D
I
U
M
T
R
U
C
K**

NOTES

TRAILER, TAG &
PUSHER AXLES

FRONT
AXLES

DRIVE
AXLES

MEDIUM
TRUCK

ACF Axle Model Index

Model	Capacity	See	Line No.	Model	Capacity	See	Line No.
26S			8	C36			2
26U			8	C40			3
29P			9	C44			4
29PB			9	C48			5
31S			10	C51			5
37P			6	H16			6
37PA			6	H16S			6
37PB			6	H16SE			6
37PBS			4	H9			6
41S			2	IC37			2
45S			4	IC41			2
C27			1	IC41A			2
C27B			1	P372			3
C31			1	SU37			1
C31B			1	TC44			7

Mfr Line Number	Scotseal® PlusXL	Scotseal® Classic	Scotseal® Longlife	Inner (Cone/Cup)	Outer (Cone/Cup)	Grease Seal Location	Number
--------------------	---------------------	----------------------	-----------------------	---------------------	---------------------	-------------------------	--------

ACF

1						Outer Seal Kit 25160 Inner 39385	
2						Axle Shaft - C36 22492 Axle Shaft IC41 23152 Inner 46200	
3		42800					
4						Axle Shaft - C44 23152 Inner 45140	
5						Inner Seal Kit 4.766" Shaft 1255 Outer Seal Kit 31378 Inner Seal Kit 4.824" Shaft 54930	
6						Axle Shaft 23152	
7						Axle Shaft 24931 Inner 54972	
8						Inner 31284	
9	40129	40136					
10						Axle Shaft 15039	

Aerocoach Axle Model Index

Model	Capacity	See	Line No.	Model	Capacity	See	Line No.
373			2	P411			3
P29			1	P45-37			1
P33			1	P46-37			1
P37			1	T361			2
P372			3	T451			3
P373			3				

TRAILER, TAG & PUSHER AXLES

FRONT AXLES

DRIVE AXLES

MEDIUM TRUCK

Mfr Line Number	Scotseal® PlusXL	Scotseal® Classic	Scotseal® Longlife	Inner (Cone/Cup)	Outer (Cone/Cup)	Grease Seal Location	Number
Aerocoach							
1						Axle Shaft	18733
2		42800					
3						Inner Seal Kit 4.766" Shaft	1255
						Outer Seal Kit	31378
						Inner Seal Kit 4.824" Shaft	54930

American LaFrance - See Axle Mfr.

ArvinMeritor (School Bus) Axle Model Index

Model	Capacity	See	Line No.	Model	Capacity	See	Line No.
B1055			1	H151			1
BH150			1	H153			1
C100			2	H156			1
D100			2	H170			1
D140			2	H172			4
DBB1300			1	H173			4
E100			2	H175			3
E102			2	H200			1
E105			2	H240			1
E150			2	H300 (Thru 1981)			1
E155			2	H301			1
E200			2	H310			1
E300			2	H320			1
E302			2	H340 (Thru 1981)			1
F104			3	H350			1
F106			3	H370			1
F145			3	L155			4
F245			3	L172			4
F345			3	RS13120			3
H100			1	RS15210			3
H110			1	RS17140			4
H120			1	RS17220			4
H140			1				
H150			1				

Mfr Line Number	Scotseal® PlusXL	Scotseal® Classic	Scotseal® Longlife	Inner (Cone/Cup)	Outer (Cone/Cup)	Grease Seal Location	Number
ArvinMeritor (School Bus)							
1		39420		495-AX VP/ BR493	BR3984/ BR3920		
2		31323		BR3984/ BR3920			
3	34384	34387		BR33287/ BR33462	BR3982/ BR3920		
4	38776	38780		BR47686/ BR47620 ▲ SET411	BR39590/ BR39520 ▲ SET408		

Autocar Axle Model Index

Model	Capacity	See	Line No.	Model	Capacity	See	Line No.
C20			1	C95			3
C7062			2	C95T			3
C80			3	D100			3
C8044			4	DC100			3
C8064			4	DC100T			3
C80T			3	DC103D			6
C80TB			3	DC103D-OH			6
C80TS			3	DC20			1
C85			3	U20			1
C85T			3	U8064			4
C90			3	U90			3
C9064			5	U9064			5
C90D			3	U90D			3
C90T			3	U90T			3

Mfr Line Number	Scotseal® PlusXL	Scotseal® Classic	Scotseal® Longlife	Inner (Cone/Cup)	Outer (Cone/Cup)	Grease Seal Location	Number
--------------------	---------------------	----------------------	-----------------------	---------------------	---------------------	-------------------------	--------

Autocar

1							
	40129	40136					
2						Inner Seal Kit 4.766" Shaft	1255
						Inner Seal Kit 4.824" Shaft	54930
3						Outer	25597
4						Axle Shaft	22492
5						Axle Shaft	24286
6						Inner	29887

Available Axle Model Index

Model	Capacity	See	Line No.	Model	Capacity	See	Line No.
250			1	600			3
400			2	601			3
500			2	602			3
550			3	610			3
550X			3	620			3
560			3	630			4
560S			2	660S			3

Mfr Line Number	Scotseal® PlusXL	Scotseal® Classic	Scotseal® Longlife	Inner (Cone/Cup)	Outer (Cone/Cup)	Grease Seal Location	Number
--------------------	---------------------	----------------------	-----------------------	---------------------	---------------------	-------------------------	--------

Available

1						Inner	39385
						Outer Seal Kit	25160
2		42800					

TRAILER, TAG & PUSHER AXLES

FRONT AXLES

DRIVE AXLES

MEDIUM TRUCK

Mfr Line Number	Scotseal® PlusXL	Scotseal® Classic	Scotseal® Longlife	Inner (Cone/Cup)	Outer (Cone/Cup)	Grease Seal Location	Number
--------------------	---------------------	----------------------	-----------------------	---------------------	---------------------	-------------------------	--------

Available (continued)

3						Inner Seal Kit 4.766" Shaft	1255
						Outer Seal Kit 8 Bolt Holes	31378
						Inner Seal Kit 4.824" Shaft	54930
4						Inner Seal Kit 4.766" Shaft	1255
						Inner Seal Kit 4.824" Shaft	54935

Bluebird - See Axle Mfr.

Boyertown - See Axle Mfr.

Brockway Axle Axle Model Index

Model	Capacity	See	Line No.	Model	Capacity	See	Line No.
18 Series			1	D380 Series			1
27 Series			2	SFDD4640			3
35 Series			3	SUDD			3
38D			1				

Mfr Line Number	Scotseal® PlusXL	Scotseal® Classic	Scotseal® Longlife	Inner (Cone/Cup)	Outer (Cone/Cup)	Grease Seal Location	Number
--------------------	---------------------	----------------------	-----------------------	---------------------	---------------------	-------------------------	--------

Brockway Axle

1 4.375" Shaft		43860		BR598/ 592-A VP	BR575/ BR572		
4.766" Shaft	◇ 47692 (Reorder:) 47691	47697	47693	598-A VP/ 592-A VP ▲SET404	BR580/ BR572 ▲SET401		
2	45157	45160		BR594/ 592-A VP	BR580/ BR572 ▲SET401		
3		48884		BR760/ BR752	BR749/ BR742		

Brockway Truck Axle Model Index

Model	Capacity	See	Line No.	Model	Capacity	See	Line No.
146W			1	166			3
148W			1	170X			4
151W			1	175X			3
152BB			1	195X			3
152W96			1	220X			5
153BB			1	260SQ			2
153SQ			1	260X			5
153W			1	260XL			2
165			3	260XW			2
165X			3	260XWL			2

For in-text symbols, see page 5A.

Mfr Line Number	Scotseal® PlusXL	Scotseal® Classic	Scotseal® Longlife	Inner (Cone/Cup)	Outer (Cone/Cup)	Grease Seal Location	Number
1						Inner Seal Kit 4.766" Shaft	1255
						Inner Seal Kit 4.824" Shaft	54930
2						Inner Seal Kit 4.766" Shaft	1256
						Inner Seal Kit 4.824" Shaft	54935
3						Axle Shaft	22446
4						Inner	36314
						Outer	19300
5						Inner	25043

Brown Axle Model Index

Model	Capacity	See	Line No.	Model	Capacity	See	Line No.
KP			1	LS			1
KT			1	LT			1
LP			1	TR6572			1

Mfr Line Number	Scotseal® PlusXL	Scotseal® Classic	Scotseal® Longlife	Inner (Cone/Cup)	Outer (Cone/Cup)	Grease Seal Location	Number
1						Inner Seal Kit 4.766" Shaft	1255
						Outer Seal Kit	31378
						Inner Seal Kit 4.824" Shaft	54930

Capacity - See Axle Mfr.

Champion Motors - See Axle Mfr.

Chevrolet - See GMC

Clark Axle Model Index

Model	Capacity	See	Line No.	Model	Capacity	See	Line No.
R1250			1	RD-22500			2

Mfr Line Number	Scotseal® PlusXL	Scotseal® Classic	Scotseal® Longlife	Inner (Cone/Cup)	Outer (Cone/Cup)	Grease Seal Location	Number
1		38709		BR42688/ BR42620	BR39585/ BR39520		

Mfr Line Number	Scotseal® PlusXL	Scotseal® Classic	Scotseal® Longlife	Inner (Cone/Cup)	Outer (Cone/Cup)	Grease Seal Location	Number
--------------------	---------------------	----------------------	-----------------------	---------------------	---------------------	-------------------------	--------

Clark (continued)

2				BR685/ BR672	BR48190/ BR48120		
---	--	--	--	-----------------	---------------------	--	--

Coleman Axle Model Index

Model	Capacity	See	Line No.	Model	Capacity	See	Line No.
SD12			1	SD9			1

Mfr Line Number	Scotseal® PlusXL	Scotseal® Classic	Scotseal® Longlife	Inner (Cone/Cup)	Outer (Cone/Cup)	Grease Seal Location	Number
--------------------	---------------------	----------------------	-----------------------	---------------------	---------------------	-------------------------	--------

Coleman

1				BR36690/ BR36620	BR36690/ BR36620		
---	--	--	--	---------------------	---------------------	--	--

Crane Carrier - See Axle Mfr.

Crown Coach - See Axle Mfr.

Dana - See Spicer

Dart - See Axle Mfr.

Daybrook Ottawa - See Axle Mfr.

Diamond Reo - See Axle Mfr.

Diamond T Axle Model Index

Model	Capacity	See	Line No.	Model	Capacity	See	Line No.
201			2	723C			4
222			2	723CJT			4
244S			2	730			4
3000			1	734			4
301			2	738			4
304			2	738R			6
306			2	810H			7
306C			2	830			4
306H			2	831			4
306SC			2	838			4
307			2	920			5
322			2	921BR			5
323			2	921CNT			5
323C			2	921DBN			7
401			2	921FN			5
404			2	921N			5
404C			2	921NT			5
422			2	923			4
422C			2	923C			4
4 Ton Wrecker			3	950			7
520			2	951			7
620			2	951S			7
720			4	D3000			1
720C			4				
722			5				
723			4				

For in-text symbols, see page 5A.

Mfr Line Number	Scotseal® PlusXL	Scotseal® Classic	Scotseal® Longlife	Inner (Cone/Cup)	Outer (Cone/Cup)	Grease Seal Location	Number
1						Outer Seal Kit	25160
						Inner	39385
2						Inner - Clark R656 Axle	31250
						Inner - Clark R1000 Axle	31870
						Inner - Clark R1250 Axle	38703
3						Inner	25043
4						Inner - Square Hsg. Exc. R-S Ends	38777
						Inner - Round Hsg. Exc. R-S Ends	43820
5						Inner - Seal Kit w/4.766" Shaft	1255
						Outer Seal Kit 8 Bolt Holes	31378
						Inner - Seal Kit w/4.824" Shaft	54930
6						Inner	38777
7						Inner Seal Kit 4.766" Shaft	1256
						Inner Seal Kit 4.824" Shaft	54935

Divco (Correct Mfg. Co.) - See Axle Mfr.

Dodge Axle Model Index

Model	Capacity	See	Line No.	Model	Capacity	See	Line No.
1315	13000 lbs.	5	17121	18500 lbs.	Meritor LT310	
1350	15000 lbs.	Eaton 1350		1719A	18500 lbs.	Meritor LT310	
1350A5	5	17200	18500 lbs.	Eaton 17200	
13800	15000 lbs.	Eaton 13800		17220	18500 lbs.	Eaton 17220	
13802	15000 lbs.	Eaton 13802		17221	18500 lbs.	Meritor LT310	
13803	15000 lbs.	Eaton 13803		17800	18500 lbs.	Eaton 17800	
15201	15000 lbs.	Eaton 15201		17801	15500 lbs.	Meritor LT310	
15 Series	5	1790	18500 lbs.	Eaton 1790	
1614	17000 lbs.	Eaton 1614		1790A	18500 lbs.	Eaton 1790A	
1618	17000 lbs.	Meritor H140		1791	18500 lbs.	Meritor LT310	
1619	17000 lbs.	Meritor H140		1791A	18500 lbs.	Meritor LT310	
16220	17000 lbs.	Eaton 16220		17 Series	8
16221	17000 lbs.	Eaton 16221		18100	22000 lbs.	3
16244	17500 lbs.	Eaton 16244		18101	22000 lbs.	3
16600	16000 lbs.	Eaton 16600		18120	22000 lbs.	3
16601	16000 lbs.	Eaton 16601		18121	22000 lbs.	Eaton 18121	
16800	16000 lbs.	7	18200	22000 lbs.	Eaton 18200	
16801	16000 lbs.	7	18201	22000 lbs.	3
16802	16000 lbs.	Eaton 16802		18220	22000 lbs.	Eaton 18220	
16803	16000 lbs.	Eaton 16803		18221	22000 lbs.	Eaton 18221	
16 Series	7	18301	22000 lbs.	3
17120	18500 lbs.	Eaton 17120		18302	22000 lbs.	3

Dodge Axle Model Index (continued)

Model	Capacity	See	Line No.	Model	Capacity	See	Line No.
1880	22000 lbs.		3	AY3			1
1881	22000 lbs.		3	BY3			1
18812	22000 lbs.		3	F140D	13500 lbs.	Meritor F140D	
18 Series			3	F147	15000 lbs.	Meritor F147	
1910	23000 lbs.		6	H100	17000 lbs.	Meritor H100	
1911	23000 lbs.		6	H120	17000 lbs.	Meritor H120	
19120	22000 lbs.	Eaton 19120		H141	17000 lbs.	Meritor H141	
19121	22000 lbs.	Eaton 19121		H161	18000 lbs.	Meritor H161	
1918	23000 lbs.		6	H170	17500 lbs.	Meritor H170	
1919	24000 lbs.	Eaton 1919		H172	17500 lbs.	Meritor H172	
19220	23000 lbs.	Eaton 19220		H320	17000 lbs.	Meritor H320	
19221	23000 lbs.	Eaton 19221		H341	17000 lbs.	Meritor H341	
19800	23000 lbs.		6	L100	18500 lbs.	Meritor L100	
19801	24000 lbs.	Eaton 19801		L110	18500 lbs.		4
19 Series			10	L140	18500 lbs.	Meritor L140	
30D			7	L145	18500 lbs.	Meritor L145	
30DS	32000 lbs.	Eaton 30DS		L148	18500 lbs.	Meritor L148	
30DSC	30000 lbs.	Meritor H101		L172	18500 lbs.	Meritor L172	
30RS	32000 lbs.	Eaton 30RS		L200	18500 lbs.	Meritor L200	
30RSC	30000 lbs.	Meritor H101		L245	18500 lbs.	Meritor L245	
34D			8	L300	18500 lbs.	Meritor L300	
34D3	34000 lbs.	Eaton 34D3		L340	18500 lbs.	Meritor L340	
34D3B	34000 lbs.	Meritor LT310		L345	18500 lbs.	Meritor L345	
34D3C	34000 lbs.	Meritor LT310		Q100	22000 lbs.	Meritor Q100	
34DS	34000 lbs.	Eaton 34DS		Q145	22000 lbs.	Meritor Q145	
34DSC	34000 lbs.	Meritor LT310		Q200	22000 lbs.	Meritor Q200	
34R3	34000 lbs.	Eaton 34R3		Q300	22000 lbs.	Meritor Q300	
34RS	34000 lbs.	Eaton 34RS		Q345	22000 lbs.	Meritor Q345	
34RSC	34000 lbs.	Meritor LT310		QT140	22000 lbs.	Meritor QT140	
38D	38000 lbs.		3	QT145	22000 lbs.	Meritor QT145	
38D3	38000 lbs.		3	QT300	22000 lbs.	Meritor QT300	
38D3B	38000 lbs.		3	QT340	22000 lbs.	Meritor QT340	
38D3C	38000 lbs.		3	R100	23000 lbs.	Meritor R100	
38D3D	38000 lbs.		3	R140	23000 lbs.	Meritor R140	
38D3E	38000 lbs.		3	R170	23000 lbs.	Meritor R170	
38DP	38000 lbs.		3	R200	23000 lbs.	Meritor R200	
38DPC	38000 lbs.		3	R300	24000 lbs.	Meritor R300	
38DPE	38000 lbs.		3	R300A	23000 lbs.	Meritor R300A	
38DS	38000 lbs.	Eaton 38DS		RA115	11500 lbs.		2
38DSC	38000 lbs.		3	RL170	18000 lbs.	Meritor RL170	
38DSE	38000 lbs.		3	RQ Series			3
38DT	38000 lbs.		3	RSH Series			7
38DTC	38000 lbs.		3	RSL155			8
38DTE	38000 lbs.		3	RT140	23000 lbs.	Meritor RT140	
38R3	38000 lbs.		3	RT240	23000 lbs.	Meritor RT240	
38R3C	38000 lbs.		3	RT340	23000 lbs.	Meritor RT340	
38R3E	38000 lbs.		3	R/W L155			11
38RP	38000 lbs.		3	R/W Q Series			9
38RPC	38000 lbs.		3	R/W R Series			9
38RPE	38000 lbs.		3	SDHD	22000 lbs.	Meritor SDHD	
38RS	38000 lbs.	Eaton 38RS		SHHD	32000 lbs.	Meritor SHHD	
38RSC	38000 lbs.		3	SLHD	34000 lbs.	Meritor SLHD	
38RSE	38000 lbs.		3	SQHD	38000 lbs.	Meritor SQHD	
38RT	38000 lbs.		3	SSHHD	44000 lbs.	Meritor SSHHD	
38RTC	38000 lbs.		3				
38RTE	38000 lbs.		3				
8802	22000 lbs.	Eaton 8802					
8803	22000 lbs.		3				

Mfr Line Number	Scotseal® PlusXL	Scotseal® Classic	Scotseal® Longlife	Inner (Cone/Cup)	Outer (Cone/Cup)	Grease Seal Location	Grease Seal Number
Dodge							
1		47690		594-A VP/ 592-A VP ▲SET403	BR580/ BR572 ▲SET401		

For in-text symbols, see page 5A.

Mfr Line Number	Scotseal® PlusXL	Scotseal® Classic	Scotseal® Longlife	Inner (Cone/Cup)	Outer (Cone/Cup)	Grease Seal Location	Number
Dodge (continued)							
2		32470		BR3984/ BR3920	BR462/ 453-X VP	Inner	31855
3	◇ 47692 (Reorder:) 47691	47697 or 47698 ⁵ 43860	47693	BR598/ 592-A VP BR598/ 592-A VP	BR575/ BR572 BR575/ BR572		
4		39380		663-A/ BR653	BR42687/ BR42620		
		42800		663-A/ BR653	BR42687/ BR42620		
5	34384	34387		BR33287/ BR33462	BR3982/ BR3920		
6		45152		BR594/ 592-A VP	BR580/ BR572 ▲ SET401		
7		38709		BR42688/ BR42620	BR39585/ BR39520		
8		38750		BR47686/ BR47620 ▲ SET411	BR39590/ BR39520 ▲ SET408		
9	◇ 47692 (Reorder:) 47691	47697	47693	598-A VP/ 592-A VP ▲ SET404	BR580/ BR572 ▲ SET401		
10	◇ 47692 (Reorder:) 47691	47697	47693	BR594/ 592-A VP	BR580/ BR572 ▲ SET401		
11	38776	38780		BR47686/ BR47620 ▲ SET411	BR39590/ BR39520 ▲ SET408		

Duplex Axle Model Index

Model	Capacity	See	Line No.	Model	Capacity	See	Line No.
FA824			1	LC600-4			1
K50T			2	RH6			4
L			2	R Series			3
L6602			2	SH529			2
L6602-4			1	T380			5
LC600			2	TH339			4

Mfr Line Number	Scotseal® PlusXL	Scotseal® Classic	Scotseal® Longlife	Inner (Cone/Cup)	Outer (Cone/Cup)	Grease Seal Location	Number
Duplex							
1						Outer	25043
						Inner	47395
2						Inner Seal Kit	
						4.766" Shaft	1256
						Inner Seal Kit	
						4.824" Shaft	54935
3						Inner Seal Kit	
						4.766" Shaft	1255
						Inner Seal Kit	
						4.824" Shaft	54930
4		42800				Outer - 2.250"	
4.266" Shaft						Shaft	22492
5						Outer Seal Kit	25160
						Inner	39385

Eagle - See Axle Mfr.

Eaton Axle Model Index

Model	Capacity	See	Line No.	Model	Capacity	See	Line No.
0502			50	1614	16000 lbs.		19
0503			50	1615	16000 lbs.		19
1204	12000 lbs.		10	1618	16000 lbs.		19
1206	12000 lbs.		51	1619	16000 lbs.		19
1250	12000 lbs.		9	1620	16000 lbs.		20
1265	12000 lbs.		10	16220	17000 lbs.		21
1275	12000 lbs.		10	162201			42
1277	12000 lbs.		10	16220-1			66
1280	12000 lbs.		11	16221	17000 lbs.		21
1281	12000 lbs.		11	16244	17500 lbs.		21
1295	12000 lbs.		11	16247	17500 lbs.		36
1300	13000 lbs.		11	16320	17000 lbs.		53
13000	15000 lbs.		12	163201	17000 lbs.		56
13100	15000 lbs.		12	16320-1			66
13101	15000 lbs.		12	16321	17000 lbs.		53
1315	15000 lbs.		51	16344	17000 lbs.		56
1350	13000 lbs.		13	16500	16000 lbs.		21
13600	15000 lbs.		14	16501	16000 lbs.		21
13602	15000 lbs.		14	16600	16000 lbs.		21
13800	15000 lbs.		15	16601	16000 lbs.		21
13802	15000 lbs.		16	16800	16000 lbs.		21
13803	15000 lbs.		16	16801	16000 lbs.		21
15040P	15000 lbs.		54	16802	16000 lbs.		21
15040S	15000 lbs.		17	16803	16000 lbs.		21
15040T	15000 lbs.		17	17000	17000 lbs.		22
15101	15000 lbs.		17	17001	18500 lbs.		57
15121	15000 lbs.		17	17100	17000 lbs.		23
15201	15000 lbs.		16	171001			61
15301	15000 lbs.		54	17100-1			67
16000	17000 lbs.		18	17101	17000 lbs.		23
16001	16000 lbs.		55	17120	18500 lbs.		23
16050	17000 lbs.		18	171201			61
16051	17000 lbs.		18	17120-1			67
16120	17000 lbs.		19	17121	17000 lbs.		23
161201			42	1715	18500 lbs.		23
16120-1			66	1716	18500 lbs.		23
16121	17000 lbs.		19	17200	19000 lbs.		23
16122	17000 lbs.		19	172001			61
16124			56	17200-1			67

For in-text symbols, see page 5A.

Eaton Axle Model Index (continued)

Model	Capacity	See	Line No.	Model	Capacity	See	Line No.
17201	19000 lbs.	23	18321	22000 lbs.	59
17202	19000 lbs.	23	18322	22000 lbs.	24
17207	18500 lbs.	36	18500	22000 lbs.	1
17220	18500 lbs.	23	18501	22000 lbs.	1
17220-1	67	18502	22000 lbs.	47
17221	18500 lbs.	23	18503	22000 lbs.	47
17222	18500 lbs.	57	1860	21000 lbs.	48
17227	18500 lbs.	36	18600	22000 lbs.	1
17300	18500 lbs.	61	18601	22000 lbs.	1
173001	61	1861	22000 lbs.	1
17300-1	67	1862	22000 lbs.	1
17301	18500 lbs.	61	1863	22000 lbs.	1
17302	18500 lbs.	23	18700	22000 lbs.	1
17320	18500 lbs.	61	18701	22000 lbs.	1
173201	61	1880	22000 lbs.	1
17320-1	67	18800	22000 lbs.	1
17321	23	18802	22000 lbs.	1
17321	17000 lbs.	23	18803	22000 lbs.	1
17400	23	1881	22000 lbs.	1
17401	17000 lbs.	23	18812	23000 lbs.	8
17421	17000 lbs.	23	18812-3	22000 lbs.	3
17500	18500 lbs.	23	188123	22000 lbs.	47
17501	18500 lbs.	23	18813	23000 lbs.	8
17600	18500 lbs.	23	1890	22000 lbs.	1
17601	18500 lbs.	23	1891	22000 lbs.	1
17700	18500 lbs.	23	1892	22000 lbs.	1
17701	18500 lbs.	23	1893	22000 lbs.	1
1780	18500 lbs.	22	1895	22000 lbs.	1
17800	18500 lbs.	23	1896	22000 lbs.	1
17801	18500 lbs.	23	18 Series (Van Hool Bus)	69
17802	23	1900	22000 lbs.	62
17810	18500 lbs.	23	19000 Series	60
17811	18500 lbs.	57	19001	22000 lbs.	52
17815	18500 lbs.	23	19050P	19000 lbs.	41
1790	18500 lbs.	23	19050S	19000 lbs.	2
17901	18500 lbs.	41	19050T	19000 lbs.	2
1790A	18500 lbs.	23	19055D	19000 lbs.	41
1791	18500 lbs.	23	19055S	19000 lbs.	41
1791A	18500 lbs.	23	19055T	19000 lbs.	41
1792	18500 lbs.	23	1910	23000 lbs.	25
1793	18500 lbs.	23	19100	22000 lbs.	24
1795	18500 lbs.	15	19100-1	73
1796	18500 lbs.	23	19101	22000 lbs.	24
1800	19000 lbs.	41	1911	23000 lbs.	25
18000 Series	68	19120	23000 lbs.	25
1801	19000 lbs.	41	191201	60
1802	19000 lbs.	48	19121	22000 lbs.	25
1803	19000 lbs.	48	1918	23000 lbs.	25
18100	22000 lbs.	24	1919	24000 lbs.	25
181001	22000 lbs.	47	19200	23000 lbs.	24
18100-1	22000 lbs.	73	192001	60
18101	22000 lbs.	24	19201	23000 lbs.	24
18120	22000 lbs.	3	19202	23000 lbs.	25
181201	22000 lbs.	47	19220	23000 lbs.	25
18120-1	22000 lbs.	73	19220-1	73
18121	22000 lbs.	24	19221	23000 lbs.	25
18200	22000 lbs.	24	19300	23000 lbs.	47
182001	22000 lbs.	47	193001	60
18200-1	22000 lbs.	73	19300-1	73
18201	22000 lbs.	24	19301	23000 lbs.	25
18202	22000 lbs.	24	19320	23000 lbs.	47
18207	22000 lbs.	36	193201	60
18220	22000 lbs.	24	19320-1	73
18221	22000 lbs.	24	19321	23000 lbs.	47
18222	22000 lbs.	24	19400	23000 lbs.	47
18227	22000 lbs.	36	19420	23000 lbs.	25
18300	22000 lbs.	24	194201	60
18300-1	73	19420-1	73
18301	22000 lbs.	24	19421	22000 lbs.	24
18302	22000 lbs.	24	19426	23000 lbs.	25
18320	22000 lbs.	59	19500	23000 lbs.	25
18320-1	73	19501	23000 lbs.	25

Eaton Axle Model Index (continued)

Model	Capacity	See	Line No.	Model	Capacity	See	Line No.
19502	23000 lbs.		25	23105			73
19503	23000 lbs.		25	23105C	23000 lbs.		7
19512	23000 lbs.		25	23105S	23000 lbs.		7
19513	23000 lbs.		25	23121	23000 lbs.		7
19515	23000 lbs.		25	23200	23000 lbs.		7
19800	23000 lbs.		25	23201	23000 lbs.		7
19801	24000 lbs.		25	23221	23000 lbs.		7
19802	23000 lbs.		25	23300	23000 lbs.		7
19803	23000 lbs.		47	23321	23000 lbs.		7
19 Series (Van Hool Bus)			69	23400	23000 lbs.		7
2000			62	23420	23000 lbs.		7
20000	29000 lbs.		58	23421	23000 lbs.		7
2010	23000 lbs.		52	23L	23000 lbs.		40
20100	23000 lbs.		58	23L501	23000 lbs.		40
2011	23000 lbs.		52	23R	23000 lbs.		40
20120	23000 lbs.		58	24L	23000 lbs.		40
20121			7	25LD	25000 lbs.		41
20200	23000 lbs.		58	25LD501	25000 lbs.		41
20220	23000 lbs.		58	25R	25000 lbs.		40
20300	23000 lbs.		58	25RD	25000 lbs.		40
20320	23000 lbs.		58	2602	23000 lbs.		31
20500	23000 lbs.		26	2603	23000 lbs.		31
20501	23000 lbs.		26	26085P	26000 lbs.		7
20502	23000 lbs.		58	26085S	26000 lbs.		7
20503	23000 lbs.		58	26085T	26000 lbs.		7
20800	29000 lbs.		58	2610	23000 lbs.		31
20801	23000 lbs.		27	26100	26000 lbs.		7
21060			73	26105S			86
21065S	21000 lbs.		7	2611	23000 lbs.		31
21065T	21000 lbs.		7	26121	26000 lbs.		7
21080S			7	2613	21000 lbs.		23
21100	21000 lbs.		7	26134	21000 lbs.		41
21101	21000 lbs.		7	2614	21000 lbs.		23
21121	21000 lbs.		7	2615	21000 lbs.		23
21127	21000 lbs.		36	2616	21000 lbs.		23
21200	21000 lbs.		7	26200	26000 lbs.		7
21201	21000 lbs.		7	26221	26000 lbs.		7
21221	21000 lbs.		7	2627	22000 lbs.		29
21223	21000 lbs.		47	26321	26000 lbs.		7
21227	21000 lbs.		36	26421	26000 lbs.		47
21321			7	26426	26000 lbs.		47
21421	22000 lbs.		3	2695	22000 lbs.		30
21421	21000 lbs.		7	2696	22000 lbs.		30
22060S			74	2730	22000 lbs.		60
22065S	22000 lbs.		7	2731	23000 lbs.		25
22065T	22000 lbs.		7	2750	22000 lbs.		1
22080S			7	2817			65
22100	22000 lbs.		7	28M	28000 lbs.		21
22101	22000 lbs.		7	28MF	28000 lbs.		21
22121	22000 lbs.		7	28MFA	28000 lbs.		21
22127	22000 lbs.		36	28MR	28000 lbs.		21
22200	22000 lbs.		7	28MRA	28000 lbs.		21
22201	22000 lbs.		7	28R	28000 lbs.		21
22221	22000 lbs.		7	30105			87
22227	22000 lbs.		36	30105S			87
22321	23000 lbs.		47	30127			75
22421	22000 lbs.		7	30327			75
22500	23000 lbs.		5	30427			75
22501	23000 lbs.		5	30D	30000 lbs.		21
22L	22000 lbs.		39	30D3	32000 lbs.		21
22M	22000 lbs.		28	30DP	33000 lbs.		21
22MF	22000 lbs.		1	30DPA	32000 lbs.		21
22MR	22000 lbs.		1	30DPC	32000 lbs.		21
22R	22000 lbs.		39	30DS	30000 lbs.		21
2300S	23000 lbs.		7	30DSA	32000 lbs.		21
23070P	23000 lbs.		47	30DSC	32000 lbs.		21
23070S	23000 lbs.		7	30DSE	30000 lbs.		55
23070T	23000 lbs.		7	30DT	32000 lbs.		21
23080S			7	30DTA	32000 lbs.		21
230T4	23000 lbs.		7	30DTC	32000 lbs.		21
23100	23000 lbs.		7	30DTC3	32000 lbs.		21
23101	23000 lbs.		7	30M	30000 lbs.		21

For in-text symbols, see page 5A.

Eaton Axle Model Index (continued)

Model	Capacity	See	Line No.	Model	Capacity	See	Line No.
30MF	30000 lbs.		42	34RSD			61
30MR	30000 lbs.		42	34RSE	34000 lbs.		33
30R	30000 lbs.		55	34RT	34000 lbs.		33
30R3	32000 lbs.		21	34RT3	34000 lbs.		33
30RP	32000 lbs.		21	34RTA	34000 lbs.		33
30RPA	32000 lbs.		21	34RTB	34000 lbs.		41
30RPC	32000 lbs.		21	34RTC	34000 lbs.		33
30RS	32000 lbs.		21	34RTD	34000 lbs.		41
30RSA	32000 lbs.		21	34RTE	34000 lbs.		33
30RSC	32000 lbs.		21	34 Series			67
30RT	32000 lbs.		21	35327	35000 lbs.		64
30RTA	32000 lbs.		21	36M	36000 lbs.		34
30RTC	32000 lbs.		21	36MF	36000 lbs.		43
30RTC3	32000 lbs.		21	36MR	36000 lbs.		43
32M	32000 lbs.		32	36R	36000 lbs.		34
32MF	32000 lbs.		41	36 Series			84
32MR	32000 lbs.		41	3802	15000 lbs.		51
32R			32	38D	38000 lbs.		35
3400			41	38D3	38000 lbs.		35
34C			61	38D3B	38000 lbs.		35
34D	34000 lbs.		33	38D3C	38000 lbs.		35
34D3	34000 lbs.		33	38D3D	38000 lbs.		44
34D3B	34000 lbs.		33	38D3E	38000 lbs.		35
34D3C	34000 lbs.		33	38DP	38000 lbs.		35
34D3D			61	38DPA	38000 lbs.		35
34D3E	34000 lbs.		41	38DPB	38000 lbs.		35
34DP	34000 lbs.		33	38DPC	38000 lbs.		35
34DPA	34000 lbs.		33	38DPD	38000 lbs.		44
34DPB	34000 lbs.		33	38DPE	38000 lbs.		35
34DPC	34000 lbs.		33	38DS	38000 lbs.		35
34DPD			61	38DSA	38000 lbs.		35
34DPE	34000 lbs.		33	38DSB	38000 lbs.		35
34DPH	34000 lbs.		33	38DSC	38000 lbs.		35
34DPK			61	38DSD	38000 lbs.		44
34DPN			61	38DSE	38000 lbs.		35
34DS	34000 lbs.		33	38DSK			63
34DSA	34000 lbs.		33	38DSN			63
34DSB	34000 lbs.		33	38DT	38000 lbs.		35
34DSC	34000 lbs.		33	38DT3	38000 lbs.		35
34DSD			61	38DTA	38000 lbs.		35
34DSE	34000 lbs.		33	38DTB	38000 lbs.		35
34DSK			61	38DTC	38000 lbs.		35
34DSN			61	38DTC3	38000 lbs.		35
34DT	34000 lbs.		33	38DTD	38000 lbs.		44
34DT3	34000 lbs.		33	38DTE	38000 lbs.		35
34DTA	34000 lbs.		33	38DTK			63
34DTB	34000 lbs.		33	38DTN			63
34DTC	34000 lbs.		33	38R3	38000 lbs.		35
34DTD			61	38R3B	38000 lbs.		44
34DTE	34000 lbs.		33	38R3C	38000 lbs.		44
34DTK			61	38R3D	38000 lbs.		44
34DTN			61	38R3E	38000 lbs.		44
34M	34000 lbs.		33	38RP	38000 lbs.		35
34MF	34000 lbs.		33	38RPA	38000 lbs.		35
34MR	34000 lbs.		33	38RPB	38000 lbs.		44
34R	34000 lbs.		33	38RPC	38000 lbs.		35
34R3	34000 lbs.		33	38RPD	38000 lbs.		44
34R3B	34000 lbs.		2	38RPE	38000 lbs.		44
34R3C	34000 lbs.		41	38RS	38000 lbs.		35
34R3D	34000 lbs.		41	38RSA	38000 lbs.		35
34R3E	34000 lbs.		41	38RSB	38000 lbs.		44
34RP	34000 lbs.		33	38RSC	38000 lbs.		35
34RPA	34000 lbs.		33	38RSD	38000 lbs.		44
34RPB	34000 lbs.		41	38RSE	38000 lbs.		35
34RPC	34000 lbs.		33	38RT	38000 lbs.		35
34RPD	34000 lbs.		41	38RT3	38000 lbs.		35
34RPE	34000 lbs.		33	38RTB	38000 lbs.		44
34RPH	34000 lbs.		33	38RTC	38000 lbs.		44
34RS	34000 lbs.		33	38RTC3	38000 lbs.		35
34RSA	34000 lbs.		33	38RTD	38000 lbs.		44
34RSB	34000 lbs.		41	38RTE	38000 lbs.		44
34RSC	34000 lbs.		33	38 Series			71

Eaton Axle Model Index (continued)

Model	Capacity	See	Line No.	Model	Capacity	See	Line No.
38 Series (van Hool Bus)			69	D400	40000 lbs.		49
42000	42000 lbs.		58	D401-P			79
42D	42000 lbs.		36	D402-P			79
42D3	42000 lbs.		36	D404-P			80
42DP	42000 lbs.		36	D440P	44000 lbs.		47
42DPB	42000 lbs.		36	D454-P			80
42DPC	42000 lbs.		36	D461-P			81
42DPD	42000 lbs.		45	D480P	48000 lbs.		47
42DS	42000 lbs.		45	D521-P			81
42DSA	42000 lbs.		36	D550			82
42DT	42000 lbs.		45	D580-P			82
42DTA	42000 lbs.		36	D581-P			81
42DTB	42000 lbs.		45	D601-P			83
42DTD	42000 lbs.		45	D650			82
42M	42000 lbs.		46	D650-P			85
42MF	42000 lbs.		46	D651-P			85
42MR	42000 lbs.		46	DC341	34000 lbs.		41
42R3	42000 lbs.		45	DC381	38000 lbs.		47
42RP	42000 lbs.		36	DC401P	40000 lbs.		47
42RS	42000 lbs.		45	DC402	40000 lbs.		47
42RT	42000 lbs.		45	DC451P	45000 lbs.		47
44D	44000 lbs.		37	DC460P	46000 lbs.		47
44DP	44000 lbs.		37	DC461P	46000 lbs.		47
44DS	44000 lbs.		37	DC480P	48000 lbs.		47
44DSM	44000 lbs.		47	DC521P	52000 lbs.		47
44DT	44000 lbs.		37	DC581P	58000 lbs.		46
44R	44000 lbs.		48	DF380	38000 lbs.		1
44RP	44000 lbs.		44	DI340P	34000 lbs.		41
44RS	44000 lbs.		3	DP340	34000 lbs.		41
44RSM	44000 lbs.		3	DP340P	34000 lbs.		2
44RT	44000 lbs.		3	DP341	34000 lbs.		2
44 Series			72	DP341P	34000 lbs.		41
46M	50000 lbs.		38	DP380	38000 lbs.		3
46MF	46000 lbs.		46	DP380P	38000 lbs.		49
46MR	46000 lbs.		46	DP381	38000 lbs.		3
46R	500000 lbs.		38	DP381P	38000 lbs.		3
50D	50000 lbs.		46	DP400	40000 lbs.		44
50DP	50000 lbs.		3	DP400P	40000 lbs.		46
50DT	50000 lbs.		44	DP401	40000 lbs.		47
50M	500000 lbs.		5	DP401P	40000 lbs.		3
50R	50000 lbs.		44	DP402	40000 lbs.		47
50RP	50000 lbs.		44	DP402P	40000 lbs.		3
50RT	50000 lbs.		44	DP406P	40000 lbs.		3
50 Series			70	DP440	44000 lbs.		47
65D	50000 lbs.		5	DP440P	44000 lbs.		4
6600	16000 lbs.		53	DP451P	45000 lbs.		47
6601	16000 lbs.		53	DP456P	45000 lbs.		4
6802	16000 lbs.		53	DP460P	46000 lbs.		4
6803	16000 lbs.		6	DP461P	46000 lbs.		4
70-SRWFF			76	DP480	48000 lbs.		47
7800	18500 lbs.		2	DP480P	48000 lbs.		4
7801	18500 lbs.		2	DP481	48000 lbs.		48
7810	18500 lbs.		2	DP481P	48000 lbs.		4
80RWFF			76	DP485P	48000 lbs.		48
8800	22000 lbs.		24	DP50	50000 lbs.		44
8802	22000 lbs.		24	DP521P	52000 lbs.		47
8803	22000 lbs.		24	DP550	55000 lbs.		5
8812	22000 lbs.		24	DP580	58000 lbs.		5
8813	22000 lbs.		47	DP580P	58000 lbs.		46
9502	23000 lbs.		47	DP581P	58000 lbs.		41
9503	23000 lbs.		24	DP601P	60000 lbs.		41
9512	23000 lbs.		24	DP650	63000 lbs.		46
9515			47	DP650P	65000 lbs.		5
D340	34000 lbs.		41	DP651P	65000 lbs.		45
D340P	34000 lbs.		41	DS340	34000 lbs.		2
D341P3	34000 lbs.		2	DS340P	34000 lbs.		41
D-341 Series			77	DS341	34000 lbs.		2
D-344-P			77	DS341P	34000 lbs.		41
D34P3	34000 lbs.		2	DS380	38000 lbs.		7
D380	38000 lbs.		49	DS380P	38000 lbs.		7
D-381			78	DS381	38000 lbs.		7
D381-P			78	DS381P	38000 lbs.		7

For in-text symbols, see page 5A.

Eaton Axle Model Index (continued)

Model	Capacity	See	Line No.	Model	Capacity	See	Line No.
DS386P	38000 lbs.		7	RC460	46000 lbs.		47
DS400	40000 lbs.		7	RC461	46000 lbs.		47
DS400P	40000 lbs.		7	RC480	48000 lbs.		47
DS401	40000 lbs.		7	RC521	52000 lbs.		47
DS401P	40000 lbs.		7	RP340	34000 lbs.		41
DS402	40000 lbs.		7	RP341	34000 lbs.		41
DS402P	40000 lbs.		7	RP380	38000 lbs.		44
DS440	44000 lbs.		7	RP381	38000 lbs.		47
DS440P	44000 lbs.		7	RP400	40000 lbs.		44
DS451P	45000 lbs.		47	RP401	40000 lbs.		47
DS456P	45000 lbs.		7	RP402	40000 lbs.		47
DS460P	46000 lbs.		7	RP440	44000 lbs.		47
DS461P	46000 lbs.		7	RP451	45000 lbs.		47
DS480P	48000 lbs.		7	RP460	46000 lbs.		47
DS521P	52000 lbs.		47	RP480	48000 lbs.		47
DS581P	58000 lbs.		41	RP481	48000 lbs.		48
DS650P	65000 lbs.		5	RP550	55000 lbs.		64
DSP50			6	RP580	58000 lbs.		46
DT340	34000 lbs.		2	RP650	65000 lbs.		64
DT340P	34000 lbs.		41	RPD	38000 lbs.		44
DT341	34000 lbs.		2	RS340	34000 lbs.		2
DT341P	34000 lbs.		41	RS380	38000 lbs.		44
DT380	38000 lbs.		7	RS400	40000 lbs.		49
DT380P	38000 lbs.		7	RS440	44000 lbs.		47
DT381	38000 lbs.		7	RS460	46000 lbs.		47
DT381P	38000 lbs.		7	RS480	48000 lbs.		47
DT400	40000 lbs.		7	RT340	34000 lbs.		41
DT400P	40000 lbs.		7	RT341	34000 lbs.		41
DT401	40000 lbs.		47	RT380	38000 lbs.		44
DT401P	40000 lbs.		7	RT381	38000 lbs.		47
DT402	40000 lbs.		7	RT400	40000 lbs.		47
DT402P	40000 lbs.		7	RT401	40000 lbs.		47
DT440	44000 lbs.		7	RT402	40000 lbs.		47
DT440P	44000 lbs.		7	RT440	44000 lbs.		47
DT441P	44000 lbs.		7	RT451	45000 lbs.		47
DT451P	45000 lbs.		47	RT460P	46000 lbs.		3
DT460P	46000 lbs.		7	RT460T	46000 lbs.		47
DT461P	46000 lbs.		7	RT480	48000 lbs.		47
DT480P	48000 lbs.		7	RT485	48000 lbs.		48
DT481P	44000 lbs.		7	SP50			6
DT485P	48000 lbs.		48	SP521	52000 lbs.		47
DT50	50000 lbs.		44	SP550	55000 lbs.		64
DT521P	52000 lbs.		47	SP580	58000 lbs.		46
DT601P	60000 lbs.		41	SP601	60000 lbs.		41
DT651P	65000 lbs.		45	SP650	65000 lbs.		64
E23105C			86	SP651	65000 lbs.		45
E23105S			86	ST480	48000 lbs.		47
E-660G			88	T-550/650			91
EG660			45	T-580-P			88
P174	19000 lbs.		2	T-650-P			88
P601	19000 lbs.		2	TP521	52000 lbs.		47
P-652-P			89	TP550	55000 lbs.		64
R			90	TP580	58000 lbs.		5
R340	34000 lbs.		41	TP601	60000 lbs.		41
R380	38000 lbs.		44	TP650	65000 lbs.		64
R400	40000 lbs.		44	TP651	65000 lbs.		45
RC341	34000 lbs.		41	U191RC			8
RC381	38000 lbs.		47				
RC401	40000 lbs.		47				
RC402	40000 lbs.		47				
RC451	45000 lbs.		47				

Mfr Line Number	Scotseal® PlusXL	Scotseal® Classic	Scotseal® Longlife	Inner (Cone/Cup)	Outer (Cone/Cup)	Grease Seal Location	Number
Eaton							
1							
Ford - 4.375" Shaft		43860		BR598/ 592-A VP	BR575/ BR572	Inner	43820
Ford - 4.500" Shaft	45157	45160		BR598/ 592-A VP	BR580/ BR572	Outer	29887
						Inner	45150
Ford - 3.625" Inner Cone I.D. ...	◇ 47692 (Reorder:) 47691	47697 or 47698 ⁵	47693	BR598/ 592-A VP	BR575/ BR572		
Freightliner - w/ OEM Bushing.	◇ 47692 (Reorder:) 47691	47697 or 47698 ⁵	47693	BR598/ 592-A VP	BR575/ BR572		
Freightliner - w/o OEM Bushings & 3.625" Inner Cone I.D.		43875		BR598/ 592-A VP	BR575/ BR572		
Freightliner - w/o OEM Bushings & 3.750" Inner Cone I.D.		43875		BR594/ 592-A VP	BR575/ BR572		
GMC		43860		BR598/ 592-A VP	BR575/ BR572	Inner	43820
GMC - w/ OEM Bushing & 3.625" Inner Cone I.D. ...	◇ 47692 (Reorder:) 47691	47697 or 47698 ⁵	47693	BR598/ 592-A VP	BR575/ BR572		
Kenworth - w/ OEM Bushing..	◇ 47692 (Reorder:) 47691	47697 or 47698 ⁵	47693	BR594/ 592-A VP	BR575/ BR572		
Kenworth - w/o OEM Bushing & 3.625" Inner Cone I.D. ...		43875		BR598/ 592-A VP	BR575/ BR572		
Kenworth - w/o OEM Bushing & 3.750" Inner Cone I.D. ...		43875		BR594/ 592-A VP	BR575/ BR572		
Navistar		43860		BR598/ 592-A VP	BR575/ BR572	Inner	43820
Peterbilt - w/ OEM Bushing..	◇ 47692 (Reorder:) 47691	47697 or 47698 ⁵	47693	BR598/ 592-A VP	BR575/ BR572		
Peterbilt - 3.625" Inner Cone I.D.	◇ 47692 (Reorder:) 47691	47697 or 47698 ⁵	47693	BR598/ 592-A VP	BR575/ BR572		
Peterbilt - w/o OEM Bushing & 3.625" Inner Cone I.D. ...		43875		BR598/ 592-A VP	BR575/ BR572		
Peterbilt - w/o OEM Bushing & 3.750" Inner Cone I.D. ...		43875		BR594/ 592-A VP	BR575/ BR572		
White		43860		BR598/ 592-A VP	BR575/ BR572	Inner	43820
2							
Ford	38776	38780		BR47686/ BR47620 ▲SET411	BR39590/ BR39520 ▲SET408	Inner - Seal Kit	1333
GMC - 5.506" Seal O.D. ...		38750		BR47686/ BR47620 ▲SET411	BR39590/ BR39520 ▲SET408	Inner - Seal w/o Sleeve	38777
GMC - 5.696" Seal O.D. ...	38776	38780		BR47686/ BR47620 ▲SET411	BR39590/ BR39520 ▲SET408	Inner Seal Kit	1224
Navistar	38776	38780		BR47686/ BR47620 ▲SET411	BR39590/ BR39520 ▲SET408	Inner - .500" Width	38774
						Inner - .750" Width	38777
White	38776	38780		BR47686/ BR47620 ▲SET411	BR39585/ BR39520	Inner	38777

Mfr Line Number	Scotseal® PlusXL	Scotseal® Classic	Scotseal® Longlife	Inner (Cone/Cup)	Outer (Cone/Cup)	Grease Seal Location	Number
Eaton (continued)							
3							
Ford - 4.500" Shaft	45157	45160		594-A VP/ 592-A VP ▲SET403	BR580/ BR572 ▲SET401	Outer	29887
Ford - 4.766" Shaft	◇ 47692 (Reorder:) 47691	47697	47693	594-A VP/ 592-A VP ▲SET403	BR580/ BR572 ▲SET401	Inner	45150
GMC - 6.006" Seal O.D. ...		47690		594-A VP/ 592-A VP ▲SET403	BR580/ BR572 ▲SET401	Inner - Seal Only	49050
GMC - 6.259" Seal O.D. ...	48002	48000		594-A VP/ 592-A VP ▲SET403	BR580/ BR572 ▲SET401		
GMC - 6.316" Seal O.D. ...	◇ 47692 (Reorder:) 47691	47697 or 47698 ⁵	47693	598-A VP/ 592-A VP ▲SET404	BR580/ BR572 ▲SET401		
Navistar - w/3.625" Inner Cone I.D.	◇ 47692 (Reorder:) 47691	47697 or 47698 ⁵	47693	BR598/ 592-A VP	BR580/ BR572 ▲SET401	Inner Seal Kit	1255
Navistar - 3.750" Inner Cone I.D.	◇ 47692 (Reorder:) 47691	47697 or 47698 ⁵	47693	594-A VP/ 592-A VP ▲SET403	BR580/ BR572 ▲SET401	Outer Seal Kit	31378
						Inner Seal Kit	1255
						Outer Seal Kit	31378
4							
Ford - 4.375" Shaft		43860		BR595/ 592-A VP	BR580/ BR572 ▲SET401	Inner	43820
Ford - 4.766" Shaft	◇ 47692 (Reorder:) 47691	47697 or 47698 ⁵	47693	594-A VP/ 592-A VP ▲SET403	BR580/ BR572 ▲SET401	Inner - Seal	49050
Freightliner - w/ OEM Spacer.	◇ 47692 (Reorder:) 47691	47697 or 47698 ⁵	47693	BR598/ 592-A VP	BR580/ BR572 ▲SET401		
Freightliner - w/ OEM Spacer & 3.750" Inner Cone I.D. ...	◇ 47692 (Reorder:) 47691	47697 or 47698 ⁵	47693	BR594/ 592-A VP	BR580/ BR572 ▲SET401		
Freightliner - w/o OEM Space		43875		BR598/ 592-A VP	BR580/ BR572 ▲SET401		
GMC - 6.006" Seal O.D. ...		47690		594-A VP/ 592-A VP ▲SET403	BR580/ BR572 ▲SET401		
GMC - 6.259" Seal O.D. ...	48002	48000		594-A VP/ 592-A VP ▲SET403	BR580/ BR572 ▲SET401		
GMC - 6.316" Seal O.D. ...	◇ 47692 (Reorder:) 47691	47697 or 47698 ⁵	47693	598-A VP/ 592-A VP ▲SET404	BR580/ BR572 ▲SET401		
Kenworth - w/ OEM Bushing..	◇ 47692 (Reorder:) 47691	47697 or 47698 ⁵	47693	BR598/ 592-A VP	BR580/ BR572 ▲SET401		
Kenworth - w/ OEM Bushing & 3.750" Inner Cone I.D. ...	◇ 47692 (Reorder:) 47691	47697 or 47698 ⁵	47693	BR594/ 592-A VP	BR580/ BR572 ▲SET401		

**A
P
P
L
I
C
A
T
I
O
N
S**

**T
R
A
I
L
E
R
,
T
A
G
&
P
U
S
H
E
R
A
X
L
E
S**

**F
R
O
N
T
A
X
L
E
S**

**D
R
I
V
E
A
X
L
E
S**

**M
E
D
I
U
M
T
R
U
C
K**

Mfr Line Number	Scotseal® PlusXL	Scotseal® Classic	Scotseal® Longlife	Inner (Cone/Cup)	Outer (Cone/Cup)	Grease Seal Location	Number
Eaton (continued)							
Kenworth - w/o OEM Bushing		43875		BR598/ 592-A VP	BR580/ BR572 ▲ SET401		
Navistar - 4.500" Shaft	45157	45160		594-A VP/ 592-A VP ▲ SET403	BR580/ BR572 ▲ SET401	Outer	29887
Navistar - 4.766" Shaft	◇ 47692 (Reorder:) 47691	47697 or 47698 ⁵	47693	598-A VP/ 592-A VP ▲ SET404	BR580/ BR572 ▲ SET401	Inner	45150
Peterbilt - w/ OEM Bushing..	◇ 47692 (Reorder:) 47691	47697 or 47698 ⁵	47693	BR598/ 592-A VP	BR580/ BR572 ▲ SET401	Inner Seal Kit	1255
Peterbilt - w/ OEM Bushing & 3.750" Inner Cone I.D. ...	◇ 47692 (Reorder:) 47691	47697 or 47698 ⁵	47693	BR594/ 592-A VP	BR580/ BR572 ▲ SET401	Outer Seal Kit	31378
Peterbilt - w/o OEM Bushing..		43875		BR598/ 592-A VP	BR580/ BR572 ▲ SET401		
5							
GMC - 6.006" Seal O.D. ...		47690		BR760/ BR752	BR749/ BR742		
GMC - 6.508" Seal O.D. ...		48884 ⁺ w/455019		BR760/ BR752	BR749/ BR742		
Navistar		48884 ⁺ w/455019		BR760/ BR752	BR749/ BR742	Inner Seal Kit	54935
White		48884 ⁺ w/455019		BR760/ BR752	BR749/ BR742		
6							
GMC		38750		495-AX VP/ BR493	BR39590/ BR39520 ▲ SET408	Inner Seal Kit	1224
Navistar		38709		BR42688/ BR42620	BR39585/ BR39520	Inner	38703
7							
Ford - 4.375" Shaft		43860		BR595/ 592-A VP	BR580/ BR572 ▲ SET401	Inner	43820
Ford - 4.500" Shaft	45157	45160		594-A VP/ 592-A VP ▲ SET403	BR580/ BR572 ▲ SET401	Outer	29887
Ford - 4.766" Shaft	◇ 47692 (Reorder:) 47691	47697 or 47698 ⁵	47693	594-A VP/ 592-A VP ▲ SET403	BR580/ BR572 ▲ SET401	Inner	45150
GMC - 6.006" Seal O.D. ...	48002	48000		594-A VP/ 592-A VP ▲ SET403	BR580/ BR572 ▲ SET401	Inner - Seal	49050
GMC - 6.259" Seal O.D. ...		47690		594-A VP/ 592-A VP ▲ SET403	BR580/ BR572 ▲ SET401		
GMC - 6.316" Seal O.D. ...	◇ 47692 (Reorder:) 47691	47697 or 47698 ⁵	47693	598-A VP/ 592-A VP ▲ SET404	BR580/ BR572 ▲ SET401		
Navistar - 4.375" Shaft		43860		BR598/ 592-A VP	BR575/ BR572	Inner	43820
Navistar - 4.500" Shaft	45157	45160		594-A VP/ 592-A VP ▲ SET403	BR580/ BR572 ▲ SET401	Outer	29887
Navistar - 4.766" Shaft	◇ 47692 (Reorder:) 47691	47697 or 47698 ⁵	47693	598-A VP/ 592-A VP ▲ SET404	BR580/ BR572 ▲ SET401	Inner	45150
						Inner Seal Kit	1255
						Outer Seal Kit	31378

Mfr Line Number	Scotseal® PlusXL	Scotseal® Classic	Scotseal® Longlife	Inner (Cone/Cup)	Outer (Cone/Cup)	Grease Seal Location	Number
Eaton (continued)							
8 Navistar	45157	45160		594-A VP/ 592-A VP ▲SET403	BR580/ BR572 ▲SET401	Outer	29887
						Inner	45150
9 Navistar				BR3982/ BR3920	BR377/ BR374	Inner	33136
10	34384	34387		BR33281/ BR33462	BR3982/ BR3920	Inner	33807
11		31323		BR3984/ BR3920	BR462/ 453-X VP		
12		31323		BR3984/ BR3920	BR462/ 453-X VP		
13 Dodge	34384	34387		BR33281/ BR33462	BR3982/ BR3920	Inner	33807
GMC - From 1952				395-CS/ 394-CS ▲KD12051-Z	BR387/ BR382 ▲KB11786-Y	Inner	31870
GMC - Thru 1951				BR33281/ BR33462	BR45290/ BR45220	Inner	35012
14 GMC - From 1954				B12235-YK	KA11950-Z	Inner - Seal Kit	162
						Inner - Seal Only	36314
GMC - Thru 1953				B12235-YK	KA11950-Z	Inner	31870
Navistar - RA125				BR3984/ BR3920	BR29585/ BR29520	Inner	33136
Navistar - RA130, RA131, RA132, 1411	34994	35000		BR33281/ BR33462	BR39585/ BR39520	Inner	35012
White		31323		BR3984/ BR3920	BR462/ 453-X VP	Inner	33136
15 Dodge	34384	34387		BR33287/ BR33462	BR3982/ BR3920	Inner	33807
GMC				395-CS/ 394-CS ▲KD12051-Z	BR387/ BR382 ▲KB11786-Y	Inner	34985
White		31323		BR3984/ BR3920	BR462/ 453-X VP	Inner - Seal Kit	1333
						Inner - Seal w/o Sleeve	31299
16 Dodge	34384	34387		BR33287/ BR33462	BR3982/ BR3920	Inner	33807
Ford	34384	34387		BR33287/ BR33462	BR3982/ BR3920	Inner Seal Kit	1332
GMC - From 1962				BR33287/ BR33462	BR39585/ BR39520	Inner	34985
GMC - Thru 1961	34994	35000		BR33281/ BR33462	BR39585/ BR39520	Inner	34985

Mfr Line Number	Scotseal® PlusXL	Scotseal® Classic	Scotseal® Longlife	Inner (Cone/Cup)	Outer (Cone/Cup)	Grease Seal Location	Number
Eaton (continued)							
Navistar - RA126, RA184 w/Cast Whls.	38776	38780		BR47686/ BR47620 ▲ SET411	BR39590/ BR39520 ▲ SET408	Inner	38774
Navistar - RA126, RA184 w/Disc Whls.				BR3984/ BR3920	BR29585/ BR29520	Inner	33136
Navistar - RA127, RA128, RA187, RA727, RA728	34994	35000		BR33281/ BR33462	BR39585/ BR39520	Inner	35029
17 GMC - From 1982 w/3.875" Shaft		38750		BR33287/ BR33462	BR3982/ BR3920		
GMC - From 1982 w/3.938" Shaft		39420		BR33287/ BR33462	BR3982/ BR3920		
GMC - Thru 1981		39420		BR33287/ BR33462	BR3982/ BR3920		
18 GMC	34384	34387		BR33281/ BR33462	BR3982/ BR3920	Inner	35020
White		38709		BR42688/ BR42620	BR39585/ BR39520	Inner	38703
19 Dodge		38709		BR42688/ BR42620	BR39590/ BR39520 ▲ SET408	Outer Seal Kit Inner	31361 38703
Ford - From Ser. F90001 ..		39425		495-AX VP/ BR493	BR39590/ BR39520 ▲ SET408	Inner - Seal Kit Outer Seal Kit Inner - Seal w/o Sleeve	1322 25160 39423
Ford - Thru Ser. F90000 ...		39380		495-AX VP/ BR493	BR3984/ BR3920	Inner Seal Kit Outer Seal Kit	1321 25160
GMC - 3.875" Shaft		38750		495-AX VP/ BR493	BR39590/ BR39520 ▲ SET408	Inner Seal Kit	1224
GMC - 3.938" Shaft		39420		495-AX VP/ BR493	BR39590/ BR39520 ▲ SET408		
Navistar		38709		BR42688/ BR42620	BR39585/ BR39520	Inner	38703
20 Navistar				BR782/ BR752	BR749/ BR742	Outer Seal Kit Inner - Grease Seal Inner - Oil Bath Seal	31385 55175 55177
21 Dodge - 2.500" Outer Cone I.D.		38709		BR42688/ BR42620	BR39585/ BR39520	Outer Seal Kit Inner	31361 38703
Dodge - 2.625" Outer Cone I.D.		38709		BR42688/ BR42620	BR39590/ BR39520 ▲ SET408	Outer Seal Kit Inner	31361 38703
Ford - From Ser. F90001 ..		39425		495-AX VP/ BR493	BR39590/ BR39520 ▲ SET408	Outer Seal Kit Inner	25160 39423

For in-text symbols, see page 5A.

Mfr Line Number	Scotseal® PlusXL	Scotseal® Classic	Scotseal® Longlife	Inner (Cone/Cup)	Outer (Cone/Cup)	Grease Seal Location	Number
Eaton (continued)							
Ford - Thru Ser. F90000 w/3.875" Shaft	38776	38780		BR47686/ BR47620 ▲SET411	BR39590/ BR39520 ▲SET408	Inner - Seal Kit	1333
Ford - Thru Ser. F90000 w/3.938" Shaft		39380		495-AX VP/ BR493	BR3984/ BR3920	Inner Seal Kit	1321
GMC - 3.875" Shaft		38750		495-AX VP/ BR493	BR39590/ BR39520 ▲SET408	Outer Seal Kit	25160
GMC - 3.938" Shaft		39420		495-AX VP/ BR493	BR39590/ BR39520 ▲SET408	Inner Seal Kit	1224
Navistar - 5.134" Seal O.D...		38709		BR42688/ BR42620	BR39585/ BR39520	Inner	38703
Navistar - 5.381" Seal O.D...		38747		BR47678/ BR47620	BR39585/ BR39520	Inner	38745
Navistar - 5.696" Seal O.D...	38776	38780		BR47678/ BR47620	BR39585/ BR39520	Inner	38777
White		38709		BR42688/ BR42620	BR39585/ BR39520	Inner	38703
22 GMC				BR566/ BR563	BR3982/ BR3920		
23 Dodge	38776	38780		BR47686/ BR47620 ▲SET411	BR39590/ BR39520 ▲SET408	Seal Kit	1333
Ford	38776	38780		BR47686/ BR47620 ▲SET411	BR39590/ BR39520 ▲SET408	Seal w/o Sleeve	38777
GMC - 5.506" Seal O.D. Exc. 19.5" Cast Whls.		38750		BR47686/ BR47620 ▲SET411	BR39590/ BR39520 ▲SET408	Seal Kit	1333
GMC - 5.696" Seal O.D. Exc. 19.5" Cast Whls.	38776	38780		BR47686/ BR47620 ▲SET411	BR39590/ BR39520 ▲SET408	Seal w/o Sleeve	38777
GMC - 19.5" Cast Whls. ...		42800		BR582/ BR572 ▲SET402	BR42687/ BR42620	Inner Seal Kit	1224
Navistar	38776	38780		BR47686/ BR47620 ▲SET411	BR39590/ BR39520 ▲SET408	Inner Seal Kit	1224
Reo		38750		BR47686/ BR47620 ▲SET411	BR39590/ BR39520 ▲SET408	.500" Width	38774
White	38776	38780		BR47686/ BR47620 ▲SET411	BR39590/ BR39520 ▲SET408	.750" Width	38777
24 Dodge - 6.259" Seal O.D. .		43860		BR598/ 592-A VP	BR575/ BR572	Inner Seal Kit	1224
Dodge - 6.316" Seal O.D. .		43875		598-A VP/ 592-A VP ▲SET404	BR575/ BR572	Inner	38777
Ford - 4.375" Shaft		43860		BR598/ 592-A VP	BR575/ BR572	Inner	43820

Mfr Line Number	Scotseal® PlusXL	Scotseal® Classic	Scotseal® Longlife	Inner (Cone/Cup)	Outer (Cone/Cup)	Grease Seal Location	Number
Eaton (continued)							
Ford - 4.500" Shaft	45157	45160		BR594/ 592-A VP	BR580/ BR572 ▲ SET401	Outer	29887
Freightliner - w/ OEM Bushing.	◇ 47692 (Reorder:) 47691	47697 or 47698 ⁵	47693	BR598/ 592-A VP	BR580/ BR572 ▲ SET401	Inner	45150
Freightliner - w/ OEM Bushing & 3.750" Inner Cone I.D. ...	◇ 47692 (Reorder:) 47691	47697 or 47698 ⁵	47693	BR594/ 592-A VP	BR580/ BR572 ▲ SET401		
Freightliner - w/o OEM Bushings & 3.625" Inner Cone I.D.		43875		BR598/ 592-A VP	BR575/ BR572		
Freightliner - w/o OEM Bushings & 3.750" Inner Cone I.D.		43875		BR594/ 592-A VP	BR575/ BR572		
GMC - 4.375" Shaft		43860		BR598/ 592-A VP	BR575/ BR572	Inner	43820
GMC - 4.500" Shaft	45157	45160		BR594/ 592-A VP	BR580/ BR572 ▲ SET401	Inner	45150
GMC - 4.766" Shaft & 6.006" Seal O.D.		47690		594-A VP/ 592-A VP ▲ SET403	BR575/ BR572		
GMC - 4.766" Shaft & 6.259" Seal O.D.	48002	48000		598-A VP/ 592-A VP ▲ SET404	BR580/ BR572 ▲ SET401		
Kenworth - w/ OEM Bushing..	◇ 47692 (Reorder:) 47691	47697 or 47698 ⁵	47693	BR598/ 592-A VP	BR580/ BR572 ▲ SET401		
Kenworth - w/ OEM Bushing & 3.750" Inner Cone I.D. ...	◇ 47692 (Reorder:) 47691	47697 or 47698 ⁵	47693	BR594/ 592-A VP	BR580/ BR572 ▲ SET401		
Kenworth - w/ OEM Bushing & 3.625" Inner Cone I.D. ...		43875		BR598/ 592-A VP	BR575/ BR572		
Kenworth - w/o OEM Bushing & 3.750" Inner Cone I.D. ...		43875		BR594/ 592-A VP	BR580/ BR572 ▲ SET401		
Navistar - 4.500" Shaft	45157	45160		594-A VP/ 592-A VP ▲ SET403	BR580/ BR572 ▲ SET401	Outer	29887
Navistar - 4.766" Shaft	◇ 47692 (Reorder:) 47691	47697 or 47698 ⁵	47693	598-A VP/ 592-A VP ▲ SET404	BR580/ BR572 ▲ SET401	Inner Seal Kit	1255
Peterbilt - w/ OEM Bushing..	◇ 47692 (Reorder:) 47691	47697 or 47698 ⁵	47693	BR598/ 592-A VP	BR580/ BR572 ▲ SET401	Outer Seal Kit	31378
Peterbilt - w/ OEM Bushing & 3.750" Inner Cone I.D. ...	◇ 47692 (Reorder:) 47691	47697 or 47698 ⁵	47693	BR594/ 592-A VP	BR580/ BR572 ▲ SET401		
Peterbilt - w/o OEM Bushing & 3.625" Inner Cone I.D. ...		43875		BR598/ 592-A VP	BR575/ BR572		

For in-text symbols, see page 5A.

Mfr Line Number	Scotseal® PlusXL	Scotseal® Classic	Scotseal® Longlife	Inner (Cone/Cup)	Outer (Cone/Cup)	Grease Seal Location	Number
Eaton (continued)							
Peterbilt - w/o OEM Bushing & 3.750" Inner Cone I.D. ...		43875		BR594/ 592-A VP	BR575/ BR572		
White		43860		BR598/ 592-A VP	BR575/ BR572	Inner	43820
25							
Dodge		45152		BR594/ 592-A VP	BR580/ BR572 ▲ SET401	Inner	45150
Ford - 4.375" Shaft		43860		BR598/ 592-A VP	BR575/ BR572	Inner	43820
Ford - 4.375" Shaft 3.750" Inner Cone I.D.		43860		594-A VP/ 592-A VP ▲ SET403	BR580/ BR572 ▲ SET401		
Ford - 4.500" Shaft	45157	45160		BR594/ 592-A VP	BR580/ BR572 ▲ SET401	Outer	29887
Freightliner - w/ OEM Bushing..	◇ 47692 (Reorder:) 47691	47697 or 47698 ⁵	47693	BR598/ 592-A VP	BR580/ BR572 ▲ SET401	Inner	45150
Freightliner - w/ OEM Bushing & 3.750" Inner Cone I.D. ...	◇ 47692 (Reorder:) 47691	47697 or 47698 ⁵	47693	BR594/ 592-A VP	BR580/ BR572 ▲ SET401		
Freightliner - w/o OEM Bushing		45152		BR594/ 592-A VP	BR580/ BR572 ▲ SET401		
GMC	45157	45160		BR594/ 592-A VP	BR580/ BR572 ▲ SET401	Inner	45150
Kenworth - w/ OEM Bushing..	◇ 47692 (Reorder:) 47691	47697 or 47698 ⁵	47693	BR598/ 592-A VP	BR580/ BR572 ▲ SET401		
Kenworth - w/ OEM Bushing & 3.750" Inner Cone I.D. ...	◇ 47692 (Reorder:) 47691	47697 or 47698 ⁵	47693	BR594/ 592-A VP	BR580/ BR572 ▲ SET401		
Kenworth - w/o OEM Bushing		45152		BR594/ 592-A VP	BR580/ BR572 ▲ SET401		
Navistar	45157	45160		594-A VP/ 592-A VP ▲ SET403	BR580/ BR572 ▲ SET401	Outer	29887
Peterbilt - w/ OEM Bushing..	◇ 47692 (Reorder:) 47691	47697 or 47698 ⁵	47693	BR598/ 592-A VP	BR580/ BR572 ▲ SET401	Inner	45150
Peterbilt - w/ OEM Bushing & 3.750" Inner Cone I.D. ...	◇ 47692 (Reorder:) 47691	47697 or 47698 ⁵	47693	BR594/ 592-A VP	BR580/ BR572 ▲ SET401		
Peterbilt - w/o OEM Bushing..		45152		BR594/ 592-A VP	BR580/ BR572 ▲ SET401		
White	45157	45160		BR594/ 592-A VP	BR580/ BR572 ▲ SET401	Outer	29887
						Inner	45150
26							
Navistar		43860		BR595/ 592-A VP	BR582/ BR572 ▲ SET402	Inner	43820

APPLICATIONS

TRAILER, TAG & PUSH-ER AXLES

FRONT AXLES

DRIVE AXLES

MEDIUM TRUCK

Mfr Line Number	Scotseal® PlusXL	Scotseal® Classic	Scotseal® Longlife	Inner (Cone/Cup)	Outer (Cone/Cup)	Grease Seal Location	Number
Eaton (continued)							
White		43860		BR598/ 592-A VP	BR582/ BR572 ▲ SET402	Inner	43820
27 White	42673	42672		BR665/ BR652	BR663/ BR652		
28 GMC - From 1954				B12235-YK	KA11950-Z	Seal Kit w/3.625" Shaft	162
GMC - Thru 1953				B12235-YK	KA11950-Z	Seal Only w/3.625" Shaft	36314
Navistar	34994	35000		BR33281/ BR33462	BR39585/ BR39520	Inner - w/3.188" Shaft	31870
White		39380		495-AX VP/ BR493	BR3984/ BR3920	Inner	35012
29 GMC				BR566/ BR563	BR3982/ BR3920		
30 GMC		43860		BR598/ 592-A VP	BR575/ BR572	Inner	43820
Kenworth		43875		BR598/ 592-A VP	BR575/ BR572		
Navistar		43860		BR598/ 592-A VP	BR580/ BR572 ▲ SET401	Inner	43820
Peterbilt		43875		BR598/ 592-A VP	BR575/ BR572		
31					BR3982/ BR3920		
32 GMC - 3.875" Shaft Exc. 19.5" Cast Whls.		38750		BR47686/ BR47620 ▲ SET411	BR39590/ BR39520 ▲ SET408	Inner Seal Kit	1224
GMC - L Type Brg. Spacer Exc. 19.5" Cast Whls.		42550		BR47686/ BR47620 ▲ SET411	BR39590/ BR39520 ▲ SET408	Inner	41550
GMC - R Type Brg. Spacer Exc. 19.5" Cast Whls.		42550 w/455024		BR47686/ BR47620 ▲ SET411	BR39590/ BR39520 ▲ SET408	Inner	41550
GMC - 19.5" Cast Whls. ...		42800		BR582/ BR572 ▲ SET402	BR42687/ BR42620		
White	38776	38780		BR47686/ BR47620 ▲ SET411	BR39590/ BR39520 ▲ SET408	Inner	38777
33 Dodge	38776	38780		BR47686/ BR47620 ▲ SET411	BR39590/ BR39520 ▲ SET408	Inner	38777

Mfr Line Number	Scotseal® PlusXL	Scotseal® Classic	Scotseal® Longlife	Inner (Cone/Cup)	Outer (Cone/Cup)	Grease Seal Location	Number
Eaton (continued)							
Ford	38776	38780		BR47686/ BR47620 ▲SET411	BR39590/ BR39520 ▲SET408	Inner - Seal Kit	1333
GMC - 3.875" Shaft Exc.19.5" Cast Whls.		38750		BR47686/ BR47620 ▲SET411	BR39590/ BR39520 ▲SET408	Inner - Seal w/o Sleeve	38777
GMC - L Type Brg. Spacer Exc. 19.5" Cast Whls.		42550		BR47686/ BR47620 ▲SET411	BR39590/ BR39520 ▲SET408	Inner Seal Kit	1224
GMC - R Type Brg. Spacer Exc. 19.5" Cast Whls.		42550 [†] w/455024		BR47686/ BR47620 ▲SET411	BR39590/ BR39520 ▲SET408	Inner	41550
GMC - 19.5" Cast Whls. ...		42800		BR47686/ BR47620 ▲SET411	BR39590/ BR39520 ▲SET408	Inner	41550
Navistar	38776	38780		BR47686/ BR47620 ▲SET411	BR39590/ BR39520 ▲SET408	Inner - .500" Width	38774
White	38776	38780		BR47686/ BR47620 ▲SET411	BR39590/ BR39520 ▲SET408	Inner - .750" Width	38777
						Inner	38777
34 Navistar	38776	38780		BR5760/ BR5735	BR575/ BR572	Inner	38777
White	38776	38780		BR5760/ BR5735	BR575/ BR572	Inner	38777
35 Dodge		43875		598-A VP/ 592-A VP ▲SET404	BR575/ BR572		
Ford - 4.375" Shaft		43860		598-A VP/ 592-A VP ▲SET404	BR575/ BR572	Inner	43820
Ford - 4.500" Shaft	45157	45160		594-A VP/ 592-A VP ▲SET403	BR580/ BR572 ▲SET401	Outer	29887
Ford - 4.766" Shaft	◇ 47692 (Reorder:) 47691	47697 or 47698 ⁵	47693	594-A VP/ 592-A VP ▲SET403	BR580/ BR572 ▲SET401	Inner - Seal w/Sleeve	49050
Freightliner - 4.500" Shaft .	45157	45160		594-A VP/ 592-A VP ▲SET403	BR580/ BR572 ▲SET401	Outer	29887
Freightliner - 4.766" Shaft .	◇ 47692 (Reorder:) 47691	47697 or 47698 ⁵	47693	BR598/ 592-A VP	BR575/ BR572	Inner	45150
GMC - 4.766" Shaft & 6.259" Seal O.D.	48002	48000		594-A VP/ 592-A VP ▲SET403	BR580/ BR572 ▲SET401		
GMC - 4.375" Shaft & 6.259" Seal O.D.		43860		BR598/ 592-A VP	BR575/ BR572	Inner	43820
GMC - 6.326" Seal O.D. ...	◇ 47692 (Reorder:) 47691	47697 or 47698 ⁵	47693	598-A VP/ 592-A VP ▲SET404	BR580/ BR572 ▲SET401		
Kenworth - 4.375" Shaft		43875		BR598/ 592-A VP	BR575/ BR572		

APPLICATIONS

TRAILER, TAG & PUSH AXLES

FRONT AXLES

DRIVE AXLES

MEDIUM TRUCK

Mfr Line Number	Scotseal® PlusXL	Scotseal® Classic	Scotseal® Longlife	Inner (Cone/Cup)	Outer (Cone/Cup)	Grease Seal Location	Number
Eaton (continued)							
Kenworth - 4.766" Shaft	✧ 47692 (Reorder:) 47691	47697 or 47698 ⁵	47693	BR598/ 592-A VP	BR575/ BR572	Inner	43820
Navistar - 4.375" Shaft		43860		BR598/ 592-A VP	BR575/ BR572	Outer	29887
Navistar - 4.500" Shaft	45157	45160		594-A VP/ 592-A VP ▲SET403	BR580/ BR572 ▲SET401	Inner	45150
Peterbilt - 4.375" Shaft		43875		BR598/ 592-A VP	BR575/ BR572		
Peterbilt - 4.766" Shaft	✧ 47692 (Reorder:) 47691	47697 or 47698 ⁵	47693	BR598/ 592-A VP	BR575/ BR572	Inner	43820
White		43860		BR598/ 592-A VP	BR575/ BR572		
GMC - 4.766" Shaft & 6.006" Seal O.D.		47690		594-A VP/ 592-A VP ▲SET403	BR580/ BR572 ▲SET401		
36 Ford - 4.375" Shaft		43860		BR595/ 592-A VP	BR580/ BR572 ▲SET401	Inner	43820
Ford - 4.500" Shaft	45157	45160		BR595/ 592-A VP	BR580/ BR572 ▲SET401	Inner	45150
Mack Midliner				BR594/ 593-X VP	BR594/ 593-X VP		
Navistar - 4.375" Shaft		43860		BR595/ 592-A VP	BR582/ BR572 ▲SET402	Inner	43820
Navistar - 4.375" Shaft & 3.625" Inner Cone I.D. ...		43860		BR598/ 592-A VP	BR575/ BR572		
Navistar - 4.500" Shaft	45157	45160		594-A VP/ 592-A VP ▲SET403	BR580/ BR572 ▲SET401	Outer	29887
						Inner	45150
37 Ford	✧ 47692 (Reorder:) 47691	47697 or 47698 ⁵	47693	594-A VP/ 592-A VP ▲SET403	BR580/ BR572 ▲SET401	Inner - Seal w/Sleeve	49050
GMC	45157	45160		BR594/ 592-A VP	BR580/ BR572 ▲SET401	Inner	45150
Navistar	45157	45160		594-A VP/ 592-A VP ▲SET403	BR580/ BR572 ▲SET401	Outer	29887
						Inner	45150
38 Navistar		50124		BR760/ BR752	BR749/ BR742	Outer	29887
						Inner	49966
39 3.375" Inner Cone I.D.	43754	43752		665-A VP/ BR653	HM212049 VP/ HM212011 VP ▲SET413		
40 3.543" Inner Cone I.D.	46300	46305	46308	HM218248 VP/ HM218210 VP ▲SET414	HM212049 VP/ HM212011 VP ▲SET413		
41 Ford, IHC, White	38776	38780		BR47686/ BR47620 ▲SET411	BR39590/ BR39520 ▲SET408		

For in-text symbols, see page 5A.

Mfr Line Number	Scotseal® PlusXL	Scotseal® Classic	Scotseal® Longlife	Inner (Cone/Cup)	Outer (Cone/Cup)	Grease Seal Location	Number
Eaton (continued)							
GMC, REO		38750		BR47686/ BR47620 ▲SET411	BR39590/ BR39520 ▲SET408		
42 3.000" Inner Cone I.D.		39420		495-AX VP/ BR493	BR3984/ BR3920		
43 3.000" Inner Cone I.D.	38776	38780		BR5760/ BR5735	BR575/ BR572		
44 Ford - 3.750" Inner Cone I.D.	◇ 47692 (Reorder:) 47691	47697 or 47698 ⁵	47693	594-A VP/ 592-A VP ▲SET403	BR580/ BR572 ▲SET401		
GMC - 3.625" Inner Cone I.D.	◇ 47692 (Reorder:) 47691	47697 or 47698 ⁵	47693	598-A VP/ 592-A VP ▲SET404	BR580/ BR572 ▲SET401		
Ford - 4.500" Shaft	45157	45160		594-A VP/ 592-A VP ▲SET403	BR580/ BR572 ▲SET401		
GMC - 4.500" Shaft	45157	45160		598-A VP/ 592-A VP ▲SET404	BR580/ BR572 ▲SET401		
Ford - 4.766" Shaft	48002	48000		594-A VP/ 592-A VP ▲SET403	BR580/ BR572 ▲SET401		
GMC - 4.766" Shaft	48002	48000		598-A VP/ 592-A VP ▲SET404	BR580/ BR572 ▲SET401		
45 4.375" Shaft		43860		BR595/ 592-A VP	BR580/ BR572 ▲SET401		
4.500" Shaft	45157	45160		BR595/ 592-A VP	BR580/ BR572 ▲SET401		
46 4.500" Shaft	45157	45160		BR760/ BR752	BR749/ BR742		
4.875" Shaft		48884		BR760/ BR752	BR749/ BR742		
47 Ford - 4.500" Shaft 6.259" Seal O.D.	45157	45160		594-A VP/ 592-A VP ▲SET403	BR580/ BR572 ▲SET401		
Ford - 4.766" Shaft 6.316" Seal O.D.	◇ 47692 (Reorder:) 47691	47697 or 47698 ⁵	47693	594-A VP/ 592-A VP ▲SET403	BR580/ BR572 ▲SET401		
Ford - 4.766" Shaft 6.259" Seal O.D.	48002	48000		594-A VP/ 592-A VP ▲SET403	BR580/ BR572 ▲SET401		
GMC - 4.500" Shaft & 6.259" Seal O.D.	45157	45160		598-A VP/ 592-A VP ▲SET404	BR580/ BR572 ▲SET401		

**A
P
P
L
I
C
A
T
I
O
N
S**

**T
R
A
I
L
E
R
,
T
A
G
&
P
U
S
H
E
R
A
X
L
E
S**

**F
R
O
N
T
A
X
L
E
S**

**D
R
I
V
E
A
X
L
E
S**

**M
E
D
I
U
M
T
R
U
C
K**

Mfr Line Number	Scotseal® PlusXL	Scotseal® Classic	Scotseal® Longlife	Inner (Cone/Cup)	Outer (Cone/Cup)	Grease Seal Location	Number
Eaton (continued)							
GMC - 4.766" Shaft & 6.259" Seal O.D.	48002	48000		598-A VP/ 592-A VP ▲SET404	BR580/ BR572 ▲SET401		
GMC - 4.766" Shaft & 6.316" Seal O.D.	◇ 47692 (Reorder:) 47691	47697 or 47698 ⁵	47693	598-A VP/ 592-A VP ▲SET404	BR580/ BR572 ▲SET401		
48 3.875" Shaft	38776	38780		BR598/ 592-A VP	BR575/ BR572		
4.375" Shaft		43860		BR598/ 592-A VP	BR575/ BR572		
49 4.375" Shaft		43860		BR598/ 592-A VP	BR575/ BR572		
4.500" Shaft	45157	45160		594-A VP/ 592-A VP ▲SET403	BR580/ BR572 ▲SET401		
50 4.375" Shaft		43860		BR663/ BR652	BR663/ BR652		
4.500" Shaft	45157	45160		BR663/ BR652	BR663/ BR652		
51 Ford	34384	34387		BR33281/ BR33462	BR3982/ BR3920		
IHC, White	34994	35000		BR33281/ BR33462	BR39585/ BR39520		
52				BR663/ BR652	BR663/ BR652		
53		38709		BR42688/ BR42620	BR39585/ BR39520		
54	34384	34387		BR33287/ BR33462	BR3982/ BR3920		
55		39380		495-AX VP/ BR493	BR3984/ BR3920		
56		38709		BR42688/ BR42620	BR39585/ BR39520		
57 Ford, IHC, White	38776	38780		BR566/ BR563	BR3982/ BR3920		
GMC, REO		38750		BR566/ BR563	BR3982/ BR3920		
58	42673	42672		BR663/ BR652	BR663/ BR652		
59 Disc Wheel		43860		BR598/ 592-A VP			
Cast Wheel	38776	38780		BR575/ BR572			

For in-text symbols, see page 5A.

Mfr Line Number	Scotseal® PlusXL	Scotseal® Classic	Scotseal® Longlife	Inner (Cone/Cup)	Outer (Cone/Cup)	Location	Grease Seal Number
--------------------	---------------------	----------------------	-----------------------	---------------------	---------------------	----------	-----------------------

Eaton (continued)

60	45157	45160		BR594/ 592-A VP	BR580/ BR572 ▲ SET401		
61		38750		BR47686/ BR47620 ▲ SET411	BR39590/ BR39520 ▲ SET408		
62				BR665/ BR652	BR663/ BR652		
63	◇ 47692 (Reorder:) 47691	47697 or 47698 ⁵	47693	594-A VP/ 592-A VP ▲ SET403	BR580/ BR572 ▲ SET401		
64		48884		BR760/ BR752	BR665/ BR652		
65		39380		495-AX VP/ BR493	BR3984/ BR3920		
66		39420		495-AX VP/ BR493	BR3984/ BR3920		
67	38776	38780		BR47686/ BR47620 ▲ SET411	BR39590/ BR39520 ▲ SET408		
68		43860		BR598/ 592-A VP	BR575/ BR572		
69				594-A VP/ 592-A VP ▲ SET403			
70	45157	45160		BR594/ 592-A VP	BR580/ BR572 ▲ SET401		
71 Thru 1976		43860		BR598/ 592-A VP	BR575/ BR572		
From 1977	◇ 47692 (Reorder:) 47691	47697	47693	594-A VP/ 592-A VP ▲ SET403	BR580/ BR572 ▲ SET401		
72 Thru 1976	45157	45160		BR594/ 592-A VP	BR580/ BR572 ▲ SET401		

**A
P
P
L
I
C
A
T
I
O
N
S**

**T
R
A
I
L
E
R
,
T
A
G
&
P
U
S
H
E
R
A
X
L
E
S**

**F
R
O
N
T
A
X
L
E
S**

**D
R
I
V
E
A
X
L
E
S**

**M
E
D
I
U
M
T
R
U
C
K**

Mfr Line Number	Scotseal® PlusXL	Scotseal® Classic	Scotseal® Longlife	Inner (Cone/Cup)	Outer (Cone/Cup)	Grease Seal Location	Grease Seal Number
Eaton (continued)							
From 1977	✧ 47692 (Reorder:) 47691	47697	47693	594-A VP/ 592-A VP ▲SET403	BR580/ BR572 ▲SET401		
73	✧ 47692 (Reorder:) 47691	47697	47693	594-A VP/ 592-A VP ▲SET403	BR580/ BR572 ▲SET401		
74					BR580/ BR572 ▲SET401		
75				BR760/ BR752	BR749/ BR742		
76				BR28682/ BR28622 ▲SET407	LM104949 VP/ JLM104910		
77	38776	38780		BR47686/ BR47620 ▲SET411	BR39590/ BR39520 ▲SET408		
78				594-A VP/ 592-A VP ▲SET403	BR580/ BR572 ▲SET401		
79				594-A VP/ 592-A VP ▲SET403	BR580/ BR572 ▲SET401		
80					BR580/ BR572 ▲SET401		
81					594-A VP or BR580/ BR572 ▲SET401		
82				BR760/ BR752	BR749/ BR742		
83				BR782/ BR772	BR6580/ BR6535		
84	38776	38780		BR5760/ BR5735			
85				BR760/ BR752	BR749/ BR742		

For in-text symbols, see page 5A.

Mfr Line Number	Scotseal® PlusXL	Scotseal® Classic	Scotseal® Longlife	Inner (Cone/Cup)	Outer (Cone/Cup)	Grease Seal Location	Grease Seal Number
Eaton (continued)							
86	38776	38780		594-A VP/ 592-A VP ▲SET403	BR580/ BR572 ▲SET401		
87				BR782/ BR772	BR6580/ BR6535		
88				BR760/ BR752	BR749/ BR742		
89				594-A VP/ 592-A VP ▲SET403			
90				RBT10434/ LBT10434	BR3782/ LBT10431		
91				BR760/ BR752	BR749/ BR742		

FWD Axle Model Index

Model	Capacity	See	Line No.	Model	Capacity	See	Line No.
33			8	6-33H			8
33A			8	HR			1
3B			7	LD			2
3C			7	M10			3
3D			8	M10D			3
3SC			7	M10G			3
3SCB			7	M6X6			4
3SD			8	M6X6G			4
3SDC			8	M6X6GM			4
506D			3	M7			5
509			3	M7D			5
509D			3	M7G			5
5454			9	YU			6
5644			7	ZU			6
6-33			8				
6-33AR			8				
6-33ART			8				

Mfr Line Number	Scotseal® PlusXL	Scotseal® Classic	Scotseal® Longlife	Inner (Cone/Cup)	Outer (Cone/Cup)	Grease Seal Location	Grease Seal Number
FWD							
1						Outer	22446
						Inner	36363
2						Inner	32710
3						Inner	26209
4						Axle Shaft	24931

Mfr Line Number	Scotseal® PlusXL	Scotseal® Classic	Scotseal® Longlife	Inner (Cone/Cup)	Outer (Cone/Cup)	Grease Seal Location	Number
FWD (continued)							
5						Axle Shaft	25043
						Inner	47394
6						Inner	32582
7				BR595/ 592-A VP	BR581/ BR572		
8				BR749/ BR742	BR749/ BR742		
9		45152		BR594/ 592-A VP	BR580/ BR572 ▲SET401		

Fargo - See Axle Mfr.

Federal Axle Model Index

Model	Capacity	See	Line No.	Model	Capacity	See	Line No.
2501			1	2521			1
2501T			1	2951			1
2502			1	4401			2
2502T			1	4402			2

Mfr Line Number	Scotseal® PlusXL	Scotseal® Classic	Scotseal® Longlife	Inner (Cone/Cup)	Outer (Cone/Cup)	Grease Seal Location	Number
Federal							
1						Outer Seal Kit	25160
						Inner	39385
2						Inner Seal Kit 4.766" Shaft	1255
						Inner Seal Kit 4.824" Shaft	54930

Flex-True - See Axle Mfr.

Fixible Axle Model Index

Model	Capacity	See	Line No.	Model	Capacity	See	Line No.
182 Series			2	29B150			2
218DWX1			2	29B6			2
218DWX7			2	29HD1			2
218 Series			2	33B7			2
21B1			3	37C1			1
228F1-56			1	FT30			1
228JT1-56			1	FT33			2
23B2			2	FT35			2
23B3			2	FT40			2
25B1			2				
25C149			2				
29B1			2				

For in-text symbols, see page 5A.

Mfr Line Number	Scotseal® PlusXL	Scotseal® Classic	Scotseal® Longlife	Inner (Cone/Cup)	Outer (Cone/Cup)	Grease Seal Location	Number
1		42800					
2						Outer Seal Kit FT40	31378
3						Outer Seal Kit Inner	25160 39385

Flexible (Transit Bus) Axle Model Index

Model	Capacity	See	Line No.	Model	Capacity	See	Line No.
59733WX			1				

Mfr Line Number	Scotseal® PlusXL	Scotseal® Classic	Scotseal® Longlife	Inner (Cone/Cup)	Outer (Cone/Cup)	Grease Seal Location	Number
1		48690		BR6580/ BR6535	BR663/ BR653 ▲SET405		

Ford - See Axle Mfr.

Model	Capacity	See	Line No.	Model	Capacity	See	Line No.
01	23000 lbs	Meritor R202		1C	32000 lbs	Eaton 30DSA	
02	23000 lbs	Meritor R202		1C	32000 lbs	Eaton 30RS	
03	23000 lbs	Meritor R202		1D	32000 lbs	Eaton 30DPC	
04	23000 lbs	Meritor R202		1D	32000 lbs	Eaton 30RPC	
05	23000 lbs	Meritor R202		1E	34000 lbs	Eaton 34MF	
06	23000 lbs	Meritor R202		1E	34000 lbs	Eaton 34MR	
07	23000 lbs	Meritor R202		1F	34000 lbs	Eaton 34DS	
0A	23000 lbs	Meritor R141		1F	34000 lbs	Eaton 34DSA	
0B	23000 lbs	Meritor R141		1F	34000 lbs	Eaton 34RS	
0C	23000 lbs	Meritor R141		1F	34000 lbs	Eaton 34RSA	
0D	23000 lbs	Meritor R141		1G	34000 lbs	Meritor SLDD	
0E	23000 lbs	Meritor R141		1G	34000 lbs	Meritor SLHD	
0F	23000 lbs	Meritor R141		1G	23000 lbs	Eaton 1919	
0F	34000 lbs	Eaton 34DS		1G	23000 lbs	Meritor RS23160	
0F	34000 lbs	Eaton 34RS		1H	34000 lbs	Meritor SLHD	
0G	23000 lbs	Meritor R141		1H	34000 lbs	Meritor LHDA	
0W	34000 lbs	Eaton 34DTA		1H	18500 lbs	Eaton 17800	
0W	34000 lbs	Eaton 34DTC		1H	23000 lbs	Meritor RS23160	
0W	34000 lbs	Eaton 34RTA		1I	38000 lbs	Eaton 38DS	
11	38000 lbs	Meritor SQDD		1I	38000 lbs	Eaton 38RS	
13	42000 lbs	Eaton 42DP		1J	22000 lbs	Eaton 8802	
13	42000 lbs	Eaton 42RP		1J	22000 lbs	Eaton 8803	
14	44000 lbs	Meritor SRDD		1J	23000 lbs	Meritor RS23160	
15	58000 lbs	Meritor SUDD		1K	22000 lbs	Eaton 1880	
15	44000 lbs	Meritor SRDD		1K	22000 lbs	Eaton 1881	
17	38000 lbs	Eaton 38DSA		1K	23000 lbs	Meritor RS23160	
17	38000 lbs	Eaton 38RSA		1L	38000 lbs	Eaton DS380	
18	38000 lbs	Eaton 38DPA		1L	38000 lbs	Eaton DS381	
18	38000 lbs	Eaton 38RPA		1L	32000 lbs	Eaton 30DTA	
19	38000 lbs	Meritor QHDA		1L	32000 lbs	Eaton 30RTA	
19	38000 lbs	Meritor SQHD		1M	23000 lbs	Meritor RS23160	
1A	22000 lbs	Eaton 22MF		1M	44000 lbs	Eaton 44DS	
1A	22000 lbs	Eaton 22MR		1N	34000 lbs	Eaton 34DP	
1A	23000 lbs	Meritor R170		1N	34000 lbs	Eaton 34DPA	
1B	22000 lbs	Eaton 18802		1N	34000 lbs	Eaton 34DPH	
1B	22000 lbs	Eaton 18803		1N	34000 lbs	Eaton 34RP	
1C	34000 lbs	Eaton DS340		1N	34000 lbs	Eaton 34RPA	
1C	34000 lbs	Eaton DS341		1N	34000 lbs	Eaton 34RPH	
				1P	23000 lbs	Eaton 19801	

Ford - See Axle Mfr. (continued)

Model	Capacity	See	Line No.	Model	Capacity	See	Line No.
1Q	18500 lbs	Eaton 1790A		2L	32000 lbs	Eaton 30RTA	
1Q	18500 lbs	Eaton 1791A		2M	44000 lbs	Eaton 44DS	
1R	38000 lbs	Eaton 38DP		2M	21000 lbs	Eaton RP381	
1R	38000 lbs	Eaton 38RP		2N	34000 lbs	Eaton 34DP	
1T	15000 lbs	Meritor F106		2N	34000 lbs	Eaton 34RP	
1T	23000 lbs	Meritor R170		2N	21000 lbs	Eaton 38R3	
1T	34000 lbs	Eaton 34DT		2P	21000 lbs	Meritor SLHD	
1T	34000 lbs	Eaton 34D3		2P	23000 lbs	Eaton 19801	
1T	34000 lbs	Eaton 34RT		2Q	18500 lbs	Eaton 1790A	
1T	34000 lbs	Eaton 34R3		2Q	18500 lbs	Eaton 1791A	
1U	38000 lbs	Meritor SQHP		2R	38000 lbs	Eaton 38DP	
1U	38000 lbs	Eaton 38DT		2R	38000 lbs	Eaton 38RP	
1U	38000 lbs	Eaton 38RT		2T	15000 lbs	Meritor F106	
1U	40000 lbs	Eaton 38R3		2T	23000 lbs	Meritor R170	
1V	38000 lbs	Eaton DP381		2T	34000 lbs	Eaton 34DT	
1W	34000 lbs	Eaton 34DTA		2T	34000 lbs	Eaton 34D3	
1W	34000 lbs	Eaton 34RTA		2T	34000 lbs	Eaton 34RT	
1X	44000 lbs	Eaton DP440P		2T	34000 lbs	Eaton 34R3	
1X	23000 lbs	Eaton 9503		2U	38000 lbs	Eaton 38DT	
1X	46000 lbs	Eaton 38R3		2U	38000 lbs	Eaton 38RT	
1Y	44000 lbs	Meritor SSHD		2V	42000 lbs	Eaton 42D	
1Z	38000 lbs	Eaton 38D3		2W	34000 lbs	Eaton 34DTA	
1Z	38000 lbs	Eaton 38R3		2W	34000 lbs	Eaton 34RT	
21	38000 lbs	Meritor SQDD		2W	34000 lbs	Eaton 34RTA	
23	44000 lbs	Eaton 42DP		2X	44000 lbs	Eaton DP440P	
24	44000 lbs	Meritor SRDD		2X	46000 lbs	Meritor SLHD	
25	58000 lbs	Meritor SUDD		2X	23000 lbs	Eaton 9503	
27	38000 lbs	Eaton 38DSA		2Y	46000 lbs	Meritor SLHD	
27	38000 lbs	Eaton 38RSA		2Y	44000 lbs	Meritor SSHD	
29	19000 lbs	Eaton P174		2Z	38000 lbs	Eaton 38D3	
29	23000 lbs	Eaton 1919		2Z	38000 lbs	Eaton 38R3	
29	21000 lbs	Eaton RP381		30	11000 lbs	Meritor RS13120	
2A	22000 lbs	Eaton 22MF		32	11000 lbs	Meritor RS13120	
2A	22000 lbs	Eaton 22MR		34	11000 lbs	Meritor RS13120	
2A	23000 lbs	Meritor R170		37	38000 lbs	Eaton 38DSA	
2B	22000 lbs	Eaton 18802		37	38000 lbs	Eaton 38RSA	
2B	22000 lbs	Eaton 18803		38	38000 lbs	Eaton 38DPA	
2B	28000 lbs	Eaton 28MFA		38	38000 lbs	Eaton 38RPA	
2B	28000 lbs	Eaton 28MRA		39	38000 lbs	Meritor QHDA	
2C	34000 lbs	Eaton DS340		39	38000 lbs	Meritor SQHD	
2C	34000 lbs	Eaton DS341		3A	23000 lbs	Meritor R170	
2C	32000 lbs	Eaton 30DSA		3B	22000 lbs	Eaton 18802	
2C	32000 lbs	Eaton 30RSA		3B	22000 lbs	Eaton 18803	
2D	32000 lbs	Eaton 30DPA		3B	17500 lbs	Meritor H601	
2D	32000 lbs	Eaton 30RPA		3C	34000 lbs	Eaton DS340	
2E	34000 lbs	Eaton 34MF		3C	34000 lbs	Eaton DS341	
2E	34000 lbs	Eaton 34MR		3C	32000 lbs	Eaton 30DSA	
2E	21000 lbs	Eaton RP381		3C	32000 lbs	Eaton 30RSA	
2F	34000 lbs	Eaton 34DS		3D	32000 lbs	Eaton 30DPA	
2F	34000 lbs	Eaton 34DSA		3D	32000 lbs	Eaton 30RPA	
2F	34000 lbs	Eaton 34RS		3E	34000 lbs	Eaton 34MF	
2F	34000 lbs	Eaton 34RSA		3E	34000 lbs	Eaton 34MR	
2F	21000 lbs	Eaton RP381		3E	21000 lbs	Eaton RP381	
2G	34000 lbs	Meritor SLDD		3F	34000 lbs	Eaton 34DS	
2G	34000 lbs	Meritor SLHD		3F	34000 lbs	Eaton 34DSA	
2G	23000 lbs	Eaton 1919		3F	34000 lbs	Eaton 34RS	
2G	21000 lbs	Eaton RP381		3F	34000 lbs	Eaton 34RSA	
2H	34000 lbs	Meritor LHDA		3F	21000 lbs	Eaton RP381	
2H	34000 lbs	Meritor SLHD		3G	34000 lbs	Meritor SLDD	
2H	21000 lbs	Eaton RP381		3G	34000 lbs	Meritor SLHD	
2I	38000 lbs	Eaton 38DS		3G	23000 lbs	Eaton 1919	
2I	38000 lbs	Eaton 38RS		3G	21000 lbs	Eaton RP381	
2J	22000 lbs	Eaton 8802		3H	34000 lbs	Meritor SLHD	
2J	22000 lbs	Eaton 8803		3H	34000 lbs	Meritor LHDA	
2J	21000 lbs	Eaton RP381		3H	18500 lbs	Eaton 17800	
2K	22000 lbs	Eaton 1880		3H	18500 lbs	Eaton 17801	
2K	22000 lbs	Eaton 1881		3H	21000 lbs	Eaton RP381	
2K	21000 lbs	Eaton RP381		3I	38000 lbs	Eaton 38DS	
2L	38000 lbs	Eaton DS380		3I	38000 lbs	Eaton 38DSC	
2L	38000 lbs	Eaton DS381		3I	38000 lbs	Eaton 38RS	
2L	32000 lbs	Eaton 30DTA					

For in-text symbols, see page 5A.

Ford - See Axle Mfr. (continued)

Model	Capacity	See	Line No.	Model	Capacity	See	Line No.
3J	22000 lbs	Eaton 8802		4D	32000 lbs	Eaton 30DP	
3J	22000 lbs	Eaton 8803		4D	32000 lbs	Eaton 30DPA	
3J	21000 lbs	Eaton RP381		4D	32000 lbs	Eaton 30RP	
3K	22000 lbs	Eaton 1880		4D	32000 lbs	Eaton 30RPA	
3K	22000 lbs	Eaton 1881		4E	34000 lbs	Meritor SLHD	
3K	21000 lbs	Eaton RP381		4E	34000 lbs	Eaton 34MF	
3L	38000 lbs	Eaton DS380		4E	34000 lbs	Eaton 34MR	
3L	38000 lbs	Eaton DS381		4F	34000 lbs	Meritor SLHD	
3L	32000 lbs	Eaton 30DTA		4F	34000 lbs	Eaton 34DS	
3L	32000 lbs	Eaton 30RTA		4F	34000 lbs	Eaton 34DSA	
3M	21000 lbs	Eaton 38R3		4F	34000 lbs	Eaton 34RS	
3M	44000 lbs	Eaton 44DS		4F	34000 lbs	Eaton 34RSA	
3N	34000 lbs	Eaton 34DP		4G	19000 lbs	Eaton P601	
3N	34000 lbs	Eaton 34DPA		4G	34000 lbs	Meritor SLDD	
3N	34000 lbs	Eaton 34DPH		4G	34000 lbs	Meritor SLHD	
3N	34000 lbs	Eaton 34RP		4G	23000 lbs	Eaton 1919	
3N	34000 lbs	Eaton 34RPA		4H	34000 lbs	Meritor LHDA	
3N	34000 lbs	Eaton 34RPH		4H	34000 lbs	Meritor SLHD	
3N	21000 lbs	Eaton RP381		4H	18500 lbs	Eaton 17800	
3P	23000 lbs	Eaton 19801		4H	18500 lbs	Eaton 17801	
3Q	34000 lbs	Meritor RS17140		4I	38000 lbs	Eaton 38DS	
3Q	18500 lbs	Eaton 1790A		4I	38000 lbs	Eaton 38RS	
3Q	18500 lbs	Eaton 1791A		4K	22000 lbs	Eaton 1880	
3R	38000 lbs	Eaton 38DP		4K	22000 lbs	Eaton 1881	
3R	38000 lbs	Eaton 38RP		4L	38000 lbs	Eaton DS380	
3S	32000 lbs	Eaton 30D3		4L	38000 lbs	Eaton DS381	
3S	32000 lbs	Eaton 30R3		4N	34000 lbs	Eaton 34DP	
3S	21000 lbs	Eaton RP381		4N	34000 lbs	Eaton 34RPA	
3T	15000 lbs	Meritor F106		4P	23000 lbs	Eaton 19801	
3T	23000 lbs	Meritor R170		4Q	18500 lbs	Eaton 1790A	
3T	34000 lbs	Eaton 34DT		4Q	18500 lbs	Eaton 1791A	
3T	34000 lbs	Eaton 34D3		4R	38000 lbs	Eaton 38DP	
3T	34000 lbs	Eaton 34RT		4R	38000 lbs	Eaton 38RP	
3T	34000 lbs	Eaton 34R3		4S	32000 lbs	Eaton 30D3	
3U	38000 lbs	Meritor SQHP		4S	32000 lbs	Eaton 30DT	
3U	38000 lbs	Eaton 38DT		4S	32000 lbs	Eaton 30R3	
3U	38000 lbs	Eaton 38RT		4S	32000 lbs	Eaton 30RT	
3U	46000 lbs	Eaton 38R3		4T	34000 lbs	Eaton 34DT	
3W	34000 lbs	Eaton 34DTA		4T	34000 lbs	Eaton 34D3	
3W	34000 lbs	Eaton 34RTA		4T	34000 lbs	Eaton 34RT	
3X	44000 lbs	Eaton DP440P		4T	34000 lbs	Eaton 34R3	
3Y	44000 lbs	Meritor SSHD		4U	38000 lbs	Eaton 38DT	
3Z	38000 lbs	Eaton 38D3		4U	38000 lbs	Eaton 38RT	
3Z	38000 lbs	Eaton 38R3		4W	34000 lbs	Eaton 34DTA	
41	13000 lbs	Meritor D140		4W	34000 lbs	Eaton 34RTA	
41	21000 lbs	Eaton RP381		4Y	44000 lbs	Meritor SSHD	
42	13000 lbs	Meritor D140		4Y	46000 lbs	Eaton 38R3	
42	21000 lbs	Eaton RP381		4Z	38000 lbs	Eaton 38D3	
43	13000 lbs	Meritor D140		4Z	38000 lbs	Eaton 38R3	
43	23000 lbs	Meritor SLHD		51	17500 lbs	Meritor H172	
44	13000 lbs	Meritor D140		51	17500 lbs	Meritor RS17140	
44	23000 lbs	Meritor SLHD		51	17500 lbs	Meritor H170	
45	13000 lbs	Meritor D140		52	17500 lbs	Meritor H172	
45	23000 lbs	Meritor SLHD		52	17500 lbs	Meritor RS17140	
47	13000 lbs	Meritor D140		52	17500 lbs	Meritor H170	
47	38000 lbs	Eaton 38DSA		52	17500 lbs	Meritor H172	
47	38000 lbs	Eaton 38RSA		53	17500 lbs	Meritor RS17140	
48	38000 lbs	Meritor SQDD		53	15000 lbs	Meritor DH	
48	38000 lbs	Eaton 38DPA		53	17500 lbs	Meritor H170	
48	38000 lbs	Eaton 38RPA		54	17500 lbs	Meritor H172	
49	38000 lbs	Meritor QHDA		54	17500 lbs	Meritor RS17140	
49	38000 lbs	Meritor SQDD		54	14000 lbs	Meritor DH	
49	38000 lbs	Meritor SQHD		54	17500 lbs	Meritor H170	
4A	23000 lbs	Meritor R170		55	17500 lbs	Meritor H172	
4B	22000 lbs	Eaton 18802		55	17500 lbs	Meritor RS17140	
4B	22000 lbs	Eaton 18803		55	17500 lbs	Meritor H170	
4C	34000 lbs	Eaton DS340		56	17500 lbs	Meritor RS17140	
4C	34000 lbs	Eaton DS341		57	17500 lbs	Meritor RS17140	
4C	32000 lbs	Eaton 30DS		57	38000 lbs	Eaton 38DSA	
4C	32000 lbs	Eaton 30DSA		57	38000 lbs	Eaton 38RSA	
4C	32000 lbs	Eaton 30RS		58	17500 lbs	Meritor RS17140	
4C	32000 lbs	Eaton 30RSA					

**A
P
P
L
I
C
A
T
I
O
N
S**

**T
R
A
I
L
E
R
,
T
A
G
&
P
U
S
H
E
R
A
X
L
E
S**

**F
R
O
N
T
A
X
L
E
S**

**D
R
I
V
E
A
X
L
E
S**

**M
E
D
I
U
M
T
R
U
C
K**

For in-text symbols, see page 5A.

Ford - See Axle Mfr. (continued)

Model	Capacity	See	Line No.	Model	Capacity	See	Line No.
58	38000 lbs	Eaton 38DPA		68	38000 lbs	Eaton 38DPA	
58	38000 lbs	Eaton 38RPA		68	38000 lbs	Eaton 38RPA	
59	17500 lbs	Meritor RS17140		69	38000 lbs	Meritor QHDA	
59	38000 lbs	Meritor QHDA		69	38000 lbs	Meritor SQHD	
59	38000 lbs	Meritor SQHD		6A	23000 lbs	Meritor R170	
5A	23000 lbs	Meritor R170		6B	22000 lbs	Eaton 18802	
5B	22000 lbs	Eaton 18802		6B	22000 lbs	Eaton 18803	
5B	22000 lbs	Eaton 18803		6C	34000 lbs	Eaton DS340	
5C	34000 lbs	Eaton DS340		6C	34000 lbs	Eaton DS341	
5C	34000 lbs	Eaton DS341		6C	32000 lbs	Eaton 30DS	
5C	32000 lbs	Eaton 30DS		6C	32000 lbs	Eaton 30DSA	
5C	32000 lbs	Eaton 30DSA		6C	32000 lbs	Eaton 30RS	
5C	32000 lbs	Eaton 30RS		6C	32000 lbs	Eaton 30RSA	
5C	32000 lbs	Eaton 30RSA		6D	32000 lbs	Eaton 30DPA	
5D	32000 lbs	Eaton 30DPA		6D	32000 lbs	Eaton 30RPA	
5E	34000 lbs	Eaton 34MF		6E	34000 lbs	Eaton 34MF	
5E	34000 lbs	Eaton 34MR		6E	34000 lbs	Eaton 34MR	
5F	34000 lbs	Eaton 34DS		6F	34000 lbs	Eaton 34DS	
5F	34000 lbs	Eaton 34DSA		6F	34000 lbs	Eaton 34DSA	
5F	34000 lbs	Eaton 34RS		6F	34000 lbs	Eaton 34RS	
5F	34000 lbs	Eaton 34RSA		6F	34000 lbs	Eaton 34RSA	
5F	34000 lbs	Eaton 34RSC		6G	34000 lbs	Meritor RS17140	
5G	34000 lbs	Meritor SLDD		6G	23000 lbs	Eaton 1919	
5G	23000 lbs	Eaton 1919		6H	34000 lbs	Meritor LHDA	
5H	34000 lbs	Meritor LHDA		6H	34000 lbs	Meritor SLHD	
5H	34000 lbs	Meritor SLHD		6H	18500 lbs	Eaton 17800	
5H	18500 lbs	Eaton 17800		6H	18500 lbs	Eaton 17801	
5H	18500 lbs	Eaton 17801		6I	38000 lbs	Eaton 38DS	
5I	38000 lbs	Eaton 38DS		6I	38000 lbs	Eaton 38RS	
5I	38000 lbs	Eaton 38RS		6K	22000 lbs	Eaton 1880	
5K	22000 lbs	Eaton 1880		6K	22000 lbs	Eaton 1881	
5K	22000 lbs	Eaton 1881		6L	38000 lbs	Eaton DS380	
5L	38000 lbs	Eaton DS380		6L	38000 lbs	Eaton DS381	
5L	38000 lbs	Eaton DS381		6L	32000 lbs	Eaton 30DTA	
5L	32000 lbs	Eaton 30DTA		6L	32000 lbs	Eaton 30RTA	
5L	32000 lbs	Eaton 30RTA		6N	34000 lbs	Eaton 34DP	
5N	34000 lbs	Eaton 34DP		6N	34000 lbs	Eaton 34RP	
5N	34000 lbs	Eaton 34DPA		6P	23000 lbs	Eaton 19801	
5N	34000 lbs	Eaton 34DPH		6Q	18500 lbs	Eaton 1790A	
5N	34000 lbs	Eaton 34RP		6Q	18500 lbs	Eaton 1791A	
5N	34000 lbs	Eaton 34RPA		6R	38000 lbs	Eaton 38DP	
5N	34000 lbs	Eaton 34RPH		6R	38000 lbs	Eaton 38RP	
5P	23000 lbs	Eaton 19801		6S	32000 lbs	Eaton 30DT	
5Q	18500 lbs	Eaton 1790A		6S	32000 lbs	Eaton 30D3	
5Q	18500 lbs	Eaton 1791A		6S	32000 lbs	Eaton 30RT	
5R	38000 lbs	Eaton 38DP		6S	32000 lbs	Eaton 30R3	
5R	38000 lbs	Eaton 38RP		6T	34000 lbs	Eaton 34DT	
5S	32000 lbs	Eaton 30DT		6T	34000 lbs	Eaton 34D3	
5S	32000 lbs	Eaton 30D3		6T	34000 lbs	Eaton 34RT	
5S	32000 lbs	Eaton 30RS		6T	34000 lbs	Eaton 34R3	
5S	32000 lbs	Eaton 30RT		6U	38000 lbs	Eaton 38DT	
5T	34000 lbs	Eaton 34DT		6U	38000 lbs	Eaton 38RT	
5T	34000 lbs	Eaton 34D3		6W	34000 lbs	Eaton 34DTA	
5T	34000 lbs	Eaton 34RT		6W	34000 lbs	Eaton 34RTA	
5T	34000 lbs	Eaton 34R3		6Y	44000 lbs	Meritor SSHD	
5U	17500 lbs	Meritor RS17140		6Y	46000 lbs	Eaton 38R3	
5U	38000 lbs	Eaton 38DT		6Z	38000 lbs	Eaton 38D3	
5U	38000 lbs	Eaton 38RT		6Z	38000 lbs	Eaton 38R3	
5W	34000 lbs	Eaton 34DTA		71	17000 lbs	Meritor H140	
5W	34000 lbs	Eaton 34RTA		71	38000 lbs	Meritor SQ100	
5Y	44000 lbs	Meritor SSHD		72	17000 lbs	Meritor H140	
5Y	46000 lbs	Eaton 38R3		72	17000 lbs	Eaton 1614	
5Z	38000 lbs	Eaton 38D3		72	38000 lbs	Meritor SQ100	
5Z	38000 lbs	Eaton 38RS		73	17000 lbs	Meritor H140	
61	15000 lbs	Meritor F106		73	17000 lbs	Eaton 1614	
62	15000 lbs	Meritor F106		74	17000 lbs	Meritor H140	
63	15000 lbs	Meritor F106		75	17000 lbs	Meritor H140	
64	15000 lbs	Meritor F106		75	17000 lbs	Eaton 16120	
65	15000 lbs	Meritor F106		75	17000 lbs	Eaton 1614	
66	15000 lbs	Meritor F106		76	17000 lbs	Meritor H140	
67	15000 lbs	Meritor F106		77	17000 lbs	Meritor H140	
68	15000 lbs	Meritor F106		78	17000 lbs	Meritor H140	

For in-text symbols, see page 5A.

Ford - See Axle Mfr. (continued)

Model	Capacity	See	Line No.	Model	Capacity	See	Line No.
78	38000 lbs	Eaton 38DPA		84	18500 lbs	Eaton 1791	
78	38000 lbs	Eaton 38RPA		85	23000 lbs	Meritor R171	
79	17000 lbs	Meritor H140		86	40000 lbs	Meritor SL100	
79	38000 lbs	Meritor SQHD		86	18500 lbs	Eaton 1790	
7A	23000 lbs	Meritor R170		86	18500 lbs	Eaton 1791	
7B	22000 lbs	Eaton 18802		87	40000 lbs	Meritor SL100	
7B	22000 lbs	Eaton 18803		87	18500 lbs	Eaton 1790	
7C	34000 lbs	Eaton DS340		87	18500 lbs	Eaton 1791	
7C	34000 lbs	Eaton DS341		88	18500 lbs	Eaton 1790	
7C	32000 lbs	Eaton 30DS		88	18500 lbs	Eaton 1791	
7C	32000 lbs	Eaton 30DSA		89	18500 lbs	Eaton 1790	
7C	32000 lbs	Eaton 30RS		89	18500 lbs	Eaton 1791	
7C	32000 lbs	Eaton 30RSA		89	40000 lbs	Eaton 38R3	
7F	34000 lbs	Eaton 34DS		8A	23000 lbs	Meritor R170	
7F	34000 lbs	Eaton 34DSA		8B	22000 lbs	Eaton 18802	
7F	34000 lbs	Eaton 34RS		8B	22000 lbs	Eaton 18803	
7F	34000 lbs	Eaton 34RSA		8B	40000 lbs	Meritor SLHD	
7F	34000 lbs	Eaton 34RSC		8C	34000 lbs	Eaton DS340	
7G	23000 lbs	Eaton 1919		8C	34000 lbs	Eaton DS341	
7H	18500 lbs	Eaton 17800		8C	32000 lbs	Eaton 30DS	
7H	18500 lbs	Eaton 17801		8C	32000 lbs	Eaton 30DSA	
7I	38000 lbs	Eaton 38DS		8C	32000 lbs	Eaton 30RS	
7I	38000 lbs	Eaton 38RS		8C	32000 lbs	Eaton 30RSA	
7J	46000 lbs	Eaton 38R3		8D	40000 lbs	Meritor SLHD	
7K	22000 lbs	Eaton 1880		8E	40000 lbs	Meritor SLHD	
7K	22000 lbs	Eaton 1881		8F	40000 lbs	Meritor SLHD	
7K	46000 lbs	Eaton 38R3		8F	34000 lbs	Eaton 34DS	
7L	38000 lbs	Eaton DS380		8F	34000 lbs	Eaton 34DSA	
7L	38000 lbs	Eaton DS381		8F	34000 lbs	Eaton 34RS	
7L	32000 lbs	Eaton 30DTA		8F	34000 lbs	Eaton 34RSA	
7L	32000 lbs	Eaton 30RTA		8G	40000 lbs	Meritor SLHD	
7M	46000 lbs	Meritor SLHD		8G	23000 lbs	Eaton 1919	
7N	34000 lbs	Eaton 34DP		8H	40000 lbs	Meritor SLHD	
7N	34000 lbs	Eaton 34RP		8H	18500 lbs	Eaton 17800	
7P	23000 lbs	Eaton 19801		8H	18500 lbs	Eaton 17801	
7Q	46000 lbs	Meritor SLHD		8I	38000 lbs	Eaton 38DS	
7Q	18500 lbs	Eaton 1790A		8I	38000 lbs	Eaton 38RS	
7Q	18500 lbs	Eaton 1791A		8J	40000 lbs	Meritor SLHD	
7R	38000 lbs	Eaton 38DP		8K	40000 lbs	Meritor SLHD	
7R	38000 lbs	Eaton 38RP		8L	38000 lbs	Eaton DS380	
7S	46000 lbs	Meritor SLHD		8L	38000 lbs	Eaton DS381	
7S	32000 lbs	Eaton 30D3		8N	34000 lbs	Eaton 34DP	
7S	32000 lbs	Eaton 30DT		8N	34000 lbs	Eaton 34RP	
7S	32000 lbs	Eaton 30R3		8P	23000 lbs	Eaton 19801	
7S	32000 lbs	Eaton 30RT		8Q	18500 lbs	Eaton 1790A	
7T	34000 lbs	Eaton 34DT		8Q	18500 lbs	Eaton 1791A	
7T	34000 lbs	Eaton 34D3		8T	34000 lbs	Eaton 34D3	
7T	34000 lbs	Eaton 34RT		8T	34000 lbs	Eaton 34DT	
7T	34000 lbs	Eaton 34R3		8T	34000 lbs	Eaton 34R3	
7U	46000 lbs	Meritor SLHD		8T	34000 lbs	Eaton 34RT	
7U	38000 lbs	Eaton 38DT		8W	34000 lbs	Eaton 34DTA	
7U	38000 lbs	Eaton 38RT		8W	34000 lbs	Eaton 34RTA	
7W	46000 lbs	Meritor SLHD		8Y	44000 lbs	Meritor SSHD	
7W	34000 lbs	Eaton 34DTA		90	23000 lbs	Meritor R171	
7Y	46000 lbs	Meritor SLHD		91	34000 lbs	Meritor SL100	
7Y	44000 lbs	Meritor SSHD		91	18500 lbs	Eaton 1790	
7Z	38000 lbs	Eaton 38D3		91	18500 lbs	Eaton 1791	
7Z	38000 lbs	Eaton 38R3		91	23000 lbs	Meritor R171	
80	23000 lbs	Meritor R171		92	34000 lbs	Meritor SL100	
81	40000 lbs	Meritor SL100		92	18500 lbs	Eaton 1790	
81	18500 lbs	Eaton 1790		92	18500 lbs	Eaton 1791	
81	18500 lbs	Eaton 1791		92	23000 lbs	Meritor R171	
81	23000 lbs	Meritor R171		92	34000 lbs	Meritor SQ100	
82	40000 lbs	Meritor SL100		93	34000 lbs	Meritor SL100	
82	18500 lbs	Eaton 1790		93	18500 lbs	Eaton 1790	
82	18500 lbs	Eaton 1791		93	18500 lbs	Eaton 1791	
82	23000 lbs	Meritor R171		93	23000 lbs	Meritor R171	
83	40000 lbs	Meritor SL100		94	34000 lbs	Meritor SL100	
83	18500 lbs	Eaton 1790		94	23000 lbs	Meritor R171	
83	18500 lbs	Eaton 1791		94	34000 lbs	Meritor SQ100	
83	23000 lbs	Meritor R171		95	34000 lbs	Meritor SL100	
84	18500 lbs	Eaton 1790		95	23000 lbs	Meritor R171	

Ford - See Axle Mfr. (continued)

Model	Capacity	See	Line No.	Model	Capacity	See	Line No.
95	34000 lbs	Meritor SQ100		AQ	38000 lbs	Meritor SQHD	
96	23000 lbs	Meritor R171		AR	38000 lbs	Meritor SQHD	
97	23000 lbs	Meritor R171		AR	38000 lbs	Eaton 38DP	
98	38000 lbs	Eaton 38DPA		AR	38000 lbs	Eaton 38DPA	
98	38000 lbs	Eaton 38DPA		AR	38000 lbs	Eaton 38DPC	
9A	23000 lbs	Meritor R170		AR	38000 lbs	Eaton 38DPE	
9C	34000 lbs	Eaton DS340		AR	38000 lbs	Eaton 38RP	
9C	34000 lbs	Eaton DS341		AR	38000 lbs	Eaton 38RPC	
9F	34000 lbs	Eaton 34DS		AS	19000 lbs	Eaton 17101	
9F	34000 lbs	Eaton 34RS		AT	34000 lbs	Eaton 30DTC	
9F	34000 lbs	Eaton 34RSE		AU	34000 lbs	Eaton DT341	
9J	23000 lbs	Meritor RS23180		AV	34000 lbs	Meritor RS17140	
9K	23000 lbs	Meritor RS23180		AV	44000 lbs	Eaton 38R3	
9L	38000 lbs	Eaton DS380		AV	42000 lbs	Eaton 42DP	
9L	38000 lbs	Eaton DS381		AV	42000 lbs	Eaton 42DPB	
9M	23000 lbs	Meritor RS23180		AV	42000 lbs	Eaton 42RP	
9N	23000 lbs	Meritor RS23180		AW	34000 lbs	Eaton 34DT	
9P	23000 lbs	Meritor RS23180		AW	34000 lbs	Eaton 34DTC	
9Q	18500 lbs	Eaton 1790A		AW	34000 lbs	Eaton 34RT	
9Q	18500 lbs	Eaton 1791A		AW	34000 lbs	Eaton 34RTC	
9Q	23000 lbs	Meritor RS23180		AX	50000 lbs	Eaton 50DP	
9R	23000 lbs	Meritor RS23180		AX	23000 lbs	Eaton 19301	
9S	23000 lbs	Meritor RS23180		AZ	38000 lbs	Eaton 38DTC3	
9T	34000 lbs	Eaton 34DT		AZ	38000 lbs	Eaton 38DT3	
9T	34000 lbs	Eaton 34RT		AZ	38000 lbs	Eaton 38RTC3	
9U	23000 lbs	Meritor RS23180		AZ	38000 lbs	Eaton 38RT3	
9W	34000 lbs	Eaton 34DTA		B	34000 lbs	Meritor R141	
9W	34000 lbs	Eaton 34RTA		B0	34000 lbs	Meritor SLHD	
9X	23000 lbs	Meritor RS23180		B1	34000 lbs	Meritor SLHD	
9Y	46000 lbs	Eaton 38R3		B2	34000 lbs	Meritor SLHD	
A	34000 lbs	Meritor R141		B3	34000 lbs	Meritor SLHD	
A1	50000 lbs	Meritor SUDD		B3	40000 lbs	Eaton 38R3	
A2	50000 lbs	Meritor SUDD		B4	34000 lbs	Meritor SLHD	
A9	38000 lbs	Meritor QHDA		B4	40000 lbs	Eaton 38R3	
A9	38000 lbs	Meritor SQHD		B5	34000 lbs	Meritor SLHD	
AB	22000 lbs	Eaton 18201		B5	40000 lbs	Eaton 38R3	
AC	32000 lbs	Eaton 30DSC		B6	34000 lbs	Meritor SLHD	
AC	32000 lbs	Eaton 30RS		B6	40000 lbs	Eaton 38R3	
AD	32000 lbs	Eaton 30DPC		B7	34000 lbs	Meritor SLHD	
AD	32000 lbs	Eaton 30RPC		B8	34000 lbs	Meritor SLHD	
AF	34000 lbs	Eaton 34DS		B8	40000 lbs	Eaton 38R3	
AF	34000 lbs	Eaton 34DSC		B9	18000 lbs	Meritor SLHD	
AF	34000 lbs	Eaton 34RS		B9	40000 lbs	Eaton 38R3	
AF	34000 lbs	Eaton 34RSC		BA	34000 lbs	Meritor SLHD	
AG	22000 lbs	Eaton 22MF		BA	40000 lbs	Eaton 38R3	
AG	23000 lbs	Eaton 23121		BB	34000 lbs	Meritor SLHD	
AG	23000 lbs	Eaton 19121		BB	22000 lbs	Eaton 18201	
AH	34000 lbs	Meritor SLHD		BB	40000 lbs	Eaton 38R3	
AH	34000 lbs	Meritor LHDA		BC	34000 lbs	Meritor SLHD	
AH	18500 lbs	Eaton 17201		BC	32000 lbs	Eaton 30DS	
AI	38000 lbs	Eaton 38DS		BC	32000 lbs	Eaton 30DSC	
AI	38000 lbs	Eaton 38DSC		BC	32000 lbs	Eaton 30RS	
AI	38000 lbs	Eaton 38DSE		BC	32000 lbs	Eaton 30RSC	
AI	38000 lbs	Eaton 38RS		BC	40000 lbs	Eaton 38R3	
AI	38000 lbs	Eaton 38RSC		BD	32000 lbs	Eaton 30DPC	
AI	38000 lbs	Eaton 38RSE		BD	32000 lbs	Eaton 30RPC	
AJ	22000 lbs	Eaton 18301		BD	40000 lbs	Eaton 38R3	
AJ	38000 lbs	Eaton 38DS		BE	40000 lbs	Eaton 38R3	
AJ	38000 lbs	Eaton 38DSC		BF	34000 lbs	Eaton 34DS	
AJ	38000 lbs	Eaton 38RS		BF	34000 lbs	Eaton 34DSC	
AJ	38000 lbs	Eaton 38RSC		BF	34000 lbs	Eaton 34RS	
AK	22000 lbs	Eaton 18101		BF	34000 lbs	Eaton 34RSC	
AL	32000 lbs	Eaton 30DTC		BG	22000 lbs	Eaton 1861	
AL	32000 lbs	Eaton 30RTC		BG	23000 lbs	Eaton 23121	
AM	34000 lbs	Eaton 34DPE		BG	23000 lbs	Eaton 19121	
AM	34000 lbs	Eaton 34RPE		BH	34000 lbs	Meritor SLHD	
AN	34000 lbs	Eaton 34DP		BH	34000 lbs	Meritor LHDA	
AP	22000 lbs	Eaton 22MRE		BH	18500 lbs	Eaton 17202	
AP	23000 lbs	Eaton 23221		BI	38000 lbs	Eaton 38DS	
AP	23000 lbs	Eaton 19221		BI	38000 lbs	Eaton 38DSC	
AQ	34000 lbs	Meritor SLHD		BI	38000 lbs	Eaton 38RS	
AQ	18500 lbs	Eaton 17101					

For in-text symbols, see page 5A.

Ford - See Axle Mfr. (continued)

Model	Capacity	See	Line No.	Model	Capacity	See	Line No.
BI	38000 lbs	Eaton 38RSC		CJ	38000 lbs	Eaton 38DSC	
BJ	22000 lbs	Eaton 18301		CJ	38000 lbs	Eaton 38RS	
BJ	38000 lbs	Eaton 38DS		CK	22000 lbs	Eaton 18101	
BJ	38000 lbs	Eaton 38DSC		CK	22000 lbs	Eaton 18121	
BJ	38000 lbs	Eaton 38RS		CL	32000 lbs	Eaton 16120	
BK	22000 lbs	Eaton 18101		CL	30000 lbs	Eaton 30DTC	
BK	22000 lbs	Eaton 18121		CL	30000 lbs	Eaton 30RTC	
BL	32000 lbs	Eaton 30RTC		CN	34000 lbs	Eaton 34DPC	
BL	34000 lbs	Eaton 30DTC		CN	34000 lbs	Eaton 34RPC	
BN	34000 lbs	Eaton 34DPC		CP	23000 lbs	Eaton 23221	
BN	34000 lbs	Eaton 34RPC		CP	23000 lbs	Eaton 19221	
BP	23000 lbs	Eaton 19221		CQ	34000 lbs	Meritor SLHD	
BQ	34000 lbs	Meritor SLHD		CQ	18500 lbs	Eaton 17101	
BQ	18500 lbs	Eaton 17101		CR	38000 lbs	Meritor SQHD	
BR	38000 lbs	Meritor SQHD		CR	38000 lbs	Eaton 38DP	
BR	38000 lbs	Eaton 38DP		CR	38000 lbs	Eaton 38DPC	
BR	38000 lbs	Eaton 38DPC		CR	38000 lbs	Eaton 38RP	
BR	38000 lbs	Eaton 38RP		CR	38000 lbs	Eaton 38RPC	
BR	38000 lbs	Eaton 38RPC		CS	32000 lbs	Eaton 30DTC3	
BS	19000 lbs	Eaton 17101		CS	32000 lbs	Eaton 30RTC3	
BT	32000 lbs	Eaton 30DTC		CT	34000 lbs	Eaton 30DTC	
BT	34000 lbs	Eaton 34DT3		CV	44000 lbs	Eaton 38R3	
BT	34000 lbs	Eaton 34DTC		CV	42000 lbs	Eaton 42DP	
BT	34000 lbs	Eaton 34RT3		CV	42000 lbs	Eaton 42RP	
BU	34000 lbs	Eaton DT341		CW	34000 lbs	Eaton 34DTC	
BV	34000 lbs	Meritor RS17140		CW	34000 lbs	Eaton 34RTC	
BV	42000 lbs	Eaton 42DP		CX	40000 lbs	Eaton 38R3	
BV	44000 lbs	Eaton 42DPC		CZ	38000 lbs	Eaton 38DTC3	
BV	42000 lbs	Eaton 42RP		CZ	38000 lbs	Eaton 38RTC3	
BW	34000 lbs	Eaton 34DTC		D	34000 lbs	Meritor R141	
BW	34000 lbs	Eaton 34DTE		D0	38000 lbs	Meritor SQHD	
BW	34000 lbs	Eaton 34RTC		D1	38000 lbs	Meritor SLHD	
BX	23000 lbs	Eaton 19301		D1	38000 lbs	Meritor SQHD	
BZ	38000 lbs	Eaton 38DTC3		D2	38000 lbs	Meritor SLHD	
BZ	38000 lbs	Eaton 38DT3		D2	38000 lbs	Meritor SQHD	
BZ	38000 lbs	Eaton 38RTC3		D3	38000 lbs	Meritor SLHD	
BZ	38000 lbs	Eaton 38RT3		D3	38000 lbs	Meritor SQHD	
C	34000 lbs	Meritor R141		D3	40000 lbs	Eaton 38R3	
C4	23000 lbs	Meritor RS23180		D4	38000 lbs	Meritor SLHD	
C5	23000 lbs	Meritor RS23180		D4	38000 lbs	Meritor SQHD	
C6	23000 lbs	Meritor RS23180		D5	38000 lbs	Meritor SLHD	
C6	38000 lbs	Meritor SQHD		D5	38000 lbs	Meritor SQHD	
C7	23000 lbs	Meritor RS23180		D5	40000 lbs	Eaton 38R3	
C8	23000 lbs	Meritor RS23180		D6	38000 lbs	Meritor SLHD	
C9	38000 lbs	Meritor QHDA		D6	38000 lbs	Meritor SQHD	
C9	38000 lbs	Meritor SQHD		D7	38000 lbs	Meritor SLHD	
CB	22000 lbs	Eaton 18202		D7	38000 lbs	Meritor SQHD	
CB	22000 lbs	Eaton 18221		D8	18500 lbs	Meritor RS17140	
CB	23000 lbs	Eaton 38R3		D8	38000 lbs	Meritor SLHD	
CC	32000 lbs	Eaton 30DS		D8	38000 lbs	Meritor SQHD	
CC	32000 lbs	Eaton 30DSC		D9	38000 lbs	Meritor QHDA	
CC	32000 lbs	Eaton 30RS		D9	38000 lbs	Meritor SQHD	
CC	32000 lbs	Eaton 30RSC		DA	38000 lbs	Meritor SLHD	
CD	32000 lbs	Eaton 30DPC		DA	38000 lbs	Meritor SQHD	
CD	32000 lbs	Eaton 30RPC		DB	22000 lbs	Eaton 18201	
CF	34000 lbs	Eaton 34DS		DB	22000 lbs	Eaton 18221	
CF	34000 lbs	Eaton 34DSC		DB	38000 lbs	Meritor SQHD	
CF	34000 lbs	Eaton 34RS		DC	32000 lbs	Eaton 30DS	
CF	34000 lbs	Eaton 34RSC		DC	32000 lbs	Eaton 30DSC	
CG	22000 lbs	Eaton 1862		DC	32000 lbs	Eaton 30RS	
CG	23000 lbs	Eaton 23121		DC	32000 lbs	Eaton 30RSC	
CG	23000 lbs	Eaton 19121		DD	32000 lbs	Eaton 30DPC	
CH	34000 lbs	Meritor SLHD		DD	32000 lbs	Eaton 30RPC	
CH	34000 lbs	Meritor LHDA		DF	34000 lbs	Eaton 34DS	
CH	18500 lbs	Eaton 17201		DF	34000 lbs	Eaton 34DSC	
CH	18500 lbs	Eaton 17221		DF	34000 lbs	Eaton 34RS	
CI	38000 lbs	Eaton 38DS		DF	34000 lbs	Eaton 34RSC	
CI	38000 lbs	Eaton 38DSC		DG	23000 lbs	Eaton 23121	
CI	38000 lbs	Eaton 38RS		DG	23000 lbs	Eaton 19121	
CI	38000 lbs	Eaton 38RSC		DH	34000 lbs	Meritor SLHD	
CJ	22000 lbs	Eaton 18301		DH	34000 lbs	Meritor LHDA	
CJ	38000 lbs	Eaton 38DS		DH	18500 lbs	Eaton 17201	

**A
P
P
L
I
C
A
T
I
O
N
S**

**TRAILER, TAG &
PUSHER AXLES**

**FRONT
AXLES**

**DRIVE
AXLES**

**MEDIUM
TRUCK**

For in-text symbols, see page 5A.

Ford - See Axle Mfr. (continued)

Model	Capacity	See	Line No.	Model	Capacity	See	Line No.
DH	18500 lbs	Eaton 17221		EJ	38000 lbs	Eaton 38DSE	
DI	38000 lbs	Eaton 38DS		EJ	38000 lbs	Eaton 38RS	
DI	38000 lbs	Eaton 38DSC		EJ	38000 lbs	Eaton 38RSE	
DI	38000 lbs	Eaton 38RS		EK	22000 lbs	Eaton 18101	
DI	38000 lbs	Eaton 38RSC		EK	22000 lbs	Eaton 18121	
DJ	38000 lbs	Eaton 38DS		EL	32000 lbs	Eaton 30DTA	
DJ	38000 lbs	Eaton 38DSC		EL	32000 lbs	Eaton 30DTC	
DJ	38000 lbs	Eaton 38DSE		EL	32000 lbs	Eaton 30RTA	
DJ	38000 lbs	Eaton 38RS		EL	32000 lbs	Eaton 30RTC	
DJ	38000 lbs	Eaton 38RSE		EN	34000 lbs	Eaton 34DPC	
DK	22000 lbs	Eaton 18101		EN	34000 lbs	Eaton 34RPC	
DK	22000 lbs	Eaton 18121		EP	23000 lbs	Eaton 23221	
DL	32000 lbs	Eaton 30DTA		EP	32000 lbs	Eaton 19221	
DL	32000 lbs	Eaton 30DTC		EQ	19000 lbs	Meritor RS17140	
DL	32000 lbs	Eaton 30RTA		EQ	35000 lbs	Meritor SLHD	
DL	32000 lbs	Eaton 30RTC		EQ	18500 lbs	Eaton 17121	
DN	34000 lbs	Eaton 34DPC		ER	38000 lbs	Meritor SQHD	
DN	34000 lbs	Eaton 34RPC		ER	38000 lbs	Eaton 38DP	
DP	23000 lbs	Eaton 23221		ER	38000 lbs	Eaton 38DPC	
DP	23000 lbs	Eaton 19221		ER	38000 lbs	Eaton 38RP	
DP	22000 lbs	Eaton 38R3		ER	38000 lbs	Eaton 38RPC	
DQ	34000 lbs	Meritor SLHD		ES	32000 lbs	Eaton 30DTC3	
DQ	18500 lbs	Eaton 17101		ES	32000 lbs	Eaton 30RTC3	
DR	38000 lbs	Meritor SQHD		ES	19000 lbs	Eaton 17101	
DR	38000 lbs	Eaton 38DP		EU	34000 lbs	Eaton DT341	
DR	38000 lbs	Eaton 38DPC		EW	34000 lbs	Eaton 34DTC	
DR	38000 lbs	Eaton 38RP		EW	34000 lbs	Eaton 34RTC	
DR	38000 lbs	Eaton 38RPC		EX	40000 lbs	Eaton 38R3	
DS	32000 lbs	Eaton 30DTC3		EZ	38000 lbs	Eaton 38DTC3	
DS	32000 lbs	Eaton 30RTC3		EZ	38000 lbs	Eaton 38RTC3	
DS	19000 lbs	Eaton 17101		F	34000 lbs	Meritor R141	
DU	34000 lbs	Eaton DT341		F1	15000 lbs	Eaton 13802	
DV	44000 lbs	Eaton DP440P		F1	15000 lbs	Eaton 15201	
DV	34000 lbs	Meritor RS17140		F2	15000 lbs	Eaton 13802	
DV	42000 lbs	Eaton 42DP		F2	15000 lbs	Eaton 15201	
DV	42000 lbs	Eaton 42RP		F3	15000 lbs	Eaton 15201	
DW	34000 lbs	Eaton 34DTC		F4	13000 lbs	Meritor RS13120	
DW	34000 lbs	Eaton 34RTC		F4	15000 lbs	Meritor DH	
DX	40000 lbs	Eaton 38R3		F5	13000 lbs	Meritor RS13120	
DZ	38000 lbs	Eaton 38DTC3		F5	15000 lbs	Meritor DH	
DZ	38000 lbs	Eaton 38RTC3		F6	13000 lbs	Meritor RS13120	
E	34000 lbs	Meritor R141		F6	15000 lbs	Meritor DH	
E0	17500 lbs	Eaton 16244		F6	38000 lbs	Meritor SQHD	
E1	17500 lbs	Eaton 16244		F7	13000 lbs	Meritor RS13120	
E2	17500 lbs	Eaton 16244		F7	15000 lbs	Eaton 13802	
E3	17500 lbs	Eaton 16244		F8	15000 lbs	Eaton 13802	
E4	17500 lbs	Eaton 16244		F9	38000 lbs	Meritor QHDA	
E5	17500 lbs	Eaton 16244		F9	38000 lbs	Meritor SQHD	
E9	17500 lbs	Eaton 16244		FB	22000 lbs	Eaton 18221	
E9	38000 lbs	Meritor QHDA		FC	13000 lbs	Meritor RS13120	
E9	38000 lbs	Meritor SQHD		FC	32000 lbs	Eaton 30DS	
EB	22000 lbs	Eaton 18221		FC	32000 lbs	Eaton 30DSC	
EC	32000 lbs	Eaton 30DS		FC	32000 lbs	Eaton 30RS	
EC	32000 lbs	Eaton 30DSC		FC	32000 lbs	Eaton 30RSC	
EC	32000 lbs	Eaton 30RS		FF	34000 lbs	Eaton 34DS	
EC	32000 lbs	Eaton 30RSC		FF	34000 lbs	Eaton 34DSC	
EF	34000 lbs	Eaton 34DS		FF	34000 lbs	Eaton 34RS	
EF	34000 lbs	Eaton 34DSC		FF	34000 lbs	Eaton 34RSC	
EF	34000 lbs	Eaton 34RS		FG	18500 lbs	Meritor RS17140	
EF	34000 lbs	Eaton 34RSC		FG	23000 lbs	Eaton 23121	
EG	23000 lbs	Eaton 23121		FG	23000 lbs	Eaton 19121	
EG	23000 lbs	Eaton 19121		FH	19000 lbs	Meritor RS17140	
EH	19000 lbs	Meritor RS17140		FH	34000 lbs	Meritor SLHD	
EH	34000 lbs	Meritor LHDA		FH	34000 lbs	Meritor LHDA	
EH	34000 lbs	Meritor SLHD		FH	18500 lbs	Eaton 17221	
EH	18500 lbs	Eaton 17201		FI	38000 lbs	Eaton 38DS	
EH	18500 lbs	Eaton 17221		FI	38000 lbs	Eaton 38DSC	
EI	38000 lbs	Eaton 38DS		FI	38000 lbs	Eaton 38RS	
EI	38000 lbs	Eaton 38DSC		FI	38000 lbs	Eaton 38RSC	
EI	38000 lbs	Eaton 38RS		FJ	38000 lbs	Eaton 38DS	
EI	38000 lbs	Eaton 38RSC		FJ	38000 lbs	Eaton 38DSC	
EJ	38000 lbs	Eaton 38DS		FJ	38000 lbs	Eaton 38RS	

For in-text symbols, see page 5A.

Ford - See Axle Mfr. (continued)

Model	Capacity	See	Line No.	Model	Capacity	See	Line No.
FJ	38000 lbs	Eaton 38RSC		GN	34000 lbs	Eaton 34RPE	
FK	21000 lbs	Eaton 21221		GP	23000 lbs	Eaton 23221	
FK	22000 lbs	Eaton 22121		GP	23000 lbs	Eaton 19221	
FK	22000 lbs	Eaton 18101		GQ	18500 lbs	Eaton 17121	
FL	32000 lbs	Eaton 16120		GR	38000 lbs	Meritor SQHD	
FL	30000 lbs	Eaton 30DTA		GR	38000 lbs	Eaton 38DP	
FL	30000 lbs	Eaton 30DTC		GR	38000 lbs	Eaton 38DPC	
FL	30000 lbs	Eaton 30RTA		GR	38000 lbs	Eaton 38DPE	
FL	30000 lbs	Eaton 30RTC		GR	38000 lbs	Eaton 38RP	
FM	15000 lbs	Eaton 15201		GR	38000 lbs	Eaton 38RPC	
FN	34000 lbs	Eaton 34DPC		GS	32000 lbs	Eaton 30DTC3	
FN	34000 lbs	Eaton 34RPC		GS	32000 lbs	Eaton 30RTC3	
FP	15000 lbs	Eaton 15201		GU	34000 lbs	Eaton DT341	
FP	23000 lbs	Eaton 19221		GW	34000 lbs	Eaton 34DT	
FQ	19000 lbs	Meritor RS17140		GW	34000 lbs	Eaton 34DTE	
FQ	34000 lbs	Meritor SLHD		GW	34000 lbs	Eaton 34RT	
FQ	18500 lbs	Eaton 17121		GW	34000 lbs	Eaton 34RTE	
FR	34000 lbs	Meritor SQHD		GZ	38000 lbs	Eaton 38DTC3	
FR	38000 lbs	Eaton 38DP		GZ	38000 lbs	Eaton 38RTC3	
FR	38000 lbs	Eaton 38DPC		H1	22000 lbs	Spicer M220T	
FR	38000 lbs	Eaton 38RP		H1	18500 lbs	Eaton 17800	
FR	38000 lbs	Eaton 38RPC		H1	18500 lbs	Eaton 17801	
FS	32000 lbs	Eaton 30DTC3		H1	23000 lbs	Meritor R171	
FS	32000 lbs	Eaton 30RTC3		H2	22000 lbs	Spicer M220T	
FS	19000 lbs	Eaton 17101		H2	18500 lbs	Eaton 17800	
FU	34000 lbs	Eaton DT341		H2	18500 lbs	Eaton 17801	
FW	34000 lbs	Eaton 34DT		H2	23000 lbs	Meritor R171	
FW	34000 lbs	Eaton 34DTE		H3	22000 lbs	Spicer M220T	
FW	34000 lbs	Eaton 34RT		H3	18500 lbs	Eaton 17800	
FW	34000 lbs	Eaton 34RTE		H3	18500 lbs	Eaton 17801	
FX	40000 lbs	Eaton 38R3		H3	23000 lbs	Meritor R171	
FZ	38000 lbs	Eaton 38DTC3		H4	18500 lbs	Eaton 17800	
FZ	38000 lbs	Eaton 38RTC3		H4	18500 lbs	Eaton 17801	
G	34000 lbs	Meritor R141		H4	23000 lbs	Meritor R171	
G2	17000 lbs	Eaton 16802		H5	18000 lbs	Meritor RS17140	
G3	17000 lbs	Eaton 16802		H5	23000 lbs	Meritor R171	
G4	15000 lbs	Meritor RS15210		H6	18500 lbs	Eaton 17800	
G4	17000 lbs	Eaton 16802		H6	18500 lbs	Eaton 17801	
G5	15000 lbs	Meritor RS15210		H6	23000 lbs	Meritor R171	
G6	15000 lbs	Meritor RS15210		H7	18500 lbs	Eaton 17800	
G7	15000 lbs	Meritor RS15210		H7	18500 lbs	Eaton 17801	
G9	15000 lbs	Meritor RS15210		H7	23000 lbs	Meritor R171	
G9	38000 lbs	Meritor QHDA		H8	18500 lbs	Eaton 17800	
G9	38000 lbs	Meritor SQHD		H8	18500 lbs	Eaton 17801	
GB	22000 lbs	Eaton 18201		H8	23000 lbs	Meritor R171	
GB	22000 lbs	Eaton 18221		H9	23000 lbs	Meritor R171	
GC	15000 lbs	Meritor RS15210		HB	22000 lbs	Eaton 22221	
GC	32000 lbs	Eaton 30DS		HB	22000 lbs	Eaton 18201	
GC	32000 lbs	Eaton 30DSC		HB	22000 lbs	Eaton 18221	
GC	32000 lbs	Eaton 30RS		HC	34000 lbs	Eaton DS340	
GC	32000 lbs	Eaton 30RSC		HC	34000 lbs	Eaton DS341	
GF	34000 lbs	Eaton 34DS		HC	22000 lbs	Eaton 16120	
GF	34000 lbs	Eaton 34DSE		HC	32000 lbs	Eaton 30DS	
GF	34000 lbs	Eaton 34RSC		HC	32000 lbs	Eaton 30DSC	
GF	34000 lbs	Eaton 34RSE		HC	32000 lbs	Eaton 30RS	
GG	23000 lbs	Eaton 23121		HC	32000 lbs	Eaton 30RSC	
GG	23000 lbs	Eaton 19121		HF	34000 lbs	Eaton 34DS	
GH	18500 lbs	Eaton 17221		HF	34000 lbs	Eaton 34DSE	
GI	38000 lbs	Eaton 38DS		HF	34000 lbs	Eaton 34RS	
GI	38000 lbs	Eaton 38DSC		HF	34000 lbs	Eaton 34RSE	
GI	38000 lbs	Eaton 38RS		HG	23000 lbs	Eaton 23121	
GI	38000 lbs	Eaton 38RSC		HG	23000 lbs	Eaton 19121	
GJ	38000 lbs	Eaton 38DS		HH	19000 lbs	Meritor RS17140	
GJ	38000 lbs	Eaton 38DSC		HH	18500 lbs	Eaton 17221	
GJ	38000 lbs	Eaton 38RS		HI	38000 lbs	Eaton 38DS	
GJ	38000 lbs	Eaton 38RSC		HI	38000 lbs	Eaton 38DSC	
GK	21000 lbs	Eaton 21221		HI	38000 lbs	Eaton 38RS	
GK	22000 lbs	Eaton 22121		HI	38000 lbs	Eaton 38RSE	
GK	22000 lbs	Eaton 18121		HJ	38000 lbs	Eaton 38DS	
GN	34000 lbs	Eaton 34DP		HJ	38000 lbs	Eaton 38DSC	
GN	34000 lbs	Eaton 34DPE		HJ	38000 lbs	Eaton 38RS	
GN	34000 lbs	Eaton 34RP		HJ	38000 lbs	Eaton 38RSC	

Ford - See Axle Mfr. (continued)

Model	Capacity	See	Line No.	Model	Capacity	See	Line No.
HK	21000 lbs	Eaton 21221		K5	22000 lbs	Eaton 1880	
HK	22000 lbs	Eaton 22121		K5	22000 lbs	Eaton 1881	
HN	34000 lbs	Eaton 34DP		K5	34000 lbs	Meritor SLHD	
HP	23000 lbs	Eaton 19221		K6	34000 lbs	Meritor SLHD	
HQ	19000 lbs	Meritor RS17140		K7	34000 lbs	Meritor SLHD	
HQ	18500 lbs	Eaton 17121		K8	34000 lbs	Meritor SLHD	
HR	38000 lbs	Meritor SQHD		K9	34000 lbs	Meritor SLHD	
HT	30000 lbs	Eaton 30DTC		KA	34000 lbs	Meritor SLHD	
HT	34000 lbs	Eaton 34DT3		KA	23000 lbs	Meritor R170	
HT	34000 lbs	Eaton 34RT3		KB	22000 lbs	Eaton 22221	
HU	34000 lbs	Eaton DT341		KF	34000 lbs	Eaton 34DS	
HW	34000 lbs	Eaton 34DT		KF	34000 lbs	Eaton 34DSC	
HW	34000 lbs	Eaton 34DTE		KF	34000 lbs	Eaton 34DSE	
HW	34000 lbs	Eaton 34RT		KF	34000 lbs	Eaton 34RS	
HW	34000 lbs	Eaton 34RTE		KF	34000 lbs	Eaton 34RSC	
IF	34000 lbs	Eaton 34DS		KF	34000 lbs	Eaton 34RSE	
IF	34000 lbs	Eaton 34DSE		KH	18500 lbs	Eaton 17221	
IF	34000 lbs	Eaton 34RS		KI	38000 lbs	Eaton 38DS	
IQ	18500 lbs	Eaton 17121		KI	38000 lbs	Eaton 38RS	
IT	34000 lbs	Meritor RS17140		KJ	38000 lbs	Eaton 38DS	
IW	34000 lbs	Eaton 34DT		KJ	38000 lbs	Eaton 38DSC	
IW	34000 lbs	Eaton 34DTC		KJ	38000 lbs	Eaton 38DSE	
IW	34000 lbs	Eaton 34RT		KJ	38000 lbs	Eaton 38RS	
IW	34000 lbs	Eaton 34RTC		KJ	38000 lbs	Eaton 38RSE	
J1	22000 lbs	Eaton 8802		KK	22000 lbs	Eaton 22121	
J1	22000 lbs	Eaton 8803		KQ	34000 lbs	Meritor SLHD	
J2	22000 lbs	Eaton 8802		KQ	18500 lbs	Eaton 17121	
J2	22000 lbs	Eaton 8803		KU	34000 lbs	Eaton DT341	
J3	22000 lbs	Eaton 8802		KW	34000 lbs	Eaton 34DT	
J3	22000 lbs	Eaton 8803		KW	34000 lbs	Eaton 34DTC	
J4	22000 lbs	Eaton 8802		KW	34000 lbs	Eaton 34RT	
J4	22000 lbs	Eaton 8803		KW	34000 lbs	Eaton 34RTC	
JA	23000 lbs	Meritor R170		L1	22000 lbs	Meritor Q246	
JB	22000 lbs	Eaton 22221		L2	22000 lbs	Meritor Q246	
JF	34000 lbs	Eaton 34DS		L3	22000 lbs	Meritor Q246	
JF	34000 lbs	Eaton 34DSC		L4	22000 lbs	Meritor Q246	
JF	34000 lbs	Eaton 34DSE		L5	22000 lbs	Meritor Q246	
JF	34000 lbs	Eaton 34RS		LA	23000 lbs	Meritor R170	
JF	34000 lbs	Eaton 34RSC		LB	22000 lbs	Eaton 22221	
JF	34000 lbs	Eaton 34RSE		LF	34000 lbs	Eaton 34DS	
JG	23000 lbs	Eaton 23121		LF	34000 lbs	Eaton 34DSC	
JH	19000 lbs	Meritor RS17140		LF	34000 lbs	Eaton 34RS	
JH	18500 lbs	Eaton 17221		LF	34000 lbs	Eaton 34RSC	
JI	38000 lbs	Eaton 38DS		LG	23000 lbs	Eaton 23121	
JI	38000 lbs	Eaton 38RS		LJ	38000 lbs	Eaton 38DS	
JJ	38000 lbs	Eaton 38DS		LJ	38000 lbs	Eaton 38DSC	
JJ	38000 lbs	Eaton 38DSC		LJ	38000 lbs	Eaton 38RSC	
JJ	38000 lbs	Eaton 38DSE		LQ	18500 lbs	Eaton 17121	
JJ	38000 lbs	Eaton 38RS		M0	38000 lbs	Meritor SQHD	
JJ	38000 lbs	Eaton 38RSE		M1	23000 lbs	Eaton 1911	
JK	21000 lbs	Eaton 21221		M1	38000 lbs	Meritor SQHD	
JK	22000 lbs	Eaton 22121		M2	23000 lbs	Eaton 1911	
JQ	19000 lbs	Meritor RS17140		M2	38000 lbs	Meritor SQHD	
JQ	18500 lbs	Eaton 17121		M3	23000 lbs	Eaton 1911	
JT	34000 lbs	Eaton 34DT3		M3	38000 lbs	Meritor SQHD	
JU	34000 lbs	Eaton DT341		M4	23000 lbs	Eaton 1911	
JW	34000 lbs	Eaton 34DT		M4	38000 lbs	Meritor SQHD	
JW	34000 lbs	Eaton 34DTC		M5	23000 lbs	Eaton 1911	
JW	34000 lbs	Eaton 34RTC		M5	38000 lbs	Meritor SQHD	
K0	34000 lbs	Meritor SLHD		M6	23000 lbs	Eaton 1911	
K1	22000 lbs	Eaton 1880		M6	38000 lbs	Meritor SQHD	
K1	22000 lbs	Eaton 1881		M7	38000 lbs	Meritor SQHD	
K1	34000 lbs	Meritor SLHD		M8	38000 lbs	Meritor SQHD	
K2	22000 lbs	Eaton 1880		M9	38000 lbs	Meritor SQHD	
K2	22000 lbs	Eaton 1881		MA	23000 lbs	Eaton 1911	
K2	34000 lbs	Meritor SLHD		MA	23000 lbs	Meritor R170	
K3	22000 lbs	Eaton 1880		MA	38000 lbs	Meritor SQHD	
K3	22000 lbs	Eaton 1881		MB	22000 lbs	Eaton 22221	
K3	34000 lbs	Meritor SLHD		MB	23000 lbs	Eaton 1911	
K4	22000 lbs	Eaton 1880		MC	23000 lbs	Eaton 9503	
K4	22000 lbs	Eaton 1881		MC	23000 lbs	Eaton 1911	
K4	34000 lbs	Meritor SLHD		MD	23000 lbs	Eaton 9503	

For in-text symbols, see page 5A.

Ford - See Axle Mfr. (continued)

Model	Capacity	See	Line No.	Model	Capacity	See	Line No.
MD	23000 lbs	Eaton 1911		P3	19000 lbs	Spicer M190T	
ME	23000 lbs	Eaton 1911		P3	23000 lbs	Meritor RT241	
MF	23000 lbs	Eaton 1911		P4	18500 lbs	Spicer M185T	
MF	34000 lbs	Eaton 34DS		P4	19000 lbs	Spicer M190T	
MF	34000 lbs	Eaton 34DSE		P4	23000 lbs	Meritor RT241	
MF	34000 lbs	Eaton 34RS		P5	23000 lbs	Meritor RT241	
MF	34000 lbs	Eaton 34RSE		P9	18500 lbs	Spicer M185T	
MG	23000 lbs	Eaton 23121		P9	19000 lbs	Spicer M190T	
MQ	18500 lbs	Eaton 17121		P9	23000 lbs	Meritor RT241	
N1	17500 lbs	Spicer G175T		PA	23000 lbs	Meritor RT241	
N1	34000 lbs	Meritor SLDD		PB	22000 lbs	Eaton 22221	
N1	23000 lbs	Eaton 1919		PB	23000 lbs	Meritor RT241	
N1	23000 lbs	Meritor R171		PC	23000 lbs	Meritor RT241	
N2	17500 lbs	Spicer G175T		PD	23000 lbs	Meritor RT241	
N2	34000 lbs	Meritor SLDD		PE	23000 lbs	Meritor RT241	
N2	23000 lbs	Eaton 1919		PK	22000 lbs	Eaton 22121	
N2	23000 lbs	Meritor R171		PX	44000 lbs	Eaton DS440P	
N3	17500 lbs	Spicer G175T		PX	44000 lbs	Eaton 38R3	
N3	34000 lbs	Meritor SLDD		Q1	18500 lbs	Meritor L346	
N3	23000 lbs	Eaton 9503		Q1	23000 lbs	Meritor R202	
N3	23000 lbs	Meritor R171		Q2	18500 lbs	Meritor L346	
N4	17500 lbs	Spicer G175T		Q2	23000 lbs	Meritor R202	
N4	34000 lbs	Meritor SLDD		Q3	18500 lbs	Meritor L346	
N4	23000 lbs	Eaton 9503		Q3	23000 lbs	Meritor R202	
N4	23000 lbs	Meritor R171		Q4	18500 lbs	Meritor L346	
N5	34000 lbs	Meritor SLDD		Q5	18500 lbs	Meritor L346	
N5	23000 lbs	Eaton 1919		Q5	23000 lbs	Meritor R202	
N5	23000 lbs	Meritor R171		Q6	18500 lbs	Meritor L346	
N6	34000 lbs	Meritor SLDD		Q6	23000 lbs	Meritor R202	
N6	23000 lbs	Eaton 1919		Q7	23000 lbs	Meritor R202	
N6	23000 lbs	Meritor R171		QA	23000 lbs	Meritor R202	
N7	34000 lbs	Meritor SLDD		QB	23000 lbs	Meritor R202	
N7	23000 lbs	Eaton 1919		QC	23000 lbs	Meritor R202	
N7	23000 lbs	Meritor R171		QD	23000 lbs	Meritor R202	
N8	34000 lbs	Meritor SLDD		QE	23000 lbs	Meritor R202	
N8	23000 lbs	Eaton 1919		QF	23000 lbs	Meritor R202	
N9	17500 lbs	Spicer G175T		QG	23000 lbs	Meritor R202	
NA	23000 lbs	Eaton 1919		QP	23000 lbs	Eaton 23221	
NB	22000 lbs	Eaton 22221		QX	44000 lbs	Eaton DS440P	
NB	23000 lbs	Eaton 1919		QX	46000 lbs	Eaton 38R3	
NC	34000 lbs	Eaton DS340		R1	29000 lbs	Meritor U200	
NC	34000 lbs	Eaton DS341		R2	29000 lbs	Meritor U200	
NC	23000 lbs	Eaton 9503		R3	29000 lbs	Meritor U200	
ND	23000 lbs	Eaton 9503		R3	34000 lbs	Meritor RT34145	
NE	23000 lbs	Eaton 1919		R4	29000 lbs	Meritor U200	
NF	23000 lbs	Eaton 1919		R6	34000 lbs	Meritor RT34145	
NG	23000 lbs	Eaton 1919		R7	34000 lbs	Meritor RT34145	
NH	23000 lbs	Eaton 1919		RC	34000 lbs	Eaton DS340	
NX	44000 lbs	Eaton DS440		RC	34000 lbs	Eaton DS341	
NX	44000 lbs	Eaton DS440P		RD	17500 lbs	Eaton 16244	
NX	46000 lbs	Eaton 38R3		RE	34000 lbs	Meritor RT34145	
O1	23000 lbs	Meritor R141		RF	34000 lbs	Meritor RT34145	
O1	23000 lbs	Meritor R202		RG	34000 lbs	Meritor RT34145	
O2	23000 lbs	Meritor R141		RH	34000 lbs	Meritor RT34145	
O2	23000 lbs	Meritor R202		RJ	34000 lbs	Meritor RT34145	
O3	23000 lbs	Meritor R141		RK	22000 lbs	Eaton 22121	
O3	23000 lbs	Meritor R202		RM	34000 lbs	Meritor RT34145	
O4	23000 lbs	Meritor R141		RP	23000 lbs	Eaton 23221	
O4	23000 lbs	Meritor R202		RS	34000 lbs	Meritor RT34145	
O5	23000 lbs	Meritor R141		RV	34000 lbs	Meritor RT34145	
O5	23000 lbs	Meritor R202		RW	34000 lbs	Meritor RT34145	
O6	23000 lbs	Meritor R141		RX	44000 lbs	Eaton DS440P	
O7	23000 lbs	Meritor R141		RX	46000 lbs	Eaton 38R3	
OB	22000 lbs	Eaton 22221		RY	34000 lbs	Meritor RT34145	
OX	46000 lbs	Eaton 38R3		S1	22000 lbs	Eaton 18802	
P1	18500 lbs	Spicer M185T		S1	22000 lbs	Eaton 18803	
P1	19000 lbs	Spicer M190T		S2	22000 lbs	Eaton 18802	
P1	23000 lbs	Meritor RT241		S2	22000 lbs	Eaton 18803	
P2	18500 lbs	Spicer M185T		S3	22000 lbs	Eaton 18802	
P2	19000 lbs	Spicer M190T		S3	22000 lbs	Eaton 18803	
P2	23000 lbs	Meritor RT241		S4	22000 lbs	Eaton 18802	
P3	18500 lbs	Spicer M185T					

Ford - See Axle Mfr. (continued)

Model	Capacity	See	Line No.	Model	Capacity	See	Line No.
S4	22000 lbs	Eaton 18803		UL	38000 lbs	Eaton DS380	
S5	22000 lbs	Eaton 18802		UL	38000 lbs	Eaton DS381	
S5	22000 lbs	Eaton 18803		UX	44000 lbs	Eaton DS440P	
S6	22000 lbs	Eaton 18802		UY	46000 lbs	Eaton 38R3	
S6	22000 lbs	Eaton 18803		V1	23000 lbs	Meritor RS23160	
S7	22000 lbs	Eaton 18802		V1	38000 lbs	Meritor SQHD	
S7	22000 lbs	Eaton 18803		V1	38000 lbs	Meritor SQHP	
SA	23000 lbs	Meritor R170		V1	44000 lbs	Meritor SRDD	
SB	22000 lbs	Eaton 22221		V1	40000 lbs	Eaton 38R3	
SC	34000 lbs	Eaton DS340		V2	23000 lbs	Eaton 19801	
SC	34000 lbs	Eaton DS341		V2	23000 lbs	Meritor RS23160	
SK	22000 lbs	Eaton 22121		V2	44000 lbs	Meritor SRDD	
SL	38000 lbs	Eaton DS380		V3	23000 lbs	Eaton 19801	
SL	38000 lbs	Eaton DS381		V3	38000 lbs	Meritor SQHP	
T1	22000 lbs	Meritor Q346		V3	40000 lbs	Eaton 38R3	
T2	22000 lbs	Meritor Q346		V4	23000 lbs	Eaton 19801	
T3	22000 lbs	Meritor Q346		V4	23000 lbs	Meritor RS23160	
T4	22000 lbs	Meritor Q346		V5	23000 lbs	Eaton 19801	
T5	22000 lbs	Meritor Q346		V5	23000 lbs	Meritor RS23160	
T7	15000 lbs	Meritor RS15210		V6	23000 lbs	Eaton 19801	
TA	38000 lbs	Meritor SQHP		V6	23000 lbs	Meritor RS23160	
TA	40000 lbs	Eaton 38R3		V7	23000 lbs	Meritor RS23160	
TB	38000 lbs	Meritor SQHP		V7	38000 lbs	Meritor SQHD	
TB	40000 lbs	Eaton 38R3		V7	38000 lbs	Meritor SQHP	
TC	15000 lbs	Meritor RS15210		V8	23000 lbs	Meritor RS23160	
TC	38000 lbs	Meritor SQHP		V9	23000 lbs	Meritor RS23160	
TC	40000 lbs	Eaton 38R3		VA	23000 lbs	Meritor R170	
TD	15000 lbs	Meritor RS15210		VB	23000 lbs	Eaton 19801	
TD	38000 lbs	Meritor SQHP		VB	23000 lbs	Meritor RS23160	
TD	40000 lbs	Eaton 38R3		VC	23000 lbs	Eaton 19801	
TE	15000 lbs	Meritor RS15210		VC	23000 lbs	Meritor RS23160	
TE	38000 lbs	Meritor SQHP		VD	23000 lbs	Eaton 19801	
TE	40000 lbs	Eaton 38R3		VD	23000 lbs	Meritor RS23160	
TF	15000 lbs	Meritor RS15210		VE	23000 lbs	Eaton 19801	
TF	38000 lbs	Meritor SQHP		VE	23000 lbs	Meritor RS23160	
TF	40000 lbs	Eaton 38R3		VE	40000 lbs	Eaton 38R3	
TG	15000 lbs	Meritor RS15210		VF	23000 lbs	Eaton 19801	
TG	38000 lbs	Meritor SQHP		VF	23000 lbs	Meritor RS23160	
TG	40000 lbs	Eaton 38R3		VF	40000 lbs	Eaton 38R3	
TH	38000 lbs	Meritor SQHP		VH	19000 lbs	Eaton 17201	
TH	40000 lbs	Eaton 38R3		VJ	19000 lbs	Eaton 17201	
TJ	15000 lbs	Meritor RS15210		VL	19000 lbs	Eaton 17201	
TJ	38000 lbs	Meritor SQHP		VM	19000 lbs	Eaton 17201	
TJ	40000 lbs	Eaton 38R3		VN	19000 lbs	Eaton 17201	
TK	38000 lbs	Meritor SQHP		W1	17500 lbs	Meritor RS17220	
TK	40000 lbs	Eaton 38R3		W1	30000 lbs	Meritor SHHD	
TL	38000 lbs	Eaton DS380		W1	34000 lbs	Eaton 34DTA	
TL	38000 lbs	Eaton DS381		W2	30000 lbs	Meritor SHHD	
TQ	40000 lbs	Eaton 38R3		W2	34000 lbs	Eaton 34DTA	
TR	40000 lbs	Eaton 38R3		W2	38000 lbs	Eaton 38R3	
TV	38000 lbs	Eaton DP381		W3	17500 lbs	Meritor RS17220	
U2	17500 lbs	Meritor H173		W3	30000 lbs	Meritor SHHD	
U2	23000 lbs	Eaton 19503		W3	38000 lbs	Meritor SQ100	
U3	17500 lbs	Meritor H173		W3	44000 lbs	Meritor SSHD	
U3	23000 lbs	Eaton 19503		W3	34000 lbs	Eaton 34DTA	
U4	23000 lbs	Eaton 19503		W4	30000 lbs	Meritor SHHD	
U5	17500 lbs	Meritor H173		W4	38000 lbs	Meritor SQ100	
U5	23000 lbs	Eaton 19503		W4	44000 lbs	Meritor SSHD	
U6	17500 lbs	Meritor H173		W4	34000 lbs	Eaton 34DTA	
U6	23000 lbs	Eaton 19503		W5	17500 lbs	Meritor RS17220	
U7	17500 lbs	Meritor H173		W5	30000 lbs	Meritor SHHD	
U8	17500 lbs	Meritor H173		W5	38000 lbs	Meritor SQ100	
UB	23000 lbs	Eaton 19503		W5	44000 lbs	Meritor SSHD	
UC	23000 lbs	Eaton 19503		W5	34000 lbs	Eaton 34DTA	
UD	17500 lbs	Meritor H173		W6	17500 lbs	Meritor RS17220	
UD	23000 lbs	Eaton 19503		W6	38000 lbs	Meritor SQ100	
UE	17500 lbs	Meritor H173		W6	34000 lbs	Eaton 34DTA	
UE	23000 lbs	Eaton 19503		W7	17500 lbs	Meritor RS17220	
UF	17500 lbs	Meritor H173		W7	38000 lbs	Meritor SQ100	
UF	23000 lbs	Eaton 19503		W7	34000 lbs	Eaton 34DTA	
UH	17500 lbs	Meritor H173		W7	34000 lbs	Eaton 34RTA	
UJ	17500 lbs	Meritor H173		W8	17500 lbs	Meritor RS17220	

For in-text symbols, see page 5A.

Ford - See Axle Mfr. (continued)

Model	Capacity	See	Line No.	Model	Capacity	See	Line No.
W8	38000 lbs	Meritor SQ100		Y3	23000 lbs	Meritor R302	
W8	34000 lbs	Eaton 34DTA		Y4	23000 lbs	Meritor R302	
W9	17500 lbs	Meritor RS17220		Y5	23000 lbs	Meritor R302	
W9	38000 lbs	Meritor SQ100		YA	23000 lbs	Meritor R302	
WA	17500 lbs	Meritor RS17220		YB	23000 lbs	Meritor R302	
WA	38000 lbs	Meritor SQ100		YB	40000 lbs	Eaton 38R3	
WB	17500 lbs	Meritor RS17220		YC	23000 lbs	Meritor R302	
WB	38000 lbs	Meritor SQ100		YD	23000 lbs	Meritor R302	
WC	17500 lbs	Meritor RS17220		YE	23000 lbs	Meritor R362	
WC	38000 lbs	Meritor SQ100		YM	40000 lbs	Eaton 38R3	
WD	38000 lbs	Eaton 38R3		YN	19000 lbs	Eaton 17201	
WF	38000 lbs	Meritor SQ100		YN	40000 lbs	Eaton 38R3	
WG	38000 lbs	Meritor SQ100		YQ	40000 lbs	Eaton 38R3	
WH	38000 lbs	Meritor SQ100		YR	40000 lbs	Eaton 38R3	
WK	34000 lbs	Meritor SL100		YS	40000 lbs	Eaton 38R3	
WL	34000 lbs	Meritor SL100		YT	40000 lbs	Eaton 38R3	
WM	17500 lbs	Meritor RS17220		YU	40000 lbs	Eaton 38R3	
WM	34000 lbs	Meritor SL100		YV	40000 lbs	Eaton 38R3	
WN	34000 lbs	Meritor SL100		YW	40000 lbs	Eaton 38R3	
WQ	34000 lbs	Meritor SL100		Z1	29000 lbs	Meritor U300	
WR	34000 lbs	Meritor SL100		Z1	38000 lbs	Meritor SQDD	
WS	34000 lbs	Meritor SL100		Z2	29000 lbs	Meritor U300	
WT	34000 lbs	Meritor SL100		Z2	38000 lbs	Meritor SQDD	
WU	34000 lbs	Meritor SL100		Z3	29000 lbs	Meritor U300	
WV	34000 lbs	Meritor SL100		Z3	23000 lbs	Meritor R302	
WW	34000 lbs	Meritor SL100		ZY	46000 lbs	Eaton 38R3	
X1	23000 lbs	Meritor RS23240					
X1	23000 lbs	Meritor RT341					
X1	38000 lbs	Eaton 38R3					
X2	23000 lbs	Meritor RS23240					
X2	23000 lbs	Meritor RT341					
X3	23000 lbs	Meritor RS23240					
X3	23000 lbs	Meritor RT341					
X3	38000 lbs	Eaton 38R3					
X4	23000 lbs	Meritor RS23240					
X4	23000 lbs	Meritor RT341					
X5	23000 lbs	Meritor RS23240					
X5	23000 lbs	Meritor RT341					
X6	23000 lbs	Meritor RS23240					
X7	23000 lbs	Meritor RS23240					
X8	23000 lbs	Meritor RS23240					
X9	23000 lbs	Meritor RS23240					
XA	23000 lbs	Meritor RT341					
XB	23000 lbs	Meritor RT341					
XB	44000 lbs	Meritor SRDD					
XC	23000 lbs	Meritor RT341					
XD	23000 lbs	Meritor RT341					
XE	23000 lbs	Meritor RT341					
XF	58000 lbs	Meritor SUDD					
XK	58000 lbs	Meritor SUDD					
XP	65000 lbs	Meritor SFDD4640					
XP	38000 lbs	Meritor SQ100					
XQ	38000 lbs	Meritor SQ100					
XS	65000 lbs	Meritor SFDD4640					
XT	65000 lbs	Meritor SFDD4640					
Y1	23000 lbs	Meritor R302					
Y2	23000 lbs	Meritor R302					

Freightliner Axle Model Index

Model	Capacity	See	Line No.	Model	Capacity	See	Line No.
18D			1	38D			1
19 Series			2	40000 lbs.			3
38000 lbs.			3	44D			2

Mfr Line Number	Scotseal® PlusXL	Scotseal® Classic	Scotseal® Longlife	Inner (Cone/Cup)	Outer (Cone/Cup)	Grease Seal Location	Grease Seal Number
--------------------	---------------------	----------------------	-----------------------	---------------------	---------------------	-------------------------	-----------------------

Freightliner

1	◇ 47692 (Reorder:) 47691	47697	47693	BR598/ 592-A VP	BR575/ BR572		
2	◇ 47692 (Reorder:) 47691	47697	47693	BR594/ 592-A VP	BR580/ BR572 ▲SET401		
3	◇ 47692 (Reorder:) 47691	47697	47693	594-A VP/ 592-A VP ▲SET403	BR580/ BR572 ▲SET401		

GMC Axle Model Index

Model	Capacity	See	Line No.	Model	Capacity	See	Line No.
1350	13000 lbs.	Eaton 1350		17321	17000 lbs.	Eaton 17321	
13600	15000 lbs.	Eaton 13600		17401	17000 lbs.	Eaton 17401	
13602	15000 lbs.	Eaton 13602		17421	17000 lbs.	Eaton 17421	
13800	15000 lbs.	Eaton 13800		17500	18500 lbs.	Eaton 17500	
13802	15000 lbs.	Eaton 13802		17501	18500 lbs.	Eaton 17501	
13803	15000 lbs.	Eaton 13803		17600	18500 lbs.	Eaton 17600	
15040S	15000 lbs.	Eaton 15040S		17601	18500 lbs.	Eaton 17601	
15040T	15000 lbs.	Eaton 15040T		17700	18500 lbs.	Eaton 17700	
15101	15000 lbs.	Eaton 15101		17701	18500 lbs.	Eaton 17701	
15121	15000 lbs.	Eaton 15121		1780	18500 lbs.	Eaton 1780	
15201	15000 lbs.	Eaton 15201		17800	18500 lbs.	Eaton 17800	
16000	17000 lbs.	Eaton 16000		17801	18500 lbs.	Eaton 17801	
16000	16000 lbs.		21	17815	18500 lbs.	Eaton 17815	
16050	17000 lbs.	Eaton 16050		1790	18500 lbs.	Eaton 1790	
16050	16000 lbs.		21	1790A	18500 lbs.	Eaton 1790A	
16051	17000 lbs.	Eaton 16051		1791	18500 lbs.	Eaton 1791	
16051	16000 lbs.		21	1791A	18500 lbs.	Eaton 1791A	
16120	17000 lbs.	Eaton 16120		1792	18500 lbs.	Eaton 1792	
16121	17000 lbs.	Eaton 16121		1793	18500 lbs.	Eaton 1793	
16122	17000 lbs.	Eaton 16122		1795	18500 lbs.	Eaton 1795	
1614	16000 lbs.	Eaton 1614		1796	18500 lbs.	Eaton 1796	
1615	16000 lbs.	Eaton 1615		18100	22000 lbs.	Eaton 18100	
1618	16000 lbs.	Eaton 1618		18101	22000 lbs.	Eaton 18101	
1619	16000 lbs.	Eaton 1619		18121	22000 lbs.	Eaton 18121	
16220	17000 lbs.	Eaton 16220		18200	22000 lbs.	Eaton 18200	
16221	17000 lbs.	Eaton 16221		18201	22000 lbs.	Eaton 18201	
16244	17500 lbs.		19	18221	22000 lbs.	Eaton 18221	
16244	17000 lbs.	Eaton 16244		18500	22000 lbs.	Eaton 18500	
16500	16000 lbs.	Eaton 16500		18501	22000 lbs.	Eaton 18501	
16501	16000 lbs.	Eaton 16501		18600	22000 lbs.	Eaton 18600	
16600	16000 lbs.	Eaton 16600		18601	22000 lbs.	Eaton 18601	
16601	16000 lbs.	Eaton 16601		18700	22000 lbs.	Eaton 18700	
16800	16000 lbs.	Eaton 16800		18701	22000 lbs.	Eaton 18701	
16801	16000 lbs.	Eaton 16801		1880	22000 lbs.	Eaton 1880	
16802	16000 lbs.	Eaton 16802		18802	22000 lbs.	Eaton 18802	
16803	16000 lbs.	Eaton 16803		18803	22000 lbs.	Eaton 18803	
17000	17000 lbs.	Eaton 17000		1890	22000 lbs.	Eaton 1890	
17100	17000 lbs.	Eaton 17100		1891	22000 lbs.	Eaton 1891	
17101	17000 lbs.	Eaton 17101		1892	22000 lbs.	Eaton 1892	
17121	17000 lbs.	Eaton 17121		1893	22000 lbs.	Eaton 1893	
1715	18500 lbs.	Eaton 1715		1895	22000 lbs.	Eaton 1895	
1716	18500 lbs.	Eaton 1716		1896	22000 lbs.	Eaton 1896	
17200	19000 lbs.	Eaton 17200		19050S	19000 lbs.	Eaton 19050S	
17201	19000 lbs.	Eaton 17201		19050T	19000 lbs.	Eaton 19050T	
17220	18500 lbs.	Eaton 17220		19055T	23000 lbs.		17
17221	18500 lbs.	Eaton 17221		1910	23000 lbs.	Eaton 1910	

For in-text symbols, see page 5A.

GMC Axle Model Index (continued)

Model	Capacity	See	Line No.	Model	Capacity	See	Line No.
19100	22000 lbs.	Eaton 19100		30DP	30000 lbs.	Eaton 30DP	
19101	22000 lbs.	Eaton 19101		30DS	30000 lbs.	Eaton 30DS	
1911	23000 lbs.	Eaton 1911		30DSC	30000 lbs.	Eaton 30DSC	
19121	22000 lbs.	Eaton 19121		30M	30000 lbs.	Eaton 30M	
1918	23000 lbs.	Eaton 1918		32M	32000 lbs.	Eaton 32M	
1919	23000 lbs.	Eaton 1919		34D	34000 lbs.	Eaton 34D	
19200	23000 lbs.	Eaton 19200		34D3	34000 lbs.	Eaton 34D3	
19201	23000 lbs.	Eaton 19201		34D3C	34000 lbs.	Eaton 34D3C	
19220	23000 lbs.	Eaton 19220		34DS	34000 lbs.	Eaton 34DS	
19221	23000 lbs.	Eaton 19221		34DSC	34000 lbs.	Eaton 34DSC	
19421	22000 lbs.	Eaton 19421		34DT	34000 lbs.	Eaton 34DT	
19500	23000 lbs.	Eaton 19500		34DTA	34000 lbs.	Eaton 34DTA	
19501	23000 lbs.	Eaton 19501		34DTC	34000 lbs.		2
19502	23000 lbs.	Eaton 19502		34M	34000 lbs.	Eaton 34M	
19503	23000 lbs.	Eaton 19503		34RT	34000 lbs.	Eaton 34RT	
19515	23000 lbs.	Meritor R164		38D	38000 lbs.	Eaton 38D	
21065S	21000 lbs.	Eaton 21065S		38DP	38000 lbs.		12
21065T	21000 lbs.	Eaton 21065T		38DPA	38000 lbs.	Eaton 38DPA	
21100	21000 lbs.	Eaton 21100		38DS	38000 lbs.	Eaton 38DS	
21101	21000 lbs.	Eaton 21101		38DSC	38000 lbs.		11
21121	21000 lbs.	Eaton 21121		38DTC	38000 lbs.		12
21200	21000 lbs.	Eaton 21200		38RSE	38000 lbs.		12
21201	21000 lbs.	Eaton 21201		44D	44000 lbs.	Eaton 44D	
21221	21000 lbs.	Eaton 21221		44DP	44000 lbs.		13
21400	21000 lbs.		14	44DT	44000 lbs.		13
21421	21000 lbs.	Eaton 21421		44DTC	44000 lbs.		13
22065S	22000 lbs.	Eaton 22065S		480DP	48000 lbs.	Meritor R164	
22065T	22000 lbs.	Eaton 22065T		55417H		Meritor 55417H	
22100	22000 lbs.	Eaton 22100		58352		Meritor 58352	
22101	22000 lbs.	Eaton 22101		58455		Meritor 58455	
22121	22000 lbs.	Eaton 22121		6803	16000 lbs.	Eaton 6803	
22200	22000 lbs.	Eaton 22200		70	7000 lbs.	Spicer 70	
22201	22000 lbs.	Eaton 22201		70HD	7000 lbs.	Spicer 70HD	
22221	22000 lbs.	Eaton 22221		7800	18500 lbs.	Eaton 7800	
22500	23000 lbs.	Eaton 22500		7801	18500 lbs.	Eaton 7801	
22501	23000 lbs.	Eaton 22501		8802	22000 lbs.	Eaton 8802	
22M	22000 lbs.	Eaton 22M		8803	22000 lbs.	Eaton 8803	
23070P	23000 lbs.		14	B170	16000 lbs.	Eaton 1614	
23070S	23000 lbs.	Eaton 23070S		B170	16000 lbs.	Eaton 1615	
23070T	23000 lbs.	Eaton 23070T		B170	16000 lbs.	Eaton 1618	
230T4	23000 lbs.	Eaton 230T4		B170	16000 lbs.	Eaton 1619	
23100	23000 lbs.	Eaton 23100		B180	18500 lbs.	Eaton 1790	
23101	23000 lbs.	Eaton 23101		B180	18500 lbs.	Eaton 1791	
23105			26	B210	22000 lbs.	Eaton 1892	
23105C	23000 lbs.	Eaton 23105C		B210	22000 lbs.	Eaton 1893	
23105S	23000 lbs.	Eaton 23105S		B220	23000 lbs.	Eaton 1910	
23121	23000 lbs.	Eaton 23121		B220	23000 lbs.	Eaton 1911	
23200	23000 lbs.	Eaton 23200		BA185	23000 lbs.	Eaton 1910	
23201	23000 lbs.	Eaton 23201		BA185	23000 lbs.	Eaton 1911	
23221	23000 lbs.	Eaton 23221		BA230	23000 lbs.	Eaton 1910	
23300	23000 lbs.	Eaton 23300		BA230	23000 lbs.	Eaton 1911	
23321	23000 lbs.	Eaton 23321		BD340	23000 lbs.	Eaton 1911	
23400	23000 lbs.	Eaton 23400		BD340	32000 lbs.	Eaton 32M	
23421	23000 lbs.	Eaton 23421		BD340	34000 lbs.	Eaton 34M	
26058P			27	BP270	23000 lbs.	Eaton 1911	
26085P	26000 lbs.	Eaton 26085P		BP271	23000 lbs.	Eaton 1911	
26085S	26000 lbs.	Eaton 26085S		D160	16000 lbs.	Eaton 6803	
26085T	26000 lbs.	Eaton 26085T		D185	18500 lbs.	Eaton 7800	
26100	26000 lbs.	Eaton 26100		D185	18500 lbs.	Eaton 7801	
26121	26000 lbs.	Eaton 26121		D210	22000 lbs.	Eaton 8802	
2613	21000 lbs.	Eaton 2613		D210	22000 lbs.	Eaton 8803	
2614	21000 lbs.	Eaton 2614		D220	23000 lbs.	Meritor RT240	
2615	21000 lbs.	Eaton 2615		D225	23000 lbs.	Meritor R200	
2616	21000 lbs.	Eaton 2616		D226	23000 lbs.	Meritor R230	
26200	26000 lbs.	Eaton 26200		D290	29000 lbs.	Meritor U200	
26221	26000 lbs.	Eaton 26221		D341P3	34000 lbs.	Eaton D341P3	
2627	22000 lbs.	Eaton 2627		D34P3	34000 lbs.	Eaton D34P3	
2695	22000 lbs.	Eaton 2695		D365	29000 lbs.	Meritor U200	
2696	22000 lbs.	Eaton 2696		D380			26
28M	28000 lbs.	Eaton 28M		D400P			26
28MR			28	D440P			26
30D	30000 lbs.	Eaton 30D		D70HD	7000 lbs.	Spicer 70HD	

**A
P
P
L
I
C
A
T
I
O
N
S**

**T
R
A
I
L
E
R
,
T
A
G
&
P
U
S
H
E
R
A
X
L
E
S**

**F
R
O
N
T
A
X
L
E
S**

**D
R
I
V
E
A
X
L
E
S**

**M
E
D
I
U
M
T
R
U
C
K**

For in-text symbols, see page 5A.

GMC Axle Model Index (continued)

Model	Capacity	See	Line No.	Model	Capacity	See	Line No.
DD340	34000 lbs.	Meritor SLDD		H100	17000 lbs.	Meritor H100	
DD380	38000 lbs.	Eaton 38D		H101	17000 lbs.	Meritor H101	
DD380	38000 lbs.	Eaton 38DPA		H110	11000 lbs.		4
DD500	60000 lbs.	Meritor SFDD4600		H125	12500 lbs.		5
DD500	60000 lbs.	Meritor SFD4600		H130	13000 lbs.		6
DP341	34000 lbs.	Eaton DP341		H135	13500 lbs.		4
DP346	23000 lbs.	Meritor RT240		H140	14000 lbs.		6
DP381P	38000 lbs.	Eaton DP381P		H150	15000 lbs.		7
DP38P	38000 lbs.		11	H160	16000 lbs.	Meritor G161	
DP401P	40000 lbs.	Eaton DP401P		H162	18500 lbs.	Meritor H162	
DP402	49000 lbs.	Meritor R164		H170	17000 lbs.		8
DP402P	40000 lbs.	Eaton DP402P		H172	17000 lbs.	Meritor H172	
DP406	40000 lbs.	Meritor R164		H172	18500 lbs.	Meritor H140	
DP406P	40000 lbs.	Eaton DP406P		H173	18500 lbs.	Meritor H162	
DP440P	44000 lbs.	Eaton DP440P		H175	17000 lbs.	Meritor H175	
DP456P	45000 lbs.	Eaton DP456P		H175	17500 lbs.		9
DP460P	46000 lbs.	Eaton DP460P		H175	18500 lbs.		19
DP461P	46000 lbs.	Eaton DP461P		H185	18500 lbs.	Meritor L161	
DP480P	48000 lbs.	Eaton DP480P		H220	23000 lbs.	Meritor R140	
DP580P	58000 lbs.		15	H240	18500 lbs.	Meritor H240	
DP650	65000 lbs.		16	H300	17000 lbs.	Meritor H300	
DP650P	65000 lbs.	Eaton DP650P		H340	17000 lbs.	Meritor H340	
DS340	34000 lbs.	Eaton DS340		H350	17000 lbs.	Meritor H350	
DS341	34000 lbs.	Eaton DS341		H362	17000 lbs.	Meritor H362	
DS380	38000 lbs.	Eaton DS380		H370	17000 lbs.	Meritor H370	
DS381	38000 lbs.	Eaton DS381		HD2	13500 lbs.		30
DS381	40000 lbs.		19	HD280	28000 lbs.	Eaton 28M	
DS381P	38000 lbs.	Eaton DS381P		HD340	34000 lbs.	Meritor SLHD	
DS381P	40000 lbs.		19	HD380	38000 lbs.	Meritor SQHD	
DS386P	38000 lbs.	Eaton DS386P		HO52	5200 lbs.		3
DS400	40000 lbs.	Eaton DS400		HO72	7200 lbs.		3
DS401	40000 lbs.	Eaton DS401		HO75	7500 lbs.		3
DS401P	40000 lbs.	Eaton DS401P		HP270	23000 lbs.	Meritor R140	
DS402	40000 lbs.	Eaton DS402		HP275	23000 lbs.	Meritor R140	
DS402P	40000 lbs.	Eaton DS402P		HP340	23000 lbs.	Meritor R140	
DS440	44000 lbs.	Eaton DS440		L161	18500 lbs.	Meritor L161	
DS440P	44000 lbs.	Eaton DS440P		L162	18500 lbs.	Meritor L162	
DS456P	45000 lbs.	Eaton DS456P		L172	18500 lbs.	Meritor 172	
DS460P	46000 lbs.	Eaton DS460P		L350			29
DS461P	46000 lbs.	Eaton DS461P		L351	18500 lbs.	Meritor L351	
DS480	48000 lbs.	Meritor R164		L361	18500 lbs.	Meritor L361	
DS480P	48000 lbs.	Eaton DS480P		L362	18500 lbs.	Meritor L362	
DS650P	65000 lbs.	Eaton DS650P		L370	18500 lbs.	Meritor L370	
DSP50		Eaton DSP50		L371	19000 lbs.	Meritor L371	
DT341	34000 lbs.	Eaton DT341		LT301	18500 lbs.	Meritor LT301	
DT381	38000 lbs.	Eaton DT381		M185T	18500 lbs.	Spicer M185T	
DT381P	38000 lbs.	Eaton DT381P		M190S	19000 lbs.	Spicer M190S	
DT400	40000 lbs.	Meritor R164		M190T	19000 lbs.	Spicer M190T	
DT401P	40000 lbs.	Eaton DT401P		M200S	22000 lbs.		14
DT402	40000 lbs.	Eaton DT402		M200T	22000 lbs.	Meritor PR75N	
DT402P	40000 lbs.	Eaton DT402P		M220S	22000 lbs.	Spicer M220S	
DT440	44000 lbs.	Meritor R164		M220T	22000 lbs.	Spicer M220T	
DT440P	44000 lbs.	Eaton DT440P		Q100	22000 lbs.	Meritor Q100	
DT460P	46000 lbs.	Eaton DT460P		Q145	22000 lbs.	Meritor Q145	
DT461P	46000 lbs.	Eaton DT461P		Q380	22000 lbs.	Meritor Q380	
DT480P	48000 lbs.	Eaton DT480P		Q390	22000 lbs.	Meritor Q390	
DW3012	36000 lbs.		16	QT140	22000 lbs.	Meritor QT140	
E301	13500 lbs.	Meritor E301		QT230	22000 lbs.	Meritor QT230	
E350	13500 lbs.	Meritor E350		QT340	22000 lbs.	Meritor QT340	
E370	13000 lbs.	Meritor E370		R100	23000 lbs.	Meritor R100	
F106	15000 lbs.	Meritor F106		R140	23000 lbs.	Meritor R140	
F155S	15000 lbs.		1	R164	23000 lbs.	Meritor R164	
F341	15000 lbs.	Meritor F341		R170	23000 lbs.	Meritor R170	
G161	16000 lbs.	Meritor G161		R200	23000 lbs.	Meritor R200	
G175S	17500 lbs.	Spicer G175S		R230	23000 lbs.	Meritor R230	
G175T	17500 lbs.	Spicer G175T		R300	23000 lbs.	Meritor R300	
G185S	18500 lbs.	Spicer G185S		R380	23000 lbs.	Meritor R380	
G185T	18500 lbs.	Spicer G185T		R390	23000 lbs.	Meritor R390	
G190S	19000 lbs.	Spicer G190S		R70HD	7000 lbs.	Spicer 70HD	
G341	16000 lbs.	Meritor G341		RL170	23000 lbs.	Meritor RL170	
G361	16000 lbs.	Meritor G361		RS16140	16000 lbs.	Meritor RS16140	
GM34000	34000 lbs.		2	RS170	23000 lbs.	Meritor PR75N	

For in-text symbols, see page 5A.

GMC Axle Model Index (continued)

Model	Capacity	See	Line No.	Model	Capacity	See	Line No.
RS21145	21000 lbs.	Meritor RS21145		T130	15000 lbs.	Eaton 13800	
RS23160	23000 lbs.	Meritor RS23160		T150	15000 lbs.		7
RS23180	23000 lbs.	Meritor RS23180		T155	26000 lbs.	Meritor T155	
RS341	34000 lbs.	Meritor LHK		T160	16000 lbs.	Meritor G361	
RS381	38000 lbs.	Meritor R164		T170	17000 lbs.		10
RS440	44000 lbs.	Meritor R164		T170	16000 lbs.	Eaton 16802	
RT240	23000 lbs.	Meritor RT240		T170	16000 lbs.	Eaton 16803	
RT340	23000 lbs.	Meritor RT340		T172	17000 lbs.	Meritor H340	
RT341	34000 lbs.	Meritor LHK		T173	17000 lbs.	Meritor H362	
RT381	38000 lbs.	Meritor R164		T175	17000 lbs.	Meritor H340	
S170	26000 lbs.	Meritor S170		T175	17500 lbs.		9
SD3010	36000 lbs.		16	T180	18500 lbs.	Eaton 17800	
SD3010P	36000 lbs.	Meritor SD3010P		T180	18500 lbs.	Eaton 17801	
SD3011	36000 lbs.	Meritor SD3011		T185	18500 lbs.		2
SD3020	36000 lbs.	Meritor SD3020		T185	18500 lbs.	Meritor L361	
SFD460	36000 lbs.	Meritor SFD460		T210	22000 lbs.	Eaton 18802	
SFD4600	60000 lbs.	Meritor SFD4600		T210	22000 lbs.	Eaton 18803	
SFDD3020	36000 lbs.	Meritor SFDD3020		T220	23000 lbs.	Eaton 19503	
SFDD4600	60000 lbs.	Meritor SFDD4600		T224	23000 lbs.	Meritor RT340	
SFDD4600	65000 lbs.		18	T225	23000 lbs.	Meritor R300	
SFHD	28000 lbs.	Meritor SFHD		T295	29000 lbs.	Meritor U300	
SL100	34000 lbs.	Meritor SL100		TA182	18500 lbs.	Eaton 17815	
SL100P	34000 lbs.	Meritor SL100P		TA185	23000 lbs.	Eaton 19515	
SLDD	34000 lbs.	Meritor SLDD		TA230	23000 lbs.	Eaton 19503	
SLHD	34000 lbs.	Meritor SLHD		TD340	34000 lbs.	Eaton 34DTA	
SLHR	34000 lbs.	Meritor SLHR		TP270	23000 lbs.	Eaton 19503	
SP50		Eaton SP50		TP340	23000 lbs.	Eaton 19503	
SQ100	38000 lbs.	Meritor SQ100		TP341	23000 lbs.	Eaton 19503	
SQ100P	40000 lbs.		20	TP341	23000 lbs.	Meritor R300	
SQ100P	38000 lbs.	Meritor SQ100P		TT340	23000 lbs.	Eaton 19503	
SQDD	38000 lbs.	Meritor SQDD		U200	29000 lbs.	Meritor U200	
SQHD	38000 lbs.	Meritor SQHD		U240	29000 lbs.	Meritor U240	
SQHP	38000 lbs.	Meritor SQHP		U300	29000 lbs.	Meritor U300	
SQW	38000 lbs.	Meritor SQW		W4			22
SR170	46000 lbs.	Meritor SR170		W4L			22
SR270	46000 lbs.	Meritor SR270		W6			23
SSHD	46000 lbs.	Meritor SSHD		W7H			25
STHD	50000 lbs.	Meritor STHD		W7M			24
SU170	58000 lbs.	Meritor SU170		W7T			25
SU270	58000 lbs.	Meritor SU270		WD480	36000 lbs.	Meritor SW456	
SUHD	55000 lbs.	Meritor SUHD					
SW280	70000 lbs.	Meritor SW280					
SW3010	36000 lbs.	Meritor SW3010					
SW3010P	36000 lbs.	Meritor SW3010P					
SW3012	36000 lbs.	Meritor SW3012					
SW3012P	36000 lbs.	Meritor SW3012P					
SW3014	36000 lbs.	Meritor SW3014					
SW3014P	36000 lbs.	Meritor SW3014P					
SW3020	36000 lbs.	Meritor SW3020					
SW3020P	36000 lbs.	Meritor SW3020P					
SW456	36000 lbs.	Meritor SW456					
SW456A	50000 lbs.		15				
SW456P	36000 lbs.	Meritor SW456P					

Mfr Line Number	Scotseal® PlusXL	Scotseal® Classic	Scotseal® Longlife	Inner (Cone/Cup)	Outer (Cone/Cup)	Grease Seal Location	Number
--------------------	---------------------	----------------------	-----------------------	---------------------	---------------------	-------------------------	--------

GMC

1							
Disc Brks.		39380		BR33287/ BR33462	BR3982/ BR3920		
Drum Brks.		39420		BR33287/ BR33462	BR3982/ BR3920		
2							
5.506" Seal O.D.		38750		BR47686/ BR47620 ▲SET411	BR39590/ BR39520 ▲SET408	Inner Seal Kit	1224

APPLICATIONS

TRAILER, TAG & PUSHER AXLES

FRONT AXLES

DRIVE AXLES

MEDIUM TRUCK

Mfr Line Number	Scotseal® PlusXL	Scotseal® Classic	Scotseal® Longlife	Inner (Cone/Cup)	Outer (Cone/Cup)	Grease Seal Location	Number
GMC (continued)							
5.696" Seal O.D.	38776	38780		BR47686/ BR47620 ▲SET411	BR39590/ BR39520 ▲SET408		
3				388-A VP/ BR382	368-S/ BR362 ▲KB11630-Z	Inner	28425
4 From 1982		31323		BR3984/ BR3920	BR28682/ BR28622 ▲SET407		
Thru 1981				395-CS/ 394-CS ▲KD12051-Z	BR387/ BR382 ▲KB11786-Y	Inner - H110 Inner - H135 From 1973 Inner - H135 Thru 1972	31870 34700 34985
5				BR33281/ BR33462	BR45290/ BR45220	Inner	35012
6 From 1960				395-CS/ 394-CS ▲KD12051-Z	BR387/ BR382 ▲KB11786-Y	Inner	34985
Thru 1959				B12235-YK	KA11950-Z	Inner - Seal Kit Inner - Seal Only	162 36314
7 From 1982		39420		BR33287/ BR33462 B12235-YK	BR3982/ BR3920 KA11950-Z	Inner - Seal Kit Inner - Seal Only	162 36314
Thru 1981 w/15"x4" Brks. .							
Thru 1981 w/15"x5" Brks. & L Type Brg. Spacer		42550		BR33287/ BR33462	BR3982/ BR3925	Inner	41550
Thru 1981 w/15"x5" Brks. & R Type Brg. Spacer		42550* w/455024		BR33287/ BR33462	BR3982/ BR3925	Inner	41550
8 From 1982		39420		495-AX VP/ BR493	BR39590/ BR39520 ▲SET408		
Thru 1981 w/L Type Brg. Spacer		42550		495-AX VP/ BR493	BR39590/ BR39520 ▲SET408	Inner	41550
Thru 1981 w/R Type Brg. Spacer		42550* w/455024		495-AX VP/ BR493	BR39590/ BR39520 ▲SET408	Inner	41550
9 3.875" Shaft		38750		495-AX VP/ BR493	BR39590/ BR39520 ▲SET408		
3.938" Shaft		39420		495-AX VP/ BR493	BR39590/ BR39520 ▲SET408		

For in-text symbols, see page 5A.

Mfr Line Number	Scotseal® PlusXL	Scotseal® Classic	Scotseal® Longlife	Inner (Cone/Cup)	Outer (Cone/Cup)	Grease Seal Location	Number
GMC (continued)							
10 From 1982		39420		495-AX VP/ BR493	BR39590/ BR39520 ▲SET408		
Thru 1981 w/Air Brks. & L Type Brg. Spacer		42550		495-AX VP/ BR493	BR39590/ BR39520 ▲SET408	Inner	41550
Thru 1981 w/Air Brks. & R Type Brg. Spacer		42550* w/455024		495-AX VP/ BR493	BR39590/ BR39520 ▲SET408	Inner	41550
Thru 1981 w/Hyd. Brks. & L Type Brg. Spacer		42550		495-AX VP/ BR493	BR39590/ BR39521	Inner	41550
Thru 1981 w/Hyd. Brks. & R Type Brg. Spacer		42550* w/455024		495-AX VP/ BR493	BR39590/ BR39521	Inner	41550
11		43860		BR598/ 592-A VP	BR575/ BR572		
12 3.875" Shaft		38750		BR598/ 592-A VP	BR575/ BR572		
3.938" Shaft		39420		BR598/ 592-A VP	BR575/ BR572		
13 3.625 " Inner Cone I.D.	48002	48000			BR580/ BR572 ▲SET401		
3.750" Inner Cone I.D.	45157	45160		594-A VP/ 592-A VP ▲SET403	BR580/ BR572 ▲SET401		
14 3.875" Shaft	38776	38780		594-A VP/ 592-A VP ▲SET403	BR580/ BR572 ▲SET401		
4.766" Shaft	48002	48000		594-A VP/ 592-A VP ▲SET403	BR580/ BR572 ▲SET401		
15 To 1983		48884		BR760/ BR752	BR749/ BR742		
16	40129	40136 or 40139 ⁵		BR575/ BR572	BR575/ BR572		
17	38776	38780		BR47686/ BR47620 ▲SET411	BR39590/ BR39520 ▲SET408		
18 From 1983		55177* w/455054		BR782/ BR772	BR749/ BR742		
Thru 1982		48884		BR760/ BR752	BR749/ BR742		

APPLICATIONS

TRAILER, TAG & PUSHER AXLES

FRONT AXLES

DRIVE AXLES

MEDIUM TRUCK

Mfr Line Number	Scotseal® PlusXL	Scotseal® Classic	Scotseal® Longlife	Inner (Cone/Cup)	Outer (Cone/Cup)	Location	Grease Seal Number
GMC (continued)							
19							
w/3.875" Shaft		38750		495-AX VP/ BR493	BR39520/ BR572		
w/3.937" Shaft		39420		495-AX VP/ BR493	BR39590/ BR39520 ▲SET408		
20							
.....	◇ 47692 (Reorder:) 47691	47697	47693	594-A VP/ 592-A VP ▲SET403	BR580/ BR572 ▲SET401		
21							
.....	40129	40136		BR33281/ BR33462	BR3982/ BR3920		
22							
.....				BR29585/ BR29520	BR28680/ BR28622	Outer 19333 Inner 31490	
23							
.....				BR32215	BR32213	Outer 22284 Inner 37408	
24							
.....					BR32215	Outer 25190 Inner 39070	
25							
.....						Outer 30771 Inner 46060	
26							
.....	48002	48000		594-A VP/ 592-A VP ▲SET403	BR580/ BR572 ▲SET401		
27							
.....	◇ 47692 (Reorder:) 47691	47697 or 47698 ⁵	47693		BR580/ BR572 ▲SET401		
28							
.....				495-AX VP/ BR493			
29							
.....	38776	38780		BR47686/ BR47620 ▲SET411	BR39585/ BR39520		
30							
.....				BR33287/ BR33462	BR3982/ BR3920	Outer Seal Kit 23870 Inner 34383	

GMC Truck Axle Model Index

Model	Capacity	See	Line No.	Model	Capacity	See	Line No.
Transmode			1	W4			2

For in-text symbols, see page 5A.

Mfr Line Number	Scotseal® PlusXL	Scotseal® Classic	Scotseal® Longlife	Inner (Cone/Cup)	Outer (Cone/Cup)	Grease Seal Location	Number
1				LM501349 VP/ LM501310 VP ▲BR35	15103-S VP/ BR15243 ▲BR100	Inner	21771
2				BR29586/ BR29520	BR28622/ BR28680		

Gruman Axle Model Index

Model	Capacity	See	Line No.	Model	Capacity	See	Line No.
C43121519KN			1				

Mfr Line Number	Scotseal® PlusXL	Scotseal® Classic	Scotseal® Longlife	Inner (Cone/Cup)	Outer (Cone/Cup)	Grease Seal Location	Number
1		48690		BR6580/ BR6535	BR663/ BR653 ▲SET405		

Harnischfeger - See Axle Mfr.

Hayes - See Axle Mfr.

Hendrickson Axle Model Index

Model	Capacity	See	Line No.	Model	Capacity	See	Line No.
360-3T			2	AD290			1
500CT			3				

Mfr Line Number	Scotseal® PlusXL	Scotseal® Classic	Scotseal® Longlife	Inner (Cone/Cup)	Outer (Cone/Cup)	Grease Seal Location	Number
1						Outer	22492
2		42800				Inner	40108
3						Inner Seal Kit 4.766" Shaft	1256
						Inner Seal Kit 4.824" Shaft	54935

Hino Axle Model Index

Model	Capacity	See	Line No.	Model	Capacity	See	Line No.
FA141S			1	FD172S			3
FA142S			1	FD173S			3
FA143S			1	FD174S			3
FB142S			1	FD175S			3
FB143S			1	FD177S			3
FB144S			1	FE162S			5
FD162S			2	FE163S			5
FD163S			2	FE164S			5
FD164S			2	FE165S			5

Hino Axle Model Index (continued)

Model	Capacity	See	Line No.	Model	Capacity	See	Line No.
FE167S			5	FFC15S			5
FE172S			5	FFC17S			5
FE173S			5	FFC18S			5
FE174S			5	FG223S			5
FE175S			5	FG225S			5
FE177S			5	SF172S			5
FE194S			5	SF173S			5
FE195S			5	SF174S			5
FF172S			5	SF175S			5
FF173S			5	SF177S			5
FF174S			5	SF178S			5
FF175S			5	SG193S			5
FF177S			5	SG195S			5
FF178S			5	SG197S			5
FF192S			5	SG198S			5
FF193S			5	SG213S			4
FF194S			5	SG231S			4
FF195S			5	SG233S			4
FF197S			5	SG235S			4
FF198S			5	SG237S			4
FFC12S			5	SG238S			4
FFC13S			5				
FFC14S			5				

Mfr Line Number	Scotseal® PlusXL	Scotseal® Classic	Scotseal® Longlife	Inner (Cone/Cup)	Outer (Cone/Cup)	Grease Seal Location	Number
--------------------	---------------------	----------------------	-----------------------	---------------------	---------------------	-------------------------	--------

Hino

1					BR28680/ BR28622	Inner	42120
2					BR32215	Inner	49600
3				BR32215		Inner	49600
4						Inner	60622
5					BR32215	Inner	57080

Ibex - See Axle Mfr.

IHC - See Navistar

Ikarus-Crown Axle Model Index

Model	Capacity	See	Line No.	Model	Capacity	See	Line No.
B			1				

Mfr Line Number	Scotseal® PlusXL	Scotseal® Classic	Scotseal® Longlife	Inner (Cone/Cup)	Outer (Cone/Cup)	Grease Seal Location	Number
--------------------	---------------------	----------------------	-----------------------	---------------------	---------------------	-------------------------	--------

Ikarus-Crown

1		48690		BR6580/ BR6535	BR663/ BR653 ▲ SET405		
---	--	-------	--	-------------------	-----------------------------	--	--

Isuzu Axle Model Index

Model	Capacity	See	Line No.	Model	Capacity	See	Line No.
EVR			1	NPR			4
FSR			2	NPR-HD			7
FTR			3	NQR			6
FVR			1	NRR			5

Mfr Line Number	Scotseal® PlusXL	Scotseal® Classic	Scotseal® Longlife	Inner (Cone/Cup)	Outer (Cone/Cup)	Grease Seal Location	Grease Seal Number
-----------------	------------------	-------------------	--------------------	------------------	------------------	----------------------	--------------------

Isuzu

1						Inner	46060
2				BR32215	BR32213	Inner	37408
3					BR32215	Inner	39070
4				BR29586/ BR29520	BR28680/ BR28622	Inner	31490
5					BR32213	Inner	37408
6						Outer	19333
7						Outer	19333
						Inner	31490

Iveco Axle Model Index

Model	Capacity	See	Line No.	Model	Capacity	See	Line No.
10-14			1	335T			3
110			1	340T			3
120TA			1	Z100			1
12-11			1	Z110			1
12-12			1	Z120			1
12-14			5	Z120TA			1
15-14			2	Z220			2
18-14			2	Z220T			2
220			2	Z230			2
220T			2	Z230T			2
230T			2	Z340T			4

Mfr Line Number	Scotseal® PlusXL	Scotseal® Classic	Scotseal® Longlife	Inner (Cone/Cup)	Outer (Cone/Cup)	Grease Seal Location	Grease Seal Number
-----------------	------------------	-------------------	--------------------	------------------	------------------	----------------------	--------------------

Iveco

1				32014-X VP	32014-X VP	Inner	35410
2				BR33113	BR33113	Inner	35410
3				BR567/ BR563 ▲SET425	BR3984/ BR3920		
4				BR567/ BR563 ▲SET425	BR3984/ BR3920	Inner	37025
						Outer	39155

Mfr Line Number	Scotseal® PlusXL	Scotseal® Classic	Scotseal® Longlife	Inner (Cone/Cup)	Outer (Cone/Cup)	Grease Seal Location	Number
--------------------	---------------------	----------------------	-----------------------	---------------------	---------------------	-------------------------	--------

Iveco (continued)

5							
Auto. Trans.				32014-X VP	32014-X VP	Inner	35410
Man. Trans.				BR33113	BR33113	Inner	35410

Kenworth Truck Axle Model Index

Model	Capacity	See	Line No.	Model	Capacity	See	Line No.
905			1	K121			1
908			1	K122			1
921			1	W921			1
922			1	W922			1

Mfr Line Number	Scotseal® PlusXL	Scotseal® Classic	Scotseal® Longlife	Inner (Cone/Cup)	Outer (Cone/Cup)	Grease Seal Location	Number
--------------------	---------------------	----------------------	-----------------------	---------------------	---------------------	-------------------------	--------

Kenworth Truck

1							
.....						Inner Seal Kit 4.766" Shaft	1255
						Inner Seal Kit 4.824" Shaft	54930

Mack Axle Model Index

Model	Capacity	See	Line No.	Model	Capacity	See	Line No.
A20			28	EWV57CW			2
A20H			28	EWV57W			2
A30			23	H633LT			25
A30H			23	H633ST			25
A40			24	H633T			25
A40H			24	H63ST			25
A40T			24	H63T			25
A40X			24	MS200			29
A50			24	MS250			29
A50H			24	MS300			29
A50T			24	RA104			7
A51H			24	RA111	35000 lbs.		10
A51T			24	RA1141	27000 lbs.		4
A54			24	RA23	23000 lbs.		5
A54T			24	RA2D200			8
B30P			23	RA2D201			8
B30T			23	RA2D300	18000 lbs.		7
B30X			23	RA2D301	18000 lbs.		7
B42			25	RA2D302	18000 lbs.		7
B42P			25	RA2D304	18500 lbs.		7
B42SX			24	RA2D507	22000 lbs.		3
B42T			25	RA2D508	22000 lbs.		3
B42X			24	RA2D509	22000 lbs.		3
B50T			24	RA2D510	22000 lbs.		3
B60LT			25	RA2D511	22000 lbs.		3
B60S			26	RA2D512	22000 lbs.		3
B60X			25	RA2D513			3
BX			27	RA2D514			3
C41			25	RA2D516			3
C47			25	RA2D518	23000 lbs.		3
C49			25	RA2D519	23000 lbs.		3
D30P			23	RA2DL516			3
ES60C			1	RA2DL518	23000 lbs.		3
EW-48			32	RA2DL519	23000 lbs.		11
EW48C			2	RA2DT304	18500 lbs.		9
EW48CW			2	RA2DT306	18500 lbs.		9
EW48W			2	RA2DT306C	18500 lbs.		9
EW60C			1	RA2DT306CW	18500 lbs.		9
EWS571C			1	RA2DT306W	18500 lbs.		9
EWV571C			1	RA2DT518	23000 lbs.		11
EWV571CW			1	RA2DT519	23000 lbs.		11
EWV57C			2	RA2DT521	23000 lbs.		11

For in-text symbols, see page 5A.

Mack Axle Model Index (continued)

Model	Capacity	See	Line No.	Model	Capacity	See	Line No.
RA2DT5211	23000 lbs.		11	RADL533	23000 lbs.		3
RA2DT528			3	RADP-1000			34
RA2DT5281			3	RADP-1001			34
RA2DT532	22000 lbs.		12	RADS509	22000 lbs.		3
RA45			13	RAH23	23000 lbs.		5
RA47			7	RAR23	23000 lbs.		5
RA500			3	RAS200			8
RA59			10	RAS201			8
RA61			14	RAS23C			30
RA62			15	RAS24D			5
RA69			14	RAS2D400			3
RAC23C	23000 lbs.		5	RAS300	18000 lbs.		7
RAD-111			33	RAS301	18000 lbs.		7
RAD1111	32000 lbs.		4	RAS302	18000 lbs.		7
RAD1113	32000 lbs.		4	RAS303	18000 lbs.		7
RAD1141	27000 lbs.		4	RAS307	18500 lbs.		9
RAD231C			5	RAS307C	18500 lbs.		9
RAD23C	23000 lbs.		5	RAS307CW	18500 lbs.		9
RAD24D			5	RAS307W	18500 lbs.		9
RAD29C			6	RAS400			31
RAD30	30000 lbs.		17	RAS403			3
RAD300	18000 lbs.		7	RAS404			3
RAD301	18000 lbs.		7	RAS500			3
RAD302	18000 lbs.		7	RAS505			3
RAD303	18000 lbs.		7	RAS507	22000 lbs.		3
RAD305	18000 lbs.		7	RAS508	22000 lbs.		3
RAD38C			6	RAS509	22000 lbs.		3
RAD400			3	RAS512	22000 lbs.		3
RAD403			3	RAS512C	22000 lbs.		3
RAD404			3	RAS512CW	22000 lbs.		3
RAD500			3	RAS512W	22000 lbs.		3
RAD501			3	RAS572	40000 lbs.		3
RAD507	22000 lbs.		3	RAS580			3
RAD508	22000 lbs.		3	S34	34000 lbs.		18
RAD509	22000 lbs.		3	S38	38000 lbs.		18
RAD512	22000 lbs.		3	S440	44000 lbs.		1
RAD515	22000 lbs.		3	S441	44000 lbs.		20
RAD528	20000 lbs.		3	S501	50000 lbs.		3
RAD5281	20000 lbs.		3	S58	58000 lbs.		21
RAD5282	20000 lbs.		3	S65	65000 lbs.		6
RAD529	22500 lbs.		3	SA38C			16
RAD5291	23000 lbs.		3	SA38CW			16
RAD530	22500 lbs.		3	SA38W			16
RAD5301	23000 lbs.		3	SAL34	34000 lbs.		18
RAD530C	22500 lbs.		3	SAL34	34000 lbs.		22
RAD533	22500 lbs.		3	SAL38	38000 lbs.		18
RAD533C	22500 lbs.		3	SAL440	44000 lbs.		1
RAD533CW	22500 lbs.		3	SB38			5
RAD533W	22500 lbs.		3	SC342C			2
RAD606	27000 lbs.		4	SC342CW			2
RAD606C	27000 lbs.		6	SC342W			2
RAD608			4	SC34C			2
RAD608C			6	SC34CW			2
RAD703	35000 lbs.		4	SC34W			2
RAD703C	35000 lbs.		6	SC38C			2
RAD704	38000 lbs.		4	SC38CW			2
RAD704C	38000 lbs.		6	SC38W			2
RAD705	40000 lbs.		4	SH342			2
RAD705C	40000 lbs.		6	SH342C			2
RAD706			4	SH342CW			2
RAD707C	40000 lbs.		6	SH342W			2
RAD708C	40000 lbs.		6	SH34C			2
RADF-1000			34	SH34CW			2
RADL515			3	SH34W			2
RADL5151			3	SH38C			2
RADL5152			3	SH38CW			2
RADL5153			3	SH38W			2
RADL528			3	SHB342C			5
RADL5281			3	SHB342CW			5
RADL529	22500 lbs.		3	SHB342W			5
RADL5291	23000 lbs.		3	SHB-38			35
RADL5301	23000 lbs.		3	SHB38C			5

Mack Axle Model Index (continued)

Model	Capacity	See	Line No.	Model	Capacity	See	Line No.
SHB38CW			5	SWC5612C			2
SHB38W			5	SWC562C			2
SS34	34000 lbs.		22	SWC562CW			2
SS342C			2	SWC562W			2
SS342CW			2	SWC574C			2
SS342W			2	SWC57C			2
SS34C	34000 lbs.		2	SWC57CW			2
SS34CW	34000 lbs.		2	SWC57W			2
SS34W	34000 lbs.		2	SWD32			6
SS38C			2	SWD322			6
SS38CW			2	SWD44			1
SS38W			2	SWD441			1
SS440C			1	SWD442			1
SS441			1	SWD443			1
SS441C			1	SWD444			10
SS50			6	SWD451			14
SS501	50000 lbs.		3	SWD52	32000 lbs.		10
SS58	58000 lbs.		21	SWD53	32000 lbs.		10
SS58C			6	SWD5301	23000 lbs.		10
SS65C			6	SWD54			14
SS65CW			6	SWD56	34000 lbs.		2
SS65W			6	SWD561	34000 lbs.		2
SSB38	38000 lbs.		22	SWD562	34000 lbs.		2
SSB38C			5	SWD563	34000 lbs.		2
SSB38CW			5	SWD564	34000 lbs.		2
SSB38W			5	SWD57	38000 lbs.		10
ST34	34000 lbs.		22	SWD5701	38000 lbs.		10
ST34C	34000 lbs.		2	SWD571	40000 lbs.		1
ST34CW	34000 lbs.		2	SWD5711	40000 lbs.		1
ST34W	34000 lbs.		2	SWD572	40000 lbs.		1
ST38	38000 lbs.		18	SWD5721	40000 lbs.		1
SV34C	34000 lbs.		2	SWD573	40000 lbs.		1
SV34CW	34000 lbs.		2	SWD5731	40000 lbs.		1
SV34W	34000 lbs.		2	SWD574	38000 lbs.		10
SV38C			2	SWD5741	40000 lbs.		10
SV38CW			2	SWD575	40000 lbs.		1
SV38W			2	SWD5751	40000 lbs.		1
SW29			1	SWD5791	40000 lbs.		1
SW31			6	SWD58	44000 lbs.		14
SW32			6	SWD59	54000 lbs.		6
SW342C			2	SWD591	60000 lbs.		6
SW342CW			2	SWD592	60000 lbs.		6
SW342W			2	SWD5921	60000 lbs.		6
SW38C			2	SWD593	60000 lbs.		6
SW38CW			2	SWD68	50000 lbs.		6
SW38W			2	SWD681	50000 lbs.		6
SW44			1	SWD73	34000 lbs.		2
SW440C			1	SWD731	34000 lbs.		2
SW441	44000 lbs.		19	SWD732	34000 lbs.		2
SW441C			1	SWD7321	34000 lbs.		2
SW451			14	SWD75	34000 lbs.		2
SW501	50000 lbs.		3	SWD751	34000 lbs.		2
SW56	34000 lbs.		2	SWD76	36000 lbs.		2
SW561			2	SWD761	36000 lbs.		2
SW57			2	SWD762	36000 lbs.		2
SW570	40000 lbs.		1	SWD7621	36000 lbs.		2
SW571	40000 lbs.		1	SWD78	34000 lbs.		2
SW573	40000 lbs.		1	SWD83	34000 lbs.		2
SW5731			1	SWDL55	34000 lbs.		10
SW58	58000 lbs.		6	SWDL551	23000 lbs.		10
SW65C			6	SWDL56	34000 lbs.		2
SW76			2	SWDL561	34000 lbs.		2
SWA574C			2	SWDL563	34000 lbs.		2
SWA57C	38000 lbs.		2	SWDL564	34000 lbs.		2
SWA57CW	38000 lbs.		2	SWDL73			2
SWA57W	38000 lbs.		2	SWDL731	34000 lbs.		2
SWB342C			5	SWDL732	34000 lbs.		2
SWB342CW			5	SWDL7321	34000 lbs.		2
SWB342W			5	SWDL75	34000 lbs.		2
SWB38C			5	SWDL751	34000 lbs.		2
SWB38CW			5	SWDL76	36000 lbs.		2
SWB38W			5	SWDL761	36000 lbs.		2

For in-text symbols, see page 5A.

Mack Axle Model Index (continued)

Model	Capacity	See	Line No.	Model	Capacity	See	Line No.
SWDL7621	36000 lbs.		2	SWSL56CW			2
SWDL78	34000 lbs.		2	SWSL56W			2
SWDR48	27000 lbs.		3	SWTL561C			2
SWDR49	27000 lbs.		3	SWTL56C			2
SWH56	34000 lbs.		2	SWTL56CW			2
SWH562	34000 lbs.		16	SWTL56W			2
SWH562C	34000 lbs.		16	SWW5612C			2
SWH562CW	34000 lbs.		16	SWW562C			2
SWH562W	34000 lbs.		16	SWW562CW			2
SWH56C	34000 lbs.		2	SWW562W			2
SWH56CW	34000 lbs.		2	SWW57	38000 lbs.		6
SWH56W	34000 lbs.		2	SWW571	44000 lbs.		1
SWH57C			2	SWW5711			20
SWH57CW			2	SWW5711C			1
SWH57W			2	SWW571C	44000 lbs.		1
SWH762C			2	SWW572	40000 lbs.		1
SWH762CW			2	SWW573	40000 lbs.		1
SWH762W			2	SWW574C			2
SWH76C			2	SWW57C	38000 lbs.		2
SWH76CW			2	SWW57CW	38000 lbs.		2
SWH76W			2	SWW57W	38000 lbs.		2
SWS56	34000 lbs.		2	SWW592C	60000 lbs.		6
SWS561			2	SWW592CW	60000 lbs.		6
SWS5612C			2	SWW592W	60000 lbs.		6
SWS561C			2	SWW59C			6
SWS562C			2	SWW681C			6
SWS562CW			2	SWW68C			6
SWS562W			2	SWW762C			2
SWS56C	34000 lbs.		2	SWW762CW			2
SWS56CW	34000 lbs.		2	SWW762W			2
SWS56W	34000 lbs.		2	SWW76C			2
SWS5711C			1	SWW76CW			2
SWS571C	44000 lbs.		1	SWW76W			2
SWS571CW	44000 lbs.		1	SWWL562C			2
SWS571W	44000 lbs.		1	SWWL562CW			2
SWS572	40000 lbs.		1	SWWL562W			2
SWS573C			1	SWWL56C			2
SWS573CW			1	SWWL56CW			2
SWS573W			1	SWWL56W			2
SWS574C			2	WW681C			6
SWS57C			6				
SWS57CW			6				
SWS57W			6				
SWS592C	60000 lbs.		6				
SWS592CW	60000 lbs.		6				
SWS592W	60000 lbs.		6				
SWS59C			6				
SWS681C			6				
SWS68C			6				
SWS76C			2				
SWS76CW			2				
SWS76W			2				
SWSL56C			2				

Mfr Line Number	Scotseal® PlusXL	Scotseal® Classic	Scotseal® Longlife	Inner (Cone/Cup)	Outer (Cone/Cup)	Grease Seal Location	Grease Seal Number
-----------------	------------------	-------------------	--------------------	------------------	------------------	----------------------	--------------------

Mack

1	42673	42672		HM516449-C VP/ HM516410 VP ▲SET422	BR47679/ BR47620 ▲SET426	Inner	42644
2	45093	45099		BR580/ BR572 ▲SET401	BR567/ BR563 ▲SET425	Outer Inner	31327 45070

Mfr Line Number	Scotseal® PlusXL	Scotseal® Classic	Scotseal® Longlife	Inner (Cone/Cup)	Outer (Cone/Cup)	Location	Grease Seal Number
Mack (continued)							
3 From 1968 Exc. Alum. Hub..		43865		BR598/ 592-A VP	HM617049/ HM617010	Outer - 4.756"	
						Seal O.D.	35012
						Outer - 5.131"	
						Seal O.D.	35086
Thru 1967 Exc. Alum. Hub .		43865		BR598/ 592-A VP		Outer - 4.756"	
						Seal O.D.	35012
						Outer - 5.131"	
						Seal O.D.	35086
Alum. Hub		43860		BR598/ 592-A VP	BR665/ BR653	Outer	28686
						Inner	43820
4 Cast Whls.		50124		BR780/ BR772	BR776/ BR772	Inner	49966
Disc Whls.		50124		BR687/ BR672 ▲SET499		Inner	49966
5 From 1968	48002	48000		598-A VP/ 592-A VP ▲SET404	HM617049/ HM617010		
Thru 1967	48002	48000		598-A VP/ 592-A VP ▲SET404			
6 Cast Whls.		52658		BR780/ BR772	BR776/ BR772	Outer	31758
						Inner	52488
Disc Whls.		52658		BR687/ BR672 ▲SET499		Outer	31758
						Inner	52488
7	40129	40136 or 40139 ⁵		BR580/ BR572 ▲SET401	BR657/ BR563	Outer - RA47 Axle	21950
						Outer - Except RA47 Axle	31327
8	34384	34387		BR33281/ BR33462	BR3982/ BR3920	Inner	35029
9		42800		BR582/ BR572 ▲SET402	BR42687/ BR42620		
10 Cast Whls. w/5.250" Inner Brg. O.D.	42673	42672		HM516449-C VP/ HM516410 VP ▲SET422	BR47679/ BR47620 ▲SET426	Outer	25713
						Inner	42644
Cast Whls. w/5.750" Inner Brg. O.D.	42673	42672		BR663/ BR653 ▲SET405	BR575/ BR572	Outer	25713
						Inner	42644
Disc Whls. w/5.250" Inner Brg. O.D.		50124		HM516449-C VP/ HM516410 VP ▲SET422	BR47679/ BR47620 ▲SET426	Outer	25713
						Inner	49966
Disc Whls. w/5.750" Inner Brg. O.D.		50124		BR663/ BR652	BR575/ BR572	Outer	25713
						Inner	49966

For in-text symbols, see page 5A.

Mfr Line Number	Scotseal® PlusXL	Scotseal® Classic	Scotseal® Longlife	Inner (Cone/Cup)	Outer (Cone/Cup)	Grease Seal Location	Number
Mack (continued)							
11 4.766" Shaft	47692 (Reorder: 47691)	47697 or 47698 ⁵	47693	598-A VP/ 592-A VP ▲SET404	BR580/ BR572 ▲SET401	Inner Seal Kit	1255
4.842" Shaft				598-A VP/ 592-A VP ▲SET404	BR580/ BR572 ▲SET401	Outer Seal Kit 8 Bolt Holes	31378 31378 54930
12	47692 (Reorder: 47691)	47697 or 47698 ⁵	47693		BR580/ BR572 ▲SET401	Inner Seal Kit	1255
.....						Outer	31378
13				BR663/ BR652	748-S/ BR742	Outer	31353
.....						Inner	40158
14	45157	45160		BR759/ BR752		Outer	27368
.....						Inner	45150
15				BR759/ BR752		Inner	21840
16	45093	45099		BR582/ BR572 ▲SET402	BR567/ BR563 ▲SET425		
17	40129	40136 or 40139 ⁵		BR580/ BR572 ▲SET401	BR567/ BR563 ▲SET425		
18	45093	45099		BR580/ BR572 ▲SET401	BR567/ BR563 ▲SET425		
19 Cast Whls.		52658		BR780/ BR772	BR776/ BR772		
Steel Whls.	42673	42672		BR663/ BR652	BR575/ BR572		
20	42673	42672		HM516449-A VP/ HM516410 VP ▲SET421	BR47679/ BR47620 ▲SET426		
21 w/Cast Whls.		52658		BR780/ BR772 BR687/ BR672 ▲SET499	BR776/ BR772		
Exc. Cast Whls.		52658					
22	45093	45099		BR580/ BR572 ▲SET401	BR567/ BR563 ▲SET425	Inner	45070

APPLICATIONS

TRAILER, TAG & PUSHER AXLES

FRONT AXLES

DRIVE AXLES

MEDIUM TRUCK

Mfr Line Number	Scotseal® PlusXL	Scotseal® Classic	Scotseal® Longlife	Inner (Cone/Cup)	Outer (Cone/Cup)	Grease Seal Location	Number
Mack (continued)							
23						Outer - Exc. B30P, B30T, B30X	31327
24						Outer - B42SX, B42T Outer - A50T, A51H Outer - B50T Inner	25713 28697 35086 43820
25						Outer - Exc. Alum. Hub Outer - Alum. Hub Inner	35012 35086 43820
26						Outer Inner	25713 42644
27						Axle Shaft Inner - 4.500" Shaft Inner - 5.000" Shaft	23755 45150 49966
28						Outer	35012
29				BR594/ 593-X VP	BR594/ 593-X VP		
30	48002	48000		598-A VP/ 592-A VP ▲SET404			
31		43860		BR598/ 592-A VP	BR665/ BR653		
32	45093	45099		BR582/ BR572 ▲SET402	BR567/ BR563 ▲SET425		
33				BR780/ BR772			
34				BR67390/ BR67322			
35				BR582/ BR572 ▲SET402	BR567/ BR563 ▲SET425		

For in-text symbols, see page 5A.

Mack Midliner Axle Model Index

Model	Capacity	See	Line No.	Model	Capacity	See	Line No.
16247	17500 lbs.	Eaton 16247		P1020G			1
17207	18500 lbs.	Eaton 17207		P10211			1
17227	18500 lbs.	Eaton 17227		P1021.5			1
18207	22000 lbs.	Eaton 18207		P1021G1			1
18227	22000 lbs.	Eaton 18227		P112102			1
21127	21000 lbs.	Eaton 21127		P1121.4			1
21227	21000 lbs.	Eaton 21227		P1121G			1
22127	22000 lbs.	Eaton 22127		P1121G1			1
22227	22000 lbs.	Eaton 22227		P1121G2			1
MS200			1	P802.2			1
MS250			1	P820G			1
MS300			1	P820G1			1
P102011			1	P821			1
P1020B			1	P821G			1

Mfr Line Number	Scotseal® PlusXL	Scotseal® Classic	Scotseal® Longlife	Inner (Cone/Cup)	Outer (Cone/Cup)	Grease Seal Location	Grease Seal Number
--------------------	---------------------	----------------------	-----------------------	---------------------	---------------------	-------------------------	-----------------------

Mack Midliner

1				BR594/ 593-X VP	BR594/ 593-X VP		
----------	--	--	--	--------------------	--------------------	--	--

Magirus Axle Model Index

Model	Capacity	See	Line No.	Model	Capacity	See	Line No.
160A11FL			1	200A13FL			2
160A13FL			1	200A13FS			2

Mfr Line Number	Scotseal® PlusXL	Scotseal® Classic	Scotseal® Longlife	Inner (Cone/Cup)	Outer (Cone/Cup)	Grease Seal Location	Grease Seal Number
--------------------	---------------------	----------------------	-----------------------	---------------------	---------------------	-------------------------	-----------------------

Magirus

1						Inner	46144
						Inner	49210
2						Inner	49210
						Inner	49210

MAN Axle Model Index

Model	Capacity	See	Line No.	Model	Capacity	See	Line No.
H07-11120			1				

Mfr Line Number	Scotseal® PlusXL	Scotseal® Classic	Scotseal® Longlife	Inner (Cone/Cup)	Outer (Cone/Cup)	Grease Seal Location	Grease Seal Number
--------------------	---------------------	----------------------	-----------------------	---------------------	---------------------	-------------------------	-----------------------

MAN

1				BR33021	32019 X/Q	Inner	57145
						Outer	57146

Marmon-Herrington Axle Model Index

Model	Capacity	See	Line No.	Model	Capacity	See	Line No.
CM704			1	M5-6			2
CM754			1	M6-6			2
CM756			1	M704			1
CM804			1	M754			1
CM806			1	M756			1
CM904			1	M804			1
DSD600-6			2	M806			1
DSD800-6			2	M904			1
H542-11			2	M906			3

Marmon-Herrington Axle Model Index (continued)

Model	Capacity	See	Line No.	Model	Capacity	See	Line No.
MH555-4			2	TC1700			7
MH555-6			2	TC40			7
MH610-4			1	TC44			7
MH610A-4			1	TC48			7
MH620-6			3	TC49			7
MH625-4			4	TC50			7
MH630-4			5				
R4-4			6				
R5-4			6				
R6-4			6				
T756A			8				

Mfr Line Number	Scotseal® PlusXL	Scotseal® Classic	Scotseal® Longlife	Inner (Cone/Cup)	Outer (Cone/Cup)	Grease Seal Location	Grease Seal Number
-----------------	------------------	-------------------	--------------------	------------------	------------------	----------------------	--------------------

Marmon-Herrington

1						Outer Seal Kit	25160
						Inner	39385
2						Axle Shaft	22492
3		42800					
4						Inner	47394
5						Inner	49928
6						Axle Shaft	17746
7						Inner	24931
8						Inner	38703

Mercedes Benz Axle Model Index

Model	Capacity	See	Line No.	Model	Capacity	See	Line No.
L1013			1	L1317			4
L1113			2	L1319			4
L1116			2	L1418			5
L1117			2	LS1418			6
L1316			3				

Mfr Line Number	Scotseal® PlusXL	Scotseal® Classic	Scotseal® Longlife	Inner (Cone/Cup)	Outer (Cone/Cup)	Grease Seal Location	Grease Seal Number
-----------------	------------------	-------------------	--------------------	------------------	------------------	----------------------	--------------------

Mercedes Benz

1					BR32213		
2					BR32213		
Axle Code Nos. 743.302, 743.333, 743.393 & 743.394					BR32213		
Axle Code Nos. 743.395, 743.396, 743.398					BR32213		
Axle Code Nos. 745.540, 745.541, 745.543 & 745.544					BR32213		
Axle Code Nos. 745.572						Inner	49210
3						Inner	49210
Axle Code No. 745.572						Inner	49210
4.921" Shaft				598-A VP/ 593-X VP			

For in-text symbols, see page 5A.

Mfr Line Number	Scotseal® PlusXL	Scotseal® Classic	Scotseal® Longlife	Inner (Cone/Cup)	Outer (Cone/Cup)	Grease Seal Location	Number
--------------------	---------------------	----------------------	-----------------------	---------------------	---------------------	-------------------------	--------

Mercedes Benz (continued)

4 Axle Code Nos. 745.540, 745.541, 745.543 & 745.544.. Axle Code Nos. 745.572 ...					BR32213	Inner	49210
5 Axle Code No. 745.572 Axle Code Nos. 745.006, 745.032 From I.D. No. 464537 Axle Code Nos. 745.006, 745.032 Thru I.D. No. 464536 Axle Code Nos. 745.540, 745.541, 745.543 & 745.544.. Axle Code Nos. 745.550, 745.551, 745.560 & 745.561.. Axle Code Nos. 745.565 ... Model Nos. 345.036, 345.037 345.038, 345.039				598-A VP/ 593-X VP	BR32213	Inner	49210 47230 49210 47230 47230 47230 49210
6				598-A VP/ 593-X VP			

Meritor Axle Model Index

Model	Capacity	See	Line No.	Model	Capacity	See	Line No.
1337			54	51525H			55
1347			54	51540N			55
1357			54	52160	46000 lbs.		51
16140	16000 lbs.		76	52-160	46000 lbs.		87
16-140	16000 lbs.		113	52160P	52000 lbs.		51
16141	16000 lbs.		77	52-160P	52000 lbs.		87
16-141	16000 lbs.		108	53300	9500 lbs.		85
17145	17000 lbs.		77	53301	9500 lbs.		85
17-145	17000 lbs.		10	53308			85
1737			54	53308H			5
1757			54	53411			85
1758			54	53411H			5
19145	19000 lbs.		51	53440	9500 lbs.		5
19-145	19000 lbs.		87	53511			85
20140	20000 lbs.		51	53512			85
20-140	20000 lbs.		87	53512H			43
20145	20000 lbs.		51	53521			5
20-145	20000 lbs.		87	53526			5
21230	21000 lbs.		51	53543	9500 lbs.		5
21-230	21000 lbs.		87	53547			5
23161	23000 lbs.		51	53554	9500 lbs.		85
23-161	23000 lbs.		87	53560			85
23380	23000 lbs.		51	53560H	9500 lbs.		5
23-380	23000 lbs.		87	53565			5
26180	26000 lbs.		51	53566			5
26-180	26000 lbs.		87	53567			85
30-180	30000 lbs.		92	53567H			43
30-380	30000 lbs.		92	53581TW			5
34140	34000 lbs.		79	53586	9500 lbs.		85
34-140	34000 lbs.		108	53586H	9500 lbs.		5
38380	38000 lbs.		52	53587	9500 lbs.		5
38-380	38000 lbs.		96	53588			85
40140	40000 lbs.		12	53588TW	9500 lbs.		5
40-140	40000 lbs.		109	53589			85
51524	5000 lbs.		100	53589W			5
51524N			55	53591			5
51525	5000 lbs.		100	53595	9500 lbs.		5

Meritor Axle Model Index (continued)

Model	Capacity	See	Line No.	Model	Capacity	See	Line No.
53596	9500 lbs.		85	57464W			82
53599			85	57600W			61
53599W	9500 lbs.		5	57602W			61
53619	9500 lbs.		85	57620W			82
53620	9500 lbs.		93	57621W			61
53620H			43	58-180	58000 lbs.		92
53622			43	58180			92
53622H			43	58256W			95
53622N			43	58267			7
53623			43	58267W			95
53624			43	58268			7
53625			43	58269			95
53626			43	58269W			62
53659			93	58283			95
53659N			43	58283W			63
53660			93	58285			63
53660H			43	58285W			63
53661			43	58300			47
53662			43	58301			47
54350	9500 lbs.		85	58304			47
54411			85	58305			47
54411H	9500 lbs.		5	58307			47
54412	9500 lbs.		5	58308			47
54419			5	58351W			56
54430			85	58352			56
54430TW	9500 lbs.		5	58-380	58000 lbs.		92
54623	9500 lbs.		80	58380			92
55411			14	58415			63
55417			80	58416			63
55417H			14	58433			64
55600W			58	58434			64
56219N			59	58435			64
56334			3	58450			60
56400			44	58450W			103
56401			45	58455			57
56410			45	58458			57
56411			45	58459			57
56412			44	58460W			65
56413			44	58461W			65
56427			44	58464W			65
56429			91	58470W			65
56429P			45	58471W			65
56430			45	58473W			65
56431			94	58475W			65
56431P			44	58490W			65
56432			45	58600W			65
56433			94	58620W			65
56433P			44	58700			103
56450			44	58720			103
56451			44	58720W			41
56460			44	58822W			65
56461			44	58823W			65
56462			45	58863W			66
56463			45	58873W			66
56466			45	59026W			67
56467			45	59035W			68
56468			45	59038			9
56615			81	59038W			9
57450			60	59039W			41
57450W			103	59044W			66
57452			60	59070W			69
57452W			103	59071W			69
57453			57	59116W			40
57453W			114	59145W			40
57454			61	59146W			40
57454W			101	59600W			41
57455			61	59610W			70
57455W			102	59620W			70
57460			61	59621W			70
57460W			101	59690			103
57461			61	59690W			41
57461W			102	59722W			70

For in-text symbols, see page 5A.

Meritor Axle Model Index (continued)

Model	Capacity	See	Line No.	Model	Capacity	See	Line No.
59723W			70	79747P			10
65264			47	79750			98
65265			47	79750P			10
65350			7	93426N			5
65351			7	93440			5
65356			7	93548			99
65357			7	93548N			5
65450			7	93558N			5
65451			7	93558N			5
65456			86	94427H			5
65456P			7	94427H			5
65457			86	94440			5
65457P			7	94441H			5
65743			42	94610			81
66714			9	95700			14
66714W			90	96411			81
66715			9	96710			45
66743			9	96711			45
66766			9	98415			63
66767			9	B100	7200 lbs.		2
66782			9	B1055			3
66783			9	B140	7200 lbs.		2
70-380	70000 lbs.		96	B155			4
72301			47	B760			5
72303			47	BH150			1
74881			47	Bus Tag			105
74882			47	C100	11000 lbs.		5
75350			7	D100	13000 lbs.		5
75351			7	D140	13000 lbs.		5
75356			7	D3020	13000 lbs.		7
75357			7	D3025	13000 lbs.		7
7573			67	D436	13000 lbs.		9
7574			67	D450	13000 lbs.		8
75743			42	D451	13000 lbs.		8
75746			97	D460	13000 lbs.		8
75746W			42	D4600	13000 lbs.		8
7575			67	D461	13000 lbs.		8
7576			67	D462	13000 lbs.		9
75764			97	D4640	13000 lbs.		8
75764W			42	D472	13000 lbs.		10
75768			97	D473	13000 lbs.		10
75768W			42	DBB1300			106
75769			97	DD3025			7
75769W			42	DD4600			8
7578			67	DD4640			8
75780			97	DH			6
75780W			42	DHD			6
7579			67	E100	13000 lbs.		5
7581			67	E100DH	13000 lbs.		85
7582			67	E100DPH	13000 lbs.		85
76410			45	E100H	13000 lbs.		85
76414			90	E102	13000 lbs.		5
76714			9	E105	13000 lbs.		5
76715			9	E150	13000 lbs.		5
76743			9	E155	13000 lbs.		85
76744			9	E200	13000 lbs.		5
76745			9	E300	13000 lbs.		5
76746			9	E301	13500 lbs.		14
76779			9	E302	13000 lbs.		5
76783			9	E302N	13000 lbs.		85
76784			9	E350	13500 lbs.		15
76785			9	E370	13000 lbs.		15
76788			9	ELDD	51000 lbs.		11
76789			9	ELHD	51000 lbs.		11
76790			9	EQDD	57000 lbs.		12
76810			9	EQHD	57000 lbs.		12
76811			9	ERDD	66000 lbs.		12
76820			9	ERLD	51000 lbs.		13
79744			98	ERLDD	51000 lbs.		88
79744P			10	ERLHD	51000 lbs.		13
79746			10	ERQDD	51000 lbs.		12
79747			98	ERQHD	60000 lbs.		12

**A
P
P
L
I
C
A
T
I
O
N
S**

**T
R
A
I
L
E
R
,
T
A
G
&
P
U
S
H
E
R
A
X
L
E
S**

**F
R
O
N
T
A
X
L
E
S**

**D
R
I
V
E
A
X
L
E
S**

**M
E
D
I
U
M
T
R
U
C
K**

Meritor Axle Model Index (continued)

Model	Capacity	See	Line No.	Model	Capacity	See	Line No.
59723W			70	79747P			10
65264			47	79750			98
65265			47	79750P			10
65350			7	93426N			5
65351			7	93440			5
65356			7	93548			99
65357			7	93548N			5
65450			7	93558N			5
65451			7	93558N			5
65456			86	94427H			5
65456P			7	94427H			5
65457			86	94440			5
65457P			7	94441H			5
65743			42	94610			81
66714			9	95700			14
66714W			90	96411			81
66715			9	96710			45
66743			9	96711			45
66766			9	98415			63
66767			9	B100	7200 lbs.		2
66782			9	B1055			3
66783			9	B140	7200 lbs.		2
70-380	70000 lbs.		96	B155			4
72301			47	B760			5
72303			47	BH150			1
74881			47	Bus Tag			105
74882			47	C100	11000 lbs.		5
75350			7	D100	13000 lbs.		5
75351			7	D140	13000 lbs.		5
75356			7	D3020	13000 lbs.		7
75357			7	D3025	13000 lbs.		7
7573			67	D436	13000 lbs.		9
7574			67	D450	13000 lbs.		8
75743			42	D451	13000 lbs.		8
75746			97	D460	13000 lbs.		8
75746W			42	D4600	13000 lbs.		8
7575			67	D461	13000 lbs.		8
7576			67	D462	13000 lbs.		9
75764			97	D4640	13000 lbs.		8
75764W			42	D472	13000 lbs.		10
75768			97	D473	13000 lbs.		10
75768W			42	DBB1300			106
75769			97	DD3025			7
75769W			42	DD4600			8
7578			67	DD4640			8
75780			97	DH			6
75780W			42	DHD			6
7579			67	E100	13000 lbs.		5
7581			67	E100DH	13000 lbs.		85
7582			67	E100DPH	13000 lbs.		85
76410			45	E100H	13000 lbs.		85
76414			90	E102	13000 lbs.		5
76714			9	E105	13000 lbs.		5
76715			9	E150	13000 lbs.		5
76743			9	E155	13000 lbs.		85
76744			9	E200	13000 lbs.		5
76745			9	E300	13000 lbs.		5
76746			9	E301	13500 lbs.		14
76779			9	E302	13000 lbs.		5
76783			9	E302N	13000 lbs.		85
76784			9	E350	13500 lbs.		15
76785			9	E370	13000 lbs.		15
76788			9	ELDD	51000 lbs.		11
76789			9	ELHD	51000 lbs.		11
76790			9	EQDD	57000 lbs.		12
76810			9	EQHD	57000 lbs.		12
76811			9	ERDD	66000 lbs.		12
76820			9	ERLD	51000 lbs.		13
79744			98	ERLDD	51000 lbs.		88
79744P			10	ERLHD	51000 lbs.		13
79746			10	ERQDD	51000 lbs.		12
79747			98	ERQHD	60000 lbs.		12

For in-text symbols, see page 5A.

Meritor Axle Model Index (continued)

Model	Capacity	See	Line No.	Model	Capacity	See	Line No.
PR204			25	QT330			32
PR205			25	QT340	22000 lbs.		32
PR206			25	QT341			12
PR207			25	QT342			12
PR50H	5000 lbs.		26	QT342A	22000 lbs.		12
PR50N	5000 lbs.		26	QT342P			109
PR75N			27	QT345	22000 lbs.		32
PR80H			28	QT346			12
PRM150P			22	QT350	22000 lbs.		32
PS150			25	QT360			84
PS151			25	QT365	22000 lbs.		32
PS152			25	QT367			12
PS200			25	QT540			12
PS201			25	QW			32
PS202			25	QWF			31
PS203			25	QWR			31
PS250			30	R100	23000 lbs.		32
PS251			30	R100A	23000 lbs.		32
PS252			30	R101	23000 lbs.		32
PS50H			26	R101A	23000 lbs.		32
PSM201			29	R110			33
PSM250			29	R110A	23000 lbs.		75
Q100	22000 lbs.		32	R112			39
Q100A	22000 lbs.		71	R113			40
Q101	22000 lbs.		35	R114			40
Q110			33	R115			40
Q111			36	R120			33
Q130			32	R130			84
Q143	22000 lbs.		75	R140	17000 lbs.		32
Q145	22000 lbs.		32	R141	34000 lbs.		32
Q148			33	R141	23000 lbs.		73
Q150			84	R141P	23000 lbs.		73
Q155			84	R143			33
Q200	22000 lbs.		32	R143P	23000 lbs.		75
Q200A	22000 lbs.		32	R143W	23000 lbs.		75
Q201	22000 lbs.		35	R153			84
Q230			32	R155			32
Q240	22000 lbs.		32	R158			33
Q245	22000 lbs.		32	R160	23000 lbs.		32
Q246	22000 lbs.		32	R160P	23000 lbs.		71
Q246P	22000 lbs.		71	R162			33
Q265			12	R163			33
Q300	22000 lbs.		32	R164	23000 lbs.		41
Q301	22000 lbs.		35	R170	23000 lbs.		32
Q345	22000 lbs.		32	R171	23000 lbs.		32
Q346	22000 lbs.		32	R172	23000 lbs.		32
Q346P	22000 lbs.		71	R173			33
Q370			32	R200	23000 lbs.		32
Q380	22000 lbs.		32	R200A			75
Q390	22000 lbs.		32	R201	23000 lbs.		32
QD			31	R202	23000 lbs.		32
QDA			31	R202P	23000 lbs.		75
QDD			31	R210			33
QDF			32	R220	23000 lbs.		32
QDR			32	R221	23000 lbs.		32
QH			32	R223	23000 lbs.		32
QHB			32	R230	23000 lbs.		32
QHD			32	R235			32
QHDA	38000 lbs.		32	R241			37
QHF			32	R243			37
QHP			32	R255	23000 lbs.		32
QHR			32	R270			84
QT140	22000 lbs.		32	R300	23000 lbs.		32
QT143			33	R300A	23000 lbs.		32
QT143P	22000 lbs.		75	R300B	23000 lbs.		32
QT145	22000 lbs.		32	R301	23000 lbs.		32
QT200			12	R301A	23000 lbs.		12
QT201			35	R301B	23000 lbs.		12
QT230			34	R301C	23000 lbs.		12
QT240	22000 lbs.		32	R302	23000 lbs.		32
QT300	22000 lbs.		32	R302P	23000 lbs.		12
QT301	21000 lbs.		35	R310			33

Meritor Axle Model Index (continued)

Model	Capacity	See	Line No.	Model	Capacity	See	Line No.
R3100W			42	RS23185	23000 lbs.		109
R3102W			42	RS23186	23000 lbs.		109
R320	23000 lbs.		32	RS23240	23000 lbs.		32
R320P	23000 lbs.		12	RS23380	23000 lbs.		109
R321	23000 lbs.		32	RS24160	24000 lbs.		115
R330	23000 lbs.		32	RS24161	24000 lbs.		115
R335P			12	RS25160	25000 lbs.		115
R355			71	RS25161	25000 lbs.		115
R362	23000 lbs.		32	RS26160	26000 lbs.		115
R380	23000 lbs.		32	RS26161	26000 lbs.		115
R390	23000 lbs.		32	RS26180	26000 lbs.		109
R462			8	RS26185	26000 lbs.		109
R601			40	RS26380	26000 lbs.		109
RA173	23000 lbs.		75	RS30180	30000 lbs.		51
RD			32	RS30180			104
RD17145	17000 lbs.		18	RS30185	30000 lbs.		51
RD17145	17000 lbs.		18	RS30380	30000 lbs.		51
RD20140	20000 lbs.		32	RS38380	38000 lbs.		96
RD20145	20000 lbs.		32	RT140	23000 lbs.		32
RD20160	20000 lbs.		115	RT141			35
RD22145	22000 lbs.		32	RT141P	23000 lbs.		73
RD23160	23000 lbs.		115	RT170			84
RD23164	23000 lbs.		115	RT240	23000 lbs.		32
RD25160	25000 lbs.		115	RT240P	23000 lbs.		12
RD26160	26000 lbs.		115	RT241	23000 lbs.		32
RDD			32	RT241P	23000 lbs.		12
RDF			32	RT243			37
RDP			32	RT265	23000 lbs.		32
RHA			32	RT270			84
RHD			32	RT340	23000 lbs.		32
RHDA			32	RT341	23000 lbs.		32
RHR			32	RT34145	34000 lbs.		18
RL170	18000 lbs.		32	RT34145P	34000 lbs.		79
RL172	23000 lbs.		32	RT341P	23000 lbs.		12
RP20145	22000 lbs.		32	RT343			12
RP20160	23000 lbs.		115	RT360			32
RP22145	22000 lbs.		32	RT365	23000 lbs.		32
RP23160	23000 lbs.		115	RT40145	40000 lbs.		12
RP23164	23000 lbs.		115	RT40145P	40000 lbs.		12
RP25160	25000 lbs.		115	RT44145	44000 lbs.		51
RP26160	26000 lbs.		115	RT44145P	44000 lbs.		51
RR17145	17000 lbs.		18	RT46146P	46000 lbs.		51
RR20140	20000 lbs.		32	RT46160	46000 lbs.		51
RR20145	20000 lbs.		32	RT46160			110
RR20160	20000 lbs.		11	RT46160A	46000 lbs.		87
RR22145	22000 lbs.		32	RT48180	48000 lbs.		51
RR23160	23000 lbs.		115	RT48180	48000 lbs.		109
RR23164	23000 lbs.		115	RT48185	48000 lbs.		109
RR25160	25000 lbs.		115	RT48380	48000 lbs.		51
RR26160	26000 lbs.		115	RT48380	48000 lbs.		109
RS13120	13000 lbs.		5	RT52160			110
RS15120	15000 lbs.		16	RT52180	52000 lbs.		87
RS15125			83	RT52380	52000 lbs.		51
RS15210	15000 lbs.		16	RT52380	52000 lbs.		10
RS16140	16000 lbs.		18	RT58180	58000 lbs.		51
RS16141	16000 lbs.		18	RT58-180			109
RS17140	17500 lbs.		3	RT58185	58000 lbs.		51
RS17141			108	RT58-380			104
RS17220	17500 lbs.		3	RT70380	70000 lbs.		38
RS19145	19000 lbs.		18	RT70380	70000 lbs.		96
RS20145			109	S170	26000 lbs.		32
RS20230			109	S200			53
RS21145	21000 lbs.		32	S300			53
RS21160	21000 lbs.		115	SBB1300			1
RS21161	21000 lbs.		115	SBB700			43
RS23160	23000 lbs.		32	SBD1055			3
RS23160	23000 lbs.		115	SBD1500			44
RS23160A	23000 lbs.		87	SBD1501			44
RS23160C	23000 lbs.		87	SBD1502			45
RS23161	23000 lbs.		115	SBD1555			11
RS23180	23000 lbs.		32	SBD1555A			88
RS23180	23000 lbs.		109	SD3000			7

For in-text symbols, see page 5A.

Meritor Axle Model Index (continued)

Model	Capacity	See	Line No.	Model	Capacity	See	Line No.
SD3010			7	SSHD	44000 lbs.		32
SD3010P	36000 lbs.		7	SSHD	46000 lbs.		89
SD3011	36000 lbs.		7	STD	50000 lbs.		51
SD3020	36000 lbs.		7	STDA			110
SD3025			7	STDD	50000 lbs.		51
SD353			42	STDDA			12
SD436			9	STHD	50000 lbs.		32
SD454			9	SU170	58000 lbs.		51
SD462			9	SU270	58000 lbs.		51
SD466			9	SU280			51
SD472			10	SUD	55000 lbs.		8
SD473			10	SUDA			8
SDD3000			46	SUDB	55000 lbs.		12
SDD454			9	SUDD	55000 lbs.		8
SDF450			112	SUDDB			92
SDHD			16	SUDR	58000 lbs.		71
SFD	60000 lbs.		8	SUHD	55000 lbs.		51
SFD157			47	SW100P	40000 lbs.		72
SFD3020			7	SW170			52
SFD450			8	SW251			47
SFD451			8	SW270			52
SFD454			8	SW280	70000 lbs.		52
SFD460	36000 lbs.		8	SW3000			7
SFD4600	60000 lbs.		8	SW3002			7
SFD461			8	SW3003			7
SFD4640	60000 lbs.		8	SW3010	36000 lbs.		7
SFD4700			48	SW3010P	36000 lbs.		7
SFD760			5	SW3012	36000 lbs.		7
SFDD	60000 lbs.		8	SW3012P	36000 lbs.		7
SFDD3020	36000 lbs.		7	SW3013			7
SFDD4600	60000 lbs.		8	SW3013A	36000 lbs.		7
SFDD4640	60000 lbs.		8	SW3014	36000 lbs.		7
SFDD4740	60000 lbs.		8	SW3014A	36000 lbs.		7
SFHD	28000 lbs.		1	SW3014P	36000 lbs.		7
SH			32	SW3020	36000 lbs.		7
SHD			32	SW3020P	36000 lbs.		7
SHHD	30000 lbs.		17	SW3022			7
SHP			32	SW3452			9
SHR			32	SW3456			7
SJHD	32000 lbs.		11	SW3456B			7
SL100	34000 lbs.		18	SW3458			7
SL100P	34000 lbs.		18	SW3458A			7
SL340			49	SW452			78
SLD	34000 lbs.		11	SW456	36000 lbs.		8
SLDA			11	SW456A	20000 lbs.		112
SLDD	34000 lbs.		18	SW456P	36000 lbs.		8
SLDDA			18	SW457	50000 lbs.		8
SLHA			18	SW458			8
SLHD	34000 lbs.		18	SW460			8
SLHDA			18	SW462			9
SLHR	34000 lbs.		18	SWD459			111
SQ100	38000 lbs.		32	SWD459P			8
SQ100AL	38000 lbs.		89	T155	26000 lbs.		32
SQ100P	38000 lbs.		32	T175	18500 lbs.		3
SQ100PAL	38000 lbs.		72	TD			51
SQD	38000 lbs.		31	TDD			51
SQDA			31	THD			32
SQDD	38000 lbs.		32	THR			32
SQHD	38000 lbs.		32	TR8670			110
SQHP	38000 lbs.		32	TR8680			110
SQR100	44000 lbs.		51	U140			51
SQR100P	44000 lbs.		51	U170	29000 lbs.		51
SQTT235			12	U170	30000 lbs.		92
SQTT335			12	U180			104
SQW	38000 lbs.		32	U200	24000 lbs.		8
SR170	46000 lbs.		32	U200A	29000 lbs.		8
SR270	46000 lbs.		50	U200B			8
SR280			50	U240	29000 lbs.		51
SRD	44000 lbs.		32	U300	29000 lbs.		8
SRDD	44000 lbs.		32	U300A	29000 lbs.		8
SRDR	44000 lbs.		71	U300B	29000 lbs.		8
SRHD	44000 lbs.		32	U340	29000 lbs.		51

APPLICATIONS

TRAILER, TAG & PUSHER AXLES

FRONT AXLES

DRIVE AXLES

MEDIUM TRUCK

Meritor Axle Model Index (continued)

Model	Capacity	See	Line No.	Model	Capacity	See	Line No.
UD			8	W3013			7
UDA			8	W3014			7
UDD			8	W3020			7
UDR			8	W3022			7
UH			51	W3456			7
UHD			51	W3458			7
UHR			51	W456			8
W170	38000 lbs.		52	W457			8
W200			51	W458			8
W270	38000 lbs.		52	W459			8
W3003			7	W460	36000 lbs.		8

Mfr Line Number	Scotseal® PlusXL	Scotseal® Classic	Scotseal® Longlife	Inner (Cone/Cup)	Outer (Cone/Cup)	Grease Seal Location	Number
--------------------	---------------------	----------------------	-----------------------	---------------------	---------------------	-------------------------	--------

Meritor

1							
Standard Axle		39380		495-AX VP/ BR493	BR39590/ BR39520 ▲ SET408	Outer Seal Kit Inner	25160 39385
Dodge - 3.938" Shaft		39380		495-AX VP/ BR493	BR3984/ BR3920	Outer Seal Kit Inner	25160 39385
Dodge - 4.266" Shaft		42800		495-AX VP/ BR493	BR3984/ BR3920	Inner	39385
GMC - 3.875" Shaft		38750		495-AX VP/ BR493	BR39590/ BR39520 ▲ SET408	Inner Seal Kit	1224
GMC - 3.938" Shaft		39420		495-AX VP/ BR493	BR39590/ BR39520 ▲ SET408	Inner - Seal Kit Inner - Seal w/o Sleeve	1322 39423
2							
Standard Axle				387-A VP/ 382-A VP	368-A VP/ 362-A VP	Inner	27470
3							
Standard Axle		39380		495-AX VP/ BR493	BR3984/ BR3920	Outer Seal Kit Inner	25160 39385
Dodge - 3.875" Shaft		38709		BR42688/ BR42620	BR39590/ BR39520 ▲ SET408	Outer Seal Kit Inner	31361 38703
Dodge - 3.938" Shaft		39380		495-AX VP/ BR493	BR3984/ BR3920	Outer Seal Kit Inner	25160 39385
Ford - 3.875" Shaft	38776	38780		BR47686/ BR47620 ▲ SET411	BR39590/ BR39520 ▲ SET408	Inner - Seal Kit Inner - Seal w/o Sleeve	1333 38777
Ford - 3.938" Shaft		39420		495-AX VP/ BR493	BR39590/ BR39520 ▲ SET408	Inner - Seal Kit Inner - Seal w/o Sleeve	1322 39423
GMC - 3.875" Shaft		38750		495-AX VP/ BR493	BR39590/ BR39520 ▲ SET408	Inner Seal Kit	1224
GMC - 3.938" Shaft		39420		495-AX VP/ BR493	BR39590/ BR39520 ▲ SET408	Inner - Seal w/o Sleeve	39423
Navistar - 3.875" Shaft	38776	38780		BR47686/ BR47620 ▲ SET411	BR39590/ BR39520 ▲ SET408	Inner - .500" Width Inner - .750" Width	38774 38777
Navistar - 3.938" Shaft		39380		495-AX VP/ BR493	BR3984/ BR3920	Outer Seal Kit Inner - Seal w/o Sleeve	25160 39385
White		39380		495-AX VP/ BR493	BR3984/ BR3920	Outer Seal Kit Inner	25160 39385

For in-text symbols, see page 5A.

Mfr Line Number	Scotseal® PlusXL	Scotseal® Classic	Scotseal® Longlife	Inner (Cone/Cup)	Outer (Cone/Cup)	Grease Seal Location	Number
Meritor (continued)							
4		31323		BR582/ BR572 ▲SET402	BR462/ 453-X VP		
5 Standard Axle		31323		BR3984/ BR3920		Inner	31299
Ford		31323		BR3984/ BR3920	BR462/ 453-X VP		
Navistar		31323		BR3984/ BR3920	BR462/ 453-X VP		
White		31323		BR3984/ BR3920	BR462/ 453-X VP	Inner - Seal Kit	1333
						Inner - Seal w/o Sleeve	31299
6	34384	34387		BR33281/ BR33462	BR3982/ BR3920	Outer Seal Kit	23870
						Inner	34383
7 Standard Axle	40129	40136 or 40139 ⁵		BR575/ BR572	BR575/ BR572	Axle Shaft	22492
GMC	40129	40136 or 40139 ⁵		BR575/ BR572	BR575/ BR572	Axle Shaft	22492
White - 4.000" Shaft	40129	40136 or 40139 ⁵		BR575/ BR572	BR575/ BR572	Axle Shaft	22492
White - 4.266" Shaft		42800		BR582/ BR572 ▲SET402	BR42687/ BR42620		
8 Standard Axle - 4.824" Axle..				BR760/ BR572	BR749/ BR742	Inner Seal Kit	54935
Standard Axle - 4.875" Shaft..		48884 * w/455019		BR760/ BR752	BR749/ BR742		
Ford		48884 * w/455019		BR760/ BR752	BR749/ BR742		
GMC - Cast Whls.		48884 * w/455019		BR760/ BR752	BR749/ BR742	Inner	50148
GMC - Disc Whls.				BR760/ BR752	BR749/ BR742	Inner Seal Kit	54935
Navistar		48884 * w/455019		BR760/ BR752	BR749/ BR742	Inner Seal Kit	54935
White - 3.938" Shaft		39380		495-AX VP/ BR493	BR749/ BR742	Inner	39385
White - 4.766" Shaft		47699		681-A VP/ BR672	BR580/ BR572 ▲SET401	Inner Seal Kit	1256
White - 4.875" Shaft		48884 * w/455019		BR760/ BR752	BR749/ BR742	Inner Seal Kit	54935
9 Standard Axle				BR759/ BR752	BR749/ BR742	Inner - 2.313"	
White				BR759/ BR752	BR749/ BR742	Shaft	23152
						Inner - 2.375"	
						Shaft	23708
10					BR780/ BR772	Inner - 6.375"	
						Shaft	63733

APPLICATIONS

TRAILER, TAG & PUSHER AXLES

FRONT AXLES

DRIVE AXLES

MEDIUM TRUCK

Mfr Line Number	Scotseal® PlusXL	Scotseal® Classic	Scotseal® Longlife	Inner (Cone/Cup)	Outer (Cone/Cup)	Grease Seal Location	Number
Meritor (continued)							
11 Standard Axle		42800		BR582/ BR572 ▲SET402	BR42687/ BR42620		
Dodge - From Ser. 1492000..	38776	38780		BR47686/ BR47620 ▲SET411	BR39585/ BR39520	Inner	38777
Dodge - Thru Ser. 1491999..		42800		BR582/ BR572 ▲SET402	BR42687/ BR42620		
Navistar	38776	38780		BR47686/ BR47620 ▲SET411	BR39590/ BR39520 ▲SET408	Inner - .500" Width	38774
White		42800		BR582/ BR572 ▲SET402	BR42687/ BR42620	Inner - .750" Width	38777
12 Standard Axle	◇ 47692 (Reorder: 47691)	47697 or 47698 ⁵	47693	598-A VP/ 592-A VP ▲SET404	BR580/ BR572 ▲SET401	Inner Seal Kit	1255
Brockway		47699		681-A VP/ BR672	BR580/ BR572 ▲SET401	Outer Seal Kit	31378
13 Center & Rear Units		42800		BR582/ BR572 ▲SET402	BR42687/ BR42620		
Front Unit	◇ 47692 (Reorder: 47691)	47697 or 47698 ⁵	47693	598-A VP/ 592-A VP ▲SET404	BR580/ BR572 ▲SET401	Inner Seal Kit	1255
						Outer Seal Kit 8 Bolt Holes	31378
14 Standard Axle	34384	34387		BR33281/ BR33462	BR3982/ BR3920		
GMC - 4.125" Outer Cup O.D.				BR33281/ BR33462	BR45290/ BR45220	Inner	35012
GMC - 4.330" Outer Cup O.D.	34384	34387		BR33281/ BR33462	BR3982/ BR3920	Inner	35012
15 GMC				B12235-YK	KA11950-Z	Inner - Seal Kit	162
						Inner - Seal Only	36314
16 Standard Axle	34384	34387		BR33287/ BR33462	BR3982/ BR3920	Inner - Seal Kit	1332
						Outer Seal Kit	23870
						Inner - Seal w/o Sleeve	34383
Dodge - 2.813" Inner Cone I.D.	34384	34387		BR33281/ BR33462	BR3982/ BR3920	Inner	33807
Dodge - 2.875" Inner Cone I.D.	34384	34387		BR33287/ BR33462	BR3982/ BR3920	Inner	33807
Ford	34384	34387		BR33287/ BR33462	BR3982/ BR3920	Inner Seal Kit	1332
GMC	34384	34387		BR33287/ BR33462	BR3982/ BR3920		
White	34384	34387		BR33287/ BR33462	BR3982/ BR3920		

For in-text symbols, see page 5A.

Mfr Line Number	Scotseal® PlusXL	Scotseal® Classic	Scotseal® Longlife	Inner (Cone/Cup)	Outer (Cone/Cup)	Grease Seal Location	Number
--------------------	---------------------	----------------------	-----------------------	---------------------	---------------------	-------------------------	--------

Meritor (continued)

17							
Standard Axle		39380		495-AX VP/ BR493	BR3984/ BR3920	Outer Seal Kit	25160
Dodge		38709		BR42688/ BR47620	BR39590/ BR39520	Inner	39385
					▲ SET408	Outer Seal Kit	31361
Ford - From Ser. F90001 ..		39425		495-AX VP/ BR493	BR39590/ BR39520	Inner	38703
					▲ SET408	Inner - Seal Kit	1322
Ford - Thru Ser. F90000 ...		39380		495-AX VP/ BR493	BR39590/ BR39520	Outer Seal Kit	25160
					▲ SET408	Inner - Seal w/o	
GMC - 3.875" Shaft		38750		495-AX VP/ BR493	BR39590/ BR39520	Sleeve	39423
					▲ SET408	Inner Seal Kit	1321
GMC - 3.938" Shaft		39420		495-AX VP/ BR493	BR39590/ BR39520	Outer Seal Kit	25160
					▲ SET408	Inner Seal Kit	1224
Navistar	38776	38780		BR47686/ BR47620	BR39590/ BR39520	Inner - Seal Kit	1322
				▲ SET411	▲ SET408	Inner - Seal w/o	
White		39380		495-AX VP/ BR493	BR3984/ BR3920	Sleeve	39423
						Inner - .500"	
						Width	38774
						Inner - .750"	
						Width	38777
						Outer Seal Kit	25160
						Inner	39385
18							
Standard Axle - 3.875" Shaft..	38776	38780		BR47686/ BR47620	BR39590/ BR39520	Outer Seal Kit	1240
				▲ SET411	▲ SET408	Inner	38777
Standard Axle - 3.875" Shaft & 5.500" Inner Cup O.D. ...	38776	38780		BR582/ BR572	BR42687/ BR42620	Outer Seal Kit	1240
				▲ SET402		Inner	38777
Standard Axle - 4.266" Shaft..		42800		BR582/ BR572	BR42687/ BR42620		
				▲ SET402			
Dodge - From Ser. 1492000..	38776	38780		BR47686/ BR47620	BR39590/ BR39520	Inner	38777
				▲ SET411	▲ SET408		
Dodge - Thru Ser. 1491999..		42800		BR582/ BR572	BR42687/ BR42620		
				▲ SET402			
Ford - 3.875" Shaft	38776	38780		BR47686/ BR47620	BR39590/ BR39520	Inner - Seal Kit	1333
				▲ SET411	▲ SET408	Inner - Seal w/o	
Ford - 4.375" Shaft		43860		598-A VP/ 592-A VP	BR575/ BR572	Sleeve	38777
				▲ SET404		Inner	43820
Ford - 4.500" Shaft	45157	45160		594-A VP/ 592-A VP	BR580/ BR572	Inner	45150
				▲ SET403	▲ SET401		
Ford - 4.766" Shaft	47692 (Reorder: 47691)	47697 or 47698 ⁵	47693	594-A VP/ 592-A VP	BR580/ BR572	Inner - Seal w/Sleeve	49050
				▲ SET403	▲ SET401		
GMC - 5.506" Seal O.D. ...		38750		BR47686/ BR47620	BR39590/ BR39520		
				▲ SET411	▲ SET408		

**A
P
P
L
I
C
A
T
I
O
N
S**

**T
R
A
I
L
E
R
,
T
A
G
&
P
U
S
H
E
R
A
X
L
E
S**

**F
R
O
N
T
A
X
L
E
S**

**D
R
I
V
E
A
X
L
E
S**

**M
E
D
I
U
M
T
R
U
C
K**

Mfr Line Number	Scotseal® PlusXL	Scotseal® Classic	Scotseal® Longlife	Inner (Cone/Cup)	Outer (Cone/Cup)	Grease Seal Location	Number
Meritor (continued)							
GMC - 5.696" Seal O.D. ...	38776	38780		BR47686/ BR47620 ▲SET411	BR39590/ BR39520 ▲SET408	Inner Seal Kit	1224
Navistar - 3.875" Shaft	38776	38780		BR47686/ BR47620 ▲SET411	BR39590/ BR39520 ▲SET408	Inner	38774
Navistar - 4.266" Shaft		42800		BR582/ BR572 ▲SET402	BR42687/ BR42620		
White		42800		BR582/ BR572 ▲SET402	BR42687/ BR42620		
19 Standard Axle	38776	38780		BR47686/ BR47620 ▲SET411	BR39585/ BR39520	Inner - Seal Kit	1333
GMC		38750		BR47686/ BR47620 ▲SET411	BR39590/ BR39520 ▲SET408	Inner - Seal w/o Sleeve	38777
Navistar	38776	38780		BR47686/ BR47620 ▲SET411	BR39590/ BR39520 ▲SET408	Inner Seal Kit	1224
						Inner - .500" Width	38774
						Inner - .750" Width	38777
20 Standard Axle		42800			BR42687/ BR42620		
Dodge - From Ser. 1492000..	38776	38780		BR47686/ BR47620 ▲SET411	BR39585/ BR39520	Inner	38777
Dodge - Thru Ser. 1491999..		42800		BR582/ BR572 ▲SET402	BR42687/ BR42620		
Navistar	38776	38780		BR47686/ BR47620 ▲SET411	BR39590/ BR39520 ▲SET408	Inner - .500" Width	38774
						Inner - .750" Width	38777
21 Standard Axle		39380		495-AX VP/ BR493	BR3984/ BR3920	Outer Seal Kit	25160
Dodge	38776	38780		BR47686/ BR47620 ▲SET411	BR39590/ BR39520 ▲SET408	Inner	39385
GMC		38750		BR47686/ BR47620 ▲SET411	BR39590/ BR39520 ▲SET408	Inner Seal Kit	1224
22	46300	46305	46308	BR52400/ BR52618	BR68462/ BR68712		
23		39380		BR497/ BR493		Inner	39245
24				BR52400/ BR52618	BR68462/ BR68712	Inner - 5.756" Seal O.D.	46200
						Inner - 6.190" Seal O.D.	46309

Mfr Line Number	Scotseal® PlusXL	Scotseal® Classic	Scotseal® Longlife	Inner (Cone/Cup)	Outer (Cone/Cup)	Grease Seal Location	Number
Meritor (continued)							
25 .14" Cone Front Face Radius.				BR52400/ BR52618	BR68462/ BR68712	Inner - 4.625" Shaft	46200
.31" Cone Front Face Radius.				BR52401/ BR52618	BR68462/ BR68712	Inner - 7.000" Shaft	70028
						Inner - 4.625" Shaft	46200
						Inner - 7.000" Shaft	70028
26					BR34300/ BR34478		
27				BR52400/ BR52618		Inner	49998
28					JM822049/ JM822010	Inner	49998
29				BR52401/ BR52618	BR68462/ BR68712		
30					BR68462/ BR68712	Outer	29393
						Inner	72515
31 Standard Axle - Exc. Alum. Hub	◇ 47692 (Reorder:) 47691	47697 or 47698 ⁵	47693	598-A VP/ 592-A VP ▲SET404	BR580/ BR572 ▲SET401	Inner Seal Kit	1255
Standard Axle - Alum. Hub .	◇ 47692 (Reorder:) 47691	47697 or 47698 ⁵	47693	598-A VP/ 592-A VP ▲SET404	BR580/ BR572 ▲SET401	Outer Seal Kit	31378
Navistar	◇ 47692 (Reorder:) 47691	47697 or 47698 ⁵	47693	598-A VP/ 592-A VP ▲SET404	BR580/ BR572 ▲SET401	Inner Seal Kit	1255
White	◇ 47692 (Reorder:) 47691	47697 or 47698 ⁵	47693	594-A VP/ 592-A VP ▲SET403	BR580/ BR572 ▲SET401	Inner Seal Kit	1255
						Outer Seal Kit	31378
32 Standard Axle - 4.766" Shaft..	◇ 47692 (Reorder:) 47691	47697 or 47698 ⁵	47693	598-A VP/ 592-A VP ▲SET404	BR580/ BR572 ▲SET401	Inner Seal Kit	1255
Standard Axle - 4.824" Shaft..				598-A VP/ 592-A VP ▲SET404	BR580/ BR572 ▲SET401	Outer Seal Kit	31378
Dodge - 4.766" Shaft	◇ 47692 (Reorder:) 47691	47697 or 47698 ⁵	47693	598-A VP/ 592-A VP ▲SET404	BR580/ BR572 ▲SET401	Inner Seal Kit	1255
Dodge - 4.824" Shaft				598-A VP/ 592-A VP ▲SET404	BR580/ BR572 ▲SET401	Outer Seal Kit	31378
Ford - 4.375" Shaft		43860		598-A VP/ 592-A VP ▲SET404	BR580/ BR572 ▲SET401	Inner Seal Kit	54930
Ford - 4.500" Shaft	45157	45160		594-A VP/ 592-A VP ▲SET403	BR575/ BR572 ▲SET401	Inner	43820
					BR580/ BR572 ▲SET401	Inner	45150

Mfr Line Number	Scotseal® PlusXL	Scotseal® Classic	Scotseal® Longlife	Inner (Cone/Cup)	Outer (Cone/Cup)	Grease Seal Location	Number
Meritor (continued)							
Ford - 4.766" Shaft w/3.625" Inner Cone I.D.	◇ 47692 (Reorder:) 47691	47697 or 47698 ⁵	47693	598-A VP/ 592-A VP ▲SET404	BR580/ BR572 ▲SET401	Inner - Seal w/Sleeve	49050
Ford - 4.766" Shaft w/3.750" Inner Cone I.D.	◇ 47692 (Reorder:) 47691	47697 or 47698 ⁵	47693	594-A VP/ 592-A VP ▲SET403	BR580/ BR572 ▲SET401	Inner - Seal w/Sleeve	49050
GMC - 6.006" Seal O.D. ...		47690		598-A VP/ 592-A VP ▲SET404	BR580/ BR572 ▲SET401		
GMC - 6.006" Seal O.D. w/3.750" Inner Cone I.D. ...		47690		594-A VP/ 592-A VP ▲SET403	BR580/ BR572 ▲SET401		
GMC - 6.259" Seal O.D. w/3.625" Inner Cone I.D. ...	48002	48000		598-A VP/ 592-A VP ▲SET404	BR580/ BR572 ▲SET401	Outer Seal Kit	31378
GMC - 6.259" Seal O.D. w/3.750" Inner Cone I.D. ...	48002	48000		594-A VP/ 592-A VP ▲SET403	BR580/ BR572 ▲SET401	Outer Seal Kit	31378
GMC - 6.316" Seal O.D. w/3.625" Inner Cone I.D. ...	◇ 47692 (Reorder:) 47691	47697 or 47698 ⁵	47693	598-A VP/ 592-A VP ▲SET404	BR580/ BR572 ▲SET401	Inner Seal Kit	1255
						Outer Seal Kit	31378
GMC - 6.316" Seal O.D. w/3.750" Inner Cone I.D. ...	◇ 47692 (Reorder:) 47691	47697 or 47698 ⁵	47693	594-A VP/ 592-A VP ▲SET403	BR580/ BR572 ▲SET401	Inner Seal Kit	1255
						Outer Seal Kit	31378
Navistar - 4.266" Shaft		42800		BR582/ BR572 ▲SET402	BR42687/ BR42620		
Navistar - 4.375" Shaft		43860		598-A VP/ 592-A VP ▲SET404	BR575/ BR572	Inner	43820
Navistar - 4.500" Shaft	45157	45160		594-A VP/ 592-A VP ▲SET403	BR580/ BR572 ▲SET401	Inner	45150
Navistar - 4.766" Shaft w/3.625" Inner Cone I.D. ...	◇ 47692 (Reorder:) 47691	47697 or 47698 ⁵	47693	598-A VP/ 592-A VP ▲SET404	BR580/ BR572 ▲SET401	Inner Seal Kit	1255
						Outer Seal Kit	31378
Navistar - 4.766" Shaft w/3.750" Inner Cone I.D. ...	◇ 47692 (Reorder:) 47691	47697 or 47698 ⁵	47693	594-A VP/ 592-A VP ▲SET403	BR580/ BR572 ▲SET401	Inner Seal Kit	1255
						Outer Seal Kit	31378
Navistar - 4.824" Shaft				598-A VP/ 592-A VP ▲SET404	BR580/ BR572 ▲SET401	Inner Seal Kit	54930
White - 6.316" Seal O.D. ...	◇ 47692 (Reorder:) 47691	47697 or 47698 ⁵	47693	598-A VP/ 592-A VP ▲SET404	BR580/ BR572 ▲SET401	Inner Seal Kit	1255
						Outer Seal Kit	31378
White - 7.006" Seal O.D. ...		47699		681-A VP/ BR672	BR580/ BR572 ▲SET401	Outer Seal Kit	31378
33 6.316" Seal O.D.	◇ 47692 (Reorder:) 47691	47697 or 47698 ⁵	47693	681-A VP/ BR672	BR580/ BR572 ▲SET401	Inner Seal Kit	1255
						Outer Seal Kit	31378
7.006" Seal O.D.		47699		681-A VP/ BR672	BR580/ BR572 ▲SET401	Outer Seal Kit	31378

For in-text symbols, see page 5A.

Mfr Line Number	Scotseal® PlusXL	Scotseal® Classic	Scotseal® Longlife	Inner (Cone/Cup)	Outer (Cone/Cup)	Grease Seal Location	Number
Meritor (continued)							
34 GMC - 6.006" Seal O.D. ...		47690		598-A VP/ 592-A VP ▲ SET404	BR580/ BR572 ▲ SET401		
GMC - 6.259" Seal O.D. ...	48002	48000		598-A VP/ 592-A VP ▲ SET404	BR580/ BR572 ▲ SET401	Outer Seal Kit	31378
Navistar		48884 [†] w/455019		598-A VP/ 592-A VP ▲ SET404	BR580/ BR572 ▲ SET401	Inner Seal Kit	54935
35 Standard Axle		43860		BR598/ 592-A VP	BR575/ BR572	Inner	43820
Navistar - 3.000" Outer Cone I.D.		43860		BR598/ 592-A VP	BR575/ BR572	Inner	43820
Navistar - 3.250" Outer Cone I.D.		43860		BR598/ 592-A VP	BR580/ BR572 ▲ SET401	Inner	43820
36		44964		BR663/ BR653 ▲ SET405	BR580/ BR572 ▲ SET401	Inner	44968
37 4.500" Shaft	45157	45160		594-A VP/ 592-A VP ▲ SET403	BR580/ BR572 ▲ SET401	Inner Seal Kit	45150
4.824" Shaft				594-A VP/ 592-A VP ▲ SET403	BR580/ BR572 ▲ SET401		
38				BR772/ BR782	BR6535/ BR6580		
39		48690		BR687/ BR672 ▲ SET499	BR47890/ BR47820 ▲ SET417	Outer	21840
						Inner	48693
40		44964			BR663/ BR653 ▲ SET405	Outer Seal Kit 8 Bolt Holes	31385
						Inner	44968
41 Standard Axle		44964		749-A VP/ BR742	BR663/ BR653 ▲ SET405	Outer Seal Kit 10 Bolt Holes	31390
GMC		44964		749-A VP/ BR742	BR663/ BR653 ▲ SET405	Inner	44968
						Outer Seal Kit	31385
						Inner	44968
42 Standard Axle	40129	40136 or 40139 ⁵		BR596/ 592-A VP	BR596/ 592-A VP		
White	40129	40136 or 40139 ⁵		BR596/ 592-A VP	BR581/ BR572		

Mfr Line Number	Scotseal® PlusXL	Scotseal® Classic	Scotseal® Longlife	Inner (Cone/Cup)	Outer (Cone/Cup)	Grease Seal Location	Grease Seal Number
-----------------	------------------	-------------------	--------------------	------------------	------------------	----------------------	--------------------

Meritor (continued)

43 Standard Axle				BR395/ 394-A VP	BR387/ 382-A VP		
White				BR395/ 394-A VP	BR387/ 382-A VP		
44 Standard Axle - 2.625" Outer Cone I.D.	40129	40136 or 40139 ⁵		BR580/ BR572 ▲ SET401	BR560/ 553-X		
Standard Axle - 3.000" Outer Cone I.D.	40129	40136 or 40139 ⁵		BR580/ BR572 ▲ SET401	BR575/ BR572		
White	40129	40136 or 40139 ⁵		BR575/ BR572	BR575/ BR572	Axle Shaft	22492
45 Standard Axle	40129	40136 or 40139 ⁵		BR580/ BR572 ▲ SET401			
White	40129	40136 or 40139 ⁵		BR580/ BR572 ▲ SET401			
46	40129	40136 or 40139 ⁵		BR575/ BR572	BR567/ BR563 ▲ SET425		
47						Inner	36289
48					BR780/ BR772	Inner Seal Kit	1256
49		42800		BR582/ BR572 ▲ SET402	BR42688/ BR42620		
50 Standard Axle - From 6/1981..	48002	48000		594-A VP/ 592-A VP ▲ SET403	BR580/ BR572 ▲ SET401	Outer Seal Kit	31385
Standard Axle - Thru 5/1981..				598-A VP/ 592-A VP ▲ SET404	BR580/ BR572 ▲ SET401	Inner - Grease Seal	55175
GMC - 6.006" Seal O.D. ...		47690		598-A VP/ 592-A VP ▲ SET404	BR580/ BR572 ▲ SET401	Oil Bath Seal	55177
GMC - 6.006" Seal O.D. w/3.750" Inner Cone I.D. ...		47690		594-A VP/ 592-A VP ▲ SET403	BR580/ BR572 ▲ SET401	Outer Seal Kit	31385
						Inner - Grease Seal	55175
						Oil Bath Seal	55177

For in-text symbols, see page 5A.

Mfr Line Number	Scotseal® PlusXL	Scotseal® Classic	Scotseal® Longlife	Inner (Cone/Cup)	Outer (Cone/Cup)	Grease Seal Location	Number
Meritor (continued)							
GMC - 6.259" Seal O.D. w/3.625" Inner Cone I.D. ...	48002	48000		598-A VP/ 592-A VP ▲SET404	BR580/ BR572 ▲SET401	Outer Seal Kit	31378
GMC - 6.259" Seal O.D. w/3.750" Inner Cone I.D. ...	48002	48000		594-A VP/ 592-A VP ▲SET403	BR580/ BR572 ▲SET401	Outer Seal Kit	31378
GMC - 6.316" Seal O.D. w/3.625" Inner Cone I.D. ...	◇ 47692 (Reorder:) 47691	47697 or 47698 ⁵	47693	598-A VP/ 592-A VP ▲SET404	BR580/ BR572 ▲SET401	Inner Seal Kit	1255
GMC - 6.316" Seal O.D. w/3.750" Inner Cone I.D. ...	◇ 47692 (Reorder:) 47691	47697 or 47698 ⁵	47693	594-A VP/ 592-A VP ▲SET403	BR580/ BR572 ▲SET401	Outer Seal Kit	31378
51 Standard Axle - 4.766" Shaft...	◇ 47692 (Reorder:) 47691	47697 or 47698 ⁵	47693	594-A VP/ 592-A VP ▲SET403	BR580/ BR572 ▲SET401	Outer Seal Kit	1240
Standard Axle - 5.500" Shaft...		55177 [*] w/455054		BR782/ BR772	BR749/ BR742	Outer Seal Kit	31385
GMC		55177 [*] w/455054		BR782/ BR772	BR749/ BR742	Inner - Grease Seal	55175
Navistar		55177 [*] w/455054		BR782/ BR772	BR749/ BR742	Inner - Oil Bath Seal	55177
						Outer Seal Kit	31385
						Inner - Grease Seal	55175
						Inner - Oil Bath Seal	55177
						Outer Seal Kit	31385
						Inner - Grease Seal	55175
						Inner - Oil Bath Seal	55177
52 Standard Axle				BR782/ BR772	BR6580/ BR6535	Outer	32424
GMC				BR782/ BR772	BR6580/ BR6535	Inner	60028
						Inner	60028
53 4.824" Shaft					BR665/ BR653		
4.875" Shaft		48884 [*] w/455019			BR665/ BR653		
54				BR749/ BR742	BR749/ BR742	Axle Shaft 2.000" Shaft	19886
						Axle Shaft 2.500" Shaft	25043
						Inner - 4.750" Shaft	47394
						Inner - 5.000" Shaft	49928
55				368-A VP/ 362-A VP		Inner	23820
56 Standard Axle				BR665/ BR653	BR657/ BR653		
GMC				BR665/ BR653	BR657/ BR653	Inner	40078

**A
P
P
L
I
C
A
T
I
O
N
S**

**T
R
A
I
L
E
R
,
T
A
G
&
P
U
S
H
E
R
A
X
L
E
S**

**F
R
O
N
T
A
X
L
E
S**

**D
R
I
V
E
A
X
L
E
S**

**M
E
D
I
U
M
T
R
U
C
K**

Mfr Line Number	Scotseal® PlusXL	Scotseal® Classic	Scotseal® Longlife	Inner (Cone/Cup)	Outer (Cone/Cup)	Grease Seal Location	Number
--------------------	---------------------	----------------------	-----------------------	---------------------	---------------------	-------------------------	--------

Meritor (continued)

57				BR665/ BR653	BR657/ BR653		
Standard Axle							
GMC				BR665/ BR653	BR657/ BR653	Inner	40078
58		39380		BR568/ BR563	BR749/ 472-A		
.....							
59				BR570/ BR563			
.....							
60		44964		BR665/ BR653	BR567/ BR563 ▲SET425	Inner	44967
.....							
61		44964		BR663/ BR653 ▲SET405	BR567/ BR653	Inner	44967
.....							
62				BR581/ BR572	BR575/ BR572	Inner	46200
.....							
63	40129	40136		BR575/ BR572	BR575/ BR572	Axle Shaft	22492
.....						Inner - 4.000"	
						Shaft	40108
						Inner - 4.625"	
						Shaft	46200
64		42800			BR42687/ BR42620		
.....							
65		44964		BR663/ BR653 ▲SET405	BR663/ BR653 ▲SET405	Inner	44967
.....							
66		44964		BR749/ BR742	BR663/ BR653 ▲SET405		
.....							
67				BR759/ BR752	BR749/ BR742		
4.824" Shaft							
4.875" Shaft		48884 [*] w/455019		BR759/ BR752	BR749/ BR742		
.....							
68				749-A VP/ BR742			
.....							
69				BR749/ BR742		Inner	45140
.....							

For in-text symbols, see page 5A.

Mfr Line Number	Scotseal® PlusXL	Scotseal® Classic	Scotseal® Longlife	Inner (Cone/Cup)	Outer (Cone/Cup)	Grease Seal Location	Number
Meritor (continued)							
70		48690		BR6580/ BR6535	BR663/ BR653 ▲SET405	Outer Seal Kit	31390 Inner 48693
71 4.266" Shaft		42800		598-A VP/ 592-A VP ▲SET404	BR580/ BR572 BR580/ BR572 ▲SET401		
4.766" Shaft	✧ 47692 (Reorder:) 47691	47697 or 47698 ⁵	47693	598-A VP/ 592-A VP ▲SET404	BR580/ BR572 ▲SET401		
4.824" Shaft				598-A VP/ 592-A VP ▲SET404	BR580/ BR572 ▲SET401		
4.875" Shaft		48884		598-A VP/ 592-A VP ▲SET404	BR580/ BR572 ▲SET401		
72		47699		681-A VP/ BR672	BR580/ BR572 ▲SET401		
73	45157	45160		BR594/ 592-A VP	BR580/ BR572 ▲SET401		
74		42800		663-A/ BR653	BR42687/ BR42620		
75		47699		681-A VP/ BR672	BR580/ BR572 ▲SET401		
76 3.875" Shaft		38750		BR47686/ BR47620 ▲SET411	BR39590/ BR39520 ▲SET408		
3.938" Shaft		39420		BR47686/ BR47620 ▲SET411	BR39590/ BR39520 ▲SET408		
77	38776	38780		BR47686/ BR47620 ▲SET411	BR39590/ BR39520 ▲SET408		
78		48884		BR759/ BR752	BR749/ BR742		
79	38776	38780		BR47686/ BR47620 ▲SET411	BR39590/ BR39520 ▲SET408		
80	40129	40136 or 40139 ⁵		BR33281/ BR33462	BR3982/ BR3920		
81 3.000" Inner Cone I.D.	40129	40136 or 40139 ⁵		BR575/ BR572			
3.250" Inner Cone I.D.	40129	40136 or 40139 ⁵		BR580/ BR572 ▲SET401			

**A
P
P
L
I
C
A
T
I
O
N
S**

**T
R
A
I
L
E
R
,
T
A
G
&
P
U
S
H
E
R
A
X
L
E
S**

**F
R
O
N
T
A
X
L
E
S**

**D
R
I
V
E
A
X
L
E
S**

**M
E
D
I
U
M
T
R
U
C
K**

Mfr Line Number	Scotseal® PlusXL	Scotseal® Classic	Scotseal® Longlife	Inner (Cone/Cup)	Outer (Cone/Cup)	Grease Seal Location	Number
-----------------	------------------	-------------------	--------------------	------------------	------------------	----------------------	--------

Meritor (continued)

82				BR663/ BR653 ▲ SET405	BR567/ BR563 ▲ SET425	Inner	44968
83	34384	34387		BR33287/ BR33462	BR3982/ BR3920		
84	◇ 47692 (Reorder:) 47691	47697 or 47698 ⁵	47693	598-A VP/ 592-A VP ▲ SET404	BR580/ BR572 ▲ SET401		
85		31323		BR3984/ BR3920	BR462/ 453-X VP		
86	40129	40136 or 40139 ⁵		BR575/ BR572	BR575/ BR572		
87	◇ 47692 (Reorder:) 47691	47697 or 47698 ⁵	47693	594-A VP/ 592-A VP ▲ SET403	BR580/ BR572 ▲ SET401		
88		42800		BR582/ BR572 ▲ SET402	BR42687/ BR42620	Inner	42800
89		47699		681-A VP/ BR672	BR575/ BR572		
90		45162		BR759/ BR752	BR749/ BR742		
91	40129	40136 or 40139 ⁵		BR580/ BR572 ▲ SET401			
	w/R-S 56429 Axle	40129	40136 or 40139 ⁵	BR575/ BR572			
92		55177 ⁺ w/455054		BR782/ BR772	BR749/ BR742		
93				BR395/ 394-A VP BR395/ 394-A VP	BR387/ 382-A VP BR382/ BR387		
	w/R-S 53620 Axle						
94	40129	40136 or 40139 ⁵		BR580/ BR572 ▲ SET401	HM212049 VP/ HM212011 VP ▲ SET413		
	w/R-S 56431 & 54433 Axles..	40129	40136 or 40139 ⁵	BR575/ BR572	HM212049 VP/ HM212011 VP ▲ SET413		

For in-text symbols, see page 5A.

Mfr Line Number	Scotseal® PlusXL	Scotseal® Classic	Scotseal® Longlife	Inner (Cone/Cup)	Outer (Cone/Cup)	Grease Seal Location	Number
--------------------	---------------------	----------------------	-----------------------	---------------------	---------------------	-------------------------	--------

Meritor (continued)

95 w/R-S 58269 Axle	40129	40136		BR575/ BR572 BR581/ BR572	BR575/ BR572 BR575/ BR572	Inner	22492
96				BR782/ BR772	BR6580/ BR6535	Inner	60028
97				BR596/ 592-A VP	BR596/ 592-A VP	Inner	22492
98					BR780/ BR772	Inner	29263
99		31323		BR3984/ BR3920	BR462/ 453-X VP	Outer	63734
100				368-A VP/ 362-A VP	359-S VP/ 354-A VP		
101	45093	45099		BR663/ BR653 ▲ SET405	BR567/ BR563 ▲ SET425		
102				BR663/ BR653 ▲ SET405	BR657/ BR653	Inner	44968
103		44964 or 45010 ⁵		749-A VP/ BR742	BR663/ BR653 ▲ SET405		
104		55177 [†] w/455054		BR782/ BR772	BR749/ BR742		
105					BR663/ BR653 ▲ SET405		
106		39420		495-AX VP/ BR493	BR3984/ BR3920		
107	34384	34387		BR33287/ BR33462	BR3982/ BR3920		
108	38776	38780		BR47686/ BR47620 ▲ SET411	BR39590/ BR39520 ▲ SET408		

APPLICATIONS

**TRAILER, TAG &
PUSHER AXLES**

**FRONT
AXLES**

**DRIVE
AXLES**

**MEDIUM
TRUCK**

Mfr Line Number	Scotseal® PlusXL	Scotseal® Classic	Scotseal® Longlife	Inner (Cone/Cup)	Outer (Cone/Cup)	Grease Seal Location	Number
Meritor (continued)							
109	◇ 47692 (Reorder:) 47691	47697	47693	598-A VP/ 592-A VP ▲ SET404	BR580/ BR572 ▲ SET401		
110	◇ 47692 (Reorder:) 47691	47697	47693	594-A VP/ 592-A VP ▲ SET403	BR580/ BR572 ▲ SET401		
111		48884		BR760/ BR752	BR749/ BR742		
112		48884			BR749/ BR742		
113					BR39590/ BR39520 ▲ SET408		
114				BR665/ BR653	BR567/ BR563 ▲ SET425		
115	◇ 47692 (Reorder:) 47691	47697	47693	594-A VP/ 592-A VP ▲ SET403	BR580/ BR572 ▲ SET401	Inner - Seal w/Sleeve	49050
116		39380		495-AX VP/ BR493	BR3984/ BR3920		
		38709		BR42688/ BR42620	BR39590/ BR39520 ▲ SET408		
	38776	38780		BR47686/ BR47620 ▲ SET411	BR39590/ BR39520 ▲ SET408		
		39420		495-AX VP/ BR493	BR39590/ BR39520 ▲ SET408		

Mitsubishi Fuso Axle Model Index

Model	Capacity	See	Line No.	Model	Capacity	See	Line No.
FK415			2	FM555			1
FK455			2				

Mfr Line Number	Scotseal® PlusXL	Scotseal® Classic	Scotseal® Longlife	Inner (Cone/Cup)	Outer (Cone/Cup)	Grease Seal Location	Number
Mitsubishi Fuso							
1						Inner	60620
2						Inner	51181

Navistar Axle Model Index

Model	Capacity	See	Line No.	Model	Capacity	See	Line No.
1401			18	14369			29
1402			1	1438	18500 lbs.	Meritor L301	
14026			36	14389			36
14027			36	14399			36
14029			26	1443	34000 lbs.	Eaton 34R	
1403			4	14437			36
14032			6	1444	34000 lbs.	Eaton 34R	
14036			35	14465			36
14039			28	14472			36
1404			10	14474			36
14040			27	14475			35
14047			27	14476			36
1405			11	14493			35
14051			27	14494			36
14052			27	14496			36
14057			27	14498			35
1406			12	1450	23000 lbs.	Meritor R300A	
14069			35	1450	23000 lbs.	Meritor R300B	
14072			36	1451	36000 lbs.	Eaton 36M	
14077			27	1452			10
14087			6	1453			10
14088			27	1454	28000 lbs.	Eaton 28M	
1409	23000 lbs.	Meritor R100		1454	28000 lbs.	Eaton 28R	
1409	23000 lbs.	Meritor R100A		1455	18000 lbs.	Eaton 17500	
14091			27	1455	18000 lbs.	Eaton 17501	
14095			27	1456	22000 lbs.	Eaton 18500	
14096			6	1457			4
14097			36	1458	18500 lbs.	Eaton 1790	
1410			10	1459	22000 lbs.	Eaton 1890	
1411	15000 lbs.	Eaton 13600		1459	22000 lbs.	Eaton 1891	
14119			27	1459	22000 lbs.	Eaton 1892	
1412	16000 lbs.	Eaton 16600		1459	22000 lbs.	Eaton 1893	
14127			37	1486	18500 lbs.	Meritor LT301	
14130			28	1492			6
14131			6	1493	18500 lbs.	Meritor L301	
14132			27	1497	23000 lbs.	Eaton 19500	
14133			6	14ADA			34
1415	21000 lbs.	Eaton 2613		14ADB			35
1416	22000 lbs.	Eaton 2695		14ADC			35
1418	23000 lbs.	Eaton 20500		14ADD			35
14186			6	14ADH			35
14187			34	14ARB			36
1419	34000 lbs.	Meritor SLDD		14ARC			37
14193			36	14ARD			37
14194			36	14ARE			37
14199			35	14ARG			36
1420	29000 lbs.	Meritor U200A		14CDA			34
1420	29000 lbs.	Meritor U200B		14CDB			36
1421	22000 lbs.	Eaton 18800		14EEA			38
1422	23000 lbs.	Meritor QT301		14GDA			35
1423	29000 lbs.	Meritor U300A		14GEA			36
1423	29000 lbs.	Meritor U300B		14GEB			36
1424			18	14GEC			36
1425	32000 lbs.	Eaton 32R		14GED			36
1426	32000 lbs.	Eaton 32R		14GEH			36
1427	23000 lbs.	Eaton 1911		14GEJ			36
14277			37	14GEK			36
1428	22000 lbs.	Eaton 22M		14GEL			36
14282			27	14GRA			35
1429	28000 lbs.	Eaton 28M		14GRB			36
1429	28000 lbs.	Eaton 28R		14GRC			36
14298			29	14GRD			36
14308			36	14GRE			36
14309			27	14GRG			37
14311			36	14GRH			36
14315			35	14GRP			36
1433			3	14GRR			36
1435	22000 lbs.	Meritor Q301		14GRS			36
14350			36	R1070	4500 lbs.		1
14350			36	R1165	6000 lbs.		1
14357			36	R1170	7000 lbs.		4
1436	18500 lbs.	Meritor L101		RA1	2500 lbs.	Spicer 30	

**A
P
P
L
I
C
A
T
I
O
N
S**

**T
R
A
I
L
E
R
,
T
A
G
&
P
U
S
H
E
R
A
X
L
E
S**

**F
R
O
N
T
A
X
L
E
S**

**D
R
I
V
E
A
X
L
E
S**

**M
E
D
I
U
M
T
R
U
C
K**

Navistar Axle Model Index (continued)

Model	Capacity	See	Line No.	Model	Capacity	See	Line No.
RA10	4500 lbs.		1	RA180	29000 lbs.		40
RA11	4500 lbs.		1	RA181	22000 lbs.	Eaton 22501	
RA118	18500 lbs.	Eaton 17221		RA184	13500 lbs.	Eaton 15201	
RA119	22000 lbs.	Eaton 22221		RA184	15000 lbs.		31
RA12	2300 lbs.	Spicer 27		RA186	19000 lbs.	Eaton 17202	
RA120	12000 lbs.	Eaton 1250		RA187	15000 lbs.	Eaton 15201	
RA125	15000 lbs.	Eaton 13600		RA189	17000 lbs.	Eaton 16220	
RA126	13500 lbs.	Eaton 13802		RA19	3500 lbs.	Spicer 44	6
RA127	13500 lbs.	Eaton 13802		RA190	24000 lbs.	Meritor R330	
RA127	15000 lbs.		31	RA191	24000 lbs.	Meritor R390	
RA128	13500 lbs.	Eaton 13802		RA192	22000 lbs.	Eaton 18202	
RA128	15000 lbs.		31	RA192	22000 lbs.	Eaton 18222	
RA129			2	RA193	23000 lbs.	Eaton 23221	
RA13	2300 lbs.	Spicer 27		RA194	26000 lbs.	Eaton 26221	
RA130	17500 lbs.	Spicer G175T		RA196	23000 lbs.	Eaton 19220	
RA130	15000 lbs.	Eaton 13600		RA197	23000 lbs.	Eaton 19202	
RA131	19000 lbs.	Spicer M190T		RA199	17500 lbs.	Eaton 16244	
RA131	15000 lbs.	Eaton 13600		RA2	2300 lbs.	Spicer 23	
RA132	13000 lbs.		2	RA20	7000 lbs.		4
RA132	22000 lbs.	Spicer M220T		RA21	2300 lbs.	Spicer 23	
RA132	13000 lbs.	Meritor E300		RA23	3500 lbs.	Spicer 44	
RA132	15000 lbs.	Eaton 13600		RA236	16000 lbs.	Eaton 6803	
RA133	13000 lbs.		2	RA24	3500 lbs.	Spicer 44	
RA135	16000 lbs.	Eaton 16600		RA240	17000 lbs.	Meritor H200	
RA136	16000 lbs.	Eaton 16802		RA241			35
RA138	16000 lbs.	Eaton 16802		RA243	18500 lbs.	Meritor L201	
RA14	2300 lbs.	Spicer 27		RA245	21000 lbs.	Eaton 2613	
RA140	18000 lbs.	Meritor H300		RA245	21000 lbs.	Eaton 2614	
RA143	16000 lbs.	Eaton 16600		RA246	18500 lbs.	Eaton 7810	
RA145	18500 lbs.	Eaton 17800		RA25	13500 lbs.		5
RA146	18500 lbs.	Eaton 17810		RA250	21000 lbs.	Eaton 2695	
RA147	18500 lbs.	Eaton 17810		RA251	22000 lbs.	Eaton 8812	
RA149	17000 lbs.	Eaton 16802		RA252	22000 lbs.	Eaton 8812	
RA15	6000 lbs.		3	RA252	23000 lbs.		32
RA150	21000 lbs.	Eaton 18802		RA255	23000 lbs.	Eaton 2731	
RA151	23000 lbs.	Eaton 18812		RA256	23000 lbs.	Eaton 9512	
RA151	23000 lbs.	Eaton 18813		RA256	22000 lbs.		32
RA152	23000 lbs.	Eaton 18812		RA257	23000 lbs.	Eaton 9512	
RA152	23000 lbs.	Eaton 18813		RA26	13500 lbs.		5
RA155	23000 lbs.	Eaton 19501		RA26	23500 lbs.		27
RA155	23000 lbs.	Eaton 19502		RA262	18500 lbs.		6
RA155	23000 lbs.	Eaton 19503		RA262	18500 lbs.	Meritor L265	
RA156	23000 lbs.	Eaton 19512		RA264	22000 lbs.	Meritor QT240	
RA156	23000 lbs.	Eaton 19513		RA265	22000 lbs.	Meritor Q201	
RA157	23000 lbs.	Eaton 19512		RA266	22000 lbs.	Meritor Q240	
RA157	23000 lbs.	Eaton 19513		RA267	22000 lbs.	Meritor Q240	
RA158	23000 lbs.	Eaton 19800		RA268	23000 lbs.	Meritor R255	
RA158	23000 lbs.	Eaton 19801		RA27			14
RA158	23000 lbs.	Eaton 19802		RA270	23000 lbs.	Meritor R200	
RA16	5000 lbs.	Spicer 60		RA271	23000 lbs.	Meritor RT265	
RA160	18000 lbs.	Meritor LT301		RA272	23000 lbs.	Meritor RT265	
RA161	18500 lbs.	Meritor LT340		RA273	23000 lbs.	Meritor R220	
RA162	18500 lbs.	Meritor L365		RA274	24000 lbs.	Meritor U200	
RA164	22000 lbs.	Meritor QT340		RA274	23000 lbs.	Meritor RT240	
RA165	21000 lbs.	Meritor QT301		RA274	24000 lbs.		40
RA166	22000 lbs.	Meritor QT365		RA275	24000 lbs.	Meritor U200	
RA167	22000 lbs.	Meritor QT365		RA275	29000 lbs.		40
RA167	23000 lbs.		32	RA276	24000 lbs.	Meritor U200	
RA168	22000 lbs.	Meritor QT350		RA276	29000 lbs.		40
RA17	5000 lbs.	Spicer 60		RA277	29000 lbs.	Meritor U240	
RA170	23000 lbs.	Meritor R300		RA278			30
RA171	23000 lbs.	Meritor RT365		RA279	36000 lbs.	Meritor W460	
RA172	23000 lbs.	Meritor RT365		RA28	3500 lbs.	Spicer 44	
RA173	23000 lbs.	Meritor R320		RA282	26000 lbs.	Eaton 26321	
RA174	23000 lbs.	Meritor RT340		RA286	18500 lbs.	Eaton 17302	
RA174	24000 lbs.		32	RA29	13500 lbs.		7
RA175	29000 lbs.	Meritor U300		RA29	13500 lbs.		31
RA176	29000 lbs.	Meritor U300		RA290	24000 lbs.		21
RA178	29000 lbs.	Meritor U340		RA290	23000 lbs.	Meritor R230	
RA178	30000 lbs.		37	RA291	22000 lbs.	Meritor QT230	
RA18	3500 lbs.	Spicer 44		RA292	23000 lbs.		21
RA180	22000 lbs.	Eaton 22501		RA292	22000 lbs.	Eaton 18302	

For in-text symbols, see page 5A.

Navistar Axle Model Index (continued)

Model	Capacity	See	Line No.	Model	Capacity	See	Line No.
RA292	22000 lbs.	Eaton 18322		RA345	38000 lbs.		20
RA293	23000 lbs.	Eaton 23321		RA346	34000 lbs.	Meritor SLHD	
RA294	35000 lbs.		8	RA347	36000 lbs.		21
RA299			9	RA348	38000 lbs.	Meritor SQHD	
RA3	2500 lbs.	Spicer 30		RA349	34000 lbs.	Meritor SLHD	
RA30	13500 lbs.	Spicer D135S		RA35	15000 lbs.		12
RA30	15000 lbs.		10	RA35	16000 lbs.		40
RA300	60000 lbs.	Meritor SFD4600		RA350	38000 lbs.	Meritor SQ100	
RA301	22000 lbs.	Eaton 22M		RA350	50000 lbs.		32
RA302	34000 lbs.	Eaton 34DSB		RA351	34000 lbs.		13
RA303	34000 lbs.	Eaton 34DTB		RA352	48000 lbs.	Eaton DP480P	
RA304	34000 lbs.	Eaton 34DPB		RA352	48000 lbs.	Eaton DP481P	
RA305	28000 lbs.	Eaton 28M		RA353	44000 lbs.	Eaton DT440P	
RA306	34000 lbs.	Eaton 34D3B		RA353	44000 lbs.	Eaton DT441P	
RA306	34000 lbs.	Eaton 34MF		RA354	44000 lbs.	Eaton DP440P	
RA306	34000 lbs.	Eaton 34R		RA354	46000 lbs.		20
RA307	30000 lbs.	Eaton 30DS		RA355	38000 lbs.		14
RA308	38000 lbs.	Eaton DS380P		RA356	44000 lbs.	Eaton 42DP	
RA308	38000 lbs.	Eaton DS381P		RA357	44000 lbs.	Eaton 42DTA	
RA309	38000 lbs.	Eaton DT380P		RA358	44000 lbs.	Eaton 42DSA	
RA309	38000 lbs.	Eaton DT381P		RA359	46000 lbs.	Meritor SR170	
RA31	17500 lbs.	Spicer G175S		RA359	48000 lbs.		32
RA31	15000 lbs.		10	RA36	17000 lbs.	Eaton 1614	
RA310	34000 lbs.	Eaton 34R		RA36	17000 lbs.	Eaton 1615	
RA311	34000 lbs.	Eaton 34R		RA360	34000 lbs.	Eaton 34D3	
RA312	34000 lbs.	Eaton 34D		RA360	34000 lbs.	Eaton 34DTA	
RA312	34000 lbs.	Eaton 34DS		RA361	38000 lbs.	Eaton 38D3	
RA313	34000 lbs.	Eaton 34DT		RA361	38000 lbs.	Eaton 38DTA	
RA314	34000 lbs.	Eaton 34DP		RA362	44000 lbs.	Eaton 42D3	
RA315	34000 lbs.	Meritor SL100		RA363	38000 lbs.	Meritor SQDD	
RA315	34000 lbs.	Meritor SLDD		RA364	55000 lbs.	Meritor SUDD	
RA316	34000 lbs.	Meritor SLDD		RA365	55000 lbs.	Meritor SUD	
RA317	34000 lbs.	Meritor SLD		RA368	50000 lbs.	Meritor STDD	
RA318	38000 lbs.		6	RA369	55000 lbs.	Meritor SUDD	
RA318	34000 lbs.	Meritor SL100		RA37	17000 lbs.	Eaton 1618	
RA318	34000 lbs.	Meritor SLHD		RA370	60000 lbs.	Meritor SFD	
RA319	38000 lbs.		6	RA371	60000 lbs.	Meritor SFDD4600	
RA319	34000 lbs.	Meritor SLHD		RA372	60000 lbs.	Meritor SFD4640	
RA32	19000 lbs.	Spicer G190S		RA373	60000 lbs.	Meritor SFDD	
RA32	15000 lbs.		10	RA373	60000 lbs.	Meritor SFDD4640	
RA320	36000 lbs.	Eaton 36R		RA374	60000 lbs.	Meritor SFDD4740	
RA321	36000 lbs.	Eaton 36R		RA375	50000 lbs.	Eaton 46M	
RA322	36000 lbs.	Eaton 36M		RA375	50000 lbs.	Eaton 46R	
RA323	38000 lbs.	Eaton 38DS		RA377	60000 lbs.	Meritor SFD4640	
RA324	38000 lbs.	Eaton 38DT		RA378	60000 lbs.	Meritor SFDD4640	
RA325	38000 lbs.	Eaton 38DP		RA38	15000 lbs.		12
RA326	44000 lbs.	Eaton 42DP		RA382	60000 lbs.	Meritor SFD4640	
RA327	44000 lbs.	Eaton 42DTA		RA382	65000 lbs.		40
RA327F	58000 lbs.		39	RA383	60000 lbs.	Meritor SFDD	
RA327R	58000 lbs.		39	RA383	60000 lbs.	Meritor SFDD4640	
RA328	34000 lbs.	Meritor SLHD		RA386	34000 lbs.		13
RA329	38000 lbs.	Meritor SQDD		RA387	38000 lbs.		15
RA33	22000 lbs.	Spicer M220S		RA388	34000 lbs.	Meritor SLHD	
RA33	15000 lbs.		11	RA388	34000 lbs.		35
RA330	38000 lbs.	Meritor SQDD		RA389	44000 lbs.	Meritor SSHD	
RA331	38000 lbs.	Meritor SQD		RA39	17000 lbs.		16
RA332	38000 lbs.	Meritor SQHD		RA390	38000 lbs.	Eaton 38DSB	
RA333	38000 lbs.	Meritor SQHD		RA390	38000 lbs.		39
RA334	38000 lbs.	Meritor SQHD		RA391	38000 lbs.	Eaton 38DT	
RA335	44000 lbs.	Meritor SRD		RA391	38000 lbs.	Eaton 38DTB	
RA336	44000 lbs.	Meritor SRDD		RA392	38000 lbs.	Eaton 38DP	
RA337	44000 lbs.	Meritor SRD		RA392	38000 lbs.	Eaton 38DPB	
RA338	44000 lbs.	Meritor SRDD		RA393	38000 lbs.	Eaton 38D3	
RA339	44000 lbs.	Meritor SRDD		RA393	38000 lbs.	Eaton 38D3B	
RA34	19000 lbs.	Spicer M190S		RA395	44000 lbs.	Eaton 42DPB	
RA340	38000 lbs.	Meritor SQW		RA396	34000 lbs.	Meritor SLDD	
RA340	36000 lbs.		38	RA397	38000 lbs.	Meritor SQDD	
RA341	30000 lbs.		16	RA399	44000 lbs.	Meritor SSHD	
RA342	40000 lbs.	Eaton DT400P		RA399	46000 lbs.		32
RA342	40000 lbs.	Eaton DT401P		RA4	2300 lbs.	Spicer 27	
RA343	44000 lbs.	Eaton DS440P		RA40	16000 lbs.		6
RA344	38000 lbs.	Meritor SQW		RA408	34000 lbs.	Eaton 34DSC	

APPLICATIONS

TRAILER, TAG & PUSH-ER AXLES

FRONT AXLES

DRIVE AXLES

MEDIUM TRUCK

For in-text symbols, see page 5A.

Navistar Axle Model Index (continued)

Model	Capacity	See	Line No.	Model	Capacity	See	Line No.
RA408	34000 lbs.	Eaton 34DSE		RA497	38000 lbs.	Eaton DP381	
RA41	16000 lbs.		12	RA498	34000 lbs.	Eaton DT340	
RA41	18500 lbs.	Eaton 1618		RA498	34000 lbs.	Eaton DT341	
RA42	17500 lbs.		16	RA499			36
RA426			22	RA5	3200 lbs.		18
RA429	34000 lbs.		15	RA50	22000 lbs.	Eaton 1890	
RA43	18500 lbs.		6	RA50	22000 lbs.	Eaton 1893	
RA430	58000 lbs.	Eaton TP580		RA500	65000 lbs.	Eaton DP650P	
RA430	34000 lbs.		27	RA502			29
RA431	23000 lbs.	Meritor R170		RA51	23000 lbs.		15
RA431	23000 lbs.	Meritor R172		RA51	2500 lbs.		19
RA432	23000 lbs.	Meritor R170		RA52	23000 lbs.		15
RA432	23000 lbs.	Meritor R172		RA52	2500 lbs.		19
RA433	38000 lbs.	Meritor SQHP		RA53	3700 lbs.	Spicer 60-2	
RA434	38000 lbs.	Meritor SQHP		RA54	3700 lbs.	Spicer 60-2	
RA437	34000 lbs.		15	RA55	23000 lbs.	Eaton 1911	
RA44	18500 lbs.		6	RA56	18500 lbs.		15
RA-44			43	RA57	23000 lbs.		14
RA446	44000 lbs.	Eaton 44DS		RA58	22000 lbs.		6
RA448	44000 lbs.	Eaton 44DT		RA58	18500 lbs.	Meritor L155	
RA449	44000 lbs.	Eaton 44DP		RA59	22000 lbs.	Eaton 1919	
RA45	18500 lbs.	Eaton 1790		RA6	2000 lbs.		18
RA451	38000 lbs.	Eaton 38DSC		RA60	18500 lbs.		6
RA451	38000 lbs.	Eaton 38DSE		RA63	7000 lbs.	Spicer 70	
RA455	44000 lbs.		14	RA63	15000 lbs.		13
RA459	50000 lbs.	Meritor STHD		RA64	22000 lbs.	Eaton 19121	
RA46	18500 lbs.		15	RA65	22000 lbs.	Meritor Q101	
RA460			36	RA66	22000 lbs.	Meritor QT140	
RA461	55000 lbs.	Meritor SUHD		RA67	24000 lbs.	Meritor R140	
RA461	58000 lbs.		41	RA69	23500 lbs.		28
RA463	44000 lbs.	Eaton DT480P		RA70	23000 lbs.	Meritor R100	
RA463	44000 lbs.	Eaton DT481P		RA701	34000 lbs.	Meritor SLHD	
RA463	48000 lbs.		27	RA702	38000 lbs.	Meritor SQHD	
RA464	40000 lbs.	Eaton DS400P		RA702	38000 lbs.	Meritor SRHD	
RA464	40000 lbs.	Eaton DS401P		RA703	34000 lbs.	Meritor SLHD	
RA465	44000 lbs.		27	RA703	38000 lbs.	Meritor SRHD	
RA467	44000 lbs.	Eaton 44DS		RA704	34000 lbs.	Eaton 34DP	
RA468	44000 lbs.	Eaton DT440		RA704	34000 lbs.	Eaton 34DS	
RA469	44000 lbs.	Eaton 44DP		RA705	38000 lbs.	Eaton 38DP	
RA47	22000 lbs.		14	RA705	38000 lbs.	Eaton 38DS	
RA470	34000 lbs.	Eaton 34D3B		RA706	34000 lbs.	Meritor SLHD	
RA471	58000 lbs.		17	RA706	42000 lbs.		42
RA472	38000 lbs.		14	RA707	44000 lbs.	Meritor SRHD	
RA472	40000 lbs.		21	RA71	23000 lbs.	Meritor R160	
RA474	44000 lbs.		14	RA72	23000 lbs.	Meritor R170	
RA474	46000 lbs.		32	RA72	23000 lbs.	Meritor R172	
RA475	34000 lbs.		6	RA727	15000 lbs.	Eaton 13802	
RA476	38000 lbs.		14	RA727	28000 lbs.		31
RA48	23000 lbs.		15	RA728	15000 lbs.	Eaton 13802	
RA480			17	RA728	28000 lbs.		31
RA481	40000 lbs.	Eaton DP401P		RA73	23000 lbs.	Meritor R170	
RA482			15	RA73	23000 lbs.	Meritor R172	
RA483	40000 lbs.	Eaton DT400		RA74	23000 lbs.	Meritor R170	
RA484			17	RA74	23000 lbs.	Meritor R172	
RA485			17	RA75	23000 lbs.	Eaton 19120	
RA486	55000 lbs.	Eaton DP550		RA76	23000 lbs.	Meritor R170	
RA486	58000 lbs.	Eaton DP580		RA76	23000 lbs.	Meritor R172	
RA487	34000 lbs.	Eaton DS340		RA77	23000 lbs.	Eaton 23121	
RA488	34000 lbs.	Eaton DT340		RA78	16000 lbs.	Eaton 1620	
RA490	38000 lbs.	Eaton DS380		RA79		Eaton U191RC	
RA491	38000 lbs.	Eaton DS380		RA80	23000 lbs.	Eaton 19420	
RA491	38000 lbs.	Eaton DS381		RA81	23000 lbs.	Eaton 19426	
RA492	38000 lbs.	Eaton DF380		RA83	3700 lbs.	Spicer 60-2	
RA493	34000 lbs.	Eaton DS340		RA84	3700 lbs.	Spicer 60-2	
RA493	34000 lbs.	Eaton DS341		RA87	18500 lbs.	Eaton 17101	
RA493	38000 lbs.		35	RA87	18500 lbs.	Eaton 17121	
RA494	38000 lbs.	Eaton DS380		RA88	23000 lbs.	Eaton 23420	
RA494	38000 lbs.	Eaton DS381		RA88	23000 lbs.	Eaton 23421	
RA495	50000 lbs.	Eaton 50DP		RA89	17500 lbs.	Meritor H172	
RA496	38000 lbs.	Eaton DT380		RA89	17500 lbs.	Meritor H170	
RA496	38000 lbs.	Eaton DT381		RA9	3500 lbs.	Spicer 44	
RA497	38000 lbs.	Eaton DP380		RA90	22000 lbs.		15

For in-text symbols, see page 5A.

Navistar Axle Model Index (continued)

Model	Capacity	See	Line No.	Model	Capacity	See	Line No.
RA90	23000 lbs.	Meritor RL170		RACEB			36
RA90	23000 lbs.	Meritor RL172		RAEEB			36
RA91	26000 lbs.	Eaton 26121		RAEEC			17
RA92	29000 lbs.	Meritor U170		RAERA			36
RA92	30000 lbs.		37	RAERB			39
RA95	22000 lbs.	Eaton 22421		RAGDA			6
RA96	18500 lbs.		13	RAGEB			36
RA97	23000 lbs.	Eaton 2300S		RAGEC			36
RA98	20000 lbs.		13	RAGED			36
RA99	20000 lbs.		17	RAGEE			36
RAACA			6	RAGEH			36
RAADB			6	RAGEL			32
RAADC			6	RAGEM			36
RAADD			6	RAGRA			6
RAADE			31	RAGRB			32
RAADG	19800 lbs.		6	RAGRC			32
RAADH	19800 lbs.		6	RAGRD			36
RAADN	13500 lbs.		31	RAGRE			36
RAADP	13500 lbs.		31	RAGRG			39
RAAED			6	RAGRH			36
RAAEG			36	RAGRJ			39
RAARB			36	RAGRN			32
RAARC			39	RAGRP			36
RAARD			39	RAGRR			36
RAARE			39	RAGRS			36
RAARH			6	RAGRX			6
RAARJ			36	RAGRY			32
RACDB			36				
RACEA			36				

Mfr Line Number	Scotseal® PlusXL	Scotseal® Classic	Scotseal® Longlife	Inner (Cone/Cup)	Outer (Cone/Cup)	Grease Seal Location	Number
--------------------	---------------------	----------------------	-----------------------	---------------------	---------------------	-------------------------	--------

Navistar

1				BR28584/ BR28521	BR25584/ BR25521	Inner - Single Whl.	26921
						Inner - Dual Whls.	33073
2		31323		BR3984/ BR3920	BR462/ 453-X VP		
3 Exc. 8 Bolt Whls.				BR395/ 394-A VP	BR377/ BR374	Inner	33136
8 Bolt Whls.				BR28995/ BR28920	LM104949 VP/ JLM104910	Inner	33073
4				BR3982/ BR3920	BR377/ BR374	Inner	33136
5 Exc. Cast Whls.				BR3984/ BR3920	BR29585/ BR29520	Inner	33136
Cast Whls.	38776	38780		BR47686/ BR47620 ▲SET411	BR39590/ BR39520 ▲SET408	Inner	38774
6	38776	38780		BR47686/ BR47620 ▲SET411	BR39590/ BR39520 ▲SET408	Inner - Seal Kit	1333
						Inner - Seal w/o Sleeve w/.500"	
						Width	38774
						Inner - Seal w/o Sleeve w/.750"	
						Width	38777

Mfr Line Number	Scotseal® PlusXL	Scotseal® Classic	Scotseal® Longlife	Inner (Cone/Cup)	Outer (Cone/Cup)	Location	Grease Seal Number
Navistar (continued)							
7 2.813" Inner Brg. I.D.	34994	35000		BR33281/ BR33462	BR39585/ BR39520	Inner	35029
2.875" Inner Brg. I.D.	34994	35000		BR33287/ BR33462	BR39585/ BR39520	Inner	35029
8				BR782/ BR772			
9		43860		BR598/ 592-A VP	BR575/ BR572	Inner	43820
10				BR3984/ BR3920	BR29585/ BR29520	Inner	33136
11	34384	34387		BR33281/ BR33462	BR39585/ BR39520	Inner	35012
12		38709		BR42688/ BR42620	BR39585/ BR39520	Inner	38703
13 3.000" Inner Cone I.D.	38776	38780		BR47678/ BR47620	BR39585/ BR39520	Inner - Seal w/o Sleeve	38774
Inner Brg. Shaft						Seal Kit	1333
3.250" Inner Cone I.D.	38776	38780		BR47686/ BR47620 ▲SET411	BR39590/ BR39520 ▲SET408	Inner - Seal Kit	1333
						Inner - Seal Only	38774
14 4.500" Shaft	45157	45160		594-A VP/ 592-A VP ▲SET403	BR580/ BR572 ▲SET401	Inner	45150
4.766" Shaft	47692 (Reorder: 47691)	47697 or 47698 ⁵	47693	594-A VP/ 592-A VP ▲SET403	BR580/ BR572 ▲SET401	Inner - Seal Kit	1255
						Outer	31378
15	45157	45160		594-A VP/ 592-A VP ▲SET403	BR580/ BR572 ▲SET401	Inner	45150
16	38776	38780		BR47678/ BR47620	BR39585/ BR39520	Inner	38777
17		48884		BR760/ BR752	BR749/ BR742		
18				3382-T/ BR3320		Inner - 1424	15649
						Inner - Exc. 1424	15677
						Outer - 1424	20554
19				LM48548 VP/ LM48510 VP ▲BR5	LM48548 VP/ LM48510 VP ▲BR5	Inner	13671
						Outer	16062

For in-text symbols, see page 5A.

Mfr Line Number	Scotseal® PlusXL	Scotseal® Classic	Scotseal® Longlife	Inner (Cone/Cup)	Outer (Cone/Cup)	Grease Seal Location	Number
Navistar (continued)							
20 4.375" Shaft		43860		594-A VP/ 592-A VP ▲SET403	BR580/ BR572 ▲SET401		
4.767" Shaft	◇ 47692 (Reorder: 47691	47697 or 47698 ⁵	47693	594-A VP/ 592-A VP ▲SET403	BR580/ BR572 ▲SET401		
21 4.500" Shaft	45157	45160		594-A VP/ 592-A VP ▲SET403	BR580/ BR572 ▲SET401		
4.766" Shaft	◇ 47692 (Reorder: 47691	47697 or 47698 ⁵	47693	594-A VP/ 592-A VP ▲SET403	BR580/ BR572 ▲SET401		
4.824" Shaft				594-A VP/ 592-A VP ▲SET403	BR580/ BR572 ▲SET401		
22	46300	46305	46308	HM218248 VP/ HM218210 VP ▲SET414	HM212049 VP/ HM212011 VP ▲SET413		
23	34994	35000		BR33287/ BR33462	BR39520/ BR39585		
24	38776	38780		BR47678/ BR47620	BR39520/ BR39585		
25				BR594/ BR592	BR580/ BR572 ▲SET401		
26	34994	35000		BR33281/ BR33462	BR39520/ BR39585		
27	◇ 47692 (Reorder: 47691	47697 or 47698 ⁵	47693	594-A VP/ 592-A VP ▲SET403	BR580/ BR572 ▲SET401		
28	38776	38780		BR47678/ BR47620	BR39520/ BR39585		
29		48884		BR760/ BR752	BR742/ BR749		
30 5.381" Seal O.D.		38747		BR47686/ BR47620 ▲SET411	BR39590/ BR39520 ▲SET408		
5.696" Seal O.D.	38776	38780		BR47686/ BR47620 ▲SET411	BR39590/ BR39520 ▲SET408		
31 Thru 8/81	34994	35000		BR33281/ BR33462	BR39585/ BR39520	Inner	35029
From 9/81				BR33287/ BR33462	BR39585/ BR39520	Inner	35029

**A
P
P
L
I
C
A
T
I
O
N
S**

**T
R
A
I
L
E
R
,
T
A
G
&
P
U
S
H
E
R
A
X
L
E
S**

**F
R
O
N
T
A
X
L
E
S**

**D
R
I
V
E
A
X
L
E
S**

**M
E
D
I
U
M
T
R
U
C
K**

Mfr Line Number	Scotseal® PlusXL	Scotseal® Classic	Scotseal® Longlife	Inner (Cone/Cup)	Outer (Cone/Cup)	Location	Grease Seal Number
-----------------	------------------	-------------------	--------------------	------------------	------------------	----------	--------------------

Navistar (continued)

32	45157	45160		594-A VP/ 592-A VP ▲SET403	BR580/ BR572 ▲SET401		
33	☆ 47692 (Reorder:) 47691	47697 or 47698 ⁵	47693	BR760/ BR752	BR749/ BR742		
34	34384	34387		BR33287/ BR33462	BR3982/ BR3920		
35	38776	38780		BR47686/ BR47620 ▲SET411	BR39590/ BR39520 ▲SET408		
36	☆ 47692 (Reorder:) 47691	47697	47693	594-A VP/ 592-A VP ▲SET403	BR580/ BR572 ▲SET401		
37		55177		BR782/ BR772	BR749/ BR742		
38				598-A VP/ 592-A VP ▲SET404	BR580/ BR572 ▲SET401		
39		55177		BR782/ BR772	BR749/ BR742		
40		48884		BR760/ BR752	BR749/ BR742		
41		43860		BR598/ 592-A VP	BR575/ BR572		
	Cast Whls.	38776	38780	BR598/ 592-A VP	BR575/ BR572		
42	☆ 47692 (Reorder:) 47691	47697	47693	BR582/ BR572 ▲SET402	BR42687/ BR42620		
43	38776	38780		BR47686/ BR47620 ▲SET411	BR39590/ BR39520 ▲SET408		

Navistar School Bus Axle Model Index

Model	Capacity	See	Line No.	Model	Capacity	See	Line No.
RA146			1	RA25			1
RA149			1	RA286			1
RA184			1	RA29			2
RA186			1	RA30			2
RA187			2	RA39			1
RA189			1	RA42			2
RA199			1	RA43			2

For in-text symbols, see page 5A.

Navistar School Bus Axle Model Index (continued)

Model	Capacity	See	Line No.	Model	Capacity	See	Line No.
RA44			2				

Mfr Line Number	Scotseal® PlusXL	Scotseal® Classic	Scotseal® Longlife	Inner (Cone/Cup)	Outer (Cone/Cup)	Location	Grease Seal Number
-----------------	------------------	-------------------	--------------------	------------------	------------------	----------	--------------------

Navistar School Bus

1	38776	38780		BR47686/ BR47620 ▲SET411	BR39590/ BR39520 ▲SET408		
2	34994	35000		BR33281/ BR33462	BR39585/ BR39520		

Navistar Truck Axle Model Index

Model	Capacity	See	Line No.	Model	Capacity	See	Line No.
400 Series			2	LFE700			1
500 Series			2	LFE900			1

Mfr Line Number	Scotseal® PlusXL	Scotseal® Classic	Scotseal® Longlife	Inner (Cone/Cup)	Outer (Cone/Cup)	Location	Grease Seal Number
-----------------	------------------	-------------------	--------------------	------------------	------------------	----------	--------------------

Navistar Truck

1						Inner	31515
2				BR32215			

Nissan Axle Model Index

Model	Capacity	See	Line No.	Model	Capacity	See	Line No.
CLA83			1	UD2000/CLE87			1
CMA83			1	UD3000/CPB14			2
CPB12			2	UD3300/CPC14			2
CPC12			2	UD550T/CPC14-T			2
UD1800/CME87			1				

Mfr Line Number	Scotseal® PlusXL	Scotseal® Classic	Scotseal® Longlife	Inner (Cone/Cup)	Outer (Cone/Cup)	Location	Grease Seal Number
-----------------	------------------	-------------------	--------------------	------------------	------------------	----------	--------------------

Nissan

1				BR32215	BR32213		
2						Inner	60622

Oshkosh Axle Model Index

Model	Capacity	See	Line No.	Model	Capacity	See	Line No.
1258-HA-2			9	W-2200			11
1555-G			10	W-2204			10
18-34			1	W609			5
18-38			3	W703			5
1880-G-2			11	W705			6
F2034			1	W709			5
F2044			2	W710			5
F2050			1	W712			7
M18-34			1	W825-6X6			7
M18-38			3	W825-6X6HD			3
W1600			5	W826-6X6			7
W1602			6	W826-6X6HD			3

Oshkosh Axle Model Index (continued)

Model	Capacity	See	Line No.	Model	Capacity	See	Line No.
W827-6X6HD			3	WA1600			4
W906-6X6			8	WA906-6X6			4

Mfr Line Number	Scotseal® PlusXL	Scotseal® Classic	Scotseal® Longlife	Inner (Cone/Cup)	Outer (Cone/Cup)	Grease Seal Location	Number
--------------------	---------------------	----------------------	-----------------------	---------------------	---------------------	-------------------------	--------

Oshkosh

1							
2		42800					Outer Seal Kit 31378 Inner Seal Kit Alum. Hub 54930
3							Inner - Seal Kit w/Cast Hub & 4.766" Shaft 1255 Inner - Alum. Hub 52445 Inner - Seal Kit w/Cast Hub & 4.824" Shaft 54930
4							Inner Seal Kit 4.766" Shaft 1255 Axle Shaft 24931 Inner Seal Kit 4.824" Shaft 54930
5							Axle Shaft Exc. W703, W1600 22492 Axle Shaft W703 24286 Axle Shaft W1600 24931
6							Inner - W705 46285
7							Axle Shaft W712 22492
8							Axle Shaft 25065 Inner 54972
9				BR749/ BR742	BR749/ BR742		
10				BR71450/ BR71750	BR71450/ BR71750		
11				BR780/ BR772	BR687/ BR672 ▲ SET499		

Peterbilt Axle Model Index

Model	Capacity	See	Line No.	Model	Capacity	See	Line No.
18 Series			1	38DPE			1
19 Series			2	38DS			1
38D			1	44D			2
38DPC			1				

Mfr Line Number	Scotseal® PlusXL	Scotseal® Classic	Scotseal® Longlife	Inner (Cone/Cup)	Outer (Cone/Cup)	Grease Seal Location	Grease Seal Number
-----------------	------------------	-------------------	--------------------	------------------	------------------	----------------------	--------------------

Peterbilt Axle

1	◇ 47692 (Reorder:) 47691	47697	47693	BR598/ 592-A VP	BR580/ BR572 ▲SET401		
2	◇ 47692 (Reorder:) 47691	47697	47693	BR594/ 592-A VP	BR575/ BR572		

Peterbilt Truck Axle Model Index

Model	Capacity	See	Line No.	Model	Capacity	See	Line No.
120			1	365DT			2
260			2	370			4
280			3	371			3
281			3	380			4
351			1	381			4
355DT			2	390			1
360			4				

Mfr Line Number	Scotseal® PlusXL	Scotseal® Classic	Scotseal® Longlife	Inner (Cone/Cup)	Outer (Cone/Cup)	Grease Seal Location	Grease Seal Number
-----------------	------------------	-------------------	--------------------	------------------	------------------	----------------------	--------------------

Peterbilt Truck

1						Inner - 351	47394
						Inner - 390	67533
2						Axle Shaft - 260	22492
						Axle Shaft 355DT, 365DT	24931
3						Inner Seal Kit 4.766" Shaft	1255
						Outer Seal Kit	31378
						Inner Seal Kit 4.824" Shaft	54930
4						Inner Seal Kit 4.766" Shaft	1256
						Inner Seal Kit 4.824" Shaft	54935

Rockwell - See Meritor

SISU Axle Model Index

Model	Capacity	See	Line No.	Model	Capacity	See	Line No.
FRDP-11-S (8/95 Thru 9/02)..	22000 lbs.		2	FRMP-11-S (8/95 Thru 9/02)	22000 lbs.		2
FRDP-13-S	26000 lbs.		1	FRMP-13-S	26000 lbs.		1
FRDP-16-S	32000 lbs.		1	FRMP-16-S	32000 lbs.		1
FRFP-11-S (8/95 Thru 9/02)..	22000 lbs.		2	FRP-16-S (Thru Ser. No. 20576)	32000 lbs.		2
FRFP-13-S (Thru Ser. No. 20576)..	26000 lbs.		2	SRDP-30-S (8/95 Thru 9/02)	60000 lbs.		2

Mfr Line Number	Scotseal® PlusXL	Scotseal® Classic	Scotseal® Longlife	Inner (Cone/Cup)	Outer (Cone/Cup)	Grease Seal Location	Number
SISU							
1	47692 (Reorder:) 47691	47697	47693				
Thru Ser. No. 53334							
2		534320					

Spicer Axle Model Index

Model	Capacity	See	Line No.	Model	Capacity	See	Line No.
185T	19000 lbs.		11	J340S	34000 lbs.		11
23	2300 lbs.		5	J400S	40000 lbs.		13
27	2300 lbs.		5	J460S	46000 lbs.		11
30	2500 lbs.		6	M185S			3
44	3500 lbs.		6	M185T	18500 lbs.		3
60	5000 lbs.		7	M190S	19000 lbs.		3
60-2	37000 lbs.		8	M190T	19000 lbs.		3
70	7000 lbs.		9	M200S	19000 lbs.		14
70HD	7000 lbs.		9	M210T	21000 lbs.		11
D135S	13500 lbs.		1	M220S	22000 lbs.		4
F155S	15500 lbs.		14	M220T	22000 lbs.		4
F170S	17000 lbs.		10	M230S			13
G155T	15500 lbs.		14	M230T	23000 lbs.		13
G175S	17500 lbs.		2	M460S	46000 lbs.		12
G175T	17500 lbs.		2	N175	17500 lbs.		11
G185S	18500 lbs.		3	N190	19000 lbs.		11
G185T	18500 lbs.		3	N340	34000 lbs.		11
G190S	19000 lbs.		3	S135S	13500 lbs.		1
G340S	34000 lbs.		11	S150S	15000 lbs.		1
G380S	38000 lbs.		12	W230S	23000 lbs.		12
G400S	40000 lbs.		12	W460S	46000 lbs.		11
J175S	17500 lbs.		10	WC190S	19000 lbs.		14
J190S	19000 lbs.		11				
J210S	21000 lbs.		11				
J220S	22000 lbs.		12				

Mfr Line Number	Scotseal® PlusXL	Scotseal® Classic	Scotseal® Longlife	Inner (Cone/Cup)	Outer (Cone/Cup)	Grease Seal Location	Number
1							
Navistar - 2.813" Inner Cone I.D.	34994	35000		BR33281/ BR33462	BR39585/ BR39520	Inner	35012
Navistar - 2.875" Inner Cone I.D.	34994	35000		BR33287/ BR33462	BR39585/ BR39520	Inner	35012
2							
Ford		39425		495-AX VP/ BR493	BR39590/ BR39520 ▲ SET408	Inner - Seal Kit Outer Seal Kit Inner - Seal	1322 25160 39423
GMC - 3.875" Shaft	38776	38780		495-AX VP/ BR493	BR39590/ BR39520 ▲ SET408		
GMC - 3.938" Shaft		39420		495-AX VP/ BR493	BR39590/ BR39520 ▲ SET408		
Navistar	38776	38780		BR47678/ BR47620	BR39585/ BR39520	Inner	38777
3							
Ford	38776	38780		BR47686/ BR47620 ▲ SET411	BR39590/ BR39520 ▲ SET408	Inner - Seal Kit Inner - Seal w/o Sleeve	1333 38777

For in-text symbols, see page 5A.

Mfr Line Number	Scotseal® PlusXL	Scotseal® Classic	Scotseal® Longlife	Inner (Cone/Cup)	Outer (Cone/Cup)	Grease Seal Location	Number
Spicer (continued)							
GMC - 5.506" Seal O.D. ...		38750		BR47686/ BR47620 ▲SET411	BR39590/ BR39520 ▲SET408		
GMC - 5.696" Seal O.D. ...	38776	38780		BR47686/ BR47620 ▲SET411	BR39590/ BR39520 ▲SET408		
Navistar	38776	38780		BR47686/ BR47620 ▲SET411	BR39590/ BR39520 ▲SET408	Inner	1333
4 Ford	◇ 47692 (Reorder:) 47691	47697 or 47698 ⁵	47693	594-A VP/ 592-A VP ▲SET403	BR580/ BR572 ▲SET401		
GMC - 6.006" Seal O.D. ...		47690		594-A VP/ 592-A VP ▲SET403	BR580/ BR572 ▲SET401		
GMC - 6.259" Seal O.D. ...	48002	48000		594-A VP/ 592-A VP ▲SET403	BR580/ BR572 ▲SET401		
GMC - 6.316" Seal O.D. ...	◇ 47692 (Reorder:) 47691	47697 or 47698 ⁵	47693	594-A VP/ 592-A VP ▲SET403	BR580/ BR572 ▲SET401		
Navistar	◇ 47692 (Reorder:) 47691	47697 or 47698 ⁵	47693	594-A VP/ 592-A VP ▲SET403	BR580/ BR572 ▲SET401		
5 Navistar - Exc. RA4, RA14 .				14132-T VP/ BR14276		Inner	13165
Navistar - RA4, RA14				15121-T/ BR15245		Inner	11081
						Outer	12508
6 Navistar - Exc. RA18, RA28..				3382-T/ BR3320		Inner	15649
Navistar - RA18, RA28 w/.766" Inner Brg. Width ...				BR10		Exc. AM80	20554
Navistar - RA18, RA28 w/.870" Inner Brg. Width ...				BR7		Inner	15141
						Outer	18731
7 Navistar				BR28584/ BR28521	BR25584/ BR25521	Inner - Exc. Dual Whls.	26921
						Inner - Dual Whls.	33073
8 Navistar - RA53, RA54				BR7		Inner	15141
Navistar - RA83, RA84				BR10		Outer	18545
						Inner	15141
						Outer	18731
9 GMC				387-A VP/ 382-A VP	LM104949 VP/ LM104911 ▲BR38	Inner	28425
Navistar				BR28995/ BR28920	LM104949 VP/ JLM104910	Inner	33073
10 3.000" Inner Cone I.D.	38776	38780		BR47678/ BR47620	BR39585/ BR39520		
3.250" Inner Cone I.D.		38747		BR47686/ BR47620 ▲SET411	BR39585/ BR39520		

Mfr Line Number	Scotseal® PlusXL	Scotseal® Classic	Scotseal® Longlife	Inner (Cone/Cup)	Outer (Cone/Cup)	Location	Grease Seal Number
-----------------	------------------	-------------------	--------------------	------------------	------------------	----------	--------------------

Spicer (continued)

11	3.000" Inner Cone I.D.		38750		BR47678/ BR47620 BR47686/ BR47620 ▲SET411	BR39585/ BR39520 BR39590/ BR39520 ▲SET408	
	3.250" Inner Cone I.D.	38776	38780				
12	45157	45160		594-A VP/ 592-A VP ▲SET403	BR580/ BR572 ▲SET401	
13	6.259" Seal O.D.	48002	48000		594-A VP/ 592-A VP ▲SET403	BR580/ BR572 ▲SET401	
	6.316" Seal O.D.	47692 (Reorder:) 47691	47697 or 47698 ⁵	47693	594-A VP/ 592-A VP ▲SET403	BR580/ BR572 ▲SET401	
14	34994	35000		BR33281/ BR33462	BR39585/ BR39520	

Sterling Axle Model Index

Model	Capacity	See	Line No.	Model	Capacity	See	Line No.
CC20	1	HB1904	4
CC235	1	HB2001	6
DD115	2	HB2001D	6
DD145	4	HB2254	6
DD145H	4	HD110	3
DD150	3	HD135	3
DDS135	2	HD145	6
DDS150	3	HD145H	6
HA1601	1	HDS140	3
HA1701	1	HWS160H	3
HB1101	5	HWS235	1
HB1604	2	HWS235G	1
HB1701	1	HWS235H	1

Mfr Line Number	Scotseal® PlusXL	Scotseal® Classic	Scotseal® Longlife	Inner (Cone/Cup)	Outer (Cone/Cup)	Location	Grease Seal Number
-----------------	------------------	-------------------	--------------------	------------------	------------------	----------	--------------------

Sterling

1						Inner Seal Kit 4.766" Shaft 1256 Inner Seal Kit 4.824" Shaft 54935
2						Axle Shaft 22446 Inner 49928
3						Axle Shaft 22492
4						Axle Shaft 25043 Inner 47394

Mfr Line Number	Scotseal® PlusXL	Scotseal® Classic	Scotseal® Longlife	Inner (Cone/Cup)	Outer (Cone/Cup)	Grease Seal Location	Number
-----------------	------------------	-------------------	--------------------	------------------	------------------	----------------------	--------

Sterling (continued)

5							
		42800					
6						Axle Shaft Exc. HB2001, HD2001D 26209	
						Axle Shaft HB2001, HD2001D 26220	

Superior Axle Model Index

Model	Capacity	See	Line No.	Model	Capacity	See	Line No.
AG3102			1	SG04			1
AG3302			1				

Mfr Line Number	Scotseal® PlusXL	Scotseal® Classic	Scotseal® Longlife	Inner (Cone/Cup)	Outer (Cone/Cup)	Grease Seal Location	Number
-----------------	------------------	-------------------	--------------------	------------------	------------------	----------------------	--------

Superior

1							
		42800					

Twin Coach Axle Model Index

Model	Capacity	See	Line No.	Model	Capacity	See	Line No.
35G			4	45S			4
35R			4	4877W			5
35S			4	50S			4
40GGT			5	FL30			1
40R			5	FL33			2
41G			4	FL35			2
41R			4	FL40			2
41S			4	FT30			3
44GTT			5	FT33			2
44R			5	FT35			2
44S			4	FT40			2
44TTW			5	FT40DL			2

Mfr Line Number	Scotseal® PlusXL	Scotseal® Classic	Scotseal® Longlife	Inner (Cone/Cup)	Outer (Cone/Cup)	Grease Seal Location	Number
-----------------	------------------	-------------------	--------------------	------------------	------------------	----------------------	--------

Twin Coach

1 1953						Inner Seal Kit 4.766" Shaft 1255 Outer Seal Kit 31378	
1952		42800				Inner Seal Kit 4.824" Shaft 54930	
2						Inner Seal Kit 4.766" Shaft 1255 Outer Seal Kit 8 Bolt Holes 31378 Inner Seal Kit 4.824" Shaft 54930	
3							
		42800					

Mfr Line Number	Scotseal® PlusXL	Scotseal® Classic	Scotseal® Longlife	Inner (Cone/Cup)	Outer (Cone/Cup)	Grease Seal Location	Number
--------------------	---------------------	----------------------	-----------------------	---------------------	---------------------	-------------------------	--------

Twin Coach (continued)

4						Axle Shaft	22492
5						Inner	24931

United Diesel - See Nissan

Volvo Axle Model Index

Model	Capacity	See	Line No.	Model	Capacity	See	Line No.
23121			6	F613			2
23421			6	F614			2
EV85			4	F615			3
F607			1	F616			3
F609			1	F7			4
F610			1	F86			4
F611			2	N10			5
F612			2	N11			4

Mfr Line Number	Scotseal® PlusXL	Scotseal® Classic	Scotseal® Longlife	Inner (Cone/Cup)	Outer (Cone/Cup)	Grease Seal Location	Number
--------------------	---------------------	----------------------	-----------------------	---------------------	---------------------	-------------------------	--------

Volvo

1						Inner - F609	43310
2				BR33018	BR32208		
3	45157	45160		BR594/ 592-A VP	BR580/ BR572 ▲SET401		
4				BR683/ BR672	BR633/ BR653		
5				BR683/ BR672	BR663/ BR653 ▲SET405		
6	47692 (Reorder: 47691)	47697 or 47698 ⁵	47693	594-A VP/ 592-A VP ▲SET403	BR580/ BR572 ▲SET401		

Ward LaFrance Axle Model Index

Model	Capacity	See	Line No.	Model	Capacity	See	Line No.
120			8	56QD			9
120 Tractor			4	58			9
150			8	59			8
400R1-44			5	600R1-44			6
400RD1-44			5	600R53-66			1
500R1-44			4	700R53-66			1
500R66			7	700RD1-44			6
500RD1-44			4	75			9
500RD53			7	82			9
500RD66			7	83			9
56			9	85			8
56H			9	D1T			2
56LD			9	D1T2			2

For in-text symbols, see page 5A.

Ward LaFrance Axle Model Index (continued)

Model	Capacity	See	Line No.	Model	Capacity	See	Line No.
D1T4			2	D590T			4
D2			3	D5NT			2
D2B			3	D5NT4			2
D2BF			3	D5RT			2
D2BG			4	D5RT4			2
D2BH			1	D5T			2
D2K			3	D5T4			2
D2KH			1	D610T			1
D2KT			2	D650T			1
D2Z			3	DS5H			1
D2ZF			3	F3SH			1
D2ZG			4	FD1			6
D2ZH			1	FD2			6
D2ZT			2	G310S			5
D310S			5	G340S			4
D340S			4	G400S			6
D3F			3	G490T			7
D3G			4	G530T			7
D3H			1	G550T			4
D3SF			1	G590T			4
D3SG			4	G610T			1
D3ST			2	G650T			1
D3T			2	W5N			4
D3T2			2	W5RB			4
D3T4			2				
D400S			6				
D490T			7				
D530T			7				
D550T			4				

Mfr Line Number	Scotseal® PlusXL	Scotseal® Classic	Scotseal® Longlife	Inner (Cone/Cup)	Outer (Cone/Cup)	Grease Seal Location	Number
--------------------	---------------------	----------------------	-----------------------	---------------------	---------------------	-------------------------	--------

Ward LaFrance

1						Inner Seal Kit 4.766" Shaft 1256 Inner Seal Kit 4.824" Shaft 54935	
2						Axle Shaft 22492	
3						Inner Seal Kit 4.766" Shaft 1256 Inner Seal Kit 4.824" Shaft 54935	
4						Inner Seal Kit 4.766" Shaft 1255 Outer Seal Kit Exc. D2ZG, D3G, D3SG 31378 Inner Seal Kit 4.824" Shaft 54930	
5						Inner Seal Kit 4.766" Shaft 1255 Inner Seal Kit 4.824" Shaft 54930	
6						Axle Shaft FD1, FD2 24931	

A P P L I C A T I O N S

TRAILER, TAG & PUSHER AXLES

FRONT AXLES

DRIVE AXLES

MEDIUM TRUCK

Mfr Line Number	Scotseal® PlusXL	Scotseal® Classic	Scotseal® Longlife	Inner (Cone/Cup)	Outer (Cone/Cup)	Grease Seal Location	Number
Ward LaFrance (continued)							
7						Inner Seal Kit Exc. Alum. Hub w/4.766" Shaft	1255
						Seal Kit - Alum. Hub	52445
						Seal Kit - Exc. Alum. Hub w/4.824" Shaft	54930
8		42800					
9						Outer - 2.375" Shaft	23685
						Outer - Seal Kit w/2.500" Shaft	25160
						Inner	39385

White Axle Model Index

Model	Capacity	See	Line No.	Model	Capacity	See	Line No.
102C			24	202C			24
105C			2	205C			26
106C	17000 lbs.	Meritor H100		205CA			26
106CE	17500 lbs.		3	205CC			26
107C			9	205CD			26
107CA			25	206C	17000 lbs.	Meritor H200	
107CD			25	207C			27
108C	18000 lbs.	Meritor L100		208C	18500 lbs.	Meritor L200	
108C	18500 lbs.		20	209C			28
109C	14000 lbs.		4	210C			28
116C	13000 lbs.	Meritor E100		211C	23000 lbs.		5
118C	17000 lbs.	Meritor H150		212C	23000 lbs.	Meritor R223	
124C	21000 lbs.		1	213C	29000 lbs.		7
124CL	21000 lbs.		1	214C	29000 lbs.		7
125C	22000 lbs.	Meritor Q100		215C	23000 lbs.	Meritor R221	
130C	22000 lbs.		1	216C	13000 lbs.	Meritor E200	
132C	23000 lbs.	Meritor R101		216C	13000 lbs.	Meritor E300	
133C	23000 lbs.		1	220C	22000 lbs.	Eaton 2750	
134C	23000 lbs.		5	221C	22000 lbs.	Eaton 2750	
134CL	23000 lbs.		5	223C	18000 lbs.	Eaton 7800	
135C	23000 lbs.	Meritor R101A		223C	18500 lbs.		22
136C	16000 lbs.		15	225C	22000 lbs.		23
136C	17000 lbs.	Meritor H140		225C	23000 lbs.	Meritor Q200	
136CA	17000 lbs.	Meritor H140		229C	22000 lbs.	Eaton 8800	
136CB	17000 lbs.	Meritor H140		232C	23000 lbs.	Meritor R201	
137C			1	233C			5
138C	18500 lbs.	Meritor L140		235C	22400 lbs.		15
138C	18500 lbs.	Meritor L145		235C	23000 lbs.	Meritor R201	
140C	22000 lbs.	Meritor QT140		237C	20000 lbs.		1
143C	22000 lbs.		1	237C	23000 lbs.	Meritor R230	
144C	11000 lbs.	Meritor C100		238C	18500 lbs.	Meritor L240	
145C	13000 lbs.	Meritor D100		239C	22400 lbs.		1
170C			6	239C	23500 lbs.	Meritor R230	
17121			33	240C	29000 lbs.		8
17221			33	245C			1
18201			34	24C			6
18221			34	26121			34
1890A	22400 lbs.		15	282C			8
189C	22400 lbs.		5	282CA			8
189CA	22400 lbs.		15	282CB			8
189CD	22400 lbs.		5	282CC			8
19121			34	282CE			8
1919			35	282CF			8
19221			34	282CG			8
199C	23000 lbs.		5	282CH			8

For in-text symbols, see page 5A.

White Axle Model Index (continued)

Model	Capacity	See	Line No.	Model	Capacity	See	Line No.
282CI			8	342C	17000 lbs.		3
282CJ			8	343C	15000 lbs.	Eaton 13800	
282CK			8	344C	22400 lbs.		1
282CL			8	344C	23000 lbs.	Meritor RT340	
289C			8	345C	22000 lbs.		1
292C			8	345C	23000 lbs.	Meritor Q345	
293C	36000 lbs.		8	346C	13000 lbs.		10
294C			8	347C	23000 lbs.	Eaton 20801	
294CA			8	349C			11
294CB			8	34C			30
295D			8	34CL			31
302C			24	34D			33
303C			29	350C			11
304C			29	351C			12
306C	17000 lbs.	Meritor H300		352	22400 lbs.		12
308C	18500 lbs.	Meritor L300		352C			12
309C	14000 lbs.		4	35327			36
309C	18500 lbs.	Meritor F345		382C			8
311C	22400 lbs.		1	389	22400 lbs.		15
311C	23000 lbs.	Meritor R321		389C	22000 lbs.	Meritor QT365	
312C			7	389CA	22000 lbs.	Meritor QT365	
315C	22400 lbs.		1	389TC	23000 lbs.	Meritor RT340	
315C	23000 lbs.	Meritor R301		389TCL	23000 lbs.	Meritor RT340	
316C	13000 lbs.	Meritor E300		38C	21000 lbs.	Eaton 18100	
317C	13500 lbs.	Eaton 13600		38C	21000 lbs.	Eaton 18101	
317C	15000 lbs.		23	38D			34
318C	16000 lbs.	Eaton 16600		38DS (9/81 & Later)			37
319C	18500 lbs.	Eaton 17600		400C	26000 lbs.	Eaton 36M	
320C	22000 lbs.	Eaton 18500		401C	60000 lbs.		7
320C	22000 lbs.	Eaton 18501		401C	65000 lbs.	Meritor SFD4600	
321C	23000 lbs.	Eaton 20500		402C	28000 lbs.	Eaton 28M	
321C	23000 lbs.	Eaton 20501		403C	22000 lbs.	Eaton 22M	
322C	23000 lbs.	Meritor R301		404C	50000 lbs.		7
322CL			33	404C	36000 lbs.	Meritor SW456	
323C	18500 lbs.	Eaton 17800		404CB	36000 lbs.	Meritor SW456	
324C	29000 lbs.	Eaton 22500		405C	36000 lbs.		18
324C	29000 lbs.	Eaton 22501		406C	36000 lbs.	Meritor SLD	
325C	22000 lbs.	Meritor Q300		406C	34000 lbs.		20
325C	22000 lbs.	Meritor QT300		407C	32000 lbs.	Eaton 32M	
327C	22000 lbs.	Meritor Q300		407CA	32000 lbs.	Eaton 32M	
328C	23000 lbs.	Eaton 19500		408C	34000 lbs.	Meritor SW3020	
328C	23000 lbs.	Eaton 19501		409C	50000 lbs.	Meritor SW457	
328CB	23000 lbs.	Eaton 19500		409CA	50000 lbs.	Meritor SW457	
328CB	23000 lbs.	Eaton 19501		410CA			19
329C	21000 lbs.	Eaton 18800		411C	34000 lbs.	Meritor SLDD	
329C	21000 lbs.	Eaton 18803		412C	38000 lbs.	Meritor SQD	
329CE	21000 lbs.	Eaton 18800		412CA	38000 lbs.	Meritor SQD	
329CE	21000 lbs.	Eaton 18803		413C	38000 lbs.	Meritor SQDD	
330C	23000 lbs.	Eaton 19800		413CA	38000 lbs.	Meritor SQDD	
333C	20000 lbs.		1	414C	38000 lbs.	Meritor SQD	
333C	22000 lbs.	Meritor Q245		415C	60000 lbs.		7
333C	22000 lbs.	Meritor Q345		415C	65000 lbs.	Meritor SFDD4600	
333C	22000 lbs.	Meritor QT345		417C	44000 lbs.	Meritor SRDD	
333TC	23000 lbs.	Meritor RT340		418C	34000 lbs.	Meritor SLHD	
333TCL	23000 lbs.	Meritor RT340		418CA	34000 lbs.	Meritor SLHD	
335C	23000 lbs.	Meritor R301		41C			10
335CL	23000 lbs.	Meritor R301		41CL			10
336C	17000 lbs.	Meritor H340		420C	38000 lbs.	Meritor SQDD	
337C			6	421C	44000 lbs.	Meritor SRDD	
338C	18500 lbs.	Meritor L340		422C	34000 lbs.	Meritor SLDD	
339C	22000 lbs.	Meritor QT340		423C	34000 lbs.	Meritor SLD	
33C			9	424C	38000 lbs.	Meritor SQD	
33C6			9	425C	38000 lbs.	Meritor SQHD	
33C6A			9	426C	38000 lbs.	Eaton 38DS	
33C6B			9	426C	38000 lbs.	Eaton 38RS	
33CAB			9	427C	34000 lbs.	Eaton 34RS	
33CAC			9	427C	34000 lbs.	Eaton 34DS	
33CAL			9	428C	55000 lbs.	Meritor SUDD	
33CAM			9	429C	44000 lbs.	Meritor SRHD	
33CAR			9	430C	32000 lbs.	Meritor SJHD	
340C			6	431C	34000 lbs.	Eaton 34DS	
341C	16000 lbs.	Eaton 16500		431C	34000 lbs.	Eaton 34RS	

**A
P
P
L
I
C
A
T
I
O
N
S**

**T
R
A
I
L
E
R
,
T
A
G
&
P
U
S
H
E
R
A
X
L
E
S**

**F
R
O
N
T
A
X
L
E
S**

**D
R
I
V
E
A
X
L
E
S**

**M
E
D
I
U
M
T
R
U
C
K**

For in-text symbols, see page 5A.

White Axle Model Index (continued)

Model	Capacity	See	Line No.	Model	Capacity	See	Line No.
432C	30000 lbs.		3	90C		Meritor SD3010	
433C	38000 lbs.	Eaton 38DP		90CE		Meritor SD3010	
433C	38000 lbs.	Eaton 38RP		91C	65000 lbs.	Meritor SFD460	
434C	32000 lbs.		3	93C	65000 lbs.	Meritor SFD460	
436C	34000 lbs.	Eaton 34D3		94C	65000 lbs.	Meritor SFD460	
437C	38000 lbs.	Eaton 38D3		94CA	65000 lbs.	Meritor SFD460	
438C	34000 lbs.	Eaton 34RS		95C		Meritor SBD1055	
439C	38000 lbs.		11	96C			8
439C	34000 lbs.	Eaton 38DP		96CA			8
439C	38000 lbs.	Eaton 38RP		96CB			8
43C			13	96CD			8
440C	44000 lbs.		5	96CE			8
44C			29	96CF			8
450C	36000 lbs.		14	96CG			8
451C	40000 lbs.		15	96CH			8
452C	36000 lbs.		14	96CI			8
45C			13	96CJ			8
48C			10	96CK			8
59C		Meritor 53622		98C			32
66C		Meritor 76410		98CA			32
67C	16000 lbs.	Eaton 16000		99C			32
74C		Meritor SD353		99CA			32
75C		Meritor SBD1500		99CB			32
77C		Meritor SW3002		D340			33
78C		Meritor 59038		D380			34
81C			16	D400 (9/81 & later)			34
82C			17	DP480P (9/81 & later)			37
82CA			13	DS440P (9/81 & later)			37
82CB			13	DS480P (9/81 & later)			37
82CC			13	DT440P (9/81 & later)			38
82CD			13	R155			37
82CE			13	SFDD4640			36
82CF			13	SLHD			39
82CG			13	SQ100			37
82CH			13	SQHD			37
82CI			13	SQHP			37
82CJ			13	SRDD			37
82CK			13	SSHD			38
82CL			13	STDDA			34
83C	36000 lbs.	Meritor SW3010		STHD			34
84C			16	SUDDB			34
85C	36000 lbs.	Meritor SW3012		SUHD			40
87C		Meritor SBD1555		TS135	36000 lbs.		1
87CE		Meritor SBD1555		TS135L	36000 lbs.		1
87CJ		Meritor SBD1555		TS150	40000 lbs.		1
87CK		Meritor SBD1555		U240			40
87CL		Meritor SBD1555		U340			40
87CM		Meritor SBD1555					
88C			8				
88CF			8				
88CG			8				
89C			8				
89CA			8				
89CB			8				
89CC			8				
89CD			8				
89CF			8				
89CG			8				

Mfr Line Number	Scotseal® PlusXL	Scotseal® Classic	Scotseal® Longlife	Inner (Cone/Cup)	Outer (Cone/Cup)	Grease Seal Location	Number
--------------------	---------------------	----------------------	-----------------------	---------------------	---------------------	-------------------------	--------

White

1	47692 (Reorder.) 47691	47697 or 47698 ⁵	47693	598-A VP/ 592-A VP ▲SET404	BR580/ BR572 ▲SET401		
---	------------------------------	--------------------------------	-------	----------------------------------	----------------------------	--	--

For in-text symbols, see page 5A.

Mfr Line Number	Scotseal® PlusXL	Scotseal® Classic	Scotseal® Longlife	Inner (Cone/Cup)	Outer (Cone/Cup)	Grease Seal Location	Number
White (continued)							
2		36365		BR560/ 552-A VP	BR39580/ BR39520	Axle Shaft	19615
						Outer	35593
						Inner	36363
3		39380		495-AX VP/ BR493	BR3984/ BR3920	Outer - 2.375" Shaft	23695
						Outer - Seal Kit w/2.500" Shaft	25160
4	34384	34387		BR33287/ BR33462	BR3982/ BR3920	Outer Seal Kit	23870
						Inner	34383
5		47699		681-A VP/ BR672	BR580/ BR572 ▲SET401		
6	◇ 47692 (Reorder: 47691)	47697 or 47698 ⁵	47693	598-A VP/ 592-A VP ▲SET404	BR580/ BR572 ▲SET401	Inner Seal Kit	1255
						Outer Seal Kit 8 Bolt Holes	31378
7		48884 [*] w/455019		BR760/ BR752	BR749/ BR742	Inner Seal Kit	54935
8		43860		BR598/ 592-A VP	BR575/ BR572	Axle Shaft	24931
						Inner	43820
9	40129	40136		BR575/ BR572	BR575/ BR572	Axle Shaft	21749
						Inner	41287
10		31323		BR3984/ BR3920	BR462/ 453-X VP	Inner Seal Kit	1333
11	38776	38780		598-A VP/ 592-A VP ▲SET404	BR575/ BR572		
Cast Whls.							
Disc. Whls.		43860		598-A VP/ 592-A VP ▲SET404	BR575/ BR572	Inner	43820
12	45157	45160		594-A VP/ 592-A VP ▲SET403	BR580/ BR572 ▲SET401	Inner	45150
4.500" Shaft							
4.766" Shaft	48002	48000		594-A VP/ 592-A VP ▲SET403	BR580/ BR572 ▲SET401		
13		43860		BR598/ 592-A VP	BR749/ BR742	Inner	43820
14		42800		BR582/ BR572 ▲SET402	BR42688/ BR42620		
4.266" Shaft							
4.766" Shaft		47699		681-A VP/ BR672	BR580/ BR572 ▲SET401	Outer Seal Kit 8 Bolt Holes	31378

APPLICATIONS

TRAILER, TAG & PUSHER AXLES

FRONT AXLES

DRIVE AXLES

MEDIUM TRUCK

Mfr Line Number	Scotseal® PlusXL	Scotseal® Classic	Scotseal® Longlife	Inner (Cone/Cup)	Outer (Cone/Cup)	Grease Seal Location	Number
-----------------	------------------	-------------------	--------------------	------------------	------------------	----------------------	--------

White (continued)

15	6.316" Seal O.D.	47692 (Reorder:) 47691	47697 or 47698 ⁵	47693	598-A VP/ 592-A VP ▲ SET404	BR580/ BR572 ▲ SET401	Inner Seal Kit 1255 Outer Seal Kit 8 Bolt Holes 31378
	7.006" Seal O.D.		47699		681-A VP/ BR672	BR580/ BR572 ▲ SET401	Outer Seal Kit 8 Bolt Holes 31378
16		48884		BR759/ BR752	BR749/ BR752	
17		43860		BR749/ BR742	BR580/ BR572 ▲ SET401	
18	3.000" Inner Cone I.D.	40129	40136 or 40139 ⁵		BR575/ BR572		
	3.250" Inner Cone I.D.	40129	40136 or 40139 ⁵		BR580/ BR572 ▲ SET401		
19		39380		495-AX VP/ BR493	BR39590/ BR39520 ▲ SET408	
20		42800		BR582/ BR572 ▲ SET402	BR42687/ BR42620	Inner 42800
21	38776	38780		BR47620/ BR47686	BR39590/ BR39520 ▲ SET408	Inner 38774
22				BR33281/ BR33462	BR39585/ BR39520	Inner 33136
23	38776	38780		BR5760/ BR5735	BR575/ BR572	Inner 38774
24						Outer 19350 Inner 40108
25						Outer 48726 Inner 48769
26						Outer 35593 Inner 36363
27						Outer Seal Kit 2.500" Shaft 25160 Inner 39385

For in-text symbols, see page 5A.

Mfr Line Number	Scotseal® PlusXL	Scotseal® Classic	Scotseal® Longlife	Inner (Cone/Cup)	Outer (Cone/Cup)	Grease Seal Location	Number
White (continued)							
28						Outer	52488
						Inner	56136
29						Axle Shaft	21749
						Inner - 5.004"	41125
						Inner - 5.756"	41287
						Seal O.D.	
30						Outer	21749
						Inner	43691
31						Outer	48726
						Inner	49966
32						Inner - 98C	
						Series	36363
						Inner - 99C	
						Series	40108
33	38776	38780		BR47686/ BR47620 ▲SET411	BR39590/ BR39520 ▲SET408		
34		47699		BR683/ BR672	BR580/ BR572 ▲SET401		
35	45157	45160		BR594/ 592-A VP	BR580/ BR572 ▲SET401		
36		48884		BR760/ BR752	BR749/ BR742		
37	◇47692 (Reorder:) 47691	47697	47693	594-A VP/ 592-A VP ▲SET403	BR580/ BR572 ▲SET401		
38	◇47692 (Reorder:) 47691	47697	47693	598-A VP/ 592-A VP ▲SET404	BR580/ BR572 ▲SET401		
39		42800		BR582/ BR572 ▲SET402	BR42687/ BR42620		
40		55177* w/455054		BR782/ BR772	BR749/ BR742		

**A
P
P
L
I
C
A
T
I
O
N
S**

**T
R
A
I
L
E
R
,
T
A
G
&
P
U
S
H
E
R
A
X
L
E
S**

**F
R
O
N
T
A
X
L
E
S**

**D
R
I
V
E
A
X
L
E
S**

**M
E
D
I
U
M
T
R
U
C
K**

NOTES

TRAILER, TAG &
PUSHER AXLES

FRONT
AXLES

**DRIVE
AXLES**

MEDIUM
TRUCK

Medium duty manufacturer to model index

Chevrolet/GMC Truck

Tiltmaster / Transmode, 1 1/2 Ton, 2 Ton, 2 1/2 Ton, W Series, 40 Series/ 4500 Series, 50 Series/5500 Series, 60 Series/6500 Series, 70 Series/ 7500 Series, 80 Series.....	188
---	-----

Dodge Truck

1 1/2 Ton, 2 Ton, 400 Series, 500 Series, Ram 4500, Ram 5500.....	194
--	-----

Ford Truck

1 1/2 Ton, 2 1/2 Ton, 400 Series, 450 Series, F450, F450(Super Duty), 500 Series, 550 Series, F550(Super Duty), 600 Series, 700 Series, 800 Series.....	195
---	-----

Freightliner

FL60	199
FL70	199
M2 106.....	200
M2 112.....	200
MT45	200

Fuso Truck (See Mitsubishi Fuso Truck)

Hino Truck

FA, FB	201
FD	201
FE	201
FF	201
FG	201
GC	201
SF	201
SG	202
145, 165	202
185	202
238	202
258ALP	202
258LP.....	202
268	203
268A.....	203
338	203

IHC Light Truck

4300	203
4700	203
4900	204

Isuzu Truck

EVR, FRR, FSR, FTR, HTR, HVR, NPR, NQR, NRR.....	204
---	-----

Mitsubishi Fuso Truck

FE, FE120, FE125, FE140, FE145, FE180, FG, FG140, FK, FK200, FK260, FM.....	205
---	-----

RAM Truck

1 1/2 Ton, 2 Ton, 4500 Series, 5500 Series.....	205
--	-----

UD Truck

2300DH, 2300LP.....	205
2600	205
3300	205

Chevrolet/GMC Truck Tiltmaster/Transmode, 1 1/2 ton, 2 ton, 2 1/2 ton, 40 series/4500 series, 50 series/5500 series, 60 series/6500 series, 70 series/7500 series, 80 Series, W series

MFG./YEAR	MODEL & LOCATION	PART NO.	MFG./YEAR	MODEL & LOCATION	PART NO.
Wheel Front			Wheel Front (Cont.)		
2009-2007	W5500HD:		1991-1963	F050 & F055 Axles:	
	Seal	28325		Seal	25028
	Bearing (Inner)	BR32210		(V-Ring)	400659
	Bearing (Outer)	BR32207		Bearing (Inner)	3578-A/BR3525
2002-1992	W4 & W4500:			Bearing (Outer)	BR100
	Seal	28325		(Set Components)	15103-S VP/BR15243
	Bearing (Inner)	BR32210	1990	14,000 lb. Axle w/ Air Brks.:	
	Bearing (Outer)	BR32207		Bearing (Inner)	JF7049A/7010
2000-1997	9000 lb., 9200 lb., 10,000 lb. & 11,000 lb. G.V.W.:			Bearing (Outer)	JM205149AS/110
	Seal	21756		(Set Components)	JM205149AS/JM205110
	Bearing (Inner)	BR35	1990-1985	F120 & F120D Axles:	
	(Set Components)	LM501349 VP/LM501310 VP		Scotsseal	36358
	Bearing (Outer)	BR100		Bearing (Inner)	SET412
	(Set Components)	15103-S VP/BR15243		(Set Components)	HM212047 VP/HM212011 VP
2000-1997	15,000 lb. GVW:			Bearing (Outer)	BR45282/BR45220
	Seal Kit	21294	1990-1960	F070, F070D & IFS70 Axles:	
	Bearing (Inner)	BR26884/BR26823		Seal	31203
	Bearing (Outer)	BR100		Scotsseal	31175
	(Set Components)	15103-S VP/BR15243		Bearing (Inner)	SET410
1996-1992	12,000 lb. Axle:			(Set Components)	BR45284/BR45220
	Scotsseal Plus XL	29400		Bearing (Outer)	BR2796/BR2720
	Bearing (Outer)	BR32208	1988-1973	F090 Axle:	
1996-1990	11,000 lb. Axle:			Scotsseal	32470
	Scotsseal Plus XL	29400		Bearing (Inner)	BR39581/BR39520
	Bearing (Outer)	BR33208		Bearing (Outer)	BR26878/BR26820
1993	9000 lb. Axle:		1987	W6:	
	Scotsseal Plus XL	29400		Seal	29650
	Bearing (Inner)	33212-X		Bearing (Inner)	BR47
	Bearing (Outer)	BR33208		Bearing (Outer)	BR44
1993	16,000 lb. Axle w/ Air Brks. w/o 20" Whls.:		1987-1986	W7H & W7T:	
	Scotsseal	43764		Seal	47210
	Scotsseal Plus XL	43761	1987-1984	W7 & W7M:	
	Bearing (Inner)	SET423		Seal	33460
	(Set Components)	6461-A VP/BR6420	1986-1983	Coleman SD9 & SD12 Axles:	
	Bearing (Outer)	SET424		Bearing	[2] BR36690/BR36620
	(Set Components)	555-S VP/552-A VP	1984-1973	F120 & F120D Axles:	
1993	16,000 lb. Axle w/ Air Brks. & 20" Whls.:			Scotsseal	36285
	Scotsseal	43764		Bearing (Inner)	SET412
	Scotsseal Plus XL	43761		(Set Components)	HM212047 VP/HM212011 VP
	Bearing (Inner)	SET423		Bearing (Outer)	BR45282/BR45220
	(Set Components)	6461-A VP/BR6420	1978-1973	Transmode:	
	Bearing (Outer)	557-S VP/552-A VP		Seal (Inner)	25515
1993-1991	12,000 lb. Axle w/ Air Brks. (2nd Design); 14,500 lb. Axle:			Seal (Outer)	24888
	Bearing (Inner)	JF7049A/7010		Bearing	BR23
	Bearing (Outer)	JM205149AS/110	1972-1967	F110, F120 & F120D Axles:	
	(Set Components)	JM205149AS/JM205110		Scotsseal	36285
1993-1990	8000 lb. Axle:			Bearing (Inner)	SET412
	Scotsseal Plus XL	23590		(Set Components)	HM212047 VP/HM212011 VP
	Bearing (Inner)	JM205149AS/110		Bearing (Outer)	BR45282/BR45220
	(Set Components)	JM205149AS/JM205110	1972-1960	F090 Axle:	
	Bearing (Outer)	BR32207		Bearing (Inner)	BR39581/BR39520
1993-1990	11,000 lb. Axle; 12,000 lb. Axle w/ Hyd. Brks.:			Bearing (Outer)	BR26878/BR26820
	Scotsseal Plus XL	29400	1971-1969	F040 Axle:	
	Bearing (Inner)	33212-X		Seal	21771
	Bearing (Outer)	BR33208		Bearing (Inner)	BR2777/BR2720
1991	12,000 lb. Axle w/ Air Brks. (1st Design):			Bearing (Outer)	BR3
	Scotsseal Plus XL	29400		(Set Components)	M12649 VP/M12610 VP
	Bearing (Inner)	33212-X			(Continued)
	Bearing (Outer)	BR33208			

♦ Use Existing Part Number to Depletion, Then Reorder New Number Listed Below. [] Indicates Quantity Required.

Chevrolet/GMC Truck Tiltmaster/Transmode, 1 1/2 ton, 2 ton, 2 1/2 ton, 40 series/4500 series, 50 series/5500 series, 60 series/6500 series, 70 series/7500 series, 80 Series, W series -- (Cont.)

MFG./YEAR	MODEL & LOCATION	PART NO.	MFG./YEAR	MODEL & LOCATION	PART NO.
Wheel Front (Cont.)			Wheel Front (Cont.)		
1968-1965	F040 Axle 2nd Design:		1959-1955	FE900 Axle:	
	Bearing (Inner)	BR25582/BR25520		Scotseal	35075
	Bearing (Outer)	BR3		Bearing (Inner)	SET439
	(Set Components)	M12649 VP/M12610 VP		(Set Components)	HM212049-X VP/HM212011 V
1966-1962	FD070 & FHD070 Axles:			Bearing (Outer)	SET406
	Bearing	[2] BR36690/BR36620		(Set Components)	BR3782/BR3720
1966-1960	F150 Axle:		1959-1938	4100, 4400 & 4500 Series w/ Lt. Duty Axles:	
	Seal	40036		Seal (2.063" Shaft)	20669
	Scotseal	40040		Seal (2.094" Shaft)	20975
	Bearing (Inner)	6386-A/BR6320		Bearing (Inner)	B44
1966-1960	IFS90 Axle:			Bearing (Outer)	B45
	Seal	32510	1955	F045 & F047 Axles:	
	Scotseal	32470		Seal	25597
	Bearing (Inner)	BR39581/BR39520		Bearing (Inner)	BR3578/BR3525
	Bearing (Outer)	BR26878/BR26820	1955-1954	6700 Series:	
1965	F050 & F055 Axles w/o 5 Spoke Whls.:			Seal	19938
	Seal	25028		Bearing (Outer)	BR100
	Bearing (Inner)	3578-A/BR3525		(Set Components)	15103-S VP/BR15243
	Bearing (Outer)	BR100	1954-1953	GMC Axle:	
	(Set Components)	15103-S VP/BR15243		Bearing (Inner)	BR100
1965	F050 & F055 Axles w/ 5 Spoke Whls.:			(Set Components)	15103-S VP/BR15243
	Seal	31203	1954-1952	FE900 Axle:	
	Scotseal	31175		Scotseal	35075
	Bearing (Inner)	3578-A/BR3525		Bearing (Inner)	557-A/552-A VP
	Bearing (Outer)	BR100		Bearing (Outer)	SET406
	(Set Components)	15103-S VP/BR15243		(Set Components)	BR3782/BR3720
1965-1963	F040 Axle 1st Design:		1954-1950	485F & 486F Axles:	
	Seal	21771		Seal	31158
	Bearing (Inner)	BR2777/BR2720		Bearing (Inner)	BR594/BR522
	Bearing (Outer)	BR3	1954-1950	585F & 586F Axles:	
	(Set Components)	M12649 VP/M12610 VP		Seal	32540
1965-1960	F110 Axle:			Scotseal	32470
	Scotseal	36285	1954-1947	F460, F462, F464 & F466 Axles:	
	Bearing (Inner)	SET412		Seal (2.250" Shaft)	22583
	(Set Components)	HM212047 VP/HM212011 VP		Seal (2.375" Shaft)	23779
	Bearing (Outer)	BR3779/BR3720	1950-1947	475F Axle:	
1965-1954	IFS050 & IFS055 Axles:			Bearing (Inner)	BR594/BR522
	Seal	24920	Axle Shaft		
	Bearing (Inner)	BR25582/BR25519	1966-1962	FD070 Axle:	
	Bearing (Outer)	BR100		Seal	18549
	(Set Components)	15103-S VP/BR15243		Seal Kit	18550
1962-1960	40 & 45 Series w/ Lt. Duty Axles:		Steering Knuckle		
	Seal	20965	1966-1962	FD070 & FHD070 Axles:	
	Bearing (Inner)	B48		Bearing	[2] BR43125/BR43312
	Bearing (Outer)	B47	Wheel Rear		
1959-1956	27465 Axle:		2000-1997	15,000 lb. GVW:	
	Seal	40036		Seal	31870
	Scotseal	39380		Bearing (Inner)	KD12051-Z
	Bearing (Inner)	BR6389/BR6320		(Set Components)	395-CS/394-CS
1959-1955	F070 Axle:			Bearing (Outer)	KB11786-Y
	Seal	31158		(Set Components)	BR387/BR382
	Bearing (Outer)	BR2793/BR2720			(Continued)
1959-1955	F090 Axle:				
	Scotseal	35066			
	Scotseal Plus XL	35058			
	Scotseal Longlife	35103			
	Bearing (Inner)	BR39581/BR39520			
	Bearing (Outer)	BR26878/BR26820			

APPLICATIONS

TRAILER, TAG & PUSHER AXLES

FRONT AXLES

DRIVE AXLES

MEDIUM TRUCK

(Cont.) -- Chevrolet/GMC Truck Tiltmaster/Transmode, 1 1/2 ton, 2 ton, 2 1/2 ton, 40 series/4500 series, 50 series/5500 series, 60 series/6500 series, 70 series/7500 series, 80 Series, W series

MFG./YEAR	MODEL & LOCATION	PART NO.	MFG./YEAR	MODEL & LOCATION	PART NO.
Wheel Rear (Cont.)			Wheel Rear (Cont.)		
1993-1991	Eaton 23070S, 23070T, 23105S, 26085P & 26085T Axles w/6.316" O.D.; Rockwell RS23160 Axle w/6.316" O.D.:		1990-1982	GMC H110 & H135 Axles:	
	Scotseal	47697		Scotseal	31323
	Scotseal Plus XL	47692		Bearing (Inner)	BR3984/BR3920
	(Reorder:)	47691		Bearing (Outer)	SET407
	Scotseal Longlife	47693		(Set Components)	BR28682/BR28622
	Bearing (Inner)	SET403	1990-1982	GMC H150 & T150 Axles:	
	(Set Components)	594-A VP/592-A VP		Scotseal	39420
	Bearing (Outer)	SET401		Bearing (Inner)	BR33287/BR33462
	(Set Components)	BR580/BR572		Bearing (Outer)	BR3982/BR3920
1993-1991	Eaton 23070S, 23070T, 23105S, 26085P & 26085T Axles w/6.326" O.D.:		1990-1979	GMC H175 & T170 Axles; Rockwell L172 Axle; Spicer G175T Axle:	
	Scotseal Plus XL	47691		Scotseal	39420
	Bearing (Inner)	SET403		Bearing (Inner)	495-AX VP/BR493
	(Set Components)	594-A VP/592-A VP		Bearing (Outer)	SET408
	Bearing (Outer)	SET401		(Set Components)	BR39590/BR39520
	(Set Components)	BR580/BR572	1990-1976	Eaton 17101, 17121, 17201 & 17221 Axles 2nd Design:	
1993-1990	Eaton 19050S, 19050T, 19055D, 19055S & 19055T Axles:			Scotseal	38780
	Scotseal	38780		Scotseal Plus XL (5.696" O.D.)	38776
	Scotseal Plus XL (5.696" O.D.)	38776		Bearing (Inner)	SET411
	Bearing (Inner)	SET411		(Set Components)	BR47686/BR47620
	(Set Components)	BR47686/BR47620		Bearing (Outer)	SET408
	Bearing (Outer)	SET408		(Set Components)	BR39590/BR39520
	(Set Components)	BR39590/BR39520	1989-1988	Eaton 22065S & 22065T Axles:	
1993-1990	Eaton 21065D, 21065S, 21065T, 22065S, 22065T, 23070P & 23085C Axles:			Scotseal	47697
	Scotseal	47697		Scotseal Plus XL	47692
	Scotseal Plus XL	47692		(Reorder:)	47691
	(Reorder:)	47691		Scotseal Longlife	47693
	Scotseal Longlife	47693		Bearing (Inner)	SET403
	Bearing (Inner)	SET403		(Set Components)	594-A VP/592-A VP
	(Set Components)	594-A VP/592-A VP		Bearing (Outer)	SET401
	Bearing (Outer)	SET401		(Set Components)	BR580/BR572
	(Set Components)	BR580/BR572	1989-1983	Eaton 19050S & 19050T Axles:	
1993-1988	Eaton 15040S & 15040T Axles:			Scotseal	38780
	Scotseal	39380		Scotseal Plus XL (5.696" O.D.)	38776
	Bearing (Inner)	BR33287/BR33462		Bearing (Inner)	SET411
	Bearing (Outer)	BR3982/BR3920		(Set Components)	BR47686/BR47620
1990-1984	Eaton DS381, DT381, 23070S, 23070T, 23105S, 26085P, 26085S & 26085T Axles; Rockwell R170, RS21145, R23160 & RS23180 Axles:			Bearing (Outer)	SET408
	Scotseal	47697		(Set Components)	BR39590/BR39520
	Scotseal Plus XL	47692	1989-1983	Eaton 21065S & 21065T Axles; Rockwell SQ100 Axle; Spicer M220S & M220T Axles:	
	(Reorder:)	47691		Scotseal	47690
	Scotseal Longlife	47693		Bearing (Inner)	SET403
	Bearing (Inner)	SET403		(Set Components)	594-A VP/592-A VP
	(Set Components)	594-A VP/592-A VP		Bearing (Outer)	SET401
	Bearing (Outer)	SET401		(Set Components)	BR580/BR572
	(Set Components)	BR580/BR572	1988	Eaton 17401 Axle:	
1990-1984	Eaton 22121, 22221, 23121 & 23221 Axles:			Bearing (Inner)	SET411
	Scotseal	47697		(Set Components)	BR47686/BR47620
	Scotseal Plus XL	47692		Bearing (Outer)	SET408
	(Reorder:)	47691		(Set Components)	BR39590/BR39520
	Scotseal Longlife	47693	1988	Eaton 21421 Axle:	
	Bearing (Inner)	SET403		Scotseal	47697
	(Set Components)	594-A VP/592-A VP		Scotseal Plus XL	47692
	Bearing (Outer)	SET401		(Reorder:)	47691
	(Set Components)	BR580/BR572		Scotseal Longlife	47693

Use Existing Part Number to Depletion, Then Reorder New Number Listed Below. [] Indicates Quantity Required.

(Continued)

Chevrolet/GMC Truck Tiltmaster/Transmode, 1 1/2 ton, 2 ton, 2 1/2 ton, 40 series/4500 series, 50 series/5500 series, 60 series/6500 series, 70 series/7500 series, 80 Series, W series -- (Cont.)

MFG./YEAR	MODEL & LOCATION	PART NO.	MFG./YEAR	MODEL & LOCATION	PART NO.
Wheel Rear (Cont.)			Wheel Rear (Cont.)		
1988-1983	Eaton 16121 Axle; Spicer G185S, G190S, M185T, M190S & M190T Axles:		1987-1979	Eaton 15040S, 15040T & 15101 Axles:	
Scotseal	39420	Seal	41550
Bearing (Inner)	SET411	Scotseal	39420
(Set Components)	BR47686/BR47620	Bearing (Inner)	BR33287/BR33462
Bearing (Outer)	SET408	Bearing (Outer)	BR3982/BR3920
(Set Components)	BR39590/BR39520	1983	GMC H172 Axle:	
1988-1983	Eaton 17421 & Rockwell Std. RS16140 Axles:		Seal	39385
Scotseal	38750	1983-1979	Eaton 22121, 22221, 23121 & 23221 Axles w/o Cast Whls.:	
Bearing (Inner)	SET411	Scotseal	47690
(Set Components)	BR47686/BR47620	Bearing (Inner)	SET404
Bearing (Outer)	SET408	(Set Components)	598-A VP/592-A VP
(Set Components)	BR39590/BR39520	Bearing (Outer)	SET401
1988-1976	Eaton DS341, DT341, 34DS, 34DT, 34D3 & 34RT Axles 2nd Design; GMC GM34000 Axle; Rockwell SLHD & SL100 Axles:		(Set Components)	BR580/BR572
Scotseal	38750	1983-1972	Eaton 22121, 22221, 23121 & 23221 Axles w/Cast Whls.:	
Bearing (Inner)	SET411	Scotseal	47690
(Set Components)	BR47686/BR47620	Bearing (Inner)	SET403
Bearing (Outer)	SET408	(Set Components)	594-A VP/592-A VP
(Set Components)	BR39590/BR39520	Bearing (Outer)	SET401
1987	W6:		(Set Components)	BR580/BR572
Seal (Inner)	37408	1982-1979	Eaton 18100, 18121 & 18200 Axles w/o Cast Whls.:	
Seal (Outer)	22284	Scotseal	47690
Bearing (Inner)	BR32215	Bearing (Inner)	SET404
Bearing (Outer)	BR32213	(Set Components)	598-A VP/592-A VP
1987-1986	W4:		Bearing (Outer)	BR575/BR572
Seal (Inner)	31490	1982-1979	Eaton 18100, 18121 & 18200 Axles w/Cast Whls.:	
Seal (Outer)	19333	Scotseal	47690
Bearing (Inner)	BR29586/BR29520	Bearing (Inner)	SET403
Bearing (Outer)	BR28680/BR28622	(Set Components)	594-A VP/592-A VP
1987-1986	W7H & W7T:		Bearing (Outer)	BR575/BR572
Seal (Inner)	46060	1982-1977	Rockwell Std. SQDD & SQHD Axles w/ Cast Whls.:	
Seal (Outer)	30771	Scotseal	48000
1987-1984	W7 & W7M:		Scotseal Plus XL	48002
Bearing (Outer)	BR32215	Bearing (Inner)	SET403
1987-1984	Spicer 70 Axle:		(Set Components)	594-A VP/592-A VP
Seal	28426	Bearing (Outer)	SET401
(Speedi-Sleeve/Seal Kit)	28446	(Set Components)	BR580/BR572
Bearing (Inner)	BR101	1982-1973	GMC T185 Axle:	
(Set Components)	387-AS VP/382-A VP	Scotseal	38750
Bearing (Outer)	BR38	Bearing (Inner)	SET411
(Set Components)	LM104949 VP/LM104911	(Set Components)	BR47686/BR47620
1987-1983	Rockwell Std. SQDD & SQHD Axles w/o Cast Whls.:		Bearing (Outer)	SET408
Scotseal	47690	(Set Components)	BR39590/BR39520
Bearing (Inner)	SET404	1982-1955	Rockwell Std. SQDD & SQHD Axles w/o Cast Whls.:	
(Set Components)	598-A VP/592-A VP	Scotseal	48000
Bearing (Outer)	SET401	Scotseal Plus XL	48002
(Set Components)	BR580/BR572	Bearing (Inner)	SET404
1987-1983	Rockwell Std. SQDD & SQHD Axles w/ Cast Whls.:		(Set Components)	598-A VP/592-A VP
Scotseal	47690	Bearing (Outer)	SET401
Bearing (Inner)	SET403	(Set Components)	BR580/BR572
(Set Components)	594-A VP/592-A VP			(Continued)
Bearing (Outer)	SET401			
(Set Components)	BR580/BR572			

APPLICATIONS

TRAILER, TAG & PUSHER AXLES

FRONT AXLES

DRIVE AXLES

MEDIUM TRUCK

(Cont.) -- Chevrolet/GMC Truck Tiltmaster/Transmode, 1 1/2 ton, 2 ton, 2 1/2 ton, 40 series/4500 series, 50 series/5500 series, 60 series/6500 series, 70 series/7500 series, 80 Series, W series

MFG./YEAR	MODEL & LOCATION	PART NO.	MFG./YEAR	MODEL & LOCATION	PART NO.
Wheel Rear (Cont.)			Wheel Rear (Cont.)		
1981-1980	Rockwell Std. F106 Axle:		1978-1973	Eaton 19200, 19201 & 23221 Axles w/Cast Whls.:	
	Scotseal	34387		Scotseal	45160
	Scotseal Plus XL	34384		Scotseal Plus XL	45157
	Bearing (Inner)	BR33287/BR33462		Bearing (Inner)	SET403
	Bearing (Outer)	BR3982/BR3920		(Set Components)	594-A VP/592-A VP
1981-1979	Eaton 16244 Axle:			Bearing (Outer)	SET401
	Seal	41550		(Set Components)	BR580/BR572
	Scotseal	42550	1978-1973	Transmode:	
	Bearing (Inner)	495-AX VP/BR493		Seal	21771
	Bearing (Outer)	SET408		Bearing (Inner)	BR35
	(Set Components)	BR39590/BR39520		(Set Components)	LM501349 VP/LM501310 VP
1981-1973	GMC H135 Axle:			Bearing (Outer)	BR100
	Seal	34700		(Set Components)	15103-S VP/BR15243
	Bearing (Inner)	KD12051-Z	1978-1973	GMC H130 Axle:	
	(Set Components)	395-CS/394-CS		Seal	34985
	Bearing (Outer)	KB11786-Y		Bearing (Inner)	KD12051-Z
	(Set Components)	BR387/BR382		(Set Components)	395-CS/394-CS
1981-1967	GMC H110 Axle:			Bearing (Outer)	KB11786-Y
	Seal	31870		(Set Components)	BR387/BR382
	Bearing (Inner)	KD12051-Z	1978-1967	Eaton 18100 & 18200 Axles w/Cast Whls.:	
	(Set Components)	395-CS/394-CS		Scotseal	45160
	Bearing (Outer)	KB11786-Y		Scotseal Plus XL	45157
	(Set Components)	BR387/BR382		Bearing (Inner)	SET403
1981-1966	GMC H150 & T150 Axles w/ 15" X 5" Brks.:			(Set Components)	594-A VP/592-A VP
	Scotseal	39420		Bearing (Outer)	BR575/BR572
	Bearing (Inner)	BR33287/BR33472	1978-1967	Eaton 1st Design 18100 & 18200 Axles w/o Cast Whls.:	
	Bearing (Outer)	BR3982/BR3925		Seal	43820
1981-1960	GMC T170 w/ Air Brks., H170 & H172 Axles:			Scotseal	43860
	Seal	41550		Bearing (Inner)	BR594/592-A VP
	Scotseal	42550		Bearing (Outer)	BR575/BR572
	Bearing (Inner)	495-AX VP/BR493	1976-1967	Eaton 1st Design 17100, 17200 & 34DS Axles:	
	Bearing (Outer)	SET408		Seal	41550
	(Set Components)	BR39590/BR39520		Bearing (Inner)	SET411
1981-1960	GMC T170 Axle w/ Hyd. Brks.:			(Set Components)	BR47686/BR47620
	Seal	41550		Bearing (Outer)	SET408
	Scotseal	42550		(Set Components)	BR39590/BR39520
	Bearing (Inner)	495-AX VP/BR493	1975-1955	Eaton 32M, 34M & 34DTA Axles; GMC GM34000 Axle; Rockwell SLDD & SLHD Axles:	
	Bearing (Outer)	BR39590/BR39521		Seal Kit	1224
1981-1960	GMC H150 & T150 Axles w/ 15" X 4" Brks.:			Seal (w/Sleeve)	40360
	Seal Kit	162		Scotseal	38750
	Seal Only	36314		Bearing (Inner)	SET411
	Bearing (Inner)	B12235-YK		(Set Components)	BR47686/BR47620
	Bearing (Outer)	KA11950-Z		Bearing (Outer)	SET408
1978-1976	Eaton 2nd Design 18100 & 18200 Axles w/o Cast Whls. & Whl. Locks:			(Set Components)	BR39590/BR39520
	Scotseal	47690	1972-1967	Eaton 19100 & 19200 Axles:	
	Bearing (Inner)	BR598/592-A VP		Seal	43820
	Bearing (Outer)	BR575/BR572		Scotseal	43860
1978-1976	Eaton 2nd Design 18100 & 18200 Axles w/Whl. Locks w/o Cast Whls.:			Bearing (Inner)	BR594/592-A VP
	Scotseal	47690		Bearing (Outer)	SET401
	Bearing (Inner)	BR594/592-A VP		(Set Components)	BR580/BR572
	Bearing (Outer)	BR575/BR572	1972-1960	Eaton 1618, 1619, 16121, 16221, 16802 & 16803 Axles:	
1978-1973	Eaton 19200, 19201 & 23221 Axles Exc. Cast Whls.:			Scotseal	39420
	Scotseal	47690		Bearing (Inner)	495-AX VP/BR493
	Bearing (Inner)	BR594/592-A VP		Bearing (Outer)	SET408
	Bearing (Outer)	SET401		(Set Components)	BR39590/BR39520
	(Set Components)	BR580/BR572			(Continued)

✦ Use Existing Part Number to Depletion, Then Reorder New Number Listed Below. [] Indicates Quantity Required.

Chevrolet/GMC Truck Tiltmaster/Transmode, 1 1/2 ton, 2 ton, 2 1/2 ton, 40 series/4500 series, 50 series/5500 series, 60 series/6500 series, 70 series/7500 series, 80 Series, W series -- (Cont.)

MFG./YEAR	MODEL & LOCATION	PART NO.	MFG./YEAR	MODEL & LOCATION	PART NO.
Wheel Rear (Cont.)			Wheel Rear (Cont.)		
1972-1960	Rockwell Std. H162 & H362 Axles:		1966-1950	Eaton 1880, 1890, 1891, 1895, 1896, 18500, 18501, 18600, 18601, 18700, 18701, 18802, 18803, 2695, 2696 & 8803 Axles:	
	Scotseal	39420		Seal	43820
	Bearing (Inner)	495-AX VP/BR493		Scotseal	43860
	Bearing (Outer)	SET408		Bearing (Inner)	BR598/592-A VP
	(Set Components)	BR39590/BR39520		Bearing (Outer)	BR575/BR572
1972-1960	GMC H130 & H135 Axles:		1959-1955	Rockwell Std. SW456 & SFDD4600 Axles w/ Cast Whls.:	
	Seal	34985		Seal	50148
	Bearing (Inner)	KD12051-Z		Scotseal	48884
	(Set Components)	395-CS/394-CS		Bearing (Inner)	BR760/BR752
	Bearing (Outer)	KB11786-Y		Bearing (Outer)	BR749/BR742
	(Set Components)	BR387/BR382	1959-1955	Rockwell Std. SW456 & SFDD4600 Axles w/o Cast Whls.:	
1972-1960	Rockwell Std. G161 & G361 Axles:			Bearing (Inner)	BR760/BR752
	Seal Kit	162		Bearing (Outer)	BR749/BR742
	Seal Only	36314	1959-1954	Eaton 22M Axle:	
	Bearing (Inner)	B12235-YK		Seal Kit	162
	Bearing (Outer)	KA11950-Z		Seal Only	36314
1972-1955	Eaton 1790, 1791, 1792, 1793, 17500, 17501, 17800, 17801, 2613 & 2614 Axles; Rockwell L161, L162, L351, L362 & L371 Axles:			Bearing (Inner)	B12235-YK
	Seal (w/Sleeve)	40360		Bearing (Outer)	KA11950-Z
	Scotseal	38750	1959-1952	Rockwell Std. SW3010, SW3020 & SFDD3020 Axles:	
	Bearing (Inner)	SET411		Scotseal (Inner)	40136
	(Set Components)	BR47686/BR47620		Scotseal Plus XL	40129
	Bearing (Outer)	SET408		Bearing (Inner)	BR575/BR572
	(Set Components)	BR39590/BR39520		Bearing (Outer)	BR575/BR572
1972-1955	Rockwell Std. H140, H340, H350 & H370 Axles:		1959-1952	Eaton 22501 Axle & Rockwell U200 Axle:	
	Scotseal	39420		Seal	50148
	Bearing (Inner)	495-AX VP/BR493		Scotseal	48884
	Bearing (Outer)	SET408		Bearing (Inner)	BR760/BR752
	(Set Components)	BR39590/BR39520		Bearing (Outer)	BR749/BR742
1966-1960	Eaton DSP50 & SP50 Axles:		1959-1952	Rockwell Std. QT140, QT230, QT340, Q380, Q390, R100, R140, R200, R230, RT240, RT340 & R390 Axles:	
	Scotseal	38750		Scotseal	48000
	Bearing (Inner)	495-AX VP/BR493		Scotseal Plus XL	48002
	Bearing (Outer)	SET408		Bearing (Inner)	SET404
	(Set Components)	BR39590/BR39520		(Set Components)	598-A VP/592-A VP
1966-1960	Eaton 30DP & 30DS Axles:			Bearing (Outer)	SET401
	Seal Kit	1224		(Set Components)	BR580/BR572
	Seal (w/Sleeve)	40360	1959-1947	Eaton 28M Axle:	
	Scotseal	38750		Scotseal	39420
	Bearing (Inner)	495-AX VP/BR493		Bearing (Inner)	495-AX VP/BR493
	Bearing (Outer)	SET408		Bearing (Outer)	SET408
	(Set Components)	BR39590/BR39520		(Set Components)	BR39590/BR39520
1966-1955	Eaton 17100, 17101, 17121, 17200, 17201 & 17221 Axles:		1957	Rockwell Std. SFHD Axle:	
	Seal (w/Sleeve)	40360		Seal (w/Sleeve)	40360
	Scotseal	38750		Scotseal	38750
	Bearing (Inner)	SET411		Bearing (Inner)	495-AX VP/BR493
	(Set Components)	BR47686/BR47620		Bearing (Outer)	SET408
	Bearing (Outer)	SET408		(Set Components)	BR39590/BR39520
	(Set Components)	BR39590/BR39520			
1966-1952	Eaton 1911, 19501, 19502 & 19503 Axles:				
	Seal	46324			
	Scotseal	45160			
	Scotseal Plus XL	45157			
	Bearing (Inner)	BR594/592-A VP			
	Bearing (Outer)	SET401			
	(Set Components)	BR580/BR572			

(Continued)

APPLICATIONS

TRAILER, TAG & PUSHER AXLES

FRONT AXLES

DRIVE AXLES

MEDIUM TRUCK

(Cont.) -- Chevrolet/GMC Truck Tiltmaster/Transmode, 1 1/2 ton, 2 ton, 2 1/2 ton, 40 series/4500 series, 50 series/5500 series, 60 series/6500 series, 70 series/7500 series, 80 Series, W series

MFG./YEAR	MODEL & LOCATION	PART NO.	MFG./YEAR	MODEL & LOCATION	PART NO.
Wheel Rear (Cont.)			Wheel Rear (Cont.)		
1956-1955	Eaton 16600 & 16601 Axles; Rockwell H100, H130 & H300 Axles:		1950-1949	Eaton 16500 Axle:	
	Seal (w/Sleeve)	40360		Scotseal	39420
	Scotseal	38750		Bearing (Inner)	495-AX VP/BR493
	Bearing (Inner)	495-AX VP/BR493		Bearing (Outer)	SET408
	Bearing (Outer)	SET408		(Set Components)	BR39590/BR39520
	(Set Components)	BR39590/BR39520	1950-1947	Eaton 16600 & 16601 Axles:	
1954-1951	Eaton 16500, 16600 & 16601; Rockwell H100 & H300 Axles:			Scotseal	39420
	Scotseal	39420		Bearing (Inner)	495-AX VP/BR493
	Bearing (Inner)	495-AX VP/BR493		Bearing (Outer)	SET408
	Bearing (Outer)	SET408		(Set Components)	BR39590/BR39520
	(Set Components)	BR39590/BR39520	1950-1947	Eaton 1780, 2627 & 17000 Axles:	
1954-1950	Eaton 1715, 1716, 1790, 1791, 1792, 1793, 1795, 1796, 17500, 17501, 17600, 17601, 17700, 17701, 2613, 2614, 2615 & 2616 Axles:			Bearing (Inner)	BR566/BR563
	Seal (w/Sleeve)	40036		Bearing (Outer)	BR3982/BR3920
	Bearing (Inner)	SET411	1950-1947	Rockwell Std. H100 & H300 Axles:	
	(Set Components)	BR47686/BR47620		Seal	39423
	Bearing (Outer)	SET408		Bearing (Inner)	495-AX VP/BR493
	(Set Components)	BR39590/BR39520		Bearing (Outer)	SET408
1954-1950	Rockwell Std. SLDD Axle:			(Set Components)	BR39590/BR39520
	Seal (w/Sleeve)	40036	1950-1947	Rockwell Std. 55417-H Axle:	
	Bearing (Inner)	SET411		Seal (Inner)	35012
	(Set Components)	BR47686/BR47620		Bearing (Inner)	BR33281/BR33462
	Bearing (Outer)	SET408		Bearing (Outer)	BR3982/BR3920
	(Set Components)	BR39590/BR39520	1948-1947	Eaton 16500 Axle:	
1953-1951	Eaton 22M Axle:			Seal (Inner)	35012
	Seal	31870		Bearing (Inner)	BR33281/BR33462
	Bearing (Inner)	B12235-YK		Bearing (Outer)	BR3982/BR3920
	Bearing (Outer)	KA11950-Z			
1951-1950	Eaton 1350 Axle; GMC H125 Axle & Rockwell E301 Axles:				
	Seal (Inner)	35012			
	Bearing (Inner)	BR33281/BR33462			
	Bearing (Outer)	BR45290/BR45220			

Dodge Truck 1 1/2 ton, 2 ton, 4500 Series, 5500 Series

Wheel Front (2 W/D)			Wheel Front (2 W/D) (Cont.)		
2010-2008	Ram 4500HD & Ram 5500HD:		1956-1948	DU Route Van:	
	Hub Assembly	BR930508		Bearing	BR12580/BR12520
	Sensor Harness	SC508	2010-2008	Ram 4500HD & Ram 5500HD:	
1981-1969	5000 lb. Axle:			Hub Assembly	BR930508
	Seal	24459		Sensor Harness	SC508
	Bearing (Inner)	BR25590/BR25520	1981-1977	Spicer 60 Axle:	
	Bearing (Outer)	BR14116/BR14276		Seal	27452
1973-1972	4000 lb. Axle:			Bearing (Inner)	387-A VP/382-A VP
	Bearing (Inner)	BR47490/BR47420		Bearing (Outer)	BR38
	Bearing (Outer)	BR14116/BR14276		(Set Components)	LM104949 VP/LM104911
1971-1963	7000 lb. Axle:		Spindle Hub		
	Seal	28828	1981-1977	Spicer 60 Axle:	
1971-1958	4000 lb. Axle:			Seal	15194
	Seal	22835		(V-Ring)	400650
	Bearing (Inner)	BR37			(Continued)
	(Set Components)	LM603049 VP/LM603011			
	Bearing (Outer)	BR15101/BR15245			

✧ Use Existing Part Number to Depletion, Then Reorder New Number Listed Below. [] Indicates Quantity Required.

Dodge Truck 1 1/2 ton, 2 ton, 4500 Series, 5500 Series -- (Cont.)

MFG./YEAR	MODEL & LOCATION	PART NO.	MFG./YEAR	MODEL & LOCATION	PART NO.
Wheel Rear			Wheel Rear (Cont.)		
2010-2008	Ram 4500HD & Ram 5500HD:		1971-1963	Eaton 1350A5, 13802 & Rockwell Std. F147	
	Seal	34928		Axles:	
	Bearing (Inner)	[2] BR33281/BR33462		Seal	33807
1981-1974	Spicer 70 Axle w/ 12" X 3" Brks.:			Bearing (Inner)	BR33287/BR33462
	Seal	30033		Bearing (Outer)	BR3982/BR3920
	Bearing (Inner)	SET416	1956-1948	DU Route Van:	
	(Set Components)	BR45291/BR45220		Bearing (Inner)	SET407
	Bearing (Outer)	BR38		(Set Components)	BR28682/BR28622
	(Set Components)	LM104949 VP/LM104911		Bearing (Outer)	BR2984/BR2924
1981-1974	Spicer 70 Axle w/ 15" X 4" Brks.:		1956-1948	EU Route Van:	
	Seal	33136		Bearing (Inner)	SET407
	Bearing (Inner)	BR3982/BR3920		(Set Components)	BR28682/BR28622
	Bearing (Outer)	BR3767/BR3730	1956-1948	H, HM, J & JM Series:	
1977-1972	Rockwell Std. F140D Axle:			Bearing (Inner)	BR33281/BR33462
	Scotseal	32470		Bearing (Outer)	BR3982/BR3920
	Bearing (Inner)	BR33287/BR33462			
	Bearing (Outer)	BR3984/BR3920			
1973-1972	Spicer 70 Axle w/ Dual Rr. Whls.:				
	Seal	33136			
	Bearing (Inner)	BR3984/BR3920			
	Bearing (Outer)	BR3767/BR3730			
1971-1963	RA115 IHC Axle:				
	Scotseal	32470			
	Bearing (Inner)	BR3984/BR3920			
	Bearing (Outer)	BR462/453-X VP			

Ford Truck 1 1/2 ton, 2 1/2 ton, 400 series, 450 series, F450, F450(Super Duty), 500 series, 550 series, F550(Super Duty), 600 series, 700 series, 800 series

MFG./YEAR	MODEL & LOCATION	PART NO.	MFG./YEAR	MODEL & LOCATION	PART NO.
Wheel Front (2 W/D)			Wheel Front (2 W/D) (Cont.)		
2015-2011	F450 Super Duty & F550 Super Duty:		2003-2000	F750 w/ 12,000 lb Axle & ABS:	
	Hub Assembly	BR930804		Seal	35062
2011-2004	F650 & F750:			Scotseal	35066
	Scotseal (Inner)	28758		Scotseal Plus XL	35058
	Scotseal Plus XL (Inner)	28759		Scotseal Longlife	35103
	Bearing (Inner)	JM207049-A VP/JM207010		Bearing (Inner)	SET439
	Bearing (Outer)	BR25877/BR25820		(Set Components)	HM212049-X VP/HM212011 V
2010-2005	F450 Super Duty & F550 Super Duty w/ Mono Beam Axle:			Bearing (Outer)	SET406
	Hub Assembly	BR930722		(Set Components)	BR3782/BR3720
2007-2005	F450 Super Duty & F550 Super Duty w/ Twin I-Beam Axle:		2001-1992	10,000, 12,000 & 14,600 lb. Axles w/o Cargo & ABS:	
	Seal	24017		Seal	35062
	Bearing (Inner)	BR50		Scotseal	35066
	(Set Components)	LM102949 VP/LM102910 VP		Scotseal Plus XL	35058
	Bearing (Outer)	BR15101/BR15245		Scotseal Longlife	35103
2004-1999	F450 Super Duty & F550 Super Duty:			Bearing (Inner)	SET439
	Hub Assembly	BR930428		(Set Components)	HM212049-X VP/HM212011 V
	Sensor Harness	SC420		Bearing (Outer)	SET406
	Locking Hub O-Ring	4C321		(Set Components)	BR3782/BR3720
	Hub O-Ring	4A322	2001-1984	9,000 lb. Axle w/ ABS:	
2003-2000	F650 & F750 w/ 9,000 lb Axle & ABS:			Seal	34980
	Seal	34980		Scotseal	34975
	Scotseal	34975		Scotseal Plus XL	34971
	Scotseal Plus XL	34971		Bearing (Inner)	BR39581/BR39520
	Bearing (Inner)	BR39581/BR39520		Bearing (Outer)	BR3585/BR3525
	Bearing (Outer)	BR3585/BR3525			(Continued)

APPLICATIONS

TRAILER, TAG & PUSHER AXLES

FRONT AXLES

DRIVE AXLES

MEDIUM TRUCK

Ford Truck 1 1/2 ton, 2 1/2 ton, 400 series, 450 series, F450, F450(Super Duty), 500 series, 550 series, F550(Super Duty), 600 series, 700 series, 800 series -- (Cont.)

MFG./YEAR	MODEL & LOCATION	PART NO.	MFG./YEAR	MODEL & LOCATION	PART NO.
Wheel Front (4 W/D) (Cont.)			Wheel Front (4 W/D) (Cont.)		
2010-2005	F450 Super Duty & F550 Super Duty:		1999	F450 Super Duty & F550 Super Duty w/ Single Rr. Whls., Rr. Whl. ABS & Coarse Threads Thru 3/21/99:	
	Hub Assembly	BR930639		Hub Assembly	BR930427
	Hub O-Ring	5C3Z4		Hub Mounting Studs	229CRK
2004-1999	F450 Super Duty & F550 Super Duty w/ Single Rr. Whls., Rr. Whl. ABS, Fine Threads & 8 Studs From 3/22/99:			Hub O-Ring	4A322
	Seal	21918		Locking Hub O-Ring	4C3Z1
	Hub Assembly	BR930424	1988-1984	6000 lb. & 7000 lb. Axles & Disc Brks.:	
	Hub Mounting Studs	229CRK		Seal	28830
	Hub O-Ring	4A322		Scotseal	28832
	Locking Hub O-Ring	4C3Z1		Bearing (Inner)	SET410
	Washer Kit	3B458		(Set Components)	BR45284/BR45220
2004-1999	F450 Super Duty & F550 Super Duty w/ Dual Rr. Whls. & 4 Whl. ABS From 3/22/99:			Bearing (Outer)	BR25880/BR25820
	Seal	21918	1988-1984	9000 lb. Axle w/ 15" X 3.5", 15" X 4" Brks., Budd Whls. & Dayton 20" Spoke Whls.:	
	Hub Assembly	BR930421		Scotseal Plus	34971
	Hub Mounting Studs	229CRK		Bearing (Inner)	BR39581/BR39520
	Sensor Harness	SC420		Bearing (Outer)	BR3585/BR3525
	Hub O-Ring	4A322	Axle Shaft		
	Locking Hub O-Ring	4C3Z1	2013-2005	F450 Super Duty & F550 Super Duty:	
	Washer Kit	3B458		Seal (Inner)	15553
2004-1999	F450 Super Duty & F550 Super Duty w/ Single Rr. Whls., 4 Whl. ABS, Coarse Threads & 8 Studs From 3/22/99:			Seal (Center)	16510
	Seal	21918		Seal (Outer)	35298
	Hub Assembly	BR930420	2004-1999	F450 Super Duty & F550 Super Duty:	
	Hub Mounting Studs	229CRK		Seal (Inner)	15553
	Sensor Harness	SC420		Seal (Outer)	28600
	Hub O-Ring	4A322		Bearing	B2110
	Locking Hub O-Ring	4C3Z1	Wheel Rear		
	Washer Kit	3B458	2015-2010	F450 Super Duty & F550 Super Duty w/ Narrow Frame From 2/22/2010:	
2004-1999	F450 Super Duty & F550 Super Duty w/ Single Rr. Whls., 4 Whl. ABS & Fine Threads From 3/22/99:			Seal	34928
	Hub Assembly	BR930438		Bearing (Inner)	BR33281/BR33462
	Hub Mounting Studs	229CRK		Bearing (Outer)	BR39250/BR39412
	Sensor Harness	SC420	2015-2010	F450 Super Duty & F550 Super Duty w/ Wide Frame From 2/22/2010:	
	Hub O-Ring	4A322		Seal	28754
	Locking Hub O-Ring	4C3Z1		Bearing (Inner)	BR101
	Washer Kit	3B458		(Set Components)	387-AS VP/382-A VP
1999	F450 Super Duty & F550 Super Duty w/ Dual Rr. Whls., 4 Whl. ABS & Coarse Threads Thru 3/21/99:			Bearing (Outer)	BR38
	Seal	21918		(Set Components)	LM104949 VP/LM104911
	Hub Assembly	BR930425	2010-1999	F450 Super Duty & F550 Super Duty Thru 2/12/2010:	
	Hub Mounting Studs	229CRK		Seal	34928
	Sensor Harness	SC420		Bearing (Inner)	BR33281/BR33462
	Hub O-Ring	4A322		Bearing (Outer)	BR39250/BR39412
	Locking Hub O-Ring	4C3Z1	2003-2000	F650 & F750 w/ 17,000 lb Axle & Dayton Whls.:	
	Washer Kit	3B458		Seal	38750
1999	F450 Super Duty & F550 Super Duty w/ Single Rr. Whls., 4 Whl. ABS & Coarse Thread Thru 3/21/99:			Bearing (Inner)	SET411
	Hub Assembly	BR930426		(Set Components)	BR47686/BR47620
	Hub Mounting Studs	229CRK		Bearing (Outer)	SET408
	Sensor Harness	SC420		(Set Components)	BR39590/BR39520
	Hub O-Ring	4A322			(Continued)
	Locking Hub O-Ring	4C3Z1			
	Washer Kit	3B458			

APPLICATIONS

TRAILER, TAG & PUSHER AXLES

FRONT AXLES

DRIVE AXLES

MEDIUM TRUCK

(Cont.) -- Ford Truck 1 1/2 ton, 2 1/2 ton, 400 series, 450 series, F450, F450(Super Duty), 500 series, 550 series, F550(Super Duty), 600 series, 700 series, 800 series

MFG./YEAR	MODEL & LOCATION	PART NO.	MFG./YEAR	MODEL & LOCATION	PART NO.
Wheel Rear (Cont.)			Wheel Rear (Cont.)		
2002-1993	21,000 lb., 22,000 lb., 23,000 lb. & 40,000 lb. Axles w/ Dayton Whls.:		1992	17,500, 18,000, 19,000 & 34,000 lb. Axles From 5/92:	
Scotseal	47697	Scotseal	38780
Scotseal Plus XL	47692	Scotseal Plus XL	38776
(Reorder:)	47691	Bearing (Inner)	SET411
Scotseal Longlife	47693	(Set Components)	BR47686/BR47620	
Bearing (Inner)	SET403	Bearing (Outer)	SET408
(Set Components)	594-A VP/592-A VP		(Set Components)	BR39590/BR39520	
Bearing (Outer)	SET401	1992-1990 17,500, 18,000 & 19,000 lb. Axles w/ 15" X 7" & 16" X 7" Brks. Thru 5/92:		
(Set Components)	BR580/BR572		Scotseal	38780
2000-1990 21,000 lb., 22,000 lb., 23,000 lb., 38,000 lb. & 44,000 lb. Axles w/ Budd & ConMet Whls.:			Scotseal Plus XL	38776
Scotseal	47697	Bearing (Inner)	SET411
Scotseal Plus XL	47692	(Set Components)	BR47686/BR47620	
(Reorder:)	47691	Bearing (Outer)	SET408
Scotseal Longlife	47693	(Set Components)	BR39590/BR39520	
Bearing (Inner)	SET403	1992-1968 15,000 lb. Axle From Ser. C70001 Thru 5/92:		
(Set Components)	594-A VP/592-A VP		Scotseal	34387
Bearing (Outer)	SET401	Scotseal Plus XL	34384
(Set Components)	BR580/BR572		Seal Kit	1332
1999-1993 15,000 lb. Axle w/ 6 Hole Disc Brks.:			Bearing (Inner)	BR33287/BR33462
Scotseal	34387	Bearing (Outer)	BR3982/BR3920
Scotseal Plus XL	34384	1991-1990 21,000 & 23,000 lb. Axles w/ Gunite Whls.:		
Bearing (Inner)	BR33287/BR33462	Scotseal	47697
Bearing (Outer)	BR3982/BR3920	Scotseal Plus XL	47692
1999-1993 17,500, 18,000, 19,000 & 34,000 lb. Axles:			(Reorder:)	47691
Scotseal	38780	Scotseal Longlife	47693
Scotseal Plus XL	38776	Bearing (Inner)	SET403
Bearing (Inner)	SET411	(Set Components)	594-A VP/592-A VP	
(Set Components)	BR47686/BR47620		Bearing (Outer)	BR749/BR572
Bearing (Outer)	SET408	1989-1980 18,500 & 19,000 lb. Axles w/o 15" X 6" Brks.:		
(Set Components)	BR39590/BR39520		Scotseal	38780
1999-1992 15,000 lb. Axle w/ 8 Hole Disc Brks.:			Scotseal Plus XL	38776
Bearing (Inner)	BR33287/BR33462	Bearing (Inner)	SET411
Bearing (Outer)	BR3982/BR3920	(Set Components)	BR47686/BR47620	
1999-1990 21,000 & 38,000 lb. Axles w/ Motor Whls.:			Bearing (Outer)	SET408
Bearing (Inner)	SET404	(Set Components)	BR39590/BR39520	
(Set Components)	598-A VP/592-A VP		1986-1984 17,500 lb. Axle w/ 20" & 22" Spoke Whls.:		
Bearing (Outer)	SET401	Scotseal	38780
(Set Components)	BR580/BR572		Scotseal Plus XL	38776
1992 21,000 lb., 22,000 lb., 23,000 lb. & 40,000 lb. Axles w/ Dayton Whls. From 5/92:			Bearing (Inner)	SET411
Scotseal	47697	(Set Components)	BR47686/BR47620	
Scotseal Plus XL	47692	Bearing (Outer)	SET408
(Reorder:)	47691	(Set Components)	BR39590/BR39520	
Scotseal Longlife	47693	1985-1980 13,000 lb. Axle:		
Bearing (Inner)	SET403	Seal	31323
(Set Components)	594-A VP/592-A VP		Bearing (Inner)	BR3984/BR3920
Bearing (Outer)	SET401	Bearing (Outer)	BR462/453-X VP
(Set Components)	BR580/BR572		1983-1973 17,500 lb. Axle:		
1992 15,000 lb. Axle w/ 6 Hole Disc Brks. From 5/92:			Seal	39423
Scotseal	34387	Bearing (Inner)	495-AX VP/BR493
Scotseal Plus XL	34384	Bearing (Outer)	SET408
Bearing (Inner)	BR33287/BR33462	(Set Components)	BR39590/BR39520	
Bearing (Outer)	BR3982/BR3920	1977-1957 11,000 & 13,000 lb. Axles:		
			Scotseal	31323
			Seal Kit	1333
			Bearing (Inner)	BR3984/BR3920
			Bearing (Outer)	BR462/453-X VP
					(Continued)

✧ Use Existing Part Number to Depletion, Then Reorder New Number Listed Below. [] Indicates Quantity Required.

APPLICATIONS

TRAILER, TAG & PUSHER AXLES

FRONT AXLES

DRIVE AXLES

MEDIUM TRUCK

Ford Truck 1 1/2 ton, 2 1/2 ton, 400 series, 450 series, F450, F450(Super Duty), 500 series, 550 series, F550(Super Duty), 600 series, 700 series, 800 series -- (Cont.)

MFG./YEAR	MODEL & LOCATION	PART NO.	MFG./YEAR	MODEL & LOCATION	PART NO.
Wheel Rear (Cont.)			Wheel Rear (Cont.)		
1976-1969 P400 From Ser. F30001:			1963-1957 C550 w/15,000 & 22,000 lb. Axles:		
	Seal	28720		Scotseal (Inner)	34387
	Bearing (Inner)	BR101		Scotseal Plus XL	34384
	(Set Components)	387-AS VP/382-A VP		Seal (Inner)	34383
	Bearing (Outer)	BR38		Bearing (Inner)	BR33287/BR33462
	(Set Components)	LM104949 VP/LM104911		Bearing (Outer)	BR3982/BR3920
1969-1967 P400 From Ser. A84001 Thru F30000:			1963-1957 P400:		
	Seal	28746		Seal	27452
	Bearing (Inner)	BR101		Bearing (Inner)	387-A VP/382-A VP
	(Set Components)	387-AS VP/382-A VP		Bearing (Outer)	368-A VP/362-A VP
	Bearing (Outer)	BR38		1963-1957 15,000 lb. Axle Exc. C550:	
	(Set Components)	LM104949 VP/LM104911		Scotseal (Inner)	34387
1968-1964 15,000 lb. Axle Thru Ser. C70000:				Scotseal Plus XL	34384
	Scotseal	31323		Seal (Inner)	34383
	Seal	31299		Seal (Outer)	23870
	Bearing (Inner)	BR33287/BR33462		Bearing (Inner)	BR33287/BR33462
	Bearing (Outer)	BR3982/BR3920		Bearing (Outer)	BR3982/BR3920
1967-1964 P400 Thru Ser. A84000:			1956-1953 B, C, F & N500:		
	Seal	27452		Bearing (Inner)	BR3984/BR3920
	Bearing (Inner)	387-A VP/382-A VP			
	Bearing (Outer)	BR38			
	(Set Components)	LM104949 VP/LM104911			

Freightliner FL60

Wheel Front			Wheel Rear		
2004-1992 All:			2004-1992 All:		
	Seal (Inner)	28759		Seal (Inner)	35058
	Bearing (Inner)	JM207049-A VP/JM207010		Bearing (Inner)	SET412
	Bearing (Outer)	BR25877/BR25820		(Set Components)	HM212047 VP/HM212011 VP
				Bearing (Outer)	SET406
				(Set Components)	BR3782/BR3720

Freightliner FL70

Wheel Front			Wheel Rear		
2005-1992 7000-8000 lb. Axle:			2005-1992 All:		
	Seal (Inner)	28759		Seal (Inner)	38776
	Bearing (Inner)	JM207049-A VP/JM207010		Bearing (Inner)	SET411
	Bearing (Outer)	BR25877/BR25820		(Set Components)	BR47686/BR47620
2005-1992 9000-10,000 lb. Axle:				Bearing (Outer)	SET408
	Seal (Inner)	35058		(Set Components)	BR39590/BR39520
	Bearing (Inner)	SET412			
	(Set Components)	HM212047 VP/HM212011 VP			
	Bearing (Outer)	SET406			
	(Set Components)	BR3782/BR3720			

**A
P
P
L
I
C
A
T
I
O
N
S**

**T
R
A
I
L
E
R
,
T
A
G
&
P
U
S
H
E
R
A
X
L
E
S**

**F
R
O
N
T
A
X
L
E
S**

**D
R
I
V
E
A
X
L
E
S**

**M
E
D
I
U
M
T
R
U
C
K**

Freightliner M2 106

MFG./YEAR	MODEL & LOCATION	PART NO.	MFG./YEAR	MODEL & LOCATION	PART NO.
Wheel Front			Wheel Rear (Cont.)		
2013-2003	12,000-18,000 lb. Axle w/ Manual Adjust Hub:		2013-2003	21,000-26,000 lb. Axle w/ Manual Adjust Hub:	
	Seal (Inner)	35058		Seal (Inner)	47693
	Bearing (Inner)	SET413		Bearing (Inner)	SET403
	(Set Components)	HM212049 VP/HM212011 VP		(Set Components)	594-A VP/592-A VP
	Bearing (Outer)	SET406		Bearing (Outer)	SET401
	(Set Components)	BR3782/BR3720		(Set Components)	BR580/BR572
2013-2003	7000-8000 lb. Axle:		2013-2003	21,000-26,000 lb. Axle w/ Preset Spacer Hub:	
	Seal (Inner)	28759		Seal (Inner)	47693
	Bearing (Inner)	JM207049-A VP/JM207010			
	Bearing (Outer)	BR25877/BR25820			
2013-2003	12,000-18,000 lb. Axle w/ Preset Spacer Hub:				
	Seal (Inner)	35058			
Wheel Rear					
2013-2003	17,000-19,000 lb. Axle:				
	Seal (Inner)	38776			
	Bearing (Inner)	SET411			
	(Set Components)	BR47686/BR47620			
	Bearing (Outer)	SET408			
	(Set Components)	BR39590/BR39520			

Freightliner M2 112

Wheel Front			Wheel Rear		
2013-2009	All:		2013-2009	All:	
	Seal (Inner)	35058		Seal (Inner)	47693
	Bearing (Inner)	SET413		Bearing (Inner)	SET403
	(Set Components)	HM212049 VP/HM212011 VP		(Set Components)	594-A VP/592-A VP
	Bearing (Outer)	SET406		Bearing (Outer)	SET401
	(Set Components)	BR3782/BR3720		(Set Components)	BR580/BR572

Freightliner MT45

Wheel Front			Wheel Front (Cont.)		
2007-2000	12,000-14,000 lb. Axle:		1999-1998	7000-8000 lb. FC900 Series Axle:	
	Seal (Inner)	35058		Seal (Inner)	28820
	Bearing (Inner)	SET413		Bearing (Inner)	SET410
	(Set Components)	HM212049 VP/HM212011 VP		(Set Components)	BR45284/BR45220
	Bearing (Outer)	SET406		Bearing (Outer)	BR25880/BR25820
	(Set Components)	BR3782/BR3720			
2007-1998	7000-8000 lb. MFS-8 Series Axle:				
	Seal (Inner)	28759			
	Bearing (Inner)	JM207049-A VP/JM207010			
	Bearing (Outer)	BR25877/BR25820			

Freightliner MT55

Wheel Front					
2008-2000	12,000-14,000 lb. Axle:				
	Seal (Inner)	35058			
	Bearing (Inner)	SET413			
	(Set Components)	HM212049 VP/HM212011 VP			
	Bearing (Outer)	SET406			
	(Set Components)	BR3782/BR3720			
2008-1999	7000-8000 lb. MFS-8 Series Axle:				
	Seal (Inner)	28759			
	Bearing (Inner)	JM207049-A VP/JM207010			
	Bearing (Outer)	BR25877/BR25820			

✧ Use Existing Part Number to Depletion, Then Reorder New Number Listed Below. [] Indicates Quantity Required.

Hino Truck FA, FB			Hino Truck FD		
MFG./YEAR	MODEL & LOCATION	PART NO.	MFG./YEAR	MODEL & LOCATION	PART NO.
Wheel Front 2004-1987 All: Seal (Inner)33070 Bearing (Inner)BR32210 Bearing (Outer)BR32207			Wheel Rear (Cont.) 1997-1989 All: Bearing (Inner)BR29586/BR29522 Bearing (Outer)BR28680/BR28622		
Wheel Rear 2004-1998 All: Bearing (Inner)BR32215 Bearing (Outer)BR32213					
Wheel Front 2004-1986 All: Seal (Inner)39760 Bearing (Inner)BR30310 Bearing (Outer)BR32307			Wheel Rear 2004-1986 All: Bearing (Inner)BR32215 Bearing (Outer)BR32213		
Wheel Front 2004-1984 All: Seal (Inner)54330 Bearing (Outer)BR30310			Wheel Rear 2004-1984 All: Seal (Inner)57080 Bearing (Outer)BR32215		
Wheel Front 2004-1984 All: Seal (Inner)54330 Bearing (Outer)BR30310			Wheel Rear 1997-1984 All: Seal (Inner)57080 Bearing (Outer)BR32215		
Wheel Front 1992-1984 All: Seal (Inner)54330 Bearing (Outer)BR30310			Wheel Rear 1992-1984 All: Seal (Inner)57080 Bearing (Outer)BR32215		
Wheel Front 1992-1990 All: Seal (Inner)39760 Bearing (Inner)BR30310			Wheel Rear 1992-1990 All: Bearing (Inner)BR32215 Bearing (Outer)BR32213		
Wheel Front 1991-1988 All: Seal (Inner)54330 Bearing (Outer)BR30310			Wheel Rear 1991-1988 All: Seal (Inner)57080 Bearing (Outer)BR32215		

A P P L I C A T I O N S

TRAILER, TAG & PUSHER AXLES

FRONT AXLES

DRIVE AXLES

MEDIUM TRUCK

Hino Truck SG

MFG./YEAR	MODEL & LOCATION	PART NO.	MFG./YEAR	MODEL & LOCATION	PART NO.
Wheel Front			Wheel Rear		
2004-1986 All:			2004-1986 All:		
	Seal (Inner)	54330		Seal (Inner)	57080
	Bearing (Outer)	BR30310		Bearing (Outer)	BR32215

Hino Truck 145, 165

Wheel Front			Wheel Rear		
2010-2005 All:			2010-2005 All:		
	Bearing (Outer)	BR5		Bearing (Inner)	SET408
	(Set Components)	LM48548 VP/LM48510 VP		(Set Components)	BR39590/BR39520
				Bearing (Outer)	JLM506849/JLM506810

Hino Truck 185

Wheel Front			Wheel Rear		
2010-2005 All:			2010-2005 All:		
	Bearing (Outer)	BR5		Bearing (Inner)	BR33287/BR33462
	(Set Components)	LM48548 VP/LM48510 VP		Bearing (Outer)	BR3982/BR3920

Hino Truck 238

Wheel Front			Wheel Rear		
2014-2005 All:			2014-2005 All:		
	Scotseal (Inner)	28758		Scotseal (Inner)	38780
	Scotseal Plus XL (Inner)	28759		Scotseal Plus XL (Inner)	38776
	Bearing (Inner)	JM207049-A VP/JM207010		Bearing (Inner)	SET411
	Bearing (Outer)	BR25877/BR25820		(Set Components)	BR47686/BR47620
				Bearing (Outer)	SET408
				(Set Components)	BR39590/BR39520

Hino Truck 258ALP

Wheel Front			Wheel Rear		
2014-2011 All:			2014-2008 All:		
	Scotseal (Inner)	35066		Scotseal (Inner)	38780
	Scotseal Plus XL (Inner)	35058		Scotseal Plus XL (Inner)	38776
	Bearing (Inner)	SET413		Bearing (Inner)	SET411
	(Set Components)	HM212049 VP/HM212011 VP		(Set Components)	BR47686/BR47620
	Bearing (Outer)	SET406		Bearing (Outer)	SET408
	(Set Components)	BR3782/BR3720		(Set Components)	BR39590/BR39520
2010-2008 All:					
	Bearing (Inner)	JM207049-A VP/JM207010			
	Bearing (Outer)	BR25877/BR25820			

Hino Truck 258LP

Wheel Front			Wheel Rear		
2014-2006 All:			2014-2006 All:		
	Scotseal (Inner)	28758		Scotseal (Inner)	38780
	Scotseal Plus XL (Inner)	28759		Scotseal Plus XL (Inner)	38776
	Bearing (Inner)	JM207049-A VP/JM207010		Bearing (Inner)	SET411
	Bearing (Outer)	BR25877/BR25820		(Set Components)	BR47686/BR47620
				Bearing (Outer)	SET408
				(Set Components)	BR39590/BR39520

◇ Use Existing Part Number to Depletion, Then Reorder New Number Listed Below. [] Indicates Quantity Required.

Hino Truck 268			Hino Truck 268A		
MFG./YEAR	MODEL & LOCATION	PART NO.	MFG./YEAR	MODEL & LOCATION	PART NO.
Wheel Front 2014-2005 All: Scotseal (Inner) 35066 Scotseal Plus XL (Inner) 35058 Bearing (Inner) SET413 (Set Components) <i>HM212049 VP/HM212011 VP</i> Bearing (Outer) SET406 (Set Components) <i>BR3782/BR3720</i>			Wheel Rear 2014-2005 All: Scotseal (Inner) 38780 Scotseal Plus XL (Inner) 38776 Bearing (Inner) SET411 (Set Components) <i>BR47686/BR47620</i> Bearing (Outer) SET408 (Set Components) <i>BR39590/BR39520</i>		
Wheel Front 2014-2008 All: Scotseal (Inner) 35066 Scotseal Plus XL (Inner) 35058 Bearing (Inner) SET413 (Set Components) <i>HM212049 VP/HM212011 VP</i> Bearing (Outer) SET406 (Set Components) <i>BR3782/BR3720</i>			Wheel Rear 2014-2008 All: Scotseal (Inner) 47697 Scotseal Plus XL (Inner) [✦] 47692 (Reorder:) 47691 Bearing (Inner) SET403 (Set Components) <i>594-A VP/592-A VP</i> Bearing (Outer) SET401 (Set Components) <i>BR580/BR572</i>		
Wheel Front 2014-2005 All: Scotseal (Inner) 35066 Scotseal Plus XL (Inner) 35058 Bearing (Inner) SET413 (Set Components) <i>HM212049 VP/HM212011 VP</i> Bearing (Outer) SET406 (Set Components) <i>BR3782/BR3720</i>			Wheel Rear 2014-2005 All: Scotseal (Inner) 47697 Scotseal Plus XL (Inner) [✦] 47692 (Reorder:) 47691 Bearing (Inner) SET403 (Set Components) <i>594-A VP/592-A VP</i> Bearing (Outer) SET401 (Set Components) <i>BR580/BR572</i>		
Wheel Front 2008-2002 02ADE & 02ADD Axles: Seal (Inner) 35058 Bearing (Inner) SET413 (Set Components) <i>HM212049 VP/HM212011 VP</i> Bearing (Outer) SET406 (Set Components) <i>BR3782/BR3720</i> 2008-2002 02ADC Axle: Seal (Inner) 28759 Bearing (Inner) JM207049-A VP/JM207010 Bearing (Outer) BR25877/BR25820			Wheel Rear 2008-2002 All: Seal (Inner) 38776 Bearing (Inner) SET411 (Set Components) <i>BR47686/BR47620</i> Bearing (Outer) SET408 (Set Components) <i>BR39590/BR39520</i>		
Wheel Front 2002-1990 All: Seal (Inner) 28758 Bearing (Inner) SET413 (Set Components) <i>HM212049 VP/HM212011 VP</i> Bearing (Outer) SET406 (Set Components) <i>BR3782/BR3720</i>			Wheel Rear 2002-1990 All: Seal (Inner) 38776 Bearing (Inner) SET411 (Set Components) <i>BR47686/BR47620</i> Bearing (Outer) SET408 (Set Components) <i>BR39590/BR39520</i>		

IHC 4900

MFG./YEAR	MODEL & LOCATION	PART NO.	MFG./YEAR	MODEL & LOCATION	PART NO.
Wheel Front			Wheel Rear		
2002-1990 All:			2002-1990 All:		
Seal (Inner)		35058	Seal (Inner)		38776
Bearing (Inner)		SET413	Bearing (Inner)		SET411
(Set Components)	HM212049 VP/HM212011 VP		(Set Components)	BR47686/BR47620	
Bearing (Outer)		SET406	Bearing (Outer)		SET408
(Set Components)	BR3782/BR3720		(Set Components)	BR39590/BR39520	

Isuzu Truck EVR, FRR, FSR, FTR, FVR, HTR, HVR, NPR, NQR, NRR

Wheel Front			Wheel Rear (Cont.)		
2015-2005 NRR:			2009-2003 NQR:		
Seal (Inner)		28325	Seal (Inner)		31490
Bearing (Inner)		BR32210	Seal (Outer)		19333
Bearing (Outer)		BR32207	Bearing (Inner)		BR29586/BR29520
2015-2003 NQR:			2008-2005 HVR w/ 19,000 lb. Axle:		
Seal		28325	Bearing (Outer)		BR28680/BR28622
Bearing (Inner)		BR32210	Bearing (Inner)		SET411
Bearing (Outer)		BR32207	(Set Components)	BR47686/BR47620	
2015-1986 NPR:			2008-2005 HVR w/ 21,000 lb. Axle:		
Seal		28325	Scotseal (Inner)		38780
Bearing (Inner)		BR32210	Scotseal Plus XL (Inner)		38776
Bearing (Outer)		BR32207	Bearing (Inner)		SET403
2008-2005 HVR:			(Set Components)	594-A VP/592-A VP	
Scotseal (Inner)		35066	Bearing (Outer)		SET401
Scotseal Plus XL (Inner)		35058	(Set Components)	BR580/BR572	
Bearing (Inner)		SET413	2008-2005 HTR w/ 19,000 lb. Axle:		
(Set Components)	HM212049 VP/HM212011 VP		Scotseal (Inner)		38780
Bearing (Outer)		SET406	Scotseal Plus XL (Inner)		38776
(Set Components)	BR3782/BR3720		Bearing (Inner)		SET411
2008-2005 HTR:			(Set Components)	BR47686/BR47620	
Scotseal (Inner)		35066	Bearing (Outer)		SET408
Scotseal Plus XL (Inner)		35058	(Set Components)	BR39590/BR39520	
Bearing (Inner)		SET413	2008-2005 HTR w/ 23,000 lb. Axle:		
(Set Components)	HM212049 VP/HM212011 VP		Scotseal (Inner)		47697
Bearing (Outer)		SET406	Scotseal Plus XL (Inner)		47692
(Set Components)	BR3782/BR3720		(Reorder:)		47691
2004-2000 FRR:			Bearing (Inner)		SET403
Seal		29650	(Set Components)	594-A VP/592-A VP	
Bearing (Inner)		BR47	Bearing (Outer)		SET401
1998-1987 FRR & FSR:			(Set Components)	BR580/BR572	
Seal		29650	2004-2000 FRR:		
Bearing (Inner)		BR47	Seal (Inner)		37408
Bearing (Outer)		BR44	Seal (Outer)		22284
1996-1988 EVR & FVR:			Bearing (Inner)		BR32215
Seal		47210	Bearing (Outer)		BR32213
1996-1987 FTR:			2002-1997 FSR:		
Seal		33460	Seal (Inner)		39380
Bearing (Inner)		SET412	Bearing (Inner)		BR33287/BR33462
(Set Components)	HM212047 VP/HM212011 VP		Bearing (Outer)		BR3982/BR3920
Wheel Rear			1998-1997 FRR:		
2015-2010 NQR & NRR:			Seal (Inner)		37408
Seal (Outer)		19333	Seal (Outer)		22284
2015-1986 NPR:			Bearing (Inner)		BR32215
Seal (Inner)		31490	Bearing (Outer)		BR32213
Seal (Outer)		19333	1996-1987 FTR:		
Bearing (Inner)		BR29586/BR29520	Bearing (Outer)		BR32215
Bearing (Outer)		BR28680/BR28622	2009-2005 NRR:		
2009-2005 NRR:			Seal (Inner)		31490
Seal (Inner)		31490	Seal (Outer)		19333
Seal (Outer)		19333			

(Continued)

✦ Use Existing Part Number to Depletion, Then Reorder New Number Listed Below. [] Indicates Quantity Required.

Isuzu Truck EVR, FRR, FSR, FTR, FVR, HTR, HVR, NPR, NQR, NRR -- (Cont.)

MFG./YEAR	MODEL & LOCATION	PART NO.	MFG./YEAR	MODEL & LOCATION	PART NO.
Wheel Rear (Cont.)					
1996-1987 FRR & FSR:					
	Seal (Inner)	37408			
	Seal (Outer)	22284			
	Bearing (Inner)	BR32215			
	Bearing (Outer)	BR32213			
1994-1988 EVR & FVR:					
	Seal (Inner)	46060			
	Seal (Outer)	30771			

Mitsubishi Fuso Truck FE, FE120, FE125, FE140, FE145, FE180, FG, FG140, FK, FK200, FK260, FM

Wheel Front			Wheel Rear		
2013-2012 Canter FE125 & Canter FE160:			2013-2012 Canter FE125 & Canter FE160:		
	Bearing (Inner)	BR30210		Bearing (Outer)	30211 J2/Q
	Bearing (Outer)	BR30207	2013-2012 Canter FG4X4:		
2011-2005 FE120, FE125, FE140, FE145 w/ Air Brks.:				Bearing (Inner)	30211 J2/Q
	Bearing (Inner)	BR30210	2011-2005 FK200 & FK260:		
	Bearing (Outer)	BR30207		Bearing (Inner)	BR32215
2011-2005 FE120, FE125, FE140, FE145 w/ Exhaust Brks.:				Bearing (Outer)	BR32213
	Bearing (Outer)	BR32207	2011-2005 FE120, FE125, FE140 & FE145:		
2009-2005 FE180:				Bearing (Outer)	30211 J2/Q
	Bearing (Outer)	BR32207	2011-2005 FG140:		
1993-1987 FE & FG w/o Exhaust Brks.:				Bearing (Outer)	30211 J2/Q
	Bearing (Outer)	BR30207	2004-1998 FG:		
1993-1987 FE & FG w/ Exhaust Brks.:				Bearing (Outer)	30211 J2/Q
	Bearing (Outer)	BR32207			

RAM 1 1/2 Ton, 2 Ton, 4500 Series, 5500 Series

Wheel Front (2 W/D)			Wheel Rear		
2015-2011 4500 & 5500 Series:			2015-2011 4500 & 5500 w/ Auto Trans.:		
	Hub Assembly	BR930508		Seal	34928
	Sensor Harness	SC508		Bearing (Inner)	BR33281/BR33462
Wheel Front (4 W/D)				Bearing (Outer)	BR39250/BR39412
2015-2011 4500 & 5500 Series:					
	Hub Assembly	BR930508			
	Sensor Harness	SC508			

UD 2300DH, 2300LP

Wheel Rear					
2013-2005 All:					
	Bearing (Inner)	BR32215			

UD 2600

Wheel Rear					
2010-1989 All:					
	Bearing (Inner)	BR32215			

UD 3300

Wheel Front					
2013-1999 All:					
	Seal	51182			
1994-1989 All:					
	Seal				

NOTES

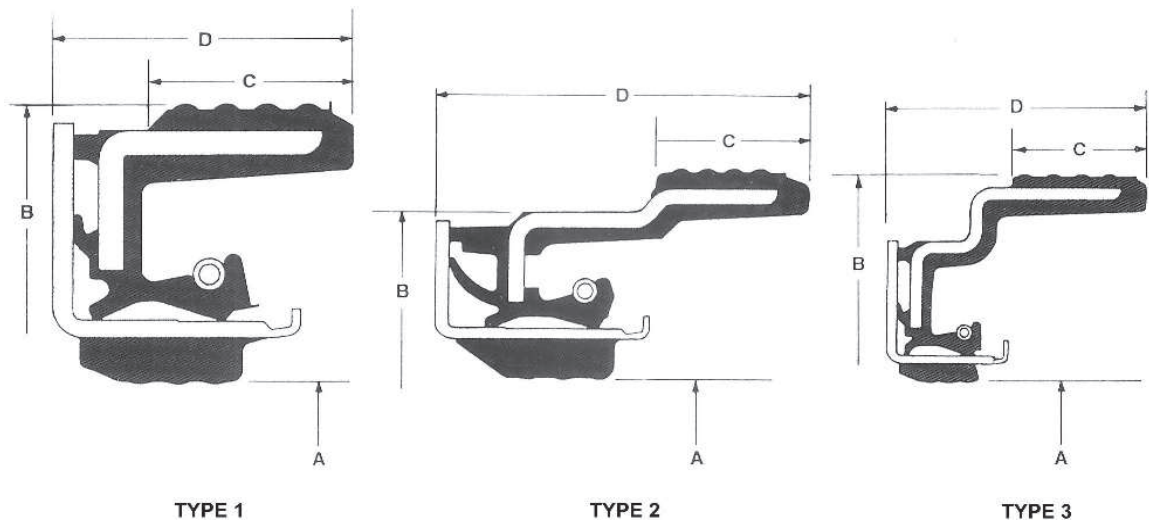
TRAILER, TAG &
PUSHER AXLES

FRONT
AXLES

DRIVE
AXLES

**MEDIUM
TRUCK**

Scotseal PlusXL

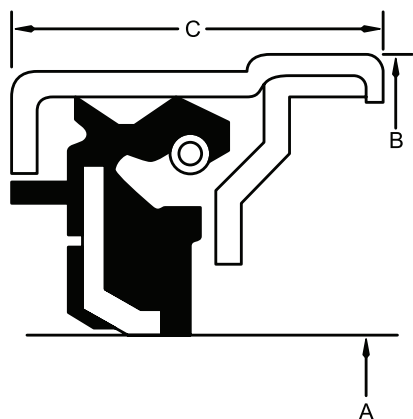


Scotseal PlusXL no.	Type	Shaft diam. (A)	Seal O.D. (B)	Pressfit width (C)	Overall width (D)
23590	1	2.359	3.949	0.575	0.686
28759	1	2.875	3.886	0.535	0.824
29400	1	2.948	4.730	0.526	0.630
34384	1	3.438	4.770	0.598	0.700
34971	1	3.500	4.557	0.512	0.900
34994*	1	3.500	4.765	0.409	0.706
35058	2	3.500	4.854	0.580	0.903
38776	3	3.875	5.704	0.580	0.892
39426	1	3.938	5.526	0.478	0.591
39979	1	4.000	5.137	0.517	0.953
40091	1	4.000	5.639	0.376	0.688
40129	2	4.000	5.767	0.594	0.995
42627	2	4.250	6.025	0.581	0.971
42673	3	4.250	6.267	0.852	1.245
43754	2	4.375	5.764	0.594	0.995
43761	2	4.375	5.918	0.585	1.000
44916	1	4.500	5.389	0.548	0.975
45093	1	4.500	5.764	0.659	0.767
45095	2	4.500	5.890	0.581	1.009
45157	1	4.500	6.264	0.470	0.750
46300	2	4.625	6.014	0.562	0.912
47691	1	4.767	6.324	0.562	1.035
47692 ◇	2	4.767	6.326	0.559	1.420
48002	1	4.766	6.264	0.433	0.795

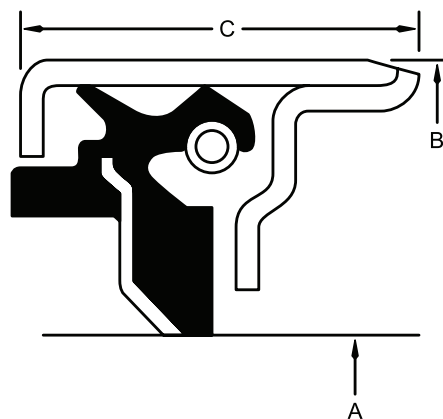
* Fits Cup Bore

◇ Use to depletion and reorder 47691

Scotseal *Classic* and Scotseal *Longlife*



TYPE 1



TYPE 2

Scotseal no.	Type	Shaft diam. (A)	O.D. (B)	Overall width (C)
27438	1	2.750	3.784	0.762
28758	1	2.875	3.881	0.750
28820	1	2.875	4.131	0.844
28832	1	2.875	4.181	0.844
31175*	2	3.125	4.131	0.781
31244*	1	3.125	4.381	0.781
31281	1	3.125	4.506	0.672
31323	1	3.125	4.631	0.672
32470	1	3.250	4.506	0.672
34387	1	3.438	4.762	0.859
34975	2	3.500	4.552	0.862
35000*	1	3.500	4.631	0.986
35060*	1	3.500	4.819	0.906
35066	1	3.500	4.847	0.904
35072	1	3.500	4.857	0.904
35075	1	3.500	5.006	0.891
35103†	1	3.500	4.847	0.904
36285*	1	3.625	4.819	0.906
36358	1	3.625	5.006	0.859
36365	1	3.625	5.006	0.891
38709	1	3.875	5.134	0.844
38736	1	3.875	5.255	0.844
38747	2	3.875	5.381	1.016
38750	1	3.875	5.506	0.938

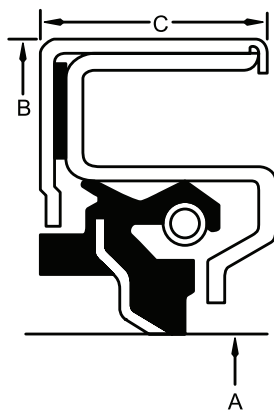
Scotseal no.	Type	Shaft diam. (A)	O.D. (B)	Overall width (C)
38780	1	3.875	5.696	0.938
39380	2	3.938	5.381	1.016
39420	1	3.938	5.506	0.938
39425	1	3.938	5.509	1.016
39988	1	4.000	5.131	1.047
40040	1	4.000	5.381	1.016
40086	3	4.000	5.631	0.688
40136	1	4.000	5.759	1.079
40139	1	4.000	5.765	1.079
42550	1	4.250	5.506	0.938
42623	1	4.250	6.014	0.984
42624	1	4.250	6.048	0.984
42625	5	4.250	6.020	1.122
42631†	1	4.250	6.014	0.984
42672	1	4.250	6.259	1.250
42800	1	4.266	6.071	0.875
43752	1	4.375	5.756	1.016
43764	1	4.375	5.910	1.000
43800*	1	4.375	6.008	1.047
43860	1	4.375	6.259	0.922
43865	1	4.375	6.259	1.047
43875	1	4.375	6.316	1.125
44922	1	4.500	5.381	0.984
44964	1	4.500	5.506	0.750

(continued)

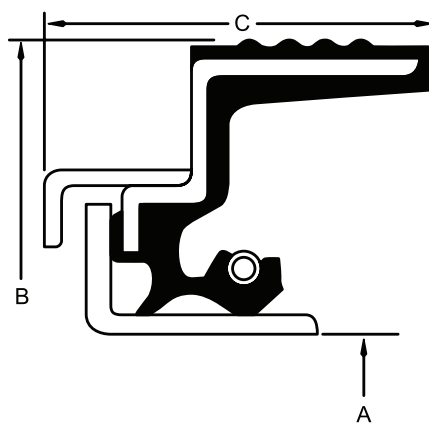
* Fits cup bore † Longlife version

Scotseal must be installed with tools listed in this catalog.

Scotseal Classic and Scotseal Longlife



TYPE 3



TYPE 5

Scotseal no.	Type	Shaft diam. (A)	O.D. (B)	Overall width (C)
45010	1	4.500	5.506	0.938
45099	1	4.500	5.756	1.016
45103	1	4.500	5.881	0.984
45152	1	4.500	6.316	1.125
45160	1	4.500	6.259	1.047
45162	1	4.500	6.446	0.938
46305	1	4.625	6.006	1.063
46308 [†]	1	4.625	6.006	1.063
46390	1	4.635	6.014	1.031
47483*	1	4.750	6.006	1.063
47690*	1	4.766	6.006	1.063

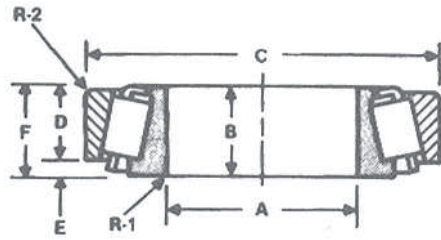
Scotseal no.	Type	Shaft diam. (A)	O.D. (B)	Overall width (C)
47693 [†]	1	4.767	6.316	1.125
47697	1	4.766	6.316	1.125
47698	1	4.767	6.320	1.125
47699	1	4.766	7.006	1.250
48000	1	4.766	6.259	1.047
48690	1	4.875	6.006	0.875
48794	1	4.875	6.384	0.938
48796	1	4.875	6.446	0.938
48884	1	4.875	6.508	1.063
50124	1	5.000	6.259	1.047
52658	1	5.250	7.381	0.945

* Fits cup bore † Longlife version

Scotseal must be installed with tools listed in this catalog.

Note: Oil seals are usually installed in the OEM seal bore. However, on some applications, they are installed in the bearing cup bore.

Bearings

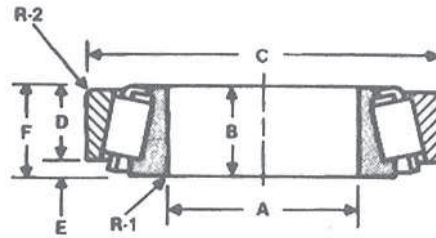


Cone part no.	Cup part no.	Cone			Cup			Standout (E)	Set width (F)
		I.D. (A)	Length (B)	Radius (R-1)	O.D. (C)	Length (D)	Radius (R-2)		
495-AX VP	BR493	3.0000	1.1720	0.2500	5.3750	0.8750	0.1300	0.3125	1.1875
555-S VP	552-A VP	2.2500	1.4440	0.1400	4.8750	1.1875	0.1300	0.3125	1.5000
557-A	553-X	2.3750	1.4440	0.3100	4.8125	1.1875	0.1300	0.3125	1.5000
557-S VP	552-A VP	2.1250	1.4440	0.1400	4.8750	1.1875	0.1300	0.3125	1.5000
594-A VP	592-A VP	3.7500	1.4300	0.2000	6.0000	1.1875	0.1300	0.3750	1.5625
598-A VP	592-A VP	3.6250	1.4300	0.2500	6.0000	1.1875	0.1300	0.3750	1.5625
6386-A	BR6320	2.6250	2.2050	0.3400	5.3447	1.7500	0.1300	0.3750	2.1250
6461-A VP	BR6420	3.0000	2.1350	0.3800	5.8750	1.7500	0.1300	0.3750	2.1250
663-A	BR653	3.2500	1.6250	0.2700	5.7500	1.2500	0.1300	0.3750	1.6250
665-A VP	BR653	3.3750	1.6250	0.2500	5.7500	1.2500	0.1300	0.3750	1.6250
681-A VP	BR672	3.6250	1.6250	0.2500	6.6250	1.1875	0.1300	0.4375	1.6250
749-A VP	BR742	3.2500	1.8375	0.1400	5.9090	1.4375	0.1300	0.3125	1.7500
756-A	BR752	3.1250	1.9000	0.3100	6.3750	1.5000	0.1300	0.3750	1.8750
BR25572	BR25520	1.5000	1.0000	0.0300	3.2650	0.7500	0.0300	0.1875	0.9375
BR25580	BR25523	1.7500	1.0000	0.1400	3.2650	0.8750	0.0900	0.1875	1.0625
BR25877	BR25820	1.3750	0.9688	0.0600	2.8750	0.7500	0.0900	0.1875	0.9375
BR25880	BR25820	1.4365	0.9688	0.0600	2.8750	0.7500	0.0900	0.1875	0.9375
BR26878	BR26820	1.5000	1.0000	0.0300	3.1562	0.8125	0.1300	0.1875	0.9375
BR2780	BR2720	1.4365	1.0100	0.0600	3.0000	0.7500	0.1300	0.1875	0.9375
BR2796	BR2720	1.3750	1.0100	0.1400	3.0000	0.7500	0.1300	0.1875	0.9375
BR28682	BR28622	2.2500	0.9688	0.1400	3.8437	0.7656	0.0300	0.2032	0.9688
BR28995	BR28920	2.4700	1.0000	0.1400	4.0000	0.7813	0.1200	0.2187	1.0000
BR3196	BR3120	1.3125	1.1810	0.1400	2.8593	0.9375	0.1300	0.2500	1.1875
BR33281	BR33462	2.8125	1.1875	0.1400	4.6250	0.9375	0.1300	0.2500	1.1875
BR33287	BR33462	2.8750	1.1875	0.1400	4.6250	0.9375	0.1300	0.2500	1.1875
BR33891	BR33821	2.0625	1.1250	0.1400	3.7500	0.8750	0.0900	0.2188	1.9380
BR33895	BR33821	2.1250	1.1250	0.0600	3.7500	0.8750	0.0900	0.2188	1.9380
BR3585	BR3525	1.6250	1.2160	0.0600	3.4375	0.9375	0.1300	0.2500	1.1875
BR3779	BR3720	1.8750	1.1930	0.1400	3.6718	0.9375	0.1300	0.2500	1.1875
BR3782	BR3720	1.7500	1.1930	0.1400	3.6718	0.9375	0.1300	0.2500	1.1875
BR3877	BR3820	1.6250	1.1875	0.1400	3.3750	0.9375	0.1300	0.2500	1.1875
BR39250	BR39412	2.5000	0.8661	0.0800	4.1250	0.6250	0.0800	0.2188	0.8438
BR39580	BR39520	2.2500	1.1875	0.1400	4.4375	0.9675	0.1300	0.2500	1.1875

(continued)

¹No longer available—reference only

Bearings

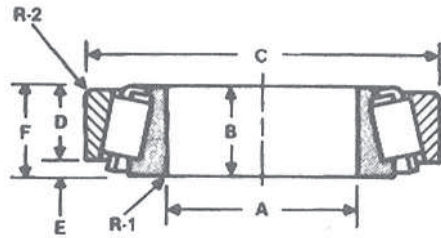


Cone part no.	Cup part no.	Cone			Cup			Standout (E)	Set width (F)
		I.D. (A)	Length (B)	Radius (R-1)	O.D. (C)	Length (D)	Radius (R-2)		
BR39581	BR39520	2.2500	1.1875	0.3100	4.4375	0.9675	0.1300	0.2500	1.1875
BR39585	BR39520	2.5000	1.1875	0.1400	4.4375	0.9675	0.1300	0.2500	1.1875
BR39590	BR39520	2.6250	1.1875	0.1400	4.4375	0.9675	0.1300	0.2500	1.1875
BR39590	BR39521	2.6250	1.1875	0.1400	4.4375	0.9375	0.0300	0.2500	1.1875
BR3979	BR3920	2.2500	1.1830	0.1400	4.4375	0.9375	0.1300	0.2500	1.1875
BR3982	BR3920	2.5000	1.1830	0.1400	4.4375	0.9375	0.1300	0.2500	1.1875
BR3984	BR3920	2.6250	1.1830	0.1400	4.4375	0.9375	0.1300	0.2500	1.1875
BR42687	BR42620	3.0000	1.2205	0.1400	5.0000	0.8750	0.1300	0.3125	1.1875
BR42688	BR42620	3.0000	1.2205	0.2500	5.0000	0.8750	0.1300	0.3125	1.1875
BR45280	BR45220	1.7500	1.2188	0.0300	4.1250	0.9375	0.1300	0.2500	1.1875
BR45282	BR45220	1.8750	1.2188	0.1400	4.1250	0.9375	0.1300	0.2500	1.1875
BR45284	BR45220	2.0000	1.2188	0.2500	4.1250	0.9375	0.1300	0.2500	1.1875
BR45287	BR45220	2.1250	1.2188	0.0300	4.1250	0.9375	0.1300	0.2500	1.1875
BR462	453-X VP	2.2500	1.1542	0.0900	4.1250	0.9687	0.1300	0.2188	1.1875
BR47678	BR47620	3.0000	1.3125	0.2500	5.2500	1.0313	0.1300	0.2812	1.3125
BR47679	BR47620	3.0000	1.3125	0.1400	5.2500	1.0313	0.1300	0.2812	1.3125
BR47686	BR47620	3.2500	1.3125	0.1400	5.2500	1.0313	0.1300	0.2812	1.3125
BR47890	BR47820	3.6250	1.3750	0.1400	5.7500	1.0313	0.1300	0.2812	1.3125
BR52400	BR52618	4.0000	1.4219	0.1400	6.1875	1.0313	0.1300	0.4062	1.4375
BR52401	BR52637	4.0000	1.4219	0.3100	6.3750	1.0313	0.1300	0.4062	1.4375
BR528	BR522	1.8750	1.4200	0.1400	4.0000	1.0625	0.1300	0.3125	1.3750
BR559	552-A VP	2.5000	1.4440	0.1400	4.8750	1.1875	0.1300	0.3125	1.5000
BR479 ¹	472-A	2.6250	1.1420	0.0900	4.7240	0.9230	0.1300	0.2188	1.1418
BR52400	BR52618	4.0000	1.4219	0.1400	6.1875	1.0313	0.1300	0.4062	1.4375
BR52401	BR52637	4.0000	1.4219	0.3100	6.3750	1.0313	0.1300	0.4062	1.4375
BR526 ¹	BR522	1.6250	1.4200	0.1400	4.0000	1.0625	0.1300	0.3125	1.3750
BR528	BR522	1.8750	1.4200	0.1400	4.0000	1.0625	0.1300	0.3125	1.3750
BR537	532-A ¹	2.0000	1.4550	0.1400	4.3750	1.1875	0.1300	0.3125	1.5000
BR5557 ¹	BR5520	2.6875	2.0355	0.1400	4.7343	1.4375	0.1300	0.6250	2.0625
BR559	552-A VP	2.5000	1.4440	0.1400	4.8750	1.1875	0.1300	0.3125	1.5000
BR560	552-A VP	2.6250	1.4440	0.1400	4.8750	1.1875	0.1300	0.3125	1.5000
BR560	553-X	2.6250	1.4440	0.1400	4.1825	1.1875	0.1300	0.3125	1.5000
BR567	BR563	2.8750	1.4240	0.1400	5.0000	1.1250	0.1300	0.3125	1.4375

(continued)

¹No longer available—reference only

Bearings

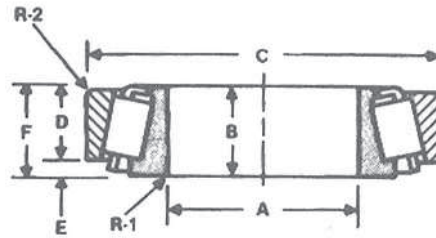


Cone part no.	Cup part no.	Cone			Cup			Standout (E)	Set width (F)
		I.D. (A)	Length (B)	Radius (R-1)	O.D. (C)	Length (D)	Radius (R-2)		
BR568	BR563	2.9062	1.4240	0.0300	5.0000	1.1250	0.1300	0.3125	1.4375
BR575	BR572	3.0000	1.4212	0.1400	5.5115	1.1250	0.1300	0.3125	1.4375
BR5760	BR5735	3.0000	1.8150	0.1400	5.3438	1.3750	0.1300	0.3750	1.7500
BR580	BR572	3.2500	1.4212	0.1400	5.5115	1.1250	0.1300	0.3125	1.4375
BR582	BR572	3.2500	1.4212	0.2700	5.5115	1.1250	0.1300	0.3125	1.4375
BR593	592-A VP	3.5000	1.4300	0.1400	6.0000	1.1875	0.1300	0.3750	1.5625
BR594	592-A VP	3.7500	1.4300	0.1400	6.0000	1.1875	0.1300	0.3750	1.5625
BR595	592-A VP	3.2500	1.4300	0.1400	6.0000	1.1875	0.1300	0.3750	1.5625
BR596	592-A VP	3.3750	1.4300	0.1400	6.0000	1.1875	0.1300	0.3750	1.5625
BR598	592-A VP	3.6250	1.4300	0.1400	6.0000	1.1875	0.1300	0.3750	1.5625
BR6379	BR6320	2.5625	2.2050	0.1400	5.3447	1.7500	0.1300	0.3750	2.1250
BR6386	BR6320	2.6250	2.2050	0.1700	5.3447	1.7500	0.1300	0.3750	2.1250
BR6389	BR6320	2.6250	2.2050	0.2500	5.3447	1.7500	0.1300	0.3750	2.1250
BR639	BR633	2.5000	1.6250	0.1400	5.1250	1.2500	0.1300	0.3750	1.6250
BR641	BR632	2.6250	1.6250	0.1400	5.3750	1.2500	0.1300	0.3750	1.6250
BR641	BR633	2.6250	1.6250	0.1400	5.1250	1.2500	0.1300	0.3750	1.6250
BR643	BR632	2.7500	1.6250	0.1400	5.3750	1.2500	0.1300	0.3750	1.6250
BR6461	BR6420	3.0000	2.1350	0.1400	5.8750	1.7500	0.1300	0.3750	2.1250
BR6580	BR6535	3.5000	2.1693	0.1400	6.3750	1.6875	0.1300	0.4375	2.1250
BR659 ¹	BR653	3.0000	1.6250	0.1400	5.7500	1.2500	0.1300	0.3750	1.6250
BR663	BR652	3.2500	1.6250	0.1400	6.0000	1.2500	0.1300	0.3750	1.6250
BR663	BR653	3.2500	1.6250	0.1400	5.7500	1.2500	0.1300	0.3750	1.6250
BR68462	BR68712	4.6250	1.2500	0.1400	7.1250	1.0000	0.1300	0.3750	1.3750
BR664 ¹	BR652	3.3125	1.6250	0.1400	6.0000	1.2500	0.1300	0.3750	1.6250
BR665	BR652	3.3750	1.6250	0.1400	6.0000	1.2500	0.1300	0.3750	1.6250
BR665	BR653	3.3750	1.6250	0.1400	5.7500	1.2500	0.1300	0.3750	1.6250
BR68462	BR68712	4.6250	1.2500	0.1400	7.1250	1.0000	0.1300	0.3750	1.3750
BR687	BR672	4.0000	1.6250	0.1400	6.6250	1.1875	0.1300	0.4375	1.6250
BR740	BR742	3.1875	1.8375	0.2000	5.9090	1.4375	0.1300	0.3125	1.7500
BR749	BR742	3.3475	1.8375	0.1400	5.9090	1.4375	0.1300	0.3125	1.7500
BR759	BR752	3.5000	1.9000	0.1400	6.3750	1.5000	0.1300	0.3750	1.8750
BR760	BR752	3.5625	1.9000	0.1400	6.3750	1.5000	0.1300	0.3750	1.8750
BR776	BR772	3.7500	1.8900	0.1400	7.1250	1.5000	0.1300	0.3750	1.8750

(continued)

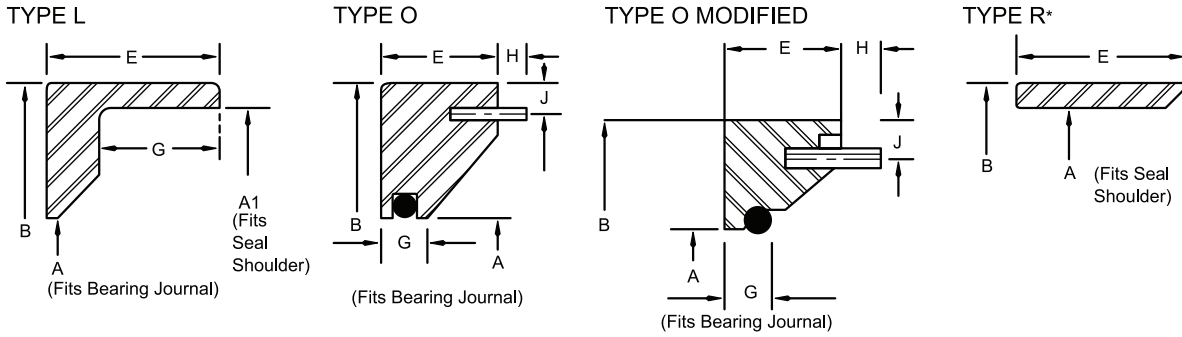
¹No longer available—reference only

Bearings



Cone part no.	Cup part no.	Cone			Cup			Standout (E)	Set width (F)
		I.D. (A)	Length (B)	Radius (R-1)	O.D. (C)	Length (D)	Radius (R-2)		
BR780	BR772	4.0000	1.8900	0.1400	7.1250	1.5000	0.1300	0.3750	1.8750
H715345 VP	H715311 VP	2.8125	1.8125	0.1400	5.3750	1.4375	0.1300	0.3750	1.1825
HH506348	HH506310	1.9375	1.7500	0.1400	4.5000	1.4200	0.1300	0.3300	1.7500
HM212044 VP	HM212011 VP	2.3750	1.5100	0.3100	4.8125	1.1700	0.1300	0.3300	1.5000
HM212046 VP	HM212011 VP	2.5000	1.5100	0.1400	4.8125	1.1700	0.1300	0.3300	1.5000
HM212047 VP	HM212011 VP	2.5000	1.5100	0.1400	4.8125	1.1700	0.1300	0.3300	1.5000
HM212049 VP	HM212011 VP	2.6250	1.5100	0.1400	4.8125	1.1700	0.1300	0.3300	1.5000
HM212049-X VP	HM212011 VP	2.6250	1.5100	0.2800	4.8125	1.1700	0.1300	0.3300	1.5000
HM218248 VP	HM218210 VP	3.5433	1.5748	0.2800	5.7874	1.2795	0.1400	0.2953	1.5748
HM516449-C VP	HM516410 VP	3.2500	1.5625	0.1400	5.2500	1.2813	0.1300	0.2812	1.5625
HM518445 VP	HM518410 VP	3.5000	1.5625	0.2500	6.0000	1.1875	0.1300	0.3750	1.5625
HM617049	HM617010	3.3750	1.6875	0.1900	5.5960	1.3438	0.1200	0.3437	1.6875
JM205149-A	JM205110 VP	1.9685	1.1024	0.2000	3.5433	0.9055	0.1000	0.1185	1.0240
JM207049-A VP	JM207010	2.1654	1.1417	0.2400	3.7402	0.9250	0.1000	0.2167	1.1417
JM511946 VP	JM511910 VP	2.5591	1.1024	0.1200	4.3307	0.8858	0.1000	0.2166	1.1024
JM718149 VP	JM718110 VP	3.5433	1.3386	0.1200	5.7087	1.0630	0.1000	0.3150	1.3780
JM719149	JM719113	3.7402	1.3386	0.1200	5.9055	1.0630	0.1000	0.3150	1.3780

Bearing spacers



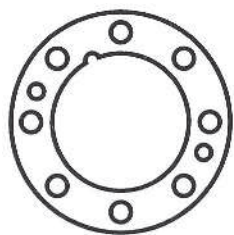
Part no.	Replacement O-ring		I.D. (A)	O.D. (B)	Overall width (E)	Width (G)	Ext. (H)	(J)	Type
	Part no.	Std. ARP no. (2)							
450208	717152 ◇	6230-16	3.502	4.635	0.625	0.313	0.250	0.192	O
455019	(1)	—	3.583 (A1) 4.557	4.875	0.750	0.594	—	—	L
455024*	(1)	—	3.836	4.250	0.940	—	—	—	R*
455031	717155-4	568-231	2.629	4.000	0.750	0.375	0.250	0.250	O (Mod.)
455054	(1)	—	4.752 (A1) 5.226	5.500	0.812	0.662	—	—	L
456301	717155-4	568-231	2.629	4.000	0.750	0.237	0.250	0.250	O

(1) No O-ring required

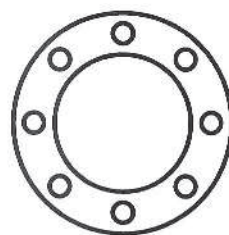
* Adhesive recommended

◇ Component item only, not sold separately

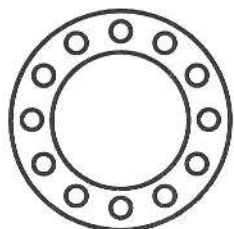
Drive axle flange gaskets



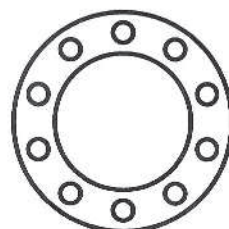
Type
1
8 Hole



Type
2
8 Hole



Type
3
12 Hole



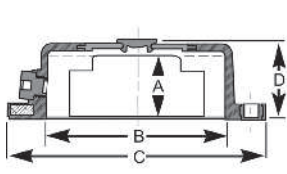
Type
4
10 Hole

Part no.	Type	I.D.	O.D.	Bolt circle	Hole size	No. of holes
450802-10	4	5.875	8.500	7.250	0.609	10
450874-10	2	5.500	8.625	7.000	0.813	8
450876-10	2	6.000	8.250	7.000	0.625	8
450877-10	1	5.625	8.500	7.000	0.750	8
450879-10	2	4.500	6.125	5.313	0.500	8
450980-10	2	5.375	7.375	6.375	0.563	8
450981-10	2	5.750	8.375	7.000	0.625	8
450982-10	2	4.000	6.438	5.500	0.625	8
450983-10	3	4.500	6.063	5.250	0.500	12

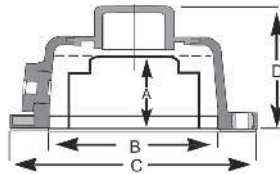
Scotseal TF oil hubcaps

How to determine correct hubcap for mounting

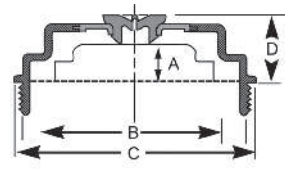
Bolt-on-caps: Count the number of mounting holes, measure diameter of bolts; measure bolt circle (select 2 holes opposite each other and measure from the center of one bolt hole to the center of the one opposite).



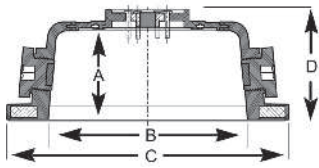
TF1



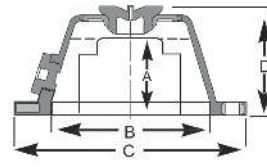
TF3



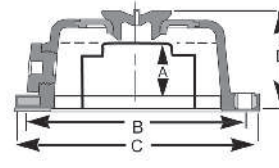
TF4



TF5



TF7



TF8

Part no.				Bolt holes	Hole size	Bolt circle	Max. axle Ext. (A)	Hubcap size			Type
Hubcap kit	Gasket	Plug	Side fill					I.D. (B)	O.D. (C)	Height (D)	
1282 ²	454051-4	450434-4	-	6.250 x 8.000 O.D.	Threaded	1.500	6.060	6.875	1.875	TF4	
1600 ³	453795-8	-	453770-4 ⁵	6	0.349	5.500-5.562	1.957	4.412	6.250	3.082	TF3
1608 ¹	453868-8	453879-4	453811-4	4	0.349	3.625	1.745	2.380	4.313	2.024	TF8
1612 ¹	453869-8	453807-4	453811-4	6	0.349	4.500	1.817	3.480	5.250	2.609	TF8
1613 ¹	453795-8	453879-4	453942-4	6	0.349	5.500-5.562	1.561	4.365	6.250	1.643	TF1
1623	453909-8	450434-4	453770-4 ⁵	6	0.349	5.125-5.250	2.064	4.112	6.000	2.632	TF8
1627	-	450434-4	453770-4 ⁵	3	0.416	5.250	2.064	4.112	6.000	2.632	TF8
1630 ¹	453795-8	453807-4	453811-4	6	0.349	5.500-5.562	2.157	4.270	6.250	2.727	TF7
1642	453818-4	450434-4	453770-4 ⁵	5	0.349	5.500	1.667	4.420	6.250	2.469	TF8
1643	453795-8	450434-4	453770-4 ⁵	6	0.349	5.500-5.562	1.667	4.420	6.250	2.469	TF8
1644 ¹	453795-8	453807-4	453811-4	6	0.349	5.500-5.562	1.667	4.420	6.250	2.469	TF8
1665	453909-8	450434-4	453770-4 ⁵	6	0.349	5.125-5.250	1.337	4.112	6.000	1.905	TF8
1669 ¹	453918-8	453813-4	-	6	0.349	5.875	1.260	4.695	6.580	1.600	TF8
1670 ¹	453825-8	450434-4	453770-4 ⁵	6	0.286	6.625	1.775	5.506	7.344	2.564	TF8
1681	453915-8	450434-4	453770 ⁵	4	0.349	5.500	1.312	4.040	5.615	2.100	TF8
1691 ¹	453795-8	453879-4	453942-4	6	0.349	5.500-5.562	1.044	4.237	6.250	1.397	TF1
1696	450799-8	450434-4	453770 ⁵	6	0.349	6.750	2.887	5.625	7.500	3.805	TF8
1698	453906-8	450434-4	453770 ⁵	6	0.416	6.000	1.937	4.980	6.750	2.507	TF8
1943 ⁴	453795-8	-	453770(2) ⁵	6	0.349	5.500-5.562	1.703	4.420	6.250	2.431	TF5
1996 ⁴	450799-8	-	453770(2) ⁵	6	0.349	6.750	2.805	5.627	7.500	3.640	TF5

¹ Black

² Lexan design

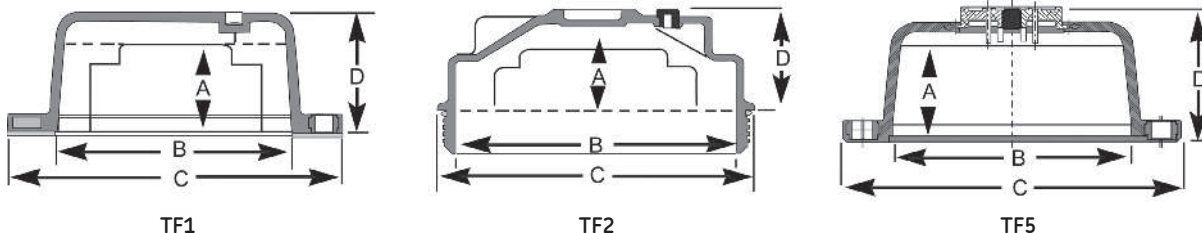
⁴ Designed for PSI system

⁵ Component item only, not sold separately

Grease (tamper-proof) hubcaps

How to determine correct hubcap for mounting

Bolt-on-caps: Count the number of mounting holes, measure diameter of bolts; measure bolt circle (select 2 holes opposite each other and measure from the center of one bolt hole to the center of the one opposite).



Part no.		Bolt holes	Hole size	Bolt circle	Max. axle Ext. (A)	Hubcap size			Type
Hubcap kit	Replacement gasket					I.D. (B)	O.D. (C)	Height (D)	
1284 ¹	454051-4	6	6.250 x 8.000 O.D.	Threaded	1.500	6.060	6.875	1.875	TP2
1326	453869-8	6	0.349	4.500	1.878	3.480	5.250	2.370	TP1
1327	453795-8	6	0.349	5.500	1.703	4.440	6.250	2.161	TP1
1343	453795-8	6	0.349	5.500-5.562	1.703	4.420	6.250	2.161	TP1
1396	450799-8	6	0.349	6.750	2.805	5.627	7.500	3.370	TP1
1399	450799-8	6	0.349	6.750	2.805	5.627	7.500	3.370	TP1
1443 ²	453795-8	6	0.349	5.500-5.562	1.703	4.420	6.250	2.431	TP5
1499 ²	450799-8	6	0.349	6.750	2.805	5.627	7.500	3.640	TP5

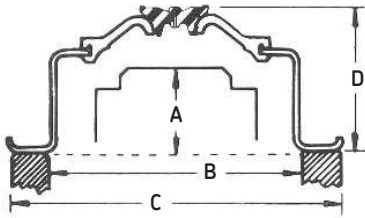
¹ Black

² Designed for PSI system

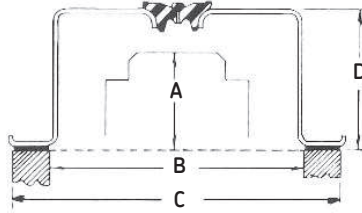
Steel hubcap specifications numerical list

How to determine correct hubcap for mounting

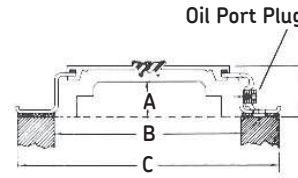
Bolt-on-caps: Count the number of mounting holes, measure diameter of bolts; measure bolt circle (select 2 holes opposite each other and measure from the center of one bolt hole to the center of the one opposite).



Type H3



Type H4



Type H6

Part no.					Max. axle	Hubcap size				
Hubcap kit	Replacement		Bolt holes	Bolt size	Bolt circle	Ext. (A)	I.D. (B)	O.D. (C)	Height (D)	Type
	Gasket	Plug								
1702	-	450434-4	6	0.349	5.875	1.835	4.525	7.000	2.790	H3
1703	450781-8	453813-4	6	0.349	5.562	1.625	4.540	6.625	1.943	H6
1711	450755-8	450434-4	6	0.349	4.500	1.688	3.413	5.250	2.671	H3
1715	-	450434-4	4	0.281	5.000	2.315	3.912	6.250	3.266	H3
1723	450748-8	450434-4	6	0.344	5.125	2.315	3.912	6.000	3.270	H3
1727	450777-8	450434-4	3	0.346	5.250	2.315	3.912	6.250	3.270	H3
1742	450775-8	450434-4	5	0.344	5.500	1.835	4.525	6.313	2.820	H3
1743	453795-8	450434-4	6	0.313	5.500	1.835	4.525	6.313	2.790	H3
1744 ¹	453795-8	450434-4	6	0.349	5.500	1.742	4.525	6.313	2.683	H3
1753	453795-8	450434-4	6	0.349	5.500	1.835	4.525	6.320	2.704	H4
1754	450760 ²	450434-4	8	0.406	7.750	2.000	5.625	8.750	2.919	H3
1765	450748-8	450434-4	6	0.344	5.125	1.190	4.288	6.625	2.145	H3
1770	450768-8	450434-4	6	0.281	6.625	1.835	4.540	7.313	2.655	H3
1787	-	453813-4	6	0.344	5.875	1.485	4.540	6.875	1.808	H6
1788	450788-8	453813-4	6	0.344	5.500	1.485	4.540	6.625	1.808	H6
1790	450788-8	453813-4	6	0.344	5.500	0.995	4.540	6.625	1.333	H6
1796	450799-8	450434-4	6	0.328	6.750	2.192	5.290	7.710	3.040	H4
1798	450752-8	450617-4	6	0.406	6.000	2.250	4.970	6.938	3.205	H3
1799	450799-8	450434-4	6	0.328	6.750	2.086	5.290	7.710	3.147	H3

¹ Black

² No longer available - for reference only

Hubcap bolt circle reference

Bolt-on-caps: Count the number of mounting holes, measure diameter of bolts; measure bolt circle (select 2 holes opposite each other and measure from the center of one bolt hole to the center of the one opposite).

Screw-on-caps: Male threads; measure O.D. and determine the number of threads per inch.

Bolt circle	Bolt holes	Hole size	Max. axle	Hubcap size			Type	Hubcap kit	Style	Application
			Ext. (A)	I.D. (B)	O.D. (C)	Height (D)				
3.625	4	.349	1.745	2.380	4.313	2.024	TF8	1608²	Zytel	Oil
4.500	6	.349	1.688	3.413	5.250	2.671	H3	1711	Steel	Oil
4.500	6	.349	1.817	3.480	5.250	2.609	TF8	1612²	Zytel	Oil
5.000	4	.281	2.315	3.912	6.250	3.266	H3	1715	Steel	Oil
5.125	6	.344	2.315	3.912	6.000	3.270	H3	1723	Steel	Oil
5.125	6	.344	1.190	4.288	6.625	2.145	H3	1765	Steel	Oil
5.125-5.250	6	.349	1.337	4.112	6.000	1.905	TF8	1665	Zytel	Oil
5.125-5.250	6	.349	2.064	4.112	6.000	2.632	TF8	1623	Zytel	Oil
5.250	3	.346	2.315	3.912	6.250	3.270	H3	1727	Steel	Oil
5.250	3	.416	2.064	4.112	6.000	2.632	TF8	1627	Zytel	Oil
5.500	4	.349	1.312	4.060	5.615	2.100	TF8	1681	Zytel	Oil
5.500	5	.344	1.835	4.525	6.313	2.820	H3	1742	Steel	Oil
5.500	5	.349	1.667	4.420	6.250	2.469	TF8	1642	Zytel	Oil
5.500	6	.313	1.835	4.525	6.313	2.790	H3	1743	Steel	Oil
5.500	6	.349	1.742	4.525	6.313	2.683	H3	1744²	Steel	Oil
5.500	6	.349	1.835	4.525	6.320	2.704	H4	1753	Steel	Oil
5.500	6	.344	.995	4.540	6.625	1.333	H6	1790	Steel	Oil
5.500	6	.344	1.485	4.540	6.625	1.808	H6	1788	Steel	Oil
5.500	6	.343	4.333	4.750	6.250	3.131	-	1733	Lexan	Oil
5.500-5.562	6	.349	1.044	4.237	6.250	1.397	TF1	1691²	Zytel	Oil
5.500-5.562	6	.349	1.561	4.365	6.250	1.643	TF1	1613²	Zytel	Oil
5.500-5.562	6	.349	1.957	4.412	6.250	3.082	TF3	1600¹	Zytel	Oil
5.500-5.562	6	.349	2.157	4.270	6.250	2.727	TF7	1630²	Zytel	Oil
5.500-5.562	6	.349	1.667	4.420	6.250	2.469	TF8	1643	Zytel	Oil
5.500-5.562	6	.349	1.730	4.420	6.250	2.431	TF5	1943³	Zytel	Oil
5.500-5.562	6	.349	1.730	4.420	6.250	2.431	TP5	1443³	Zytel	Grease
5.500-5.562	6	.349	1.667	4.420	6.250	2.469	TF8	1644²	Zytel	Oil
5.500-5.625	6	.349	1.703	4.420	6.250	2.161	TP1	1343	Zytel	Grease
5.500-5.625	6	.349	1.703	4.420	6.250	2.161	TP1	1300¹	Zytel	Grease
5.562	6	.349	1.625	4.540	6.625	1.943	H6	1703	Steel	Oil
5.875	6	.349	1.835	4.525	7.000	2.790	H3	1702	Steel	Oil
5.875	6	.344	1.485	4.540	6.875	1.808	H6	1787	Steel	Oil

(continued)

¹ Black

² Lexan design

³ Hubodometer mount design

⁴ Designed for PSI system

Hubcap bolt circle reference

Bolt circle	Bolt holes	Hole size	Max. axle	Hubcap size			Type	Hubcap kit	Style	Application
			Ext. (A)	I.D. (B)	O.D. (C)	Height (D)				
5.875	6	.349	1.260	4.695	6.580	1.160	TF8	1669¹	Zytel	Oil
6.000	6	.406	2.250	4.970	6.938	3.205	H3	1798	Steel	Oil
6.000	6	.416	1.937	4.980	6.750	2.507	TF8	1698	Zytel	Oil
6.625	6	.281	1.835	4.540	7.313	2.655	H3	1770	Steel	Oil
6.625	6	.286	1.835	5.506	7.344	2.564	TF8	1670¹	Zytel	Oil
6.750	6	.349	2.805	5.627	7.500	3.640	TF5	1996⁴	Zytel	Oil
6.750	6	.349	2.805	5.627	7.500	3.650	TP5	1499⁴	Zytel	Grease
6.750	6	.328	2.086	5.290	7.710	3.147	H3	1799	Steel	Oil
6.750	6	.328	2.192	5.290	7.710	3.040	H4	1796	Steel	Oil
6.750	6	.349	2.887	5.625	7.500	3.805	TF8	1696	Zytel	Oil
6.750	6	.349	2.805	5.627	7.500	2.370	TP1	1399	Zytel	Grease
6.750	6	.349	2.805	5.627	7.500	3.370	TP1	1396³	Zytel	Grease
7.750	8	.406	2.000	5.625	8.750	2.919	H3	1754	Steel	Oil
Threaded	6.250 x 8.000 O.D.		1.500	6.060	6.875	1.875	TP2	1284¹	Lexan	Grease
Threaded	6.250 x 8.000 O.D.		1.500	6.060	6.875	1.875	TF4	1282	Lexan Clear	Oil

¹ Black² Lexan design³ Hubodometer mount design⁴ Designed for PSI system

Hubcap gasket specifications numerical list

Gasket	I.D.	O.D.	Bolt circle	No. of holes	Hole size	Used with
450293-8	4.500	6.250	5.500	6	0.328	1733
450748-8	4.500	5.875	5.125	6	0.328	1723, 1765
450752-8	5.000	6.875	6.000	6	0.390	1698, 1798
450755-8	3.750	5.125	4.500	6	0.328	1711
450768-8	5.000	7.313	6.625	6	0.265	1770
450775-8	4.500	6.125	5.500	5	0.328	1742
450777-8	4.500	6.125	5.250	3	0.390	1727
450781-8	4.500	6.625	5.563	6	0.328	1703
450782-8	4.500	6.250	5.500	12	0.328	*
450788-8	5.500	6.625	5.500	6	0.328	1788, 1790
450799-8	5.550	7.625	6.750	6	0.328	1399, 1499, 1696, 1799
453795-8	4.500	6.125	5.500-5.562	6	0.375	1443, 1600, 1613, 1630, 1643, 1644, 1691, 1943
453818-8	4.500	6.125	5.500	5	0.344	1642
453825-8	5.550	7.312	6.625	6	0.265	1670
453868-8	2.500	4.250	3.625	4	0.344	1608
453869-8	3.500	5.125	4.500	6	0.328	1612
453906-8	5.125	6.625	6.000	6	0.390	1698
453909-8	4.250	5.812	5.125-5.250	6	0.349	1623, 1665
453915-8	4.250	5.500	5.000	4	0.349	1681
453918-8	4.321	6.500	5.875	6	0.328	1669

* Universal Gasket

Hubcap gasket bolt circle reference

How to determine gasket required

Count the number of mounting holes; measure diameter of bolts; measure bolt circle (select 2 holes opposite each other and measure from the center of one bolt hole to the center of the one opposite).

Bolt circle	Hole size	No. of holes	I.D.	O.D.	Used with	Gasket
3.625	0.344	4	2.500	4.250	1608	453868-8
4.500	0.328	6	3.750	5.125	1711	450755-8
4.500	0.328	6	3.500	5.125	1612	453869-8
5.000	0.349	4	4.250	5.500	1681	453915-8
5.125	0.328	6	4.500	5.875	1723, 1765	450748-8
5.125 - 5.250	0.349	6	4.250	5.812	1623, 1665	453909-8
5.250	0.390	3	4.500	6.125	1727	450777-8
5.500	0.328	5	4.500	6.125	1742	450775-8
5.500	0.328	6	4.500	6.250	1733	450293-8
5.500	0.328	12	4.500	6.250	*	450782-8
5.500	0.328	6	5.500	6.625	1788, 1790	450788-8
5.500	0.344	5	4.500	6.125	1601 ¹ , 1642	453818-4
5.500 - 5.562	0.375	6	4.500	6.125	1443, 1600, 1613, 1630, 1643, 1644, 1691, 1943	453795-8
5.563	0.328	6	4.500	6.625	1703	450781-8
5.875	0.328	6	4.321	6.500	1669	453918-8
6.000	0.390	6	5.000	6.875	1798	450752-8
6.000	0.390	6	5.125	6.625	1698	453906-8
6.625	0.265	6	5.000	7.313	1770	450768-8
6.625	0.265	6	5.550	7.312	1670	453825-8
6.750	0.328	6	5.510	7.625	1399, 1499, 1696, 1799, 1996	450799-8

* Universal Gasket ¹ No longer available, reference only

How to use the competitor & manufacturer interchange

About

This interchange provides a fast conversion of manufacturer or competitor numbers to the SKF equivalent. Please note that many interchanges are made on an application basis and may not be identical in style or type.

Instructions

Locate the competitor or manufacturer part number in the left hand column. These numbers are listed in left-to-right alpha/numeric sequence. After the number has been found, note the name description next to the number. If this is the combination you require, continue reading across to find the proper SKF Scotseal or hubcap number(s).

Note: Oil bath seal interchanges reference SKF Scotseal *Classic* and *PlusXL* numbers only.

Examples

226400 <i>_Mechanix/Barrier</i>	40086	2283411 <i>_Chrysler</i>	31323	2286495 <i>_General Motor Corp.</i>	35075
226938R91 <i>_Navistar (IHC)</i>	48794	2283871 <i>_Chrysler</i>	42800	228885R91 <i>_Navistar (IHC)</i>	48794
227400 <i>_Mechanix/Barrier</i>	40086	2283871 <i>_General Motor Corp.</i>	42800		
2283411 <i>_Chrysler</i>	31307	2284159 <i>_General Motor Corp.</i>	35066		

Explanation of symbols

None:	Scotseal <i>Classic</i>	+	Grease (tamper-proof) hubcap
•	Scotseal <i>PlusXL</i>	^	Lexan® hubcap
*	Zytel® hubcap		
**	Steel hubcap		

Zytel is a DuPont material.
Lexan is a GE material.

Index of competitors & manufacturers

American General
Autocar
Bluebird Body Inc.
Chrysler
Clark Equipment
Dana-Spicer Corp. (Churabusco)
Dexter
Dorsey Trailer
Eaton Corp
Federal
FM SEAL & BRG
Ford
Four Wheel Drive
Freightliner
Fruehauf
General Motor Corp.
Greyhound
Hayes-Dana
Heil
Hendrickson
Hyster
J-M CLIPPER
Kenworth
L&S
Lufkin Ind Inc.
Mack
Marmon-Herrington
Massey-Ferguson
MCCORD/JPI
Mechanix/Barrier
Meritor
Midland Co.
Mopar
Motor Coach
Navistar (IHC)
NOK/FREUD
Oshkosh Truck Corp.
PACCAR PARTS
PAI
Payen
Peterbilt
Pierce Co. The
PWR TRN COMP
Quality Running Gear
REDNECK
REO
ROCKWELL
Rockwell Standard
Schwartz
Shuler
SLD PWR
SNR
SPICER
STEFA
Stemco
Sterling
STRICK
TIMKEN SEALS
TRISEAL
TROSTEL
Universal Coach
UOS
Utility Trailer
VICTOR
Volvo
Volvo Truck NA
Volvo/GMC/White Truck
WABASH
Walinga Body & Coach Ltd
Walker, O.S.
Ward La France
White Farm
White Truck

Competitor & manufacturer interchange

Mfr no.	Mfr.	Part no.	Mfr no.	Mfr.	Part no.	Mfr no.	Mfr.	Part no.
010-051-00	_Dexter	28758	0506-15531LUP	_J-M CLIPPER	47699	1100D6-22	_REO	34387
010-056-00	_Dexter	31281	05-336609	_White Truck	43764	1100D6-23	_REO	47699
02-01244P1	_Ward La France	35066	05-3434003	_White Truck	45160	1100D6-24	_REO	38780
02-02840	_Kenworth	40136	05-3434012	_White Truck	48297	1100D6-3	_REO	42800
02-7003942	_White Truck	1743**	070HH172	_SPICER	38776•	1100D6-5	_REO	47697
02-7003945	_White Truck	47697	070HH172	_SPICER	38779	1100D6-7	_REO	48884
02-7021377	_White Truck	38780	1.17E+97	_Navistar (IHC)	39380	1100D6-9	_REO	38780
02-7021378	_White Truck	38780	1.17E+97	_Navistar (IHC)	35066	110976	_General Motor Corp.	31244
02-7021808	_White Truck	35066	100059190	_TIMKEN SEALS	47699	110W2	_REO	1790**
02-7022919	_White Truck	35066	10030D2	_REO	48794	111199A	_Oshkosh Truck Corp.	47697
02-7023479	_White Truck	1743**	1005503	_Dexter	46300	1115959	_Volvo Truck NA	42623
02-7068936	_White Truck	43764	1005503	_Dexter	46304	1115959	_Volvo/GMC/White Truck	42623
02-7073109	_White Truck	42623	1008569	_Eaton Corp	450293	1116157	_Volvo Truck NA	35058•
02-7073176	_White Truck	40136	1008569	_Eaton Corp	450751	1116157	_Volvo/GMC/White Truck	35058•
02-7073731	_White Truck	46305	100858201	_Eaton Corp	35058•	1116157	_Volvo/GMC/White Truck	35059
02-7074117	_White Truck	42623	100858201	_Eaton Corp	35059	1116158	_Volvo Truck NA	43761•
02-7074736	_White Truck	1781**	1008584-01	_Eaton Corp	35066	1116158	_Volvo/GMC/White Truck	43761•
02-7074737	_White Truck	1787**	10092D6	_White Truck	46390	1116158	_Volvo/GMC/White Truck	43763
02-7074738	_White Truck	1788**	100W2	_REO	1711**	1116159	_Volvo Truck NA	38776•
02-7074739	_White Truck	1743**	100X140X17-1HHI	_STEFA	39426	1116159	_Volvo/GMC/White Truck	38776•
02-7074741	_White Truck	36285	1010049	_Clark Equipment	40136	1116159	_Volvo/GMC/White Truck	38779
02-7074743	_White Truck	38780	1010294	_Clark Equipment	46305	1116160	_Volvo/GMC/White Truck	1743**
02-7074744	_White Truck	40136	1010836	_Clark Equipment	40136	111908R91	_Navistar (IHC)	50124
02-7074746	_White Truck	39380	1011029	_Clark Equipment	1733**	111W2	_REO	1785
02-7074747	_White Truck	43860	1011802	_Clark Equipment	43752	111X146X17-1HHI	_STEFA	43752
02-7074748	_White Truck	35060	1012018	_Clark Equipment	43752	112876R91	_Navistar (IHC)	34994
02-7074750	_White Truck	48794	1012028	_Clark Equipment	46305	112W2	_REO	1786
02-7074751	_White Truck	46305	1012294	_Clark Equipment	46305	1130037	_Clark Equipment	43752
02-7074752	_White Truck	43752	101314	_White Truck	48794	114093	_Four Wheel Drive	43764
02-7074959	_White Truck	47699	1-01314	_Freightliner	48794	114229	_Four Wheel Drive	47697
02-7074960	_Volvo Truck NA	42800	101W2	_REO	1535	114392A107	_Four Wheel Drive	1743**
02-7074960	_White Truck	42800	102119	_Clark Equipment	38709	114410A107	_Four Wheel Drive	1704**
02-7074961	_White Truck	43800	102W2	_REO	1715**	115W2	_REO	1781**
02-7074962	_White Truck	47697	1032417	_Volvo/GMC/White Truck	1711**	117D6	_REO	40136
02-7105821	_White Truck	48884	1032417	_White Truck	1711**	1192D6	_White Truck	47697
02-7108082	_White Truck	43752	1032418	_Volvo Truck NA	1723**	1196233	_Chrysler	38709
02-7108334	_White Truck	42800	1032418	_Volvo/GMC/White Truck	1723**	1199A1614	_Rockwell Standard	48297
02-7108900	_White Truck	47697	1032418	_White Truck	1723**	1199A1665	_Rockwell Standard	48297
02-7109090	_White Truck	46305	1032419	_White Truck	1704**	1199B1224	_Rockwell Standard	47699
02-7109091	_White Truck	46305	1034720	_Clark Equipment	40136	1199B1614	_Rockwell Standard	48884
02-7109096	_White Truck	46305	1039005	_Clark Equipment	40136	1199E1669	_Rockwell Standard	47697
02-7114428	_White Truck	35066	103D6	_REO	31307	1199J2428	_Rockwell Standard	47699
02-7120703Y	_White Truck	36285	103D6	_REO	31323	1199N2926	_Rockwell Standard	35066
02-7125745	_White Truck	43764	103W2	_REO	1707	1199U1217	_Rockwell Standard	47697
02-7125816	_Volvo/GMC/White Truck	47697	1046472	_White Truck	31266	1199V1296	_Rockwell Standard	42800
02-7125816	_White Truck	47697	1046472	_White Truck	31281	11A1461	_Federal	39380
02-7127438	_White Truck	46305	104W2	_REO	1765**	11A1466	_Federal	42800
02-7128839	_White Truck	47697	1056	_Dexter	31281	11A1480	_Federal	28820
02-7129422	_White Truck	46305	105W2	_REO	1708	11A8600	_Federal	31307
02-7131626	_White Truck	46305	10600011	_WABASH	46300	11A8600	_Federal	31323
02-7134964	_White Truck	1743**	10600011	_WABASH	46304	11AE0210	_Autocar	35066
02-7201808	_White Truck	35066	10600012	_WABASH	42627•	11B8381	_Federal	40136
03-02840	_Kenworth	40136	10600012	_WABASH	46305	11BE0210	_Autocar	43764
03-1100596	_White Truck	48884	10600087	_WABASH	42623	11BG0210	_Autocar	38780
03-1100722	_Volvo Truck NA	43752	10600088	_WABASH	1743**	11BH0250	_Autocar	47699
03-1100722	_White Truck	43752	10600091	_WABASH	46305	11BP0250	_Autocar	42800
03-1102267	_White Truck	45160	10600385	_WABASH	1343+	11BT0250	_Autocar	48884
03-7360-025	_Utility Trailer	46300	106Q0385	_WABASH	1343+	11C0250	_Autocar	38780
03-7360-025	_Utility Trailer	46304	107W2	_REO	1787**	11CA0260	_Autocar	48794
042HH100	_SPICER	38776•	108W2	_REO	1788**	11CD0260	_Autocar	43764
042HH100	_SPICER	38779	109W2	_REO	1743**	11CF0260	_Autocar	39380
04-9001528	_White Truck	1576	110021R91	_Navistar (IHC)	35066	11CG0210	_Autocar	43860
04-9002532	_Volvo Truck NA	43860	1100D6-1	_REO	39380	11CH0210	_White Truck	47697
04-9002532	_White Truck	43860	1100D6-11	_REO	43860	11CJ0210	_Autocar	48884
04-9023110	_White Truck	38780	1100D6-13	_REO	45160	11CW0250	_Autocar	47697
			1100D6-15	_REO	40136	11DC0260	_Autocar	35060

Competitor & manufacturer interchange

Mfr no.	Mfr.	Part no.	Mfr no.	Mfr.	Part no.	Mfr no.	Mfr.	Part no.
11DR0260	Autocar	43764	13012	VICTOR	1781**	13082	VICTOR	1643*
11FT0260	Autocar	36285	13016	VICTOR	1575	13082	VICTOR	1743**
11FTB0210	Autocar	47697	13017	VICTOR	1612*	13083	VICTOR	1642*
11J0260	Autocar	35066	13017	VICTOR	1711**	13083	VICTOR	1742**
11KU146	Mack	50124	13018	VICTOR	1535	13084	VICTOR	1643*
11M0266	Autocar	1723**	13019	VICTOR	1715**	13084	VICTOR	1743**
11N0260	Autocar	35066	13020	VICTOR	1781**	13085	VICTOR	1282^
11R0260	Autocar	35066	13023	VICTOR	1670*	13086	VICTOR	1643*
120501099E	Peterbilt	43764	13023	VICTOR	1770**	13086	VICTOR	1743**
1205A391	Rockwell Standard	450617	13024	VICTOR	1665*	13105	VICTOR	1738**
1205A833	Rockwell Standard	40136	13024	VICTOR	1765**	1311	Freightliner	1311+
1205B1250	Rockwell Standard	46305	13025	VICTOR	1713	1311	Freightliner	1326+
1205D1200	Rockwell Standard	40136	13026	VICTOR	1643*	1311CHR	PACCAR PARTS	1311+
1205J634	Rockwell Standard	42800	13026	VICTOR	1743**	1311CHR	PACCAR PARTS	1326+
1205L1338	Rockwell Standard	35066	13027	VICTOR	1721	13172	VICTOR	1643*
1205M1469	Rockwell Standard	43752	13029	VICTOR	1741**	13172	VICTOR	1743**
120MF168	Mack	450751	13031	VICTOR	1623*	131MM-100	Dana-Spicer Corp.	
120MF2113	Dana-Spicer Corp. (Churabusco)	450751	13031	VICTOR	1723**		(Churabusco)	40086
120MF268	Mack	450788	13033	VICTOR	1724	1331	TIMKEN SEALS	1331+
120MF268	SPICER	450788	13035	Dana-Spicer Corp. (Churabusco)	1798**	1331CHR	PACCAR PARTS	1331+
120MF282	Mack	450741	13035	VICTOR	1698*	1343	Freightliner	1343+
120MF315	Dana-Spicer Corp. (Churabusco)	453795	13035	VICTOR	1798**	1343CHR	PACCAR PARTS	1343+
120MF316	Dana-Spicer Corp. (Churabusco)	453918	13036	VICTOR	1720**	1354	Shuler	40136
121-821	White Truck	35075	13046	VICTOR	1769**	1362CHR	PACCAR PARTS	1362+
123805R91	Navistar (IHC)	45160	13047	VICTOR	1575	1367270W/370630RING	Oshkosh Truck Corp.	47697
124-198PS	White Truck	45099	13048	Dana-Spicer Corp. (Churabusco)	1768**	1367280W/1372170RING	Oshkosh Truck Corp.	48884
1244B632	Rockwell Standard	48884	13048	VICTOR	1768**	13816851	Lufkin Ind Inc.	1600
1244B692	Rockwell Standard	48884	13050	VICTOR	1665*	1382	PACCAR PARTS	1382+
1244U879	Rockwell Standard	455054	13050	VICTOR	1765**	1391572	Bluebird Body Inc.	35066
1250A391	Rockwell Standard	450617	13052	VICTOR	1623*	1396CHR	PACCAR PARTS	1396
12546240	General Motor Corp.	38750	13052	VICTOR	1723**	1399	PACCAR PARTS	1399+
126369	Chrysler	39380	13054	VICTOR	1612*	144002R91	Navistar (IHC)	50124
1263697	Chrysler	39380	13054	VICTOR	1711**	144EX659	Oshkosh Truck Corp.	47697
1264D6	REO	39380	13055	VICTOR	1702**	145000SERIES	Mechanix/Barrier	42623
1266810	Chrysler	42800	13056	VICTOR	1623*	145300W/401222RING	Mechanix/Barrier	42623
1266D6	REO	38780	13056	VICTOR	1723**	145303	Mechanix/Barrier	42623
1267215	Chrysler	35066	13057	VICTOR	1691*	145400	Mechanix/Barrier	42623
1268D6	REO	43860	13057	VICTOR	1790**	145403	Mechanix/Barrier	42623
1270786	Chrysler	40136	13058	VICTOR	1643*	145500	Mechanix/Barrier	42623
1270D6	REO	45160	13058	VICTOR	1743**	145503	Mechanix/Barrier	42623
1274D6	REO	42800	13059	VICTOR	1282^	145655	Mechanix/Barrier	42623
1276D6	REO	38780	1305CHR	PACCAR PARTS	1305	1458-39977	Mack	39977
128117	Clark Equipment	46396	1305D6	REO	42800	1458-39977	Mack	39979
1282	Freightliner	1282^	13061	VICTOR	1665*	1458-40136	Mack	40136
1282CHR	PACCAR PARTS	1282^	13061	VICTOR	1765**	1458-42623S	Mack	42623
1282D6	REO	47699	13062	VICTOR	1782	1458-43752S	Mack	43752
1284CHR	PACCAR PARTS	1284^	13063	VICTOR	1707	1458-43860S	Mack	43860
12QMF268	Mack	450788	13066	VICTOR	1603	1458-445S	Mack	445
13000	VICTOR	1627*	13067	VICTOR	1704**	1458-450237S	Mack	450237
13000	VICTOR	1727**	13068	VICTOR	1785	1458-45160S	Mack	45160
13003	VICTOR	1643*	13072	VICTOR	1613*	1458-46305	Mack	46305
13003	VICTOR	1743**	13072	VICTOR	1703**	1458-46305S	Mack	46305
13004	VICTOR	1643*	13073	VICTOR	1643*	1458-474	Mack	474
13004	VICTOR	1743**	13073	VICTOR	1743**	1458-474S	Mack	474
13005	Dana-Spicer Corp. (Churabusco)	1738**	13075	VICTOR	1623*	1458-47699S	Mack	47699
13005	VICTOR	1738**	13075	VICTOR	1723**	1458-710S	Mack	710
13006	VICTOR	1736**	13076	VICTOR	1282^	1458-712S	Mack	712
13007	VICTOR	1642*	13077	VICTOR	1771**	1458-714S	Mack	714
13007	VICTOR	1742**	13078	VICTOR	1643*	145SERIES	Mechanix/Barrier	42623
13008	VICTOR	1729	13078	VICTOR	1743**	147000SERIES	Mechanix/Barrier	40136
1300CHR	PACCAR PARTS	1300	13079	VICTOR	1642*	147300W/401216RING	Mechanix/Barrier	40136
1300CHR	PACCAR PARTS	1327	13079	VICTOR	1742**		(Churabusco)	40136
			13080	VICTOR	1282^	147301	Mechanix/Barrier	40136
			13081	VICTOR	1282^			

For in-text symbols, see page 5A.

Competitor & manufacturer interchange

Mfr no.	Mfr.	Part no.	Mfr no.	Mfr.	Part no.	Mfr no.	Mfr.	Part no.
147302	Mechanix/Barrier	40136	15520072	General Motor Corp.	31175	1612CHR	PACCAR PARTS	1612*
147305	Mechanix/Barrier	40136	15520072	General Motor Corp.	31182	1613CHR	PACCAR PARTS	1613*
147315	Mechanix/Barrier	40136	155300W/401203RING			1620244	Volvo	39426
147319	Mechanix/Barrier	40136	Mechanix/Barrier		46305	1623	PACCAR PARTS	1623*
147400	Mechanix/Barrier	40136	155301	Mechanix/Barrier	46305	1627CHR	PACCAR PARTS	1627*
147401	Mechanix/Barrier	40136	15531LUP	J-M CLIPPER	47699	163000	REDNECK	27438
147402	Mechanix/Barrier	40136	1553601	Bluebird Body Inc.	1743**	1630CHR	PACCAR PARTS	1630*
147405	Mechanix/Barrier	40136	155400	Mechanix/Barrier	46305	1640CHR	PACCAR PARTS	1640*
147415	Mechanix/Barrier	40136	155401	Mechanix/Barrier	46305	1642	Freightliner	1642*
147419	Mechanix/Barrier	40136	155501	Mechanix/Barrier	46305	1642CHR	PACCAR PARTS	1642*
147SERIES	Mechanix/Barrier	40136	15550809	General Motor Corp.	35066	1643CHR	PACCAR PARTS	1643*
149000SERIES	Mechanix/Barrier	43752	15552974	General Motor Corp.	1765**	1644	Freightliner	1644*
149300W/401219RING			15556130	General Motor Corp.	1743**	1644CHR	PACCAR PARTS	1644*
Mechanix/Barrier		43752	15557677	General Motor Corp.	47697	1654330C1	Navistar (IHC)	38776•
149301	Mechanix/Barrier	43752	15557678	FM SEAL & BRG	38780	1654330C1	Navistar (IHC)	38779
149302	Mechanix/Barrier	43752	15557678	General Motor Corp.	38780	1654331C1	Navistar (IHC)	35058•
149313	Mechanix/Barrier	43752	15557678	TIMKEN SEALS	38780	1654331C1	Navistar (IHC)	35059
149318	Mechanix/Barrier	43752	15575449	General Motor Corp.	38780	1655102C1	Navistar (IHC)	44916
149319	Mechanix/Barrier	43752	15588691	General Motor Corp.	23590	1655102C1	Navistar (IHC)	44919
149400	Mechanix/Barrier	43752	15588692	General Motor Corp.	29400	1660994C1	Navistar (IHC)	43761•
149401	Mechanix/Barrier	43752	15588692	General Motor Corp.	29480	1660994C1	Navistar (IHC)	43763
149402	Mechanix/Barrier	43752	155SERIES	Mechanix/Barrier	46305	1661230	Chrysler	47697
149413	Mechanix/Barrier	43752	15611171	General Motor Corp.	39380	1663974	Navistar (IHC)	34994
149418	Mechanix/Barrier	43752	156300W/401207RING			1663974	Navistar (IHC)	34999
149419	Mechanix/Barrier	43752	Mechanix/Barrier		42624	166437R91	Navistar (IHC)	38780
149501	Mechanix/Barrier	43752	156311	Mechanix/Barrier	42624	1665CHR	PACCAR PARTS	1665*
149502	Mechanix/Barrier	43752	156400	Mechanix/Barrier	42624	1669	PACCAR PARTS	1669*
149513	Mechanix/Barrier	43752	156411	Mechanix/Barrier	42624	1670CHR	PACCAR PARTS	1670*
149518	Mechanix/Barrier	43752	1565254	Chrysler	47697	16735LUP	J-M CLIPPER	1681*
149519	Mechanix/Barrier	43752	15665670	General Motor Corp.	48000	1680802C1	Navistar (IHC)	47696
149SERIES	Mechanix/Barrier	43752	15665670	General Motor Corp.	48001	1681CHR	PACCAR PARTS	1681*
1504	Stemco	46300	15665670	General Motor Corp.	48002	1682	Freightliner	1682*
1504	Stemco	46304	15679881	FM SEAL & BRG	38780	1682CHR	PACCAR PARTS	1682*
1504	Stemco	46305	15679881	General Motor Corp.	38780	1688203C1	Navistar (IHC)	35102
1504	Stemco	46306	15679881	TIMKEN SEALS	38780	1691CHR	PACCAR PARTS	1691*
15065180	General Motor Corp.	29400	15687419	General Motor Corp.	43764	1694CHR	PACCAR PARTS	1694*
15065180	General Motor Corp.	29480	15703555	General Motor Corp.	38776•	1695989C91	Navistar (IHC)	1630*
151000SERIES	Mechanix/Barrier	35075	15703555	General Motor Corp.	38780	1696CHR	PACCAR PARTS	1696*
151300W/401225RING			15703555	General Motor Corp.	38782	1697CHR	PACCAR PARTS	1697*
Mechanix/Barrier		35075	157078H3	Navistar (IHC)	48792	1698CHR	PACCAR PARTS	1698*
151301	Mechanix/Barrier	35075	15730504	General Motor Corp.	23590	1702	Freightliner	1702**
151302	Mechanix/Barrier	35075	15877	STRICK	42623	1702CHR	PACCAR PARTS	1702**
151303	Mechanix/Barrier	35075	1593459	Volvo	39426	1703CHR	PACCAR PARTS	1703**
151304	Mechanix/Barrier	35075	1593459	Volvo/GMC/White Truck	39426	1711	Freightliner	1711**
151306	Mechanix/Barrier	35075	15982869	General Motor Corp.	47691	1711CHR	PACCAR PARTS	1711**
151307	Mechanix/Barrier	35075	15982869	General Motor Corp.	47694	1715CHR	PACCAR PARTS	1715**
151318	Mechanix/Barrier	35075	15990004	General Motor Corp.	39380	1720CHR	PACCAR PARTS	1720**
151400	Mechanix/Barrier	35075	15C2-30	Motor Coach	40086	1723	Freightliner	1623*
151401	Mechanix/Barrier	35075	15C-2-33	Motor Coach	450752	1723	Freightliner	1723**
151402	Mechanix/Barrier	35075	15C2-34	Greyhound	44964	1723	PACCAR PARTS	1723**
151403	Mechanix/Barrier	35075	15C3-34	Motor Coach	44964	1727CHR	PACCAR PARTS	1727**
151404	Mechanix/Barrier	35075	15J-3-11	Motor Coach	48690	1730740	White Truck	39380
151406	Mechanix/Barrier	35075	15M-3-14	Motor Coach	48298	1732CHR	PACCAR PARTS	1732
151407	Mechanix/Barrier	35075	15R-2-13	Motor Coach	1798**	1733CHR	PACCAR PARTS	1733**
151418	Mechanix/Barrier	35075	15R2-9	Motor Coach	40086	1737CHR	PACCAR PARTS	1737**
15174535	General Motor Corp.	23590	15R-3-8	Motor Coach	45010	1740273	White Truck	48794
1517B1	REO	38780	160	Fruehauf	46305	1740274	White Truck	1702**
151SERIES	Mechanix/Barrier	35075	1600CHR	PACCAR PARTS	1600	1742	PACCAR PARTS	1742**
1521764	Bluebird Body Inc.	1711**	1601CHR	PACCAR PARTS	1601	1743	Freightliner	1643*
1534569	Bluebird Body Inc.	38780	1608	Freightliner	1608	1743	Freightliner	1743**
155000SERIES	Mechanix/Barrier	46305	1608CHR	PACCAR PARTS	1608	1743CHR	PACCAR PARTS	1743**
155070809	General Motor Corp.	43764	1609948C1	Navistar (IHC)	47692•	1744CHR	PACCAR PARTS	1744**
15507089	General Motor Corp.	43764	1609948C1	Navistar (IHC)	47695	1750CHR	PACCAR PARTS	1750**
15517706	General Motor Corp.	1711**	1612	Freightliner	1612*	1751CHR	PACCAR PARTS	1751**
15519908	General Motor Corp.	36358	1612823C1	Navistar (IHC)	45095	1752CHR	PACCAR PARTS	1752**
15519910	General Motor Corp.	36358	1612823C1	Navistar (IHC)	45102	1753	PACCAR PARTS	1753**

For in-text symbols, see page 5A.

Competitor & manufacturer interchange

Mfr no.	Mfr.	Part no.	Mfr no.	Mfr.	Part no.	Mfr no.	Mfr.	Part no.
1754CHR	PACCAR PARTS	1754**	199902	Four Wheel Drive	1723**	1E515068	Rockwell Standard	40136
1760CHR	PACCAR PARTS	1760**	199917R91	Navistar (IHC)	39380	1E516007	Rockwell Standard	43860
1764CHR	PACCAR PARTS	1764**	19QJ14	Mack	1575	1E516325	Rockwell Standard	50124
1765	PACCAR PARTS	1765**	19QJ19371	Dana-Spicer Corp. (Churabusco)	35066	1G6M67	Oshkosh Truck Corp.	1737**
1768CHR	PACCAR PARTS	1768**	19QJ238	Mack	1769**	1JG3	Kenworth	40040
1769CHR	PACCAR PARTS	1769**	19QJ245	Mack	1768**	1JG4	Kenworth	35066
1770	PACCAR PARTS	1770**	19QJ258A	Mack	1769**	1JG5	Sterling	48794
1774	TIMKEN SEALS	1782	19QJ261	Mack	1743**	1QFA3141	Mack	52660
1775	TIMKEN SEALS	47695	19QJ-264	Mack	1711**	1QFA3145	Mack	43865
1781	PACCAR PARTS	1781**	19QJ29309	Mack	1711**	1QFA3146	Mack	45099
1787CHR	PACCAR PARTS	1787**	19QJ324	Mack	1790**	1QFA3147	Mack	42672
1788	PACCAR PARTS	1788**	19QJ-324	Dana-Spicer Corp. (Churabusco)	1790**	20005	J-M CLIPPER	42672
1789613	Chrysler	28820	19QJ328	Mack	1790**	2001-W/1001RING	Stemco	48884
1789CHR	PACCAR PARTS	1789**	19QJ-329	Mack	1753**	2001-W/1021RING	Stemco	48298
1790	PACCAR PARTS	1790**	19QJ336	Mack	1690*	2001-W/1095RING	Stemco	48884
1793	Dorsey Trailer	1796**	19QJ337	Mack	1603	2001-W/1103RING	Stemco	48884
1794312	Chrysler	39380	19QJ338	Mack	1669*	2002863	General Motor Corp.	1704**
1796	PACCAR PARTS	1796**	19QJ341	Mack	1644*	2002E1175DA	Ford	43800
1798	Freightliner	1698*	19QJ343	Mack	1612*	2002-W/1093RING	Stemco	45099
1798	Freightliner	1798**	19QJA14	Mack	1575	2003-W/1013RING	Stemco	40139
1798	PACCAR PARTS	1798**	19QJA258A	Mack	1769**	2003-W/1027RING	Stemco	40139
1799CHR	PACCAR PARTS	1799**	19QJA261	Mack	1743**	2004-W/1023RING	Stemco	42624
17KU146	Mack	50124	19QJA264	SPICER	1612*	2005-W/1025RING	Stemco	42672
1817B1	REO	38780	19QJA264	SPICER	1711**	2005-W/1093RING	Stemco	45160
185705R91	Navistar (IHC)	35066	19QJA29302	Mack	1711**	2006512	General Motor Corp.	43875
18800	Eaton Corp	43860	19QJA29305	Mack	1743**	2006-W/1004RING	Stemco	36274
18800	White Truck	43860	19QJA29306	Mack	1769**	2007-W/1007RING	Stemco	50124
189254R91	Navistar (IHC)	39380	19QJA29307	Mack	1743**	2008723	General Motor Corp.	35066
189381R91	Navistar (IHC)	43860	19QJA29308	Mack	1790**	2008-W/1079RING	Stemco	47690
18TN234	Oshkosh Truck Corp.	43860	19QJA29309	Mack	1711**	2008-W1028RING	Stemco	48690
18TN396	Oshkosh Truck Corp.	1282^	19QJA310	Mack	1769**	2009-W/1028RING	Stemco	48792
18TN397	Oshkosh Truck Corp.	1743**	19QJA311	Mack	1768**	2009-W/1079RING	Stemco	48000
18TN398	Oshkosh Truck Corp.	1765**	19QJA312	Mack	1704**	2009-W/1079RING	Stemco	48001
18TN399	Oshkosh Truck Corp.	38747	19QJA313	Mack	1743**	2009-W/1079RING	Stemco	48002
18TN400	Oshkosh Truck Corp.	38750	19QJA314	Mack	1705**	201000SERIES	Mechanix/Barrier	44922
18TN401	Oshkosh Truck Corp.	38780	19QJA315	Mack	1754**	20-103	Motor Coach	441
18TN402	Oshkosh Truck Corp.	40136	19QJA316	Mack	1736**	2010-W/1012RING	Stemco	38709
18TN403	Oshkosh Truck Corp.	42623	19QJA317	Mack	1711**	201140R91	Navistar (IHC)	45160
18TN404	Oshkosh Truck Corp.	42672	19QJA318A	Mack	1790**	2011-W/1010RING	Stemco	35075
18TN405	Oshkosh Truck Corp.	44922	19QJA319	Mack	1743**	2011-W/1036RING	Stemco	35075
18TN406	Oshkosh Truck Corp.	45099	19QJA324	Mack	1790**	2011-W/1120RING	Stemco	35075
18TN407	Oshkosh Truck Corp.	46305	19QJA324	SPICER	1691*	2012-W/1012RING	Stemco	38780
18TN408	Oshkosh Truck Corp.	48794	19QJA324	SPICER	1790**	2013&1013	Stemco	40129*
18TN654	Oshkosh Truck Corp.	45152	19QJA324P2	Mack	1787**	201300W/401201RING	Mechanix/Barrier	44922
18TN659	Oshkosh Truck Corp.	47690	19QJA329	SPICER	1753**	201301	Mechanix/Barrier	44922
1925822	Chrysler	38780	19QJA329	VICTOR	1753**	2013-W/1013RING	Stemco	40136
19325	Eaton Corp	47697	19QJA39	Kenworth	1575	2013-W/1027RING	Stemco	40136
1943CHR	PACCAR PARTS	1943*	19QJA39	Mack	1575	2013-W/1036RING	Stemco	40136
199123R91	Navistar (IHC)	38780	19QJA41SR29	Kenworth	1575	2013-W/1053RING	Stemco	40136
199124R91	Navistar (IHC)	45160	19QJA41SR32	Mack	1743**	2013-W/1057RING	Stemco	40136
199168	Dorsey Trailer	46305	19TN134	Oshkosh Truck Corp.	43800	201400	Mechanix/Barrier	44922
199197	Dorsey Trailer	42623	19TN225	Oshkosh Truck Corp.	43764	201401	Mechanix/Barrier	44922
199198	Dorsey Trailer	1796**	19TN227	Oshkosh Truck Corp.	35066	2014-W/1014RING	Stemco	42800
199206	Dorsey Trailer	42627*	19TN270	Oshkosh Truck Corp.	45103	20161012	Stemco	38746
199206	Dorsey Trailer	42622	19TN3	Oshkosh Truck Corp.	45160	2016169	General Motor Corp.	35066
199223	Dorsey Trailer	46300	19TN414	Oshkosh Truck Corp.	47698	2016460C91	Navistar (IHC)	1630*
199223	Dorsey Trailer	46304	19TN513	Oshkosh Truck Corp.	1723**	2016-W/1011RING	Stemco	39988
199232	Dorsey Trailer	1343+	1B6363	Sterling	40136	2016-W/1012RING	Stemco	38750
199831	Four Wheel Drive	48000	1CH5	Oshkosh Truck Corp.	39420	2016-W/1018RING	Stemco	39420
199835	Four Wheel Drive	1743**	1DA9424	Autocar	48690	2017-W/1017RING	Stemco	32470
199878	Four Wheel Drive	35066	1ES13359	Rockwell Standard	44964	2018-W/1008RING	Stemco	28820
199880	Four Wheel Drive	35066	1ES13802	Rockwell Standard	50124	2019-W/1019RING	Stemco	31175
199883	Four Wheel Drive	35066	1ES14393	Rockwell Standard	40136	201SERIES	Mechanix/Barrier	44922
199884	Four Wheel Drive	1781**				2020-W/1020RING	Stemco	36365
199901	Four Wheel Drive	35066				2021-W/1021RING	Stemco	48297

For in-text symbols, see page 5A.

Competitor & manufacturer interchange

Mfr no.	Mfr.	Part no.	Mfr no.	Mfr.	Part no.	Mfr no.	Mfr.	Part no.
2021-W/1043RING	Stemco	45152	2035506	General Motor Corp.	35066	2057480	General Motor Corp.	47697
2021W/1079	Stemco	43875	2035507	General Motor Corp.	47690	2057-W/1062RING	Stemco	34384*
2021W/1079(FOR-1)	Stemco	47697	20359413	Volvo Truck NA	1311+	2057-W/1062RING	Stemco	34386
2021W/1079(FOR-3)	Stemco	45152	20359413	Volvo Truck NA	1326+	2057-W/1062RING	Stemco	34387
2021-W/1085RING	Stemco	43875	2035-W/1035RING	Stemco	35060	2057W1063RING	Stemco	34994
2021-W/1087RING	Stemco	45152	2036-W/1036RING	Stemco	35058*	2057W1063RING	Stemco	34999
2022846	General Motor Corp.	1765**	2036-W/1036RING	Stemco	35059	2057W1063RING	Stemco	35000
2022-W/1016RING	Stemco	31244	2036-W/1036RING	Stemco	35066	205821R91	Navistar (IHC)	38709
2022-W/1050RING	Stemco	31244	20-375	Motor Coach	450237	205831R91	Navistar (IHC)	38709
202300W/401201RING			20-376	Motor Coach	705	2058-W/1093RING	Stemco	44963
	Mechanix/Barrier	44922	2038242	General Motor Corp.	455024	2058-W/1093RING	Stemco	44964
202301	Mechanix/Barrier	44922	2038244	General Motor Corp.	42550	205SERIES	Mechanix/Barrier	35066
2023-W/1022RING	Stemco	46390	20388298	Volvo Truck NA	1612*	2060W/1067	Stemco	52660
2023-W/1023RING	Stemco	42627*	20396295	Volvo Truck NA	43764	2060-W/1067RING	Stemco	52658
2023-W/1023RING	Stemco	42622	2039-W/1011RING	Stemco	39977	2061-W/1066RING	Stemco	48690
2023-W/1023RING	Stemco	42623	2039-W/1011RING	Stemco	39979	206300W/401204RING		
2023-W/1041RING	Stemco	43800	2039-W/1011RING	Stemco	39988		Mechanix/Barrier	43764
2023-W/1088RING	Stemco	42623	2039-W/1038RING	Stemco	39977	206301	Mechanix/Barrier	43764
2023-W/1503RING	Stemco	42627*	2039-W/1038RING	Stemco	39979	206307	Mechanix/Barrier	43764
2023-W/1503RING	Stemco	42622	2039-W/1038RING	Stemco	39988	206313	Mechanix/Barrier	43764
2023-W/1503RING	Stemco	42623	203SERIES	Mechanix/Barrier	35066	206319	Mechanix/Barrier	43764
202400	Mechanix/Barrier	44922	204000SERIES	Mechanix/Barrier	35066	206400	Mechanix/Barrier	43764
202401	Mechanix/Barrier	44922	2040-W/1026RING	Stemco	43752	206401	Mechanix/Barrier	43764
2024-W/1079RING	Stemco	47699	2040-W/1037RING	Stemco	43752	206407	Mechanix/Barrier	43764
2024-W/1087RING	Stemco	47699	2041497	General Motor Corp.	36285	206413	Mechanix/Barrier	43764
2025-W/1026	Stemco	43860	2041597	General Motor Corp.	1765**	2064489	General Motor Corp.	39420
2026 & 1026	Stemco	43860	2041-W/1028RING	Stemco	48796	2064731	General Motor Corp.	34387
2026943	General Motor Corp.	48884	2041-W/1043RING	Stemco	45162	2064-W/1051RING	Stemco	31266
2026-W/1026RING	Stemco	43865	2042-W/1042RING	Stemco	27438	2064-W/1051RING	Stemco	31281
2027-W/1007RING	Stemco	50190	204300W/401202RING			2066307	General Motor Corp.	35075
2028-W/1028RING	Stemco	48794		Mechanix/Barrier	35066	206SERIES	Mechanix/Barrier	43764
2029409	General Motor Corp.	38750	204304	Mechanix/Barrier	35066	2070782	General Motor Corp.	50124
2029-W/1018RING	Stemco	39380	204307	Mechanix/Barrier	35066	20-72	Motor Coach	450236
2029-W/1029RING	Stemco	39380	204308	Mechanix/Barrier	35066	2072-W/1064RING	Stemco	31307
2029-W/1059RING	Stemco	39380	204314	Mechanix/Barrier	35066	2072-W/1064RING	Stemco	31323
202SERIES	Mechanix/Barrier	44922	2043-W/1009RING	Stemco	40040	207300W/401205RING		
203000SERIES	Mechanix/Barrier	35066	2043-W/1093RING	Stemco	44922		Mechanix/Barrier	36285
20-3001162	White Farm	32470	204400	Mechanix/Barrier	35066	207304	Mechanix/Barrier	36285
2030-W/1030RING	Stemco	31244	204404	Mechanix/Barrier	35066	207314	Mechanix/Barrier	36285
2031-W/1010RING	Stemco	35075	204407	Mechanix/Barrier	35066	2073173	General Motor Corp.	40136
2031-W/1031RING	Stemco	36365	204408	Mechanix/Barrier	35066	207320	Mechanix/Barrier	36285
2031-W/1036RING	Stemco	35075	204414	Mechanix/Barrier	35066	207321	Mechanix/Barrier	36285
2031-W/1051RING	Stemco	36365	2044540	General Motor Corp.	31244	20-74	Motor Coach	450239
2031-W/1063RING	Stemco	35075	2046-W/1010RING	Stemco	35075	207400	Mechanix/Barrier	36285
2032362	General Motor Corp.	36285	2046-W/1036RING	Stemco	35075	207400W/401254RING		
2032484	General Motor Corp.	1723**	2048-W/1048RING	Stemco	46305		Mechanix/Barrier	36285
2032-W/1032RING	Stemco	36285	20499437	Volvo	35058*	207404	Mechanix/Barrier	36285
2032-W/1032RING	Stemco	36365	20499439	Volvo	47692*	207414	Mechanix/Barrier	36285
2032-W/1033RING	Stemco	35060	2049-W/1012RING	Stemco	38747	207420	Mechanix/Barrier	36285
2032-W/1036RING	Stemco	35075	204SERIES	Mechanix/Barrier	35066	207421	Mechanix/Barrier	36285
203300W/401202RING			205000SERIES	Mechanix/Barrier	35066	2074449	General Motor Corp.	40086
	Mechanix/Barrier	35066	2050-W/1052RING	Stemco	31175	20-75	Motor Coach	445
203304	Mechanix/Barrier	35066	205300W/401202RING			2077573	General Motor Corp.	1743**
203307	Mechanix/Barrier	35066		Mechanix/Barrier	35066	2078026	General Motor Corp.	47690
203308	Mechanix/Barrier	35066	205304	Mechanix/Barrier	35066	207SERIES	Mechanix/Barrier	36285
203314	Mechanix/Barrier	35066	205307	Mechanix/Barrier	35066	208000SERIES	Mechanix/Barrier	48794
2033919C91	Navistar (IHC)	1608	205308	Mechanix/Barrier	35066	208300W/401206RING		
203391C91	Navistar (IHC)	1608	205314	Mechanix/Barrier	35066		Mechanix/Barrier	48794
2033921C91	Navistar (IHC)	1608	205400	Mechanix/Barrier	35066	208301	Mechanix/Barrier	48794
2033-W/1037RING	Stemco	43764	205404	Mechanix/Barrier	35066	208316	Mechanix/Barrier	48794
203400	Mechanix/Barrier	35066	205407	Mechanix/Barrier	35066	208400	Mechanix/Barrier	48794
203404	Mechanix/Barrier	35066	205408	Mechanix/Barrier	35066	208401	Mechanix/Barrier	48794
203407	Mechanix/Barrier	35066	205414	Mechanix/Barrier	35066	208416	Mechanix/Barrier	48794
203408	Mechanix/Barrier	35066	2055746	General Motor Corp.	1743**	20852554	Volvo Truck NA	47697
203414	Mechanix/Barrier	35066	2055-W/1059RING	Stemco	40086	2086W1013RING	Stemco	40086
2034-W/1034RING	Stemco	36285	2056124	General Motor Corp.	38750	2086W1013RING	Stemco	40088

For in-text symbols, see page 5A.

Competitor & manufacturer interchange

Mfr no.	Mfr.	Part no.	Mfr no.	Mfr.	Part no.	Mfr no.	Mfr.	Part no.
2087-W/1084RING	Stemco	43752	2106W/1525	Stemco	47697	212SERIES	Mechanix/Barrier	39380
208SERIES	Mechanix/Barrier	48794	2106W/315-1525	Stemco	47697	213000SERIES	Mechanix/Barrier	48796
209000SERIES	Mechanix/Barrier	36285	2109 & 1053	Stemco	40129•	2131-W/1026RING	Stemco	43865
2090146	General Motor Corp.	38780	2109-W/1013RING	Stemco	40129•	2131-W/1508RING	Stemco	43865
2091-W/OEMRING	Stemco	42550	2109-W/1013RING	Stemco	40133	2132-W/1088RING	Stemco	42672
2092-W/1021RING	Stemco	48297	2109-W/1013RING	Stemco	40136	2132-W/1515RING	Stemco	42671
209300W/401208RING	Mechanix/Barrier	36285	2109-W/1027RING	Stemco	40136	2132-W/1515RING	Stemco	42672
209307	Mechanix/Barrier	36285	2109-W/1053RING	Stemco	40136	2132-W/1515RING	Stemco	42673
209400	Mechanix/Barrier	36285	2109-W/1057RING	Stemco	40136	2133-W/1036RING	Stemco	34971
209407	Mechanix/Barrier	36285	2109-W/1507RING	Stemco	40129•	2133-W/1036RING	Stemco	34972
2095-W/1088RING	Stemco	42672	2109-W/1507RING	Stemco	40133	2133-W/1036RING	Stemco	34975
2096-W/1007RING	Stemco	50124	2109-W/1507RING	Stemco	40136	213400	Mechanix/Barrier	48796
2097W/1067	Stemco	52658	210SERIES	Mechanix/Barrier	32470	2136-W/1064RING	Stemco	31281
2097-W/1067RING	Stemco	52660	2110-W/1048RING	Stemco	46300	2137 & 1025	Stemco	42624
2097W/1516	Stemco	52658	2110-W/1048RING	Stemco	46304	2137 & 1503	Stemco	42624
2097-W/1516RING	Stemco	52658	2110-W/1048RING	Stemco	46305	2137-W/1026RING	Stemco	43764
2098743	General Motor Corp.	31244	2110-W/1504RING	Stemco	46300	2137W1037RING	Stemco	43761•
2098-W/1007RING	Stemco	50190	2110-W/1504RING	Stemco	46304	2137W1037RING	Stemco	43763
2099450	General Motor Corp.	39425	2110-W/1504RING	Stemco	46305	2137W1037RING	Stemco	43764
209SERIES	Mechanix/Barrier	36285	2113-W/1002RING	Stemco	45160	2139445	General Motor Corp.	31244
210000SERIES	Mechanix/Barrier	32470	2113-W/1093RING	Stemco	45158	214000SERIES	Mechanix/Barrier	44922
2101-W/1032RING	Stemco	36285	2113-W/1093RING	Stemco	45160	21404020	Volvo	47691
2101-W/1033RING	Stemco	35060	2113-W/1517RING	Stemco	45158	21404020	Volvo Truck NA	47691
2101-W/1036RING	Stemco	35075	2113-W/1517RING	Stemco	45160	214300W/401224RING	Mechanix/Barrier	44922
2102-W/1091GMC	Stemco	38776•	2114-W/1026RING	Stemco	43860	214301	Mechanix/Barrier	44922
2102-W/1091GMC	Stemco	38748	2114W/1508(FOR-1)	Stemco	43860	214400	Mechanix/Barrier	44922
2102-W/1091GMC	Stemco	38750	2114W/1508(FOR-1)	Stemco	43861	214401	Mechanix/Barrier	44922
2102-W/1091GMC	Stemco	38779	2114W/1508(FOR-2)	Stemco	43860	214SERIES	Mechanix/Barrier	44922
2102-W/1091GMC	Stemco	38780	2114W/1508(FOR-2)	Stemco	43861	215000SERIES	Mechanix/Barrier	28820
2102W/1091IHC	Stemco	38747	2115265	General Motor Corp.	31244	215300W/401223RING	Mechanix/Barrier	28820
2102W/1501(FOR-1)	Stemco	38776•	2115-W/1094RING	Stemco	48000	215310	Mechanix/Barrier	28820
2102W/1501(FOR-1)	Stemco	38779	2115-W/1107RING	Stemco	47483	215400	Mechanix/Barrier	28820
2102W/1501(FOR-1)	Stemco	38780	2115-W/1111RING	Stemco	47690	215410	Mechanix/Barrier	28820
2102W/1501FORD	Stemco	38736	2115-W/1502RING	Stemco	47690	215410	Mechanix/Barrier	28820
2102-W/1501GMC	Stemco	38748	2117-W/1014RING	Stemco	42800	215SERIES	Mechanix/Barrier	28820
2102-W/1501GMC	Stemco	38750	2117-W/1509RING	Stemco	42800	2162-W/1111RING	Stemco	47699
2102W/1501IHC	Stemco	38747	2118-W/1037RING	Stemco	43752	2162-W/1502RING	Stemco	47699
210300W/401209	Mechanix/Barrier	32470	2118-W/1037RING	Stemco	43753	216300W/401205RING	Mechanix/Barrier	36285
210307	Mechanix/Barrier	32470	2118-W/1037RING	Stemco	43754	216304	Mechanix/Barrier	36285
2103227	General Motor Corp.	50124	2118-W/1510RING	Stemco	43752	216314	Mechanix/Barrier	36285
2103-W/1092RING	Stemco	27438	2118-W/1510RING	Stemco	43753	216320	Mechanix/Barrier	36285
210400	Mechanix/Barrier	32470	2118-W/1510RING	Stemco	43754	216321	Mechanix/Barrier	36285
210407	Mechanix/Barrier	32470	212257R91	Navistar (IHC)	28820	216400	Mechanix/Barrier	36285
2104-W/1018RING	Stemco	39425	2122701	General Motor Corp.	45099	216400W/401254RING	Mechanix/Barrier	36285
2105-W/1008RING	Stemco	28832	2122717	General Motor Corp.	44964	216404	Mechanix/Barrier	36285
2106W/1094(FOR-2)	Stemco	43875	212300W/401216RING	Mechanix/Barrier	39380	216414	Mechanix/Barrier	36285
2106W/1094(FOR-3)	Stemco	45152	212306	Mechanix/Barrier	39380	216420	Mechanix/Barrier	36285
2106-W/1094EXCEATON	Stemco	47697	212307	Mechanix/Barrier	39380	216421	Mechanix/Barrier	36285
2106W/1111(FOR-1)	Stemco	43875	212308	Mechanix/Barrier	39380	2164-W/1008RING	Stemco	28758
2106W/1111(FOR-2)	Stemco	45152	212400	Mechanix/Barrier	39380	2164-W/1008RING	Stemco	28759
2106-W/1111EXCEATON	Stemco	47692•	212406	Mechanix/Barrier	39380	2165-W/1093RING	Stemco	45103
2106W/1502(FOR-1)	Stemco	47692•	212407	Mechanix/Barrier	39380	217000	Mechanix/Barrier	36365
2106W/1502(FOR-1)	Stemco	47691	212408	Mechanix/Barrier	39380	217300W/401208RING	Mechanix/Barrier	36365
2106W/1502(FOR-1)	Stemco	47695	2125W/1051	Stemco	31266	217305	Mechanix/Barrier	36365
2106W/1502(FOR-1)	Stemco	47697	2125W/1051	Stemco	31281	217316	Mechanix/Barrier	36365
2106W/1502(FOR-2)	Stemco	47692•	2125-W/150	Stemco	31266	2173-W/1023RING	Stemco	42624
2106W/1502(FOR-2)	Stemco	47691	2125-W/150	Stemco	31281	2173-W/1032RING	Stemco	42624
2106W/1502(FOR-2)	Stemco	47695	2127-W/1721RING	Stemco	34975	2173-W/1503RING	Stemco	42624
2106W/1502(FOR-2)	Stemco	47697	2129 & 1093	Stemco	45010	217400	Mechanix/Barrier	36365
2106W/1502(FOR-3)	Stemco	45152	2129-W/1093RING	Stemco	45093	217400W/401255RING	Mechanix/Barrier	36365
			2129-W/1093RING	Stemco	45097	217405	Mechanix/Barrier	36365
			2129-W/1093RING	Stemco	45099			
			2129-W/1511RING	Stemco	45093			
			2129-W/1511RING	Stemco	45097			
			2129-W/1511RING	Stemco	45099			

For in-text symbols, see page 5A.

Competitor & manufacturer interchange

Mfr no.	Mfr.	Part no.	Mfr no.	Mfr.	Part no.	Mfr no.	Mfr.	Part no.
217416	._Mechanix/Barrier	36365	2229540	._General Motor Corp.	38750	22B2558-3	._Heil	46305
217SERIES	._Mechanix/Barrier	36365	22299862	._Heil	46300	22B2558-4	._Heil	46305
218000	._Mechanix/Barrier	31244	22299862	._Heil	46304	22B2558-5	._Heil	46305
2181-W/1009RING	._Stemco	40040	223000SERIES	._Mechanix/Barrier	35060	22B2558-6	._Heil	46305
2181-W/1093RING	._Stemco	44916	2231320	._General Motor Corp.	48298	22B2558-7	._Heil	46305
2181-W/1093RING	._Stemco	44919	22-32232	._Heil	1743**	22B2558-8	._Heil	46305
2181-W/1093RING	._Stemco	44922	223300W/401205RING	._Mechanix/Barrier	35060	22B2897-1	._Heil	43752
218205R91	._Navistar (IHC)	39380	223304	._Mechanix/Barrier	35060	22B2897-12	._Heil	43752
218300W/401209RING	._Mechanix/Barrier	31244	223320	._Mechanix/Barrier	35060	22B2897-14	._Heil	1743**
218316	._Mechanix/Barrier	31244	2233963	._Chrysler	34387	22B2897-2	._Heil	43752
218320	._Mechanix/Barrier	31244	2233W1233RING	._Stemco	47245	22B2910-12	._Heil	43752
218400	._Mechanix/Barrier	31244	223400	._Mechanix/Barrier	35060	22B2911-12	._Heil	46305
218400W/401252RING	._Mechanix/Barrier	31244	223400W/401251RING	._Mechanix/Barrier	35060	22B2933-1	._Heil	46305
218416	._Mechanix/Barrier	31244	223404	._Mechanix/Barrier	35060	22B2933-12	._Heil	46305
218420	._Mechanix/Barrier	31244	223420	._Mechanix/Barrier	35060	22B2933-14	._Heil	1743**
2184-W/1093RING	._Stemco	45103	2234376	._General Motor Corp.	32470	22B2933-2	._Heil	46305
21874F1	._Oshkosh Truck Corp.	35066	2234377	._General Motor Corp.	36285	22B2933-3	._Heil	46305
21875F	._Oshkosh Truck Corp.	48884	2234378	._General Motor Corp.	36285	22B2962-12	._Heil	40136
218SERIES	._Mechanix/Barrier	31244	2235082	._General Motor Corp.	44964	2301820	._General Motor Corp.	44964
219	._Rockwell Standard	48297	223568	._Heil	46300	2302139	._General Motor Corp.	48690
219000SERIES	._Mechanix/Barrier	39988	223568	._Heil	46304	2314094	._General Motor Corp.	50124
2192652	._General Motor Corp.	50124	2238542	._General Motor Corp.	48884	2322303	._General Motor Corp.	48297
219300W/401216RING	._Mechanix/Barrier	39988	223SERIES	._Mechanix/Barrier	35060	2322621	._General Motor Corp.	48884
219305	._Mechanix/Barrier	39988	2243081	._General Motor Corp.	39380	2328053	._General Motor Corp.	48884
219316	._Mechanix/Barrier	39988	225400	._Mechanix/Barrier	28832	2328334	._General Motor Corp.	38750
219400	._Mechanix/Barrier	39988	2256492	._General Motor Corp.	35075	2328694	._General Motor Corp.	38750
219400W/401253RING	._Mechanix/Barrier	39988	2256495	._General Motor Corp.	35075	2332032	._General Motor Corp.	48297
219405	._Mechanix/Barrier	39988	225692	._General Motor Corp.	35075	2332391	._Universal Coach	38748
219416	._Mechanix/Barrier	39988	2257151	._General Motor Corp.	32470	2332391	._Universal Coach	38750
2199-W/1093RING	._Stemco	45095	2258269	._General Motor Corp.	48884	2334838	._General Motor Corp.	48000
2199-W/1093RING	._Stemco	45102	2258545	._General Motor Corp.	48884	2343139	._General Motor Corp.	38750
2199-W/1093RING	._Stemco	45103	2258746	._General Motor Corp.	40136	2345112	._General Motor Corp.	50124
219SERIES	._Mechanix/Barrier	39988	2258893	._General Motor Corp.	48000	235768	._Universal Coach	38748
220300W/410216RING	._Mechanix/Barrier	40086	2258907	._General Motor Corp.	48792	2357682	._General Motor Corp.	38750
220311	._Mechanix/Barrier	40086	2259040	._General Motor Corp.	45160	2357682	._General Motor Corp.	38750
220400	._Mechanix/Barrier	40086	2259540	._General Motor Corp.	39420	2357683	._General Motor Corp.	48000
220411	._Mechanix/Barrier	40086	2259657	._General Motor Corp.	39420	2357684	._General Motor Corp.	48884
2208B574	._Rockwell Standard	450293	2259662	._General Motor Corp.	43860	23590CHR	._PACCAR PARTS	23590
2208N768	._Rockwell Standard	1798**	2259713	._General Motor Corp.	35075	2368357	._General Motor Corp.	35075
2208U1139	._Meritor	453869	226400	._Mechanix/Barrier	40086	236Z15B	._General Motor Corp.	450985
2208W412	._Rockwell Standard	450876	226938R91	._Navistar (IHC)	48794	2371908	._General Motor Corp.	36285
2208W413	._Rockwell Standard	450981	227400	._Mechanix/Barrier	40086	2386619	._General Motor Corp.	32470
2208X440	._Rockwell Standard	450877	2283411	._Chrysler	31307	2388334	._General Motor Corp.	38750
2208Z416	._Rockwell Standard	450875	2283411	._Chrysler	31323	2392258	._General Motor Corp.	31175
2208Z416	._Rockwell Standard	453646	2283871	._Chrysler	42800	2392508	._General Motor Corp.	40040
2208Z422	._Rockwell Standard	450984	2283871	._General Motor Corp.	42800	2394035	._General Motor Corp.	43860
220SERIES	._Mechanix/Barrier	40086	2284159	._General Motor Corp.	35066	2394036	._General Motor Corp.	45160
221300W/401216RING	._Mechanix/Barrier	40086	2286495	._General Motor Corp.	35075	2394037	._General Motor Corp.	48000
221311	._Mechanix/Barrier	40086	228885R91	._Navistar (IHC)	48794	240	._Rockwell Standard	38780
221400	._Mechanix/Barrier	40086	229	._Rockwell Standard	47697	2417701	._General Motor Corp.	48000
221411	._Mechanix/Barrier	40086	229285C91	._Navistar (IHC)	27438	2417702	._General Motor Corp.	45160
2216-W/1034RING	._Stemco	36357	229285R1	._Navistar (IHC)	27438	242258	._Clark Equipment	38709
2216-W/1034RING	._Stemco	36358	229285R91	._Navistar (IHC)	27438	2428573	._General Motor Corp.	1765**
2216-W/1034RING	._Stemco	36365	2295935	._General Motor Corp.	45160	2435738	._General Motor Corp.	48690
221SERIES	._Mechanix/Barrier	40086	2295936	._General Motor Corp.	45160	2438878	._General Motor Corp.	48794
2223597	._General Motor Corp.	39420	22A2450	._Heil	50124	2440720	._General Motor Corp.	35066
222400	._Mechanix/Barrier	32470	22B2558-1	._Heil	40136	2442177	._General Motor Corp.	39380
22265	._Schwartz	1743**	22B2558-12	._Heil	40136	244415	._General Motor Corp.	1743**
2226530	._General Motor Corp.	43860	22B2558-14	._Heil	1743**	2444414	._General Motor Corp.	1723**
2228694	._General Motor Corp.	38750	22B2558-16	._Heil	1743**	2444415	._General Motor Corp.	1743**
			22B2558-17	._Heil	1732	2444861	._General Motor Corp.	40136
			22B2558-18	._Heil	1737**	2446647	._General Motor Corp.	43764
			22B2558-2	._Heil	40136	24472709	._Mack	47245
			22B2558-20	._Heil	1742**	24472709	._Mack	47245
						2453952	._General Motor Corp.	35066
						2455043	._General Motor Corp.	1788**

For in-text symbols, see page 5A.

Competitor & manufacturer interchange

Mfr no.	Mfr.	Part no.	Mfr no.	Mfr.	Part no.	Mfr no.	Mfr.	Part no.
2455045	General Motor Corp.	48794	2708-W/1708RING	Stemco	44919	2955-841	Chrysler	45152
2455047	General Motor Corp.	38750	2708-W/1708RING	Stemco	44922	2955842	Chrysler	38780
2455092	General Motor Corp.	36285	2709-W/1709RING	Stemco	43752	2955843	Chrysler	43875
2455943	General Motor Corp.	32470	2709-W/1709RING	Stemco	43753	2960381	Chrysler	38709
2456738	General Motor Corp.	47690	2709-W/1709RING	Stemco	43754	296390C91	Navistar (IHC)	43764
2456752	General Motor Corp.	45160	2710 & 1706	Stemco	45093	296391C91	Navistar (IHC)	39380
2457433	General Motor Corp.	43860	2710 & 1710	Stemco	45093	296392C91	Navistar (IHC)	48794
2466057	General Motor Corp.	28820	2710-W/1706RING	Stemco	45095	296393C91	Navistar (IHC)	35066
2466757	General Motor Corp.	28820	2710-W/1706RING	Stemco	45102	296394C91	Navistar (IHC)	43860
2466764	General Motor Corp.	40086	2710-W/1706RING	Stemco	45103	296395C91	Navistar (IHC)	45160
2477708	General Motor Corp.	35066	2710-W/1710RING	Stemco	45095	296396C91	Navistar (IHC)	38780
2483891	General Motor Corp.	28820	2710-W/1710RING	Stemco	45102	296409C91	Navistar (IHC)	38709
2492116	General Motor Corp.	1787**	2710-W/1710RING	Stemco	45103	296437C91	Navistar (IHC)	48297
2498220	General Motor Corp.	43764	2711 & 1712	Stemco	45093	296439C91	Navistar (IHC)	48297
24C55137	Four Wheel Drive	31244	2711-W/1711RING	Stemco	43761•	296440C91	Navistar (IHC)	47697
2502626C1	Navistar (IHC)	47693	2711-W/1711RING	Stemco	43763	2965-2400	Peterbilt	35066
2511337	Chrysler	48297	2711-W/1711RING	Stemco	43764	2972024	Chrysler	35066
2513602	Chrysler	45152	27125816	White Truck	47697	2972095	Chrysler	39380
2552584	Chrysler	38780	2712-W/1712RING	Stemco	45158	2972281	Chrysler	28820
2552592	Chrysler	45152	2712-W/1712RING	Stemco	45160	2972454	Chrysler	28820
2559054	Chrysler	35066	2713W1713RING	Stemco	43860	2972466	Chrysler	39380
2559055	Chrysler	38780	2713W1713RING	Stemco	43861	2972781	Chrysler	28820
2559304	Chrysler	35066	2716W/1761	Stemco	47699	2972782	Chrysler	38709
2559685	Chrysler	38780	2717W1761RING	Stemco	48000	2972981	Chrysler	35066
2559686	Chrysler	43875	2717W1761RING	Stemco	48001	2973650	Chrysler	48794
2559689	Chrysler	35066	2717W1761RING	Stemco	48002	2973656	Chrysler	48794
2559786	Chrysler	43875	2718W1705RING	Stemco	42671	2973680	Chrysler	48794
2560927	Chrysler	1603	2718W1705RING	Stemco	42672	2974115	Chrysler	48884
2561031	Chrysler	38780	2718W1705RING	Stemco	42673	2974115-2EA	Chrysler	48884
2562045	Chrysler	46305	2721W/1721RING	Stemco	34971	2975320	Chrysler	48796
2562047	Chrysler	1743**	2721W/1721RING	Stemco	34972	2975361	Chrysler	47697
25625150	Mack	453795	2721W/1721RING	Stemco	34975	2976511	Chrysler	35066
27003053	Volvo	1743**	2724-W/1724RING	Stemco	39425	2976698	Chrysler	38780
27003942	Volvo/GMC/ White Truck	1743**	2727 & 1726	Stemco	28758	2978604	Chrysler	48796
2701-W/1701RING	Stemco	46300	2727-W/1766RING	Stemco	28758	2978965	Chrysler	35066
2701-W/1701RING	Stemco	46304	2727-W/1766RING	Stemco	28759	2978965-2EA	Chrysler	35066
2701-W/1701RING	Stemco	46305	2728-W/1728RING	Stemco	34384•	2979098	Chrysler	28820
2702W1702RING	Stemco	35058•	2728-W/1728RING	Stemco	34386	29QJ110A	Mack	455033
2702W1702RING	Stemco	35059	2728-W/1728RING	Stemco	34387	29QJ123	Mack	455031
2702W1702RING	Stemco	35066	27438	PACCAR PARTS	27438	29QJ212	Mack	43764
2703W/1703(FOR-2)	Stemco	43875	2757682	General Motor Corp.	38750	29QJ227	Mack	455031
2703W/1703(FOR-3)	Stemco	47692•	277428C91	Navistar (IHC)	39380	29QJ229	Mack	455031
2703W/1703(FOR-3)	Stemco	47691	278615C91	Navistar (IHC)	42800	29QJ29306	Mack	39988
2703W/1703(FOR-3)	Stemco	47695	278616C91	Navistar (IHC)	42800	2CS81	Oshkosh Truck Corp.	42800
2703W/1703(FOR-3)	Stemco	47697	278616C92	Navistar (IHC)	42800	2CT943	Oshkosh Truck Corp.	450751
2703W/1703(FOR-4)	Stemco	45152	280886C91	Navistar (IHC)	38747	2DE263	Oshkosh Truck Corp.	45162
2704-W/1704RING	Stemco	40129•	281132C92	Navistar (IHC)	1765**	2EK518	Oshkosh Truck Corp.	47699
2704-W/1704RING	Stemco	40133	2826094	Chrysler	43875	2EL193	Oshkosh Truck Corp.	450293
2704-W/1704RING	Stemco	40136	283442C91	Navistar (IHC)	44922	2EL194	Oshkosh Truck Corp.	450434
2705-W/1705RING	Stemco	42627•	283842C91	Navistar (IHC)	48794	2EL195	Oshkosh Truck Corp.	1703**
2705-W/1705RING	Stemco	42622	285309C91	Navistar (IHC)	39380	2EL196	Oshkosh Truck Corp.	1787**
2705-W/1705RING	Stemco	42623	285310C91	Navistar (IHC)	35066	2EL197	Oshkosh Truck Corp.	36365
2706-W/1706RING	Stemco	45093	285311C91	Navistar (IHC)	48794	2EL198	Oshkosh Truck Corp.	452
2706-W/1706RING	Stemco	45097	28758	PACCAR PARTS	28758	2EL345	Oshkosh Truck Corp.	47692•
2706-W/1706RING	Stemco	45099	28759	PACCAR PARTS	28759	2EL345	Oshkosh Truck Corp.	47695
27074960	White Truck	42800	28820	PACCAR PARTS	28820	2EL346	Oshkosh Truck Corp.	1742**
27074962	Volvo/GMC/White Truck	47692•	28832	PACCAR PARTS	28832	2EL347	Oshkosh Truck Corp.	35058•
27074962	Volvo/GMC/White Truck	43875	291-158	General Motor Corp.	42672	2EL347	Oshkosh Truck Corp.	35059
27074962	Volvo/GMC/White Truck	47695	2928694	General Motor Corp.	38750	2EL348	Oshkosh Truck Corp.	36358
27074962	White Truck	47697	29382	Eaton Corp	38780	2EL349	Oshkosh Truck Corp.	450775
2707-W/1707RING	Stemco	38776•	29382	Shuler	38780	2EL479	Oshkosh Truck Corp.	450237
2707-W/1707RING	Stemco	38779	294769C91	Navistar (IHC)	48884	2EL613	Oshkosh Truck Corp.	714
2707-W/1707RING	Stemco	38780	29480	PACCAR PARTS	29400	2EL680	Oshkosh Truck Corp.	1711**
2707W/1707WGMC	Stemco	38750	29480	PACCAR PARTS	29480	2EL681	Oshkosh Truck Corp.	46300
2708-W/1708RING	Stemco	44916	2955464	Chrysler	45152	2EL681	Oshkosh Truck Corp.	46304
			2955840	Chrysler	47697	2EL682	Oshkosh Truck Corp.	32470

For in-text symbols, see page 5A.

Competitor & manufacturer interchange

Mfr no.	Mfr.	Part no.	Mfr no.	Mfr.	Part no.	Mfr no.	Mfr.	Part no.
2EL728	Oshkosh Truck Corp.	36285	30323	Eaton Corp	39380	309-0964	Stemco	45158
2EL729	Oshkosh Truck Corp.	38776•	304	NOK/FREUD	47697	309-0964	Stemco	45160
2EL729	Oshkosh Truck Corp.	38779	3045445	Oshkosh Truck Corp.	47692•	309-0965	Stemco	43860
2EL730	Oshkosh Truck Corp.	45095	3045445	Oshkosh Truck Corp.	47695	309-0965	Stemco	43861
2EL730	Oshkosh Truck Corp.	45102	305	NOK/FREUD	35066	309-0965	Stemco	43865
2EL798	Oshkosh Truck Corp.	44916	305132C92	Navistar (IHC)	1781**	309-0970	Stemco	47699
2EL798	Oshkosh Truck Corp.	44919	306	NOK/FREUD	38780	309-0973	Stemco	47692•
2EL874	Oshkosh Truck Corp.	35000	3064863	Pierce Co. The	43764	309-0973	Stemco	43875
2EP137	Oshkosh Truck Corp.	34387	307	NOK/FREUD	45160	309-0973	Stemco	45152
2EP138	Oshkosh Truck Corp.	42627•	307-0713	Stemco	40129•	309-0973	Stemco	47691
2EP138	Oshkosh Truck Corp.	42622	307-0713	Stemco	40133	309-0973	Stemco	47695
2EP256	Oshkosh Truck Corp.	715	307-0713	Stemco	40136	309-0973	Stemco	47697
2EP257	Oshkosh Truck Corp.	712	307-0723	Stemco	42627•	309-0973EXCSOMEATON		
2EP351	Oshkosh Truck Corp.	48796	307-0723	Stemco	42622	Stemco		47697
2EP485	Oshkosh Truck Corp.	40129•	307-0723	Stemco	42623	309-0973W/750SHLD	Stemco	47697
2EP485	Oshkosh Truck Corp.	40133	307-0723	Stemco	42625	309-0973W/EATON19SER		
2EP486	Oshkosh Truck Corp.	28758	307-0743	Stemco	46300	Stemco		45152
2EP486	Oshkosh Truck Corp.	28759	307-0743	Stemco	46304	309-0973W/EATON42D	Stemco	43860
2EP765	Oshkosh Truck Corp.	450778	307-0743	Stemco	46305	3093229	Volvo Truck NA	455031
2EP941	Oshkosh Truck Corp.	446	307-0744	Stemco	43752	3093229	Volvo/GMC/White Truck	455031
2EP942	Oshkosh Truck Corp.	445	307-0744	Stemco	43753	309323C91	Navistar (IHC)	38780
2EP943	Oshkosh Truck Corp.	427	307-0744	Stemco	43754	3095506	Volvo Truck NA	1613*
2EP945	Oshkosh Truck Corp.	451	308	NOK/FREUD	48000	3096168	Volvo Truck NA	39426
2ER133	Oshkosh Truck Corp.	48884	308-0836	Stemco	35058•	3096169	Volvo Truck NA	34975
2ER140	Oshkosh Truck Corp.	1781**	308-0836	Stemco	35059	3096169	Volvo/GMC/White Truck	34975
2ER141	Oshkosh Truck Corp.	34975	308-0836	Stemco	35066	3096170	Volvo/GMC/White Truck	35102
2ER142	Oshkosh Truck Corp.	38709	308-0853	Stemco	44916	3096171	Volvo Truck NA	34384•
2ER18	Oshkosh Truck Corp.	1727**	308-0853	Stemco	44919	3096171	Volvo/GMC/White Truck	34384•
2ER207	Oshkosh Truck Corp.	39425	308-0853	Stemco	44922	3096171	Volvo/GMC/White Truck	34386
2ER208	Oshkosh Truck Corp.	719021	308-0855	Stemco	45095	3097	Stemco	450781
2ER360	Oshkosh Truck Corp.	48001	308-0855	Stemco	45102	309752C91	Navistar (IHC)	1606
2ER360	Oshkosh Truck Corp.	48002	308-0855	Stemco	45103	309755C91	Navistar (IHC)	27438
2ER396	Oshkosh Truck Corp.	1788**	308-0856	Stemco	45095	309823C91	Navistar (IHC)	38747
2ER442	Oshkosh Truck Corp.	709	308-0856	Stemco	45102	3099605	Volvo Truck NA	1382+
2ER443	Oshkosh Truck Corp.	710	308-0856	Stemco	45103	3099637	Volvo Truck NA	1284^
2ER444	Oshkosh Truck Corp.	711	308-0863	Stemco	34971	30QJ232	Mack	47697
2ER608	Oshkosh Truck Corp.	39988	308-0863	Stemco	34972	30QJ256	Mack	45099
2ER609	Oshkosh Truck Corp.	43761•	308-0863	Stemco	34975	30QJ257	Mack	43860
2ER609	Oshkosh Truck Corp.	43763	308-0864	Stemco	43761•	30QJ258	Mack	42672
2ER679	Oshkosh Truck Corp.	1733**	308-0864	Stemco	43763	310-0929067	Bluebird Body Inc.	47697
2ER914	Oshkosh Truck Corp.	36357	308-0864	Stemco	43764	310-1022	Stemco	450208
2ER915	Oshkosh Truck Corp.	39977	308-0866	Stemco	28758	310-1088	Stemco	42800
2ER915	Oshkosh Truck Corp.	39979	308-0866	Stemco	28759	310-1095	Stemco	455019
2ER916	Oshkosh Truck Corp.	40086	308-0870	Stemco	39426	3101132	Stemco	455031
2ER917	Oshkosh Truck Corp.	42671	309-0903	Stemco	45010	3102610	White Truck	43764
2ER917	Oshkosh Truck Corp.	42673	309-0903	Stemco	45093	3103514	White Truck	48794
2ER918	Oshkosh Truck Corp.	43861	309-0903	Stemco	45097	3106298	White Truck	1736**
2ER919	Oshkosh Truck Corp.	45093	309-0903	Stemco	45099	3108186	White Truck	35066
2ER919	Oshkosh Truck Corp.	45097	309-0904	Stemco	42671	3108189	Volvo/GMC/White Truck	43764
2ER920	Oshkosh Truck Corp.	45158	309-0904	Stemco	42672	3108189	White Truck	43764
2ET120	Oshkosh Truck Corp.	35060	309-0904	Stemco	42673	3108192	White Truck	35060
2ET330	Oshkosh Truck Corp.	455031	309-0912	Stemco	38776•	3108194	White Truck	455005
2ET346	Oshkosh Truck Corp.	42550	309-0912	Stemco	38779	31100722	Volvo	43752
2ET513	Oshkosh Truck Corp.	42624	309-0912	Stemco	38780	3113800	Volvo Truck NA	48794
2FH220	Oshkosh Truck Corp.	1764**	3090915	Stemco	38748	3113800	White Truck	48794
2FH222	Oshkosh Truck Corp.	450768	3090915	Stemco	38750	31149	Eaton Corp	43860
2JG16	Kenworth	40136	309-0935	Stemco	34384•	31175	Freightliner	31175
2JG24	Kenworth	39380	309-0935	Stemco	34386	31175	PACCAR PARTS	31175
2JG27	Kenworth	42800	309-0935	Stemco	34387	31182CHR	PACCAR PARTS	31182
2JG31	Kenworth	48297	309-0948	Stemco	52658	31244CHR	PACCAR PARTS	31244
2U2J1190DA	Ford	35058•	309-0957	Stemco	39420	31264	PACCAR PARTS	31264
301	NOK/FREUD	40136	309-0957	Stemco	39425	31266CHR	PACCAR PARTS	31266
301317	White Truck	31244	309-0960	Stemco	48000	31281	PACCAR PARTS	31281
302	NOK/FREUD	42623	309-0960	Stemco	48001	31307	PACCAR PARTS	31307
302193R91	Navistar (IHC)	34387	309-0960	Stemco	48002	31307	PACCAR PARTS	31323
303	NOK/FREUD	46305	309-0961	Stemco	42800	31307	SNR	31307

For in-text symbols, see page 5A.

Competitor & manufacturer interchange

Mfr no.	Mfr.	Part no.	Mfr no.	Mfr.	Part no.	Mfr no.	Mfr.	Part no.
31307	SNR	31323	320-2011W/1120RING	Stemco	35075	320-2048	Stemco	46300
31307	TIMKEN SEALS	31307	320-2011W/310-1010	Stemco	35075	320-2048	Stemco	46304
31307	TIMKEN SEALS	31323	320-2011W/310-1036	Stemco	35075	320-2048	Stemco	46306
3142600	Meritor	1443+	320-2012W/310-1012	Stemco	38780	320-2048	Stemco	46308
31427-00	Meritor	1943*	320-2013	Stemco	40129*	320-2048W/310-1048	Stemco	46305
31427-00	Rockwell Standard	1943*	320-2013W/310-1013	Stemco	40136	320-2049W/310-1012	Stemco	38747
3143700	Meritor	1499+	320-2013W/310-1027	Stemco	40136	320-2050W/310-1052	Stemco	31175
31437-00	Rockwell Standard	1499+	320-2013W/310-1053	Stemco	40136	320-2055W/310-1059	Stemco	40086
3143900	Meritor	1996*	320-2013W/310-1057	Stemco	40136	320-2057W/310-1062	Stemco	34387
31439-00	Rockwell Standard	1996*	320-2014W/310-1014	Stemco	42800	320-2057W/310-1063	Stemco	35000
31475	Eaton Corp	38709	320-2016W/310-1011	Stemco	39988	320-2058W/310-1093	Stemco	44964
314755C91	Navistar (IHC)	1723**	320-2016W/310-1012	Stemco	38750	320-2060W/1067	Stemco	52660
318345C91	Navistar (IHC)	1704**	320-2016W/310-1018	Stemco	39420	320-2061W/310-1066	Stemco	48690
319506C91	Navistar (IHC)	44922	320-2017W/310-1017	Stemco	32470	320-2064W/310-1051	Stemco	31266
320-1001	Stemco	45158	320-2018W/310-1008	Stemco	28820	320-2064W/310-1051	Stemco	31281
320-1012	Stemco	38746	320-2020W/310-1020	Stemco	36365	320-2072W/310-1064	Stemco	31307
320-1013	Stemco	40129*	320-2021W/1079(FOR1)	Stemco	43875	320-2072W/310-1064	Stemco	31323
320-1016	Stemco	38746	320-2021W/310-1021	Stemco	43875	320-2086W/310-1013	Stemco	40086
320-1018	Stemco	39420	320-2021W/310-1043	Stemco	43875	320-2091W/OEMRING	Stemco	42550
320-1028	Stemco	43860	320-2021W/310-1085	Stemco	43875	320-2092W/310-1021	Stemco	48297
320-1036	Stemco	40129*	320-2021W/310-1087	Stemco	43875	320-2095W/310-1088	Stemco	42672
320-1043	Stemco	36285	320-2021W1079(FOR3)	Stemco	43875	320-2096W/310-1007	Stemco	50124
320-1043	Stemco	40040	320-2022	Stemco	31244	320-2097	Stemco	52660
320-1053	Stemco	40129*	320-2022W/310-1016	Stemco	31244	320-2097W/1067	Stemco	52660
320-1053	Stemco	40133	320-2022W/310-1050	Stemco	31244	320-2097W/1516	Stemco	52660
320-1093	Stemco	45010	320-2023	Stemco	43800	320-2097W/310-1067	Stemco	52660
320-1093	Stemco	45093	320-2023W/310-1022	Stemco	46390	320-2098W/310-1007	Stemco	50190
320-1093	Stemco	45095	320-2023W/310-1041	Stemco	46390	320-2101W/310-1032	Stemco	36285
320-1093	Stemco	45100	320-2023W/315-1503	Stemco	46390	320-2101W/310-1033	Stemco	35060
320-1094	Stemco	47692*	320-2024W/310-1079	Stemco	47699	320-2101W/310-1036	Stemco	35075
320-1094	Stemco	47693	320-2024W/310-1087	Stemco	47699	320-2102	Stemco	38747
320-1094	Stemco	47694	320-2025W/310-1026	Stemco	43860	320-2102W/1091GMC	Stemco	38750
320-1103	Stemco	45158	320-2026W/310-1026	Stemco	43865	320-2102W/1091IHC	Stemco	38747
320-1111	Stemco	48000	320-2027W/310-1007	Stemco	50190	320-2102W/1091IHC	Stemco	38780
320-1111	Stemco	48001	320-2028W/310-1028	Stemco	48794	320-2102W/1501GMC	Stemco	38750
320-1111	Stemco	48002	320-2029W/1059RING	Stemco	39380	320-2102W/1501IHC	Stemco	38747
320-1502	Stemco	48000	320-2029W/310-1018	Stemco	39380	320-2102W/1501IHC	Stemco	38780
320-1502	Stemco	48001	320-2029W/310-1029	Stemco	39380	320-2103W/1092RING	Stemco	27438
320-1502	Stemco	48002	320-2030W/310-1030	Stemco	31244	320-2104	Stemco	39420
320-2001	Stemco	39977	320-2031	Stemco	42622	320-2104W/310-1018	Stemco	39425
320-2001	Stemco	39979	320-2031W/1010RING	Stemco	35075	320-2105W/310-1008	Stemco	28832
320-2001	Stemco	45158	320-2031W/310-1031	Stemco	36365	320-2106	Stemco	47697
320-2001W/310-1001	Stemco	48884	320-2031W/310-1036	Stemco	36365	320-2106W/1094(FOR1)	Stemco	47697
320-2001W/310-1021	Stemco	48298	320-2031W/310-1051	Stemco	36365	320-2106W/1094(FOR2)	Stemco	43875
320-2001W/310-1095	Stemco	48884	320-2032W/310-1032	Stemco	36285	320-2106W/1094(FOR3)	Stemco	45152
320-2001W/310-1103	Stemco	48884	320-2032W/310-1033	Stemco	35060	320-2106W/1111(FOR1)	Stemco	47697
320-2002	Stemco	45010	320-2032W/310-1036	Stemco	35075	320-2106W/1111(FOR2)	Stemco	43875
320-2002W/310-1093	Stemco	45099	320-2033	Stemco	43761*	320-2106W/1111(FOR3)	Stemco	45152
320-2003	Stemco	40129*	320-2033	Stemco	42622	320-2106W/1502(FOR1)	Stemco	47697
320-2003W/310-1013	Stemco	40139	320-2033W/310-1037	Stemco	43764	320-2106W/1502(FOR2)	Stemco	43875
320-2003W/310-1027	Stemco	40139	320-2034W/310-1034	Stemco	36285	320-2106W/1502(FOR3)	Stemco	45152
320-2004	Stemco	42624	320-2035W/310-1035	Stemco	35060	320-2106W/315-1525	Stemco	47697
320-2004W/310-1023	Stemco	42624	320-2036W/310-1036	Stemco	35066	320-2109W/310-1013	Stemco	40136
320-2005	Stemco	45158	320-2039	Stemco	39988	320-2109W/310-1027	Stemco	40136
320-2005W/310-1025	Stemco	42672	320-2039W/310-1011	Stemco	39988	320-2109W/310-1053	Stemco	40136
320-2005W/310-1093	Stemco	45160	320-2039W/310-1038	Stemco	39988	320-2109W/310-1057	Stemco	40136
320-2006W/310-1004	Stemco	36274	320-2040W/310-1037	Stemco	43752	320-2109W/315-1507	Stemco	40136
320-2007W/310-1007	Stemco	50124	320-2041	Stemco	40040	320-2110W/310-1048	Stemco	46305
320-2008	Stemco	48000	320-2041W/310-1028	Stemco	48796	320-2110W/315-1504	Stemco	46305
320-2008W/1028RING	Stemco	48690	320-2041W/310-1043	Stemco	45162	320-2113W/310-1002	Stemco	45160
320-2008W/1079RING	Stemco	47690	320-2042W/310-1042	Stemco	27438	320-2113W/310-1093	Stemco	45160
320-2009	Stemco	43860	320-2043	Stemco	40040	320-2113W/315-1517	Stemco	45160
320-2009	Stemco	48794	320-2043W/310-1009	Stemco	40040	320-2114W/1508(FOR1)	Stemco	43860
320-2009W/310-1028	Stemco	48792	320-2043W/310-1093	Stemco	44922	320-2114W/1508(FOR2)	Stemco	43860
320-2009W/310-1079	Stemco	48000	320-2046W/310-1010	Stemco	35075	320-2114W/310-1026	Stemco	43860
320-2010W/310-1012	Stemco	38709	320-2046W/310-1036	Stemco	35075	320-2114W/315-1508	Stemco	43860

For in-text symbols, see page 5A.

Competitor & manufacturer interchange

Mfr no.	Mfr.	Part no.	Mfr no.	Mfr.	Part no.	Mfr no.	Mfr.	Part no.
320-2115W/310-1094	Stemco	48000	327-2701W/1701RING	Stemco	46305	32QJ166	Mack	43752
320-2115W/310-1107	Stemco	47483	327-2702W/1702	Stemco	35066	32QJ170	Mack	46305
320-2115W/310-1111	Stemco	47690	327-2703W/1703(FOR1)	Stemco	43875	32QJ19301	Mack	35066
320-2115W/315-1502	Stemco	47690	327-2703W/1703(FOR2)	Stemco	47697	32QJ19302	Mack	48794
320-2117W/310-1014	Stemco	42800	327-2703W/1703(FOR3)	Stemco	45152	32QJ19303	Mack	35066
320-2117W/315-1509	Stemco	42800	327-2703W/1703(FOR4)	Stemco	43860	32QJ19320	Mack	35066
320-2118	Stemco	43752	327-2704W/1704RING	Stemco	40136	32QJ19321	Mack	35066
320-2118W/310-1037	Stemco	43752	327-2705W/1705RING	Stemco	42623	32QJ19322	Mack	48794
320-2118W/315-1510	Stemco	43752	327-2707W/317-1707	Stemco	38780	32QJ19323	Mack	43764
320-2125W/1051(FOR1)	Stemco	31266	327-2708W/317-1708	Stemco	44922	32QJ19324	Mack	43764
320-2125W/1051(FOR1)	Stemco	31281	327-2709W/317-1709	Stemco	43752	32QJ19325	Mack	47697
320-2125W/1501(FOR2)	Stemco	31266	327-2710W/317-1706	Stemco	45103	32QJ19326	Mack	42800
320-2125W/1501(FOR2)	Stemco	31281	327-2710W/317-1710	Stemco	45103	32QJ19327	Mack	35066
320-2129	Stemco	45099	327-2711W/317-1711	Stemco	43764	32QJ19328	Mack	48297
320-2129W/1093RING	Stemco	45099	327-2712W/317-1712	Stemco	45160	32QJ19329	Mack	38780
320-2129W/315-1511	Stemco	45099	327-2724W/317-1724	Stemco	39425	32QJ19325	Mack	47697
320-2131W/1026	Stemco	43865	327-2727W/317-1766	Stemco	28758	32QJ19332	Mack	39988
320-2131W/315-1508	Stemco	43865	327-2727W/317-1766	Stemco	28759	32QJ19336	Mack	47697
320-2132W/1088RING	Stemco	42672	327-2728W/317-1728	Stemco	34387	32QJ19337	Mack	45099
320-2133W/310-1036	Stemco	34975	327-2741	Stemco	52658	32QJ19340	Mack	35066
320-2136W/310-1064	Stemco	31281	32QJ00127A	Mack	47697	32QJ19351	Mack	43764
320-2137	Stemco	43764	32QJ10321	Mack	35066	32QJ19352	Mack	43860
320-2137W/310-1037	Stemco	43764	32QJ111C	Mack	31244	32QJ19353	Mack	47697
320-2162W/1111RING	Stemco	47699	32QJ112B	Mack	43865	32QJ19354	Mack	47697
320-2162W/1502RING	Stemco	47699	32QJ114-1EA	Mack	31244	32QJ19356	Mack	45160
320-2164W/310-1008	Stemco	28758	32QJ115A	Mack	36365	32QJ19358	Mack	36365
320-2164W/310-1008	Stemco	28759	32QJ116B	Mack	31244	32QJ19360	Mack	38709
320-2165	Stemco	45093	32QJ117B	Mack	50124	32QJ19366	Mack	35066
320-2165	Stemco	45095	32QJ118A	Mack	45099	32QJ19367	Mack	43764
320-2165	Stemco	45100	32QJ119	Mack	38709	32QJ19368	Mack	43764
320-2165W/1093RING	Stemco	45103	32QJ120	Mack	36365	32QJ19369	Mack	38780
320-2173W/1503RING	Stemco	42624	32QJ121A	Mack	36365	32QJ19370	Mack	39988
320-2173W/310-1023	Stemco	42624	32QJ122A	Mack	36365	32QJ19371	Mack	35066
320-2181W/1009RING	Stemco	40040	32QJ127A	Mack	47697	32QJ19376	Mack	43764
320-2181W/1093RING	Stemco	44922	32QJ128A	Mack	50190	32QJ223	Mack	31244
320-2184	Stemco	45093	32QJ130A	Mack	48794	32QJ224	Mack	36365
320-2184	Stemco	45095	32QJ131A	Mack	43764	32QJ225	Mack	39988
320-2184	Stemco	45100	32QJ132A	Mack	43764	32QJ226	Mack	43764
320-2184W/1093RING	Stemco	45103	32QJ133A	Mack	38709	32QJ227	Mack	43865
320-2213	Stemco	42672	32QJ135A	Mack	42672	32QJ228	Mack	48794
320-2216W/310-1034	Stemco	36358	32QJ136A	Mack	42800	32QJ229	Mack	42800
320-2233W/310-1233	Stemco	47245	32QJ137	Mack	35075	32QJ230	Mack	45099
320-6017	Stemco	40129*	32QJ137-1EA	Mack	35075	32QJ231	Mack	50124
320-6017	Stemco	40133	32QJ138	Mack	35075	32QJ233	Mack	42672
3208364	Rockwell Standard	450752	32QJ138-2EA	Mack	35075	32QJ234	Mack	50190
3208364A391			32QJ140	Mack	38709	32QJ235	Mack	43800
Rockwell Standard		450752	32QJ144	Mack	31244	32QJ236	Mack	52660
3208L64	Meritor	450752	32QJ144-1EA	Mack	31244	32QJ237	Mack	47697
3208L64	Rockwell Standard	450752	32QJ150	Mack	43860	32QJ238	Mack	31244
320J252	Dana-Spicer Corp.		32QJ152	Mack	39988	32QJ238A	Mack	31244
(Churabusco)		43764	32QJ152-1EA	Mack	39988	32QJ239	Mack	42672
3227300	Meritor	1443+	32QJ153	Mack	43860	32QJ240	Mack	52660
32273-00	Rockwell Standard	1443+	32QJ156	Mack	43800	32QJ241	Mack	45099
3228300	Meritor	1943*	32QJ156-1EA	Mack	43800	32QJ242	Mack	43865
32283-00	Rockwell Standard	1943*	32QJ158-1	Mack	43764	32QJ243	Mack	42672
324	PACCAR PARTS	462	32QJ158-1EA	Mack	43764	32QJ245	Mack	43764
32470	PACCAR PARTS	32470	32QJ159	Mack	31244	32QJ246	Mack	35075
3251400	Meritor	1499+	32QJ159-1EA	Mack	31244	32QJ248	Dana-Spicer Corp.	
32514-00	Rockwell Standard	1499+	32QJ160	Mack	43764	(Churabusco)		39988
3251500	Meritor	1996*	32QJ160-1EA	Mack	43764	32QJ248	Mack	39988
32515-00	Rockwell Standard	1996*	32QJ161	Mack	39988	32QJ249	Mack	43752
325-2102	Stemco	38776*	32QJ161-1EA	Mack	39988	32QJ250	Mack	38780
325-2102	Stemco	38779	32QJ162	Mack	43800	32QJ252	Dana-Spicer Corp.	
326283C91	Navistar (IHC)	42800	32QJ162-1EA	Mack	43800	(Churabusco)		43764
3262W179	Rockwell Standard	1727**	32QJ164	Mack	38780	32QJ252	Mack	43764
327-2127W/317-1721	Stemco	34975	32QJ165	Mack	40136	32QJ262	Mack	39977

For in-text symbols, see page 5A.

Competitor & manufacturer interchange

Mfr no.	Mfr.	Part no.	Mfr no.	Mfr.	Part no.	Mfr no.	Mfr.	Part no.
32QJ262	Mack	39979	331471C91	Navistar (IHC)	38747	340-4068	Stemco	1798**
32QJ263	SPICER	45093	332CHR	PACCAR PARTS	332	340-4070	Stemco	1724
32QJ263	SPICER	45097	337711C91	Navistar (IHC)	38780	340-4075	Stemco	1282^
32QJ264	SPICER	42671	337711C92	Navistar (IHC)	38780	340-4076	Stemco	1698*
32QJ264	SPICER	42673	340106C91	Navistar (IHC)	43860	340-4076	Stemco	1798**
32QJ-265	SPICER	48001	340106C92	Navistar (IHC)	43860	340-4080	Stemco	1698*
32QJ-265	SPICER	48002	340107C92	Navistar (IHC)	45160	340-4081	Stemco	1752**
32QJ281	Mack	47693	34020	Eaton Corp	50124	340-4082	Stemco	1720**
32QJ282	Mack	35103	340-4002	Stemco	1627*	340-4091	Stemco	1612*
32QJ29302	Mack	35066	340-4002	Stemco	1727**	340-4091	Stemco	1711**
32QJ29304	Mack	38780	340-4003	Stemco	1709	340-4092	Stemco	1787**
32QJ328	Mack	48297	340-4005	Stemco	1789**	340-4093	Stemco	1788**
32QJ328-2EA	Mack	48297	340-4007	Stemco	1732	340-4094	Stemco	1643*
32QJ329	Mack	38780	340-4009	Stemco	1643*	340-4094	Stemco	1743**
32QJ329-2EA	Mack	38780	340-4009	Stemco	1644*	340-4095	Stemco	1643*
32QJ330	Mack	43860	340-4009	Stemco	1743**	340-4095	Stemco	1743**
32QJ330-2EA	Mack	43860	340-4011	Stemco	1738**	340-4096	Stemco	1784
32QT19372	Mack	43764	340-4012	Stemco	1736**	340-4098	Stemco	1691*
32QT19374	Mack	38780	340-4013	Stemco	1642*	340-4098	Stemco	1790**
3303002	Stemco	450777	340-4013	Stemco	1742**	340-4102	Stemco	1786
3303007	Stemco	450747	340-4014	Stemco	1630*	340-4103	Stemco	1643*
3303008	Stemco	450760	340-4014	Stemco	1730	340-4103	Stemco	1743**
330-3009	Stemco	450293	340-4015	Stemco	1737**	340-4147	Stemco	1613*
330-3009	Stemco	450751	340-4016	Stemco	1595	340-4147	Stemco	1703**
330-3009	Stemco	453795	340-4019	Stemco	1627*	340-4163	Stemco	1740
3303011	Stemco	450769	340-4019	Stemco	1727**	340-4170	Stemco	1707
3303012	Stemco	450742	340-4021	Stemco	1737**	340-4195	Stemco	1696*
330-3013	Stemco	450775	340-4023	Stemco	1576	340-4195	Stemco	1796**
330-3019	Stemco	450775	340-4024	Stemco	1612*	340-4249	Stemco	1613*
330-3019	Stemco	450777	340-4024	Stemco	1711**	340-4249	Stemco	1643*
330-3024	Stemco	450755	340-4025	Stemco	1669*	340-4249	Stemco	1703**
330-3025	Stemco	450741	340-4026	Stemco	1575	340-4249	Stemco	1743**
330-3028	Stemco	450749	340-4027	Stemco	1535	340-4263	Stemco	1612*
3303031	Stemco	450778	340-4028	Stemco	1715**	340-4263	Stemco	1711**
330-3034	Stemco	450768	340-4029	Stemco	1681*	340-4350	Stemco	1443+
330-3035	Stemco	450741	340-4029	Stemco	1781**	340-4352	Stemco	1499+
330-3036	Stemco	450874	340-4030	Stemco	1578	340-4370	Stemco	1443+
3303037	Stemco	450757	340-4031	Stemco	1768**	340-4372	Stemco	1499+
3303040	Stemco	450765	340-4033	Stemco	1577	340-4975	Stemco	1282^
330-3041	Stemco	450748	340-4034	Stemco	1670*	340-5096	Stemco	1343+
3303042	Stemco	450743	340-4034	Stemco	1770**	340929C91	Navistar (IHC)	35059
3303056	Stemco	450744	340-4036	Stemco	1702**	340D2	REO	35066
330-3060	Stemco	450752	340-4037	Stemco	1764**	341SR22	Mack	31244
3303062	Stemco	450762	340-4039	Stemco	1782	341SR24	Mack	43764
330-3067	Stemco	450782	340-4040	Stemco	1707	341SR26	Mack	39988
3303079	Stemco	450799	340-4041	Stemco	1623*	341SR27	Mack	43865
3303080	Stemco	450741	340-4041	Stemco	1723**	341SR32	Mack	48792
3303090	Stemco	450447	340-4042	Stemco	1665*	341SR33	Mack	50190
330-3097	Stemco	450781	340-4042	Stemco	1765**	341SR34	Mack	50124
330-3105	Stemco	450875	340-4043	Stemco	1745	341SR35	Mack	45099
330-3105	Stemco	453646	340-4044	Stemco	1713	341SR41	Mack	42800
330-3106	Stemco	450155	340-4046	Stemco	1643*	341SR52	Mack	35066
330-3106	Stemco	450876	340-4046	Stemco	1743**	342-4009	Stemco	1331+
330-3107	Stemco	450877	340-4049	Stemco	1704**	342-4009	Stemco	1343+
3303108	Stemco	450878	340-4050	Stemco	1665*	342-4013	Stemco	1362+
330-3109	Stemco	450023	340-4050	Stemco	1765**	342-4024	Stemco	1311+
330-3109	Stemco	450879	340-4051	Stemco	1721	342-4024	Stemco	1326+
330-3110	Stemco	450980	340-4058	Stemco	1705**	342-4075	Stemco	1284^
330-3111	Stemco	450981	340-4059	Stemco	1698*	342-4095	Stemco	1643*
330-3112	Stemco	450982	340-4059	Stemco	1741**	342-4095	Stemco	1743**
330-3113	Stemco	450983	340-4063	Stemco	1606	342-4341	Stemco	1382+
330-3114	Stemco	450984	340-4064	Stemco	1719	343-4002	Stemco	1627*
330-3115	Stemco	450985	340-4065	Stemco	1608	343-4002	Stemco	1727**
3303122	Stemco	450293	340-4066	Stemco	1623*	343-4009	Stemco	1643*
3303122	Stemco	450788	340-4066	Stemco	1723**	343-4009	Stemco	1644*
3305550	UOS	39420	340-4068	Stemco	1698*	343-4009	Stemco	1743**

For in-text symbols, see page 5A.

Competitor & manufacturer interchange

Mfr no.	Mfr.	Part no.	Mfr no.	Mfr.	Part no.	Mfr no.	Mfr.	Part no.
343-4011	Stemco	1738**	343-4101	Stemco	1785	34994	PACCAR PARTS	34994
343-4012	Stemco	1736**	343-4102	Stemco	1786	34999	PACCAR PARTS	34999
343-4013	Stemco	1642*	343-4103	Stemco	1643*	35000	Freightliner	35000
343-4013	Stemco	1742**	343-4103	Stemco	1743**	35000CHR	PACCAR PARTS	35000
343-4014	Stemco	1630*	343-4107	Stemco	1752**	350119C91	Navistar (IHC)	38780
343-4015	Stemco	1728	343-4113	Stemco	1643*	3503168	Freightliner	1743**
343-4018	Stemco	1715**	343-4113	Stemco	1743**	3504024	Stemco	1612*
343-4019	Stemco	1627*	343-4124	Stemco	1612*	3504025	Stemco	1669*
343-4019	Stemco	1727**	343-4124	Stemco	1711**	3504034	Stemco	1670*
343-4021	Stemco	1737**	343-4128	Stemco	1715**	3504249	Stemco	1613*
343-4024	Stemco	1612*	343-4129	Stemco	1781**	35058	PACCAR PARTS	35058•
343-4024	Stemco	1711**	343-4131	Stemco	1643*	35059	Freightliner	35058•
343-4025	Stemco	1669*	343-4131	Stemco	1743**	35059	Freightliner	35059
343-4025	Stemco	1769**	343-4141	Stemco	1612*	35059	PACCAR PARTS	35059
343-4025	Stemco	1787**	343-4141	Stemco	1711**	35060CHR	PACCAR PARTS	35060
343-4026	Stemco	1575	343-4146	Stemco	1708	35066	Freightliner	35066
343-4027	Stemco	1535	343-4147	Stemco	1613*	35066	Kenworth	35066
343-4028	Stemco	1715**	343-4147	Stemco	1703**	35066	PACCAR PARTS	35066
343-4029	Stemco	1681*	343-4149	Stemco	1613*	35066	Peterbilt	35066
343-4029	Stemco	1781**	343-4149	Stemco	1703**	35070	TIMKEN SEALS	50124
343-4031	Stemco	1768**	343-4164	Stemco	1698*	35072	PACCAR PARTS	35072
343-4034	Stemco	1670*	343-4164	Stemco	1798**	35075	PACCAR PARTS	35075
343-4034	Stemco	1770**	343-4186	Stemco	1681*	35102CHR	PACCAR PARTS	35102
343-4036	Stemco	1702**	343-4195	Stemco	1696*	35103CHR	PACCAR PARTS	35103
343-4039	Stemco	1782	343-4195	Stemco	1796**	351CHR	PACCAR PARTS	351
343-4040	Stemco	1707	343-4249	Stemco	1613*	352-4195	Stemco	1399+
343-4042	Stemco	1665*	343-4249	Stemco	1643*	3528090C1	Navistar (IHC)	35103
343-4042	Stemco	1765**	343-4249	Stemco	1703**	3528091C1	Navistar (IHC)	47693
343-4044	Stemco	1713	343-4249	Stemco	1743**	352CHR	PACCAR PARTS	352
343-4046	Stemco	1643*	343-4249	Stemco	1753**	353	TIMKEN SEALS	353
343-4046	Stemco	1743**	343-4249	Stemco	1788**	3530	UOS	43860
343-4049	Stemco	1704**	3434250	Stemco	1343+	3531209C91	Navistar (IHC)	1612*
343-4050	Stemco	1665*	343-4350	Stemco	1943*	353CHR	PACCAR PARTS	353
343-4050	Stemco	1765**	343-4352	Stemco	1996*	354CHR	PACCAR PARTS	354
343-4051	Stemco	1721	343-4370	Stemco	1943*	356CHR	PACCAR PARTS	356
343-4052	Stemco	1603	343-4372	Stemco	1996*	357CHR	PACCAR PARTS	357
343-4057	Stemco	1754**	34381	Eaton Corp	50124	35820CHR	PACCAR PARTS	35820
343-4058	Stemco	1705**	34384	Freightliner	34384•	358400	Mechanix/Barrier	44964
343-4059	Stemco	1698*	34384	PACCAR PARTS	34384•	358CHR	PACCAR PARTS	358
343-4059	Stemco	1741**	34386	Freightliner	34384•	359-5990	Stemco	450434
343-4060	Stemco	1782	34386	Freightliner	34386	359-6124	Stemco	450608
343-4064	Stemco	1719	34386	PACCAR PARTS	34386	359-6124	Stemco	450439
343-4065	Stemco	1608	34387	Freightliner	34387	359-6125	Stemco	450439
343-4066	Stemco	1623*	34387	PACCAR PARTS	34387	359917C91	Navistar (IHC)	35066
343-4066	Stemco	1723**	3459952	Chrysler	35066	359918C91	Navistar (IHC)	35066
343-4070	Stemco	1724	347-4009	Stemco	1600	359920C91	Navistar (IHC)	44922
343-4072	Stemco	1670*	347-4013	Stemco	1601	359922C91	Navistar (IHC)	43764
343-4072	Stemco	1770**	348-4009	Stemco	1642*	359926C91	Navistar (IHC)	38780
343-4075	Stemco	1682*	348-4009	Stemco	1643*	359928C91	Navistar (IHC)	45160
343-4075	Stemco	1282^	348-4009	Stemco	1644*	359CHR	PACCAR PARTS	359
343-4080	Stemco	1698*	348-4013	Stemco	1642*	35A12890	White Farm	46305
343-4080	Stemco	1798**	348-4024	Stemco	1612*	35A12890	White Truck	46305
343-4081	Stemco	1752**	348-4075	Stemco	1682*	36	Kenworth	48794
343-4082	Stemco	1720**	348-4075	Stemco	1282^	360CHR	PACCAR PARTS	360
343-4090	Stemco	1797	348-4195	Stemco	1696*	361400	Mechanix/Barrier	47697
343-4091	Stemco	1612*	349-4009	Stemco	1343+	361CHR	PACCAR PARTS	361
343-4091	Stemco	1711**	349-4013	Stemco	1642*	361SERIES	Mechanix/Barrier	47697
343-4092	Stemco	1787**	349-4024	Stemco	1311+	362000	Mechanix/Barrier	42800
343-4093	Stemco	1788**	349-4024	Stemco	1326+	362300	Mechanix/Barrier	42800
343-4094	Stemco	1643*	349-4075	Stemco	1382+	362400	Mechanix/Barrier	42800
343-4094	Stemco	1743**	349-4075	Stemco	1284^	362402R91	Navistar (IHC)	36285
343-4095	Stemco	1643*	349-4195	Stemco	1399+	3627	STRICK	46305
343-4095	Stemco	1743**	34971	PACCAR PARTS	34971	36274CHR	PACCAR PARTS	36274
343-4096	Stemco	1784	34972	PACCAR PARTS	34972	36285	Freightliner	36285
343-4098	Stemco	1691*	34975	Freightliner	34975	36285	PACCAR PARTS	36285
343-4098	Stemco	1790**	34975	PACCAR PARTS	34975	362CHR	PACCAR PARTS	362

For in-text symbols, see page 5A.

Competitor & manufacturer interchange

Mfr no.	Mfr.	Part no.	Mfr no.	Mfr.	Part no.	Mfr no.	Mfr.	Part no.
362SERIES	._Mechanix/Barrier42800	370005A	._TIMKEN SEALS48002	370018A	._TIMKEN SEALS32470
363000SERIES	._Mechanix/Barrier	48000	370005AEXCGMC	..		370018AW/AR-8RING	..	
363300	._Mechanix/Barrier48000	FM SEAL & BRG48000		FM SEAL & BRG31244	
3633679	._Chrysler43764	370005AEXCGMC	._TIMKEN SEALS	48000	370018AW/AR-8RING	..	
363400	._Mechanix/Barrier48000	370005AW/GMC	._FM SEAL & BRG	47690	TIMKEN SEALS31244	
36356	._PACCAR PARTS36356	370005AW/GMC	._TIMKEN SEALS	47690	370019A	._FM SEAL & BRG43860
36357	._PACCAR PARTS36357	370006A	._FM SEAL & BRG	47699	370019A	._FM SEAL & BRG43861
36357CHR	._PACCAR PARTS36357	370006A	._TIMKEN SEALS	47699	370019A	._FM SEAL & BRG43865
36358CHR	._PACCAR PARTS36358	370007A	._FM SEAL & BRG	48794	370019A	._TIMKEN SEALS43860
36365	._PACCAR PARTS36365	370007A	._TIMKEN SEALS	48794	370019A	._TIMKEN SEALS43861
363716	._White Truck31307	370008A	._FM SEAL & BRG	39380	370021A	._FM SEAL & BRG45158
363716	._White Truck31323	370008A	._TIMKEN SEALS	39380	370021A	._FM SEAL & BRG45160
363CHR	._PACCAR PARTS363	370009A	._FM SEAL & BRG	39420	370021A	._FM SEAL & BRG45162
363SERIES	._Mechanix/Barrier48000	370009A	._FM SEAL & BRG	39425	370021A	._TIMKEN SEALS45157
364000SERIES	._Mechanix/Barrier	44964	370009A	._FM SEAL & BRG	39426	370021A	._TIMKEN SEALS45158
364300	._Mechanix/Barrier44964	370009A	._TIMKEN SEALS	39420	370021A	._TIMKEN SEALS45160
364400	._Mechanix/Barrier44964	370009A	._TIMKEN SEALS	39426	370022A	._FM SEAL & BRG45010
364CHR	._PACCAR PARTS364	370009BG	._FM SEAL & BRG	39420	370022A	._FM SEAL & BRG45093
364SERIES	._Mechanix/Barrier44964	370009BG	._TIMKEN SEALS	39420	370022A	._FM SEAL & BRG45097
364SZ100	._Mack35066	370010A	._FM SEAL & BRG	28820	370022A	._FM SEAL & BRG45099
364SZ2202	._Mack47697	370010A	._TIMKEN SEALS	28820	370022A	._FM SEAL & BRG45108
364SZ2203	._Mack42800	370011A	._FM SEAL & BRG	36356	370022A	._TIMKEN SEALS45093
364SZ2206	._Mack35066	370011A	._FM SEAL & BRG	36357	370022A	._TIMKEN SEALS45097
365000SERIES	._Mechanix/Barrier	48690	370011A	._FM SEAL & BRG	36358	370022A	._TIMKEN SEALS45099
36506	._Eaton Corp38780	370011A	._FM SEAL & BRG	36365	370023A	._FM SEAL & BRG38776•
365300	._Mechanix/Barrier48690	370011A	._TIMKEN SEALS	36357	370023A	._FM SEAL & BRG38779
365400	._Mechanix/Barrier48690	370011A	._TIMKEN SEALS	36358	370023A	._FM SEAL & BRG38780
365CHR	._PACCAR PARTS365	370011A	._TIMKEN SEALS	36365	370023A	._FM SEAL & BRG38782
365SERIES	._Mechanix/Barrier48690	370011AW/AR-1RING	..		370023A	._FM SEAL & BRG38783
366300	._Mechanix/Barrier48297	FM SEAL & BRG36365		370023A	._FM SEAL & BRG40146
366400	._Mechanix/Barrier48297	370011AW/AR-1RING	..		370023A	._TIMKEN SEALS38776•
366SERIES	._Mechanix/Barrier48297	TIMKEN SEALS36365		370023A	._TIMKEN SEALS38779
36SR13	._Kenworth48794	370011AW/AR-4RING	..		370023A	._TIMKEN SEALS38780
36SR13	._Mack48794	FM SEAL & BRG36365		370023A	._TIMKEN SEALS38782
370000SERIES	._Mechanix/Barrier	38780	370011AW/AR-4RING	..		370023A	._TIMKEN SEALS39426
370001A	._FM SEAL & BRG35058•	TIMKEN SEALS36365		370024A	._FM SEAL & BRG38746
370001A	._FM SEAL & BRG35059	370012A	._FM SEAL & BRG	36285	370024A	._FM SEAL & BRG38748
370001A	._FM SEAL & BRG35066	370012A	._TIMKEN SEALS	36285	370024A	._FM SEAL & BRG38750
370001A	._FM SEAL & BRG35102	370012AW/AR-6RING	..		370024A	._TIMKEN SEALS38748
370001A	._FM SEAL & BRG35103	FM SEAL & BRG36285		370024A	._TIMKEN SEALS38750
370001A	._TIMKEN SEALS35058•	370012AW/AR-6RING	..		370025A	._FM SEAL & BRG46300
370002A	._FM SEAL & BRG35075	TIMKEN SEALS36285		370025A	._FM SEAL & BRG46304
370002A	._TIMKEN SEALS35075	370012AW/AR-7RING	..		370025A	._FM SEAL & BRG46305
370003A	._FM SEAL & BRG47692•	FM SEAL & BRG35060		370025A	._FM SEAL & BRG46306
370003A	._FM SEAL & BRG47691	370012AW/AR-7RING	..		370025A	._FM SEAL & BRG46308
370003A	._FM SEAL & BRG47693	TIMKEN SEALS35060		370025A	._TIMKEN SEALS46300
370003A	._FM SEAL & BRG47694	370013A	._FM SEAL & BRG	35075	370025A	._TIMKEN SEALS46304
370003A	._FM SEAL & BRG47695	370013A	._TIMKEN SEALS	35075	370025A	._TIMKEN SEALS46305
370003A	._FM SEAL & BRG47696	370014A	._FM SEAL & BRG	31281	370025A	._TIMKEN SEALS46308
370003A	._FM SEAL & BRG47697	370014A	._TIMKEN SEALS	31281	370026A	._FM SEAL & BRG46390
370003A	._FM SEAL & BRG47698	370014A/AR5RING	..		370026A	._TIMKEN SEALS46390
370003A	._TIMKEN SEALS47692•	FM SEAL & BRG31244		370026AW/AR-2RING	..	
370003A	._TIMKEN SEALS47691	370014A/AR5RING	..		FM SEAL & BRG46390	
370003A	._TIMKEN SEALS47695	TIMKEN SEALS31244		370026AW/AR-2RING	..	
370003A	._TIMKEN SEALS47697	370014AW/AR-13RING	..		TIMKEN SEALS46390	
370004A	._FM SEAL & BRG48884	FM SEAL & BRG31266		370027A	._FM SEAL & BRG48297
370004A	._TIMKEN SEALS48884	370014AW/AR-13RING	..		370027A	._TIMKEN SEALS48297
370004AW/AR-2ORING	..		FM SEAL & BRG31281		370028A	._FM SEAL & BRG50124
FM SEAL & BRG48298		370014AW/AR-13RING	..		370028A	._TIMKEN SEALS50124
370004AW/AR-2ORING	..		TIMKEN SEALS31266		370030A	._FM SEAL & BRG42800
TIMKEN SEALS48298		370014AW/AR-13RING	..		370030A	._TIMKEN SEALS42800
370005A	._FM SEAL & BRG48000	TIMKEN SEALS31281		370031A	._FM SEAL & BRG42671
370005A	._FM SEAL & BRG48001	370015A	._FM SEAL & BRG	40040	370031A	._FM SEAL & BRG42672
370005A	._FM SEAL & BRG48002	370015A	._TIMKEN SEALS	40040	370031A	._FM SEAL & BRG42673
370005A	._TIMKEN SEALS48000	370018A	._FM SEAL & BRG	32470	370031A	._TIMKEN SEALS42671
370005A	._TIMKEN SEALS48001	370018A	._PWR TRN COMP	32470	370031A	._TIMKEN SEALS42672

For in-text symbols, see page 5A.

Competitor & manufacturer interchange

Mfr no.	Mfr.	Part no.	Mfr no.	Mfr.	Part no.	Mfr no.	Mfr.	Part no.
370033A	_FM SEAL & BRG	38709	370066A	_TIMKEN SEALS	40088	370173A	_TIMKEN SEALS	48002
370033A	_FM SEAL & BRG	39977	370066AW/AR-11RING	_		370178A	_FM SEAL & BRG	44963
370033A	_FM SEAL & BRG	39979	FM SEAL & BRG	40086		370178A	_FM SEAL & BRG	44964
370033A	_FM SEAL & BRG	39988	370066AW/AR-11RING	_		370178A	_FM SEAL & BRG	45010
370033A	_TIMKEN SEALS	39977	TIMKEN SEALS	40086		370178A	_TIMKEN SEALS	44963
370033A	_TIMKEN SEALS	39979	370069A	_FM SEAL & BRG	52658	370178A	_TIMKEN SEALS	44964
370033A	_TIMKEN SEALS	39988	370069A	_FM SEAL & BRG	52660	370178A	_TIMKEN SEALS	45010
370033AW/AR-12RING	_		370069A	_FM SEAL & BRG	52664	370181A	_FM SEAL & BRG	47690
FM SEAL & BRG	39988		370069A	_TIMKEN SEALS	52658	370181A	_TIMKEN SEALS	47690
370033AW/AR-12RING	_		370086A	_FM SEAL & BRG	45152	370182A	_FM SEAL & BRG	43761•
TIMKEN SEALS	39988		370086A	_FM SEAL & BRG	45157	370182A	_FM SEAL & BRG	43763
370034A	_FM SEAL & BRG	43875	370086A	_TIMKEN SEALS	45152	370182A	_FM SEAL & BRG	43764
370034A	_TIMKEN SEALS	43875	370106A	_FM SEAL & BRG	42550	370182A	_TIMKEN SEALS	43761•
370036A	_FM SEAL & BRG	40129•	370106A	_TIMKEN SEALS	42550	370182A	_TIMKEN SEALS	43763
370036A	_FM SEAL & BRG	40133	370106A W/AR22	_		370192A	_FM SEAL & BRG	45162
370036A	_FM SEAL & BRG	40134	FM SEAL & BRG	42550		370192A	_TIMKEN SEALS	45162
370036A	_FM SEAL & BRG	40135	370106A W/AR22	_TIMKEN SEALS	42550	370195A	_FM SEAL & BRG	48690
370036A	_FM SEAL & BRG	40136	370106A(W/OEMRING)	_		370195A	_FM SEAL & BRG	48691
370036A	_FM SEAL & BRG	40139	FM SEAL & BRG	42550		370195A	_TIMKEN SEALS	48690
370036A	_FM SEAL & BRG	40147	370106A(W/OEMRING)	_		370199A	_FM SEAL & BRG	23590
370036A	_TIMKEN SEALS	40129•	TIMKEN SEALS	42550		370199A	_TIMKEN SEALS	23590
370036A	_TIMKEN SEALS	40133	370107A	_FM SEAL & BRG	42624	370211A	_FM SEAL & BRG	29400
370036A	_TIMKEN SEALS	40136	370107A	_TIMKEN SEALS	42624	370211A	_FM SEAL & BRG	29480
370037A	_FM SEAL & BRG	43752	370121A	_FM SEAL & BRG	48884	370211A	_TIMKEN SEALS	29400
370037A	_FM SEAL & BRG	43753	370121A	_TIMKEN SEALS	48884	370211A	_TIMKEN SEALS	29480
370037A	_FM SEAL & BRG	43754	370124A	_FM SEAL & BRG	44916	370220A	_FM SEAL & BRG	47245
370037A	_TIMKEN SEALS	43752	370124A	_FM SEAL & BRG	44919	370300	_Mechanix/Barrier	38780
370037A	_TIMKEN SEALS	43753	370124A	_FM SEAL & BRG	44922	370338A	_FM SEAL & BRG	43752
370037A	_TIMKEN SEALS	43754	370124A	_FM SEAL & BRG	44924	370338A	_FM SEAL & BRG	43753
370046A	_FM SEAL & BRG	31307	370124A	_TIMKEN SEALS	44916	370338A	_FM SEAL & BRG	43754
370046A	_FM SEAL & BRG	31323	370124A	_TIMKEN SEALS	44919	370338A	_TIMKEN SEALS	43752
370046A	_TIMKEN SEALS	31307	370124A	_TIMKEN SEALS	44922	370338A	_TIMKEN SEALS	43753
370046A	_TIMKEN SEALS	31323	370131A	_FM SEAL & BRG	45093	370338A	_TIMKEN SEALS	43754
370047A	_FM SEAL & BRG	34384•	370131A	_FM SEAL & BRG	45095	370349A	_FM SEAL & BRG	40129•
370047A	_FM SEAL & BRG	34386	370131A	_FM SEAL & BRG	45100	370349A	_FM SEAL & BRG	40133
370047A	_FM SEAL & BRG	34387	370131A	_FM SEAL & BRG	45102	370349A	_FM SEAL & BRG	40134
370047A	_TIMKEN SEALS	34384•	370131A	_FM SEAL & BRG	45103	370349A	_FM SEAL & BRG	40135
370047A	_TIMKEN SEALS	34386	370131A	_TIMKEN SEALS	45095	370349A	_FM SEAL & BRG	40136
370048A	_FM SEAL & BRG	34387	370132A	_FM SEAL & BRG	34971	370349A	_FM SEAL & BRG	40139
370048A	_TIMKEN SEALS	43761•	370132A	_FM SEAL & BRG	34972	370349A	_FM SEAL & BRG	40147
370048A	_FM SEAL & BRG	43763	370132A	_FM SEAL & BRG	34975	370349A	_TIMKEN SEALS	40129•
370048A	_FM SEAL & BRG	43764	370132A	_FM SEAL & BRG	34994	370349A	_TIMKEN SEALS	40133
370048A	_TIMKEN SEALS	43761•	370132A	_TIMKEN SEALS	34971	370349A	_TIMKEN SEALS	40136
370048A	_TIMKEN SEALS	43763	370132A	_TIMKEN SEALS	34972	370349A	_TIMKEN SEALS	40139
370048A	_TIMKEN SEALS	43764	370132A	_TIMKEN SEALS	34975	370352A	_FM SEAL & BRG	27438
370051A	_FM SEAL & BRG	46396	370145A	_FM SEAL & BRG	31175	370352A	_TIMKEN SEALS	27438
370051A	_TIMKEN SEALS	46396	370145A	_FM SEAL & BRG	31182	370400	_Mechanix/Barrier	38780
370054A	_FM SEAL & BRG	28832	370145A	_TIMKEN SEALS	31175	370-7003	_Stemco	40136
370054A	_TIMKEN SEALS	28832	370145A	_TIMKEN SEALS	31182	370-7005	_Stemco	35075
370057A	_FM SEAL & BRG	48792	370150A	_FM SEAL & BRG	28758	370-7006	_Stemco	35075
370057A	_FM SEAL & BRG	48796	370150A	_FM SEAL & BRG	28759	370-7007	_Stemco	46305
370057A	_TIMKEN SEALS	48796	370150A	_TIMKEN SEALS	28758	370-7009	_Stemco	35075
370065A	_FM SEAL & BRG	42627•	370150A	_TIMKEN SEALS	28759	370-7011	_Stemco	35075
370065A	_FM SEAL & BRG	42622	370165A	_FM SEAL & BRG	38747	370-7012	_Stemco	43752
370065A	_FM SEAL & BRG	42623	370165A	_TIMKEN SEALS	38747	370-7013	_Stemco	40129•
370065A	_FM SEAL & BRG	42625	370169A	_FM SEAL & BRG	34994	370-7013	_Stemco	40133
370065A	_FM SEAL & BRG	42630	370169A	_FM SEAL & BRG	34999	370-7013	_Stemco	40136
370065A	_FM SEAL & BRG	42631	370169A	_FM SEAL & BRG	35000	370-7013	_Stemco	43752
370065A	_TIMKEN SEALS	42627•	370169A	_TIMKEN SEALS	34994	370-7013	_Stemco	43754
370065A	_TIMKEN SEALS	42622	370169A	_TIMKEN SEALS	34999	370-7014	_Stemco	40139
370065A	_TIMKEN SEALS	42623	370169A	_TIMKEN SEALS	35000	370-7015	_Stemco	45162
370066A	_FM SEAL & BRG	40085	370173A	_FM SEAL & BRG	48000	370-7016	_Stemco	48298
370066A	_FM SEAL & BRG	40086	370173A	_FM SEAL & BRG	48001	370-7017	_Stemco	45162
370066A	_FM SEAL & BRG	40088	370173A	_FM SEAL & BRG	48002	370-7018	_Stemco	39380
370066A	_FM SEAL & BRG	40091	370173A	_TIMKEN SEALS	48000	370-7021	_Stemco	36274
370066A	_TIMKEN SEALS	40086	370173A	_TIMKEN SEALS	48001	370-7022	_Stemco	46390

For in-text symbols, see page 5A.

Competitor & manufacturer interchange

Mfr no.	Mfr.	Part no.	Mfr no.	Mfr.	Part no.	Mfr no.	Mfr.	Part no.
370-7023	Stemco	42623	372-7048	Stemco	31323	373400EXC.GM	CORIH	
370-7024	Stemco	42624	372-7049	Stemco	31281	Mechanix/Barrier		38780
370-7025	Stemco	48297	372-7055	Stemco	35075	373400GMC	Mechanix/Barrier	38750
370-7031	Stemco	40129*	372-7062	Stemco	42627*	373400IHC	Mechanix/Barrier	38747
370-7031	Stemco	40133	372-7062	Stemco	42622	373468	General Motor Corp.	1704**
370-7031	Stemco	40134	372-7062	Stemco	42623	373600024	Utility Trailer	46305
370-7031	Stemco	40136	372-7062	Stemco	42625	3-7360-024	Utility Trailer	46305
370-7034	Stemco	43752	372-7062	Stemco	42631	3-7360-025	Utility Trailer	46300
370-7043	Stemco	46305	372-7091	Stemco	42624	3-7360-025	Utility Trailer	46304
370-7044	Stemco	43752	372-7095	Stemco	43752	3-7360-19	Utility Trailer	46305
370-7046	Stemco	28820	372-7095	Stemco	43753	373SERIES	Mechanix/Barrier	39420
370-7048	Stemco	31307	372-7095	Stemco	43754	374000SERIES	Mechanix/Barrier	38780
370-7048	Stemco	31323	372-7097	Stemco	46300	374300	Mechanix/Barrier	38750
370-7049	Stemco	31281	372-7097	Stemco	46304	374400	Mechanix/Barrier	38750
370-7055	Stemco	35075	372-7097	Stemco	46305	374SERIES	Mechanix/Barrier	38750
370-7061	Stemco	43764	372-7098	Stemco	40129*	375000SERIES	Mechanix/Barrier	39380
370-7091	Stemco	42624	372-7098	Stemco	40133	375300	Mechanix/Barrier	39380
370-7095	Stemco	43752	372-7098	Stemco	40136	375400	Mechanix/Barrier	39380
370-7097	Stemco	46305	372-7099	Stemco	42627*	375SERIES	Mechanix/Barrier	39380
370-7098	Stemco	40129*	372-7099	Stemco	42622	376000SERIES	Mechanix/Barrier	38780
370-7098	Stemco	40133	372-7099	Stemco	42623	376400	Mechanix/Barrier	38747
370-7098	Stemco	40136	372-7099	Stemco	46390	376590	Freightliner	42623
370-7099	Stemco	42627*	372SERIES	Mechanix/Barrier	45160	376590	TIMKEN SEALS	42623
370-7099	Stemco	42622	373000SERIES	Mechanix/Barrier	39380	376590A	FM SEAL & BRG	42627*
370-7099	Stemco	42623	373-0113	Stemco	40129*	376590A	FM SEAL & BRG	42622
370-7099	Stemco	42625	373-0113	Stemco	40133	376590A	FM SEAL & BRG	42624
370-7701	Stemco	46305	373-0113	Stemco	40136	376590A	FM SEAL & BRG	42625
370-7702	Stemco	40136	373-0113	Stemco	40147	376590A	FM SEAL & BRG	42630
370-7703	Stemco	42623	373-0123	Stemco	42627*	376590A	FM SEAL & BRG	42631
370-8036	Stemco	35066	373-0123	Stemco	42622	376590A	FM SEAL & BRG	46300
370SERIES	Mechanix/Barrier	38780	373-0123	Stemco	42623	376590A	TIMKEN SEALS	42624
371000SERIES	Mechanix/Barrier	43860	373-0123	Stemco	42625	376590X	FM SEAL & BRG	42623
371-0013	Stemco	40129*	373-0123	Stemco	42631	376590X	TIMKEN SEALS	42623
371-0013	Stemco	40133	373-0143	Stemco	46300	3766706	General Motor Corp.	31175
371-0013	Stemco	40136	373-0143	Stemco	46304	377	General Motor Corp.	32470
371-0013	Stemco	40146	373-0143	Stemco	46305	377000SERIES	Mechanix/Barrier	38780
371-0023	Stemco	42627*	373-0143	Stemco	46308	3771094	General Motor Corp.	32470
371-0023	Stemco	42622	3730144	Stemco	43752	3772445	General Motor Corp.	31175
371-0023	Stemco	42623	3730144	Stemco	43754	377400	Mechanix/Barrier	38747
371-0023	Stemco	42630	3730191	Stemco	42624	377-7713	Stemco	40129*
371-0043	Stemco	46300	373-0213	Stemco	40129*	377-7713	Stemco	40136
371-0043	Stemco	46304	373-0213	Stemco	40133	377-7723	Stemco	42623
371-0043	Stemco	46305	373-0213	Stemco	40136	377-7743	Stemco	46305
371-0043	Stemco	46306	373-0213	Stemco	40147	377-7744	Stemco	43752
3712 & 1712	Stemco	45158	373-0223	Stemco	42627*	3784844	Chrysler	35066
3712 & 1712	Stemco	45160	373-0223	Stemco	42622	378D2	REO	43764
3712 & 1712	Stemco	45162	373-0223	Stemco	42623	3794846	General Motor Corp.	42550
371300	Mechanix/Barrier	43860	373-0223	Stemco	42625	3796564	General Motor Corp.	38750
371400	Mechanix/Barrier	43860	373-0223	Stemco	42631	3796575	General Motor Corp.	39420
371D6	REO	39380	373-0243	Stemco	46300	380001A	FM SEAL & BRG	35058*
371SERIES	Mechanix/Barrier	43860	373-0243	Stemco	46304	380001A	FM SEAL & BRG	35059
372000SERIES	Mechanix/Barrier	45160	373-0243	Stemco	46305	380001A	FM SEAL & BRG	35066
372300	Mechanix/Barrier	45160	373-0243	Stemco	46308	380001A	FM SEAL & BRG	35102
372400	Mechanix/Barrier	45160	373-0323	Stemco	42627*	380001A	TIMKEN SEALS	35058*
372-7003	Stemco	40136	373-0323	Stemco	42623	380001A	TIMKEN SEALS	35059
372-7005	Stemco	35075	373-0343	Stemco	46300	380001A	TIMKEN SEALS	35066
372-7006	Stemco	35075	373-0343	Stemco	46305	380001A	TIMKEN SEALS	35102
372-7009	Stemco	35075	373300EXC.GM	CORIH		380001A	TIMKEN SEALS	35103
372-7015	Stemco	45162	Mechanix/Barrier		38780	380003A	FM SEAL & BRG	47692*
372-7017	Stemco	45162	373300GMC	Mechanix/Barrier	38750	380003A	FM SEAL & BRG	47691
372-7018	Stemco	39380	373300IHC	Mechanix/Barrier	38747	380003A	FM SEAL & BRG	47695
372-7022	Stemco	46390	3733703	Chrysler	1711**	380003A	FM SEAL & BRG	47696
372-7024	Stemco	42624	3733704	Chrysler	1781**	380003A	FM SEAL & BRG	47697
372-7025	Stemco	48297	3733705	Chrysler	1765**	380003A	TIMKEN SEALS	47692*
372-7046	Stemco	28820	3733-706	Chrysler	35066	380003A	TIMKEN SEALS	47691
372-7048	Stemco	31307	373400	Mechanix/Barrier	39420	380003A	TIMKEN SEALS	47693

For in-text symbols, see page 5A.

Competitor & manufacturer interchange

Mfr no.	Mfr.	Part no.	Mfr no.	Mfr.	Part no.	Mfr no.	Mfr.	Part no.
380003A	TIMKEN SEALS	47695	380-8001	Stemco	40086	381-0056	Stemco	45095
380003A	TIMKEN SEALS	47696	380-8009	Stemco	31175	381-0056	Stemco	45102
380003A	TIMKEN SEALS	47697	380-8010	Stemco	31244	381-0056	Stemco	45103
380003TX	FM SEAL & BRG	47692•	380-8011	Stemco	36365	381-0064	Stemco	43761•
380003TX	FM SEAL & BRG	47691	380-8014	Stemco	40040	381-0064	Stemco	43763
380003TX	FM SEAL & BRG	47695	380-8016	Stemco	27438	381-0064	Stemco	43764
380003TX	TIMKEN SEALS	47692•	380-8017	Stemco	32470	381300	Mechanix/Barrier	43875
380003TX	TIMKEN SEALS	47691	380-8018	Stemco	28820	381400	Mechanix/Barrier	43875
380003TX	TIMKEN SEALS	47695	380-8020	Stemco	36365	381CHR	PACCAR PARTS	381
380019C91	Navistar (IHC)	38780	380-8022	Stemco	34975	381SERIES	Mechanix/Barrier	43875
380022A	FM SEAL & BRG	45093	380-8023	Stemco	39988	382119	White Truck	31244
380022A	FM SEAL & BRG	45097	380-8025	Stemco	35075	382300	Mechanix/Barrier	43865
380022A	FM SEAL & BRG	45099	380-8028	Stemco	48794	382400	Mechanix/Barrier	43865
380022A	FM SEAL & BRG	45108	380-8029	Stemco	39380	382-8001	Stemco	40085
380022A	TIMKEN SEALS	45093	380-8030	Stemco	31244	382-8001	Stemco	40086
380022A	TIMKEN SEALS	45097	380-8032	Stemco	36365	382-8001	Stemco	40088
380022A	TIMKEN SEALS	45099	380-8033	Stemco	35060	382-8009	Stemco	31175
380022A	TIMKEN SEALS	45108	380-8034	Stemco	36285	382-8010	Stemco	31244
380023A	FM SEAL & BRG	38776•	380-8035	Stemco	35060	382-8011	Stemco	36365
380023A	FM SEAL & BRG	38779	380-8036	Stemco	35066	382-8016	Stemco	27438
380023A	FM SEAL & BRG	38780	380-8037	Stemco	43764	382-8017	Stemco	32470
380023A	FM SEAL & BRG	38782	380-8039	Stemco	39988	382-8018	Stemco	28820
380023A	TIMKEN SEALS	38776•	380-8041	Stemco	39380	382-8023	Stemco	39988
380023A	TIMKEN SEALS	38779	380-8042	Stemco	35075	382-8023	Stemco	455031
380023A	TIMKEN SEALS	38780	380-8043	Stemco	27438	382-8025	Stemco	35075
380023A	TIMKEN SEALS	38782	380-8044	Stemco	28832	382-8028	Stemco	48794
380025A	FM SEAL & BRG	46300	380-8045	Stemco	48796	382-8029	Stemco	39380
380025A	FM SEAL & BRG	46304	380-8046	Stemco	44922	382-8032	Stemco	36365
380025A	FM SEAL & BRG	46305	380-8052	Stemco	40040	382-8034	Stemco	36285
380025A	FM SEAL & BRG	46306	380-8053	Stemco	44922	382-8035	Stemco	35060
380025A	TIMKEN SEALS	46300	380-8054	Stemco	45093	382-8035	Stemco	36285
380025A	TIMKEN SEALS	46304	380-8054	Stemco	45100	382-8036	Stemco	35058•
380025A	TIMKEN SEALS	46305	380-8054	Stemco	45103	382-8036	Stemco	35059
380025A	TIMKEN SEALS	46306	380-8056	Stemco	45095	382-8036	Stemco	35066
380025A	TIMKEN SEALS	46308	380-8056	Stemco	45103	382-8036	Stemco	35072
380031A	FM SEAL & BRG	42673	380-8060	Stemco	43800	382-8039	Stemco	39977
380031A	TIMKEN SEALS	42672	380-8062W/39578	Stemco	31266	382-8039	Stemco	39979
380031A	TIMKEN SEALS	42673	380-8062W/39578	Stemco	31281	382-8039	Stemco	39988
380036A	FM SEAL & BRG	40129•	380-8062W/39585	Stemco	31266	382-8042	Stemco	35075
380036A	FM SEAL & BRG	40133	380-8062W/39585	Stemco	31281	382-8043	Stemco	27438
380036A	FM SEAL & BRG	40136	380-8063	Stemco	34971	382-8044	Stemco	28832
380036A	FM SEAL & BRG	40146	380-8063	Stemco	34972	382-8045	Stemco	48796
380036A	TIMKEN SEALS	40129•	380-8063	Stemco	34975	382-8052	Stemco	40040
380036A	TIMKEN SEALS	40133	380-8064	Stemco	43761•	382-8053	Stemco	44916
380036A	TIMKEN SEALS	40136	380-8064	Stemco	43764	382-8053	Stemco	44919
380036A	TIMKEN SEALS	40146	380-8066	Stemco	28758	382-8053	Stemco	44922
380048A	FM SEAL & BRG	43761•	380-8066	Stemco	28759	382-8056	Stemco	45093
380048A	TIMKEN SEALS	43761•	380-8067	Stemco	45093	382-8056	Stemco	45095
380048A	TIMKEN SEALS	43764	380-8067	Stemco	45095	382-8056	Stemco	45102
380065A	FM SEAL & BRG	42627•	380-8067	Stemco	45103	382-8056	Stemco	45103
380065A	FM SEAL & BRG	42622	380-8071	Stemco	36356	382-8060	Stemco	43800
380065A	FM SEAL & BRG	42623	380-8071	Stemco	36358	382-8063	Stemco	34971
380065A	FM SEAL & BRG	42630	3808192	White Truck	36285	382-8063	Stemco	34972
380065A	TIMKEN SEALS	42627•	3808192-1EA	White Truck	36285	382-8063	Stemco	34975
380065A	TIMKEN SEALS	42622	380-8701	Stemco	35066	382-8064	Stemco	43761•
380065A	TIMKEN SEALS	42623	380CHR	PACCAR PARTS	380	382-8064	Stemco	43763
380065A	TIMKEN SEALS	42630	381000SERIES	Mechanix/Barrier	43875	382-8064	Stemco	43764
380065A	TIMKEN SEALS	42631	381-0028	Stemco	48794	382-8066	Stemco	28758
380131A	FM SEAL & BRG	45095	381-0034	Stemco	36285	382-8066	Stemco	28759
380131A	FM SEAL & BRG	45102	381-0036	Stemco	35058•	382-8071	Stemco	36356
380131A	FM SEAL & BRG	45103	381-0036	Stemco	35059	382-8071	Stemco	36357
380131A	TIMKEN SEALS	45095	381-0036	Stemco	35066	382-8071	Stemco	36358
380131A	TIMKEN SEALS	45102	381-0036	Stemco	35102	382-8071	Stemco	36365
380131A	TIMKEN SEALS	45103	381-0036	Stemco	36356	3828492	Chrysler	43764
3804328C1	Navistar (IHC)	28832	381-0053	Stemco	44916	382SERIES	Mechanix/Barrier	43865
38046	Eaton Corp	45160	381-0056	Stemco	45093	383-0101	Stemco	40086

For in-text symbols, see page 5A.

Competitor & manufacturer interchange

Mfr no.	Mfr.	Part no.	Mfr no.	Mfr.	Part no.	Mfr no.	Mfr.	Part no.
383-0101	Stemco	40091	385CHR	PACCAR PARTS	385	389CHR	PACCAR PARTS	389
383-0136	Stemco	35058*	385SERIES	Mechanix/Barrier	45099	38GX225	Oshkosh Truck Corp.	43752
383-0136	Stemco	35059	386	TIMKEN SEALS	386	390400	Mechanix/Barrier	47699
383-0136	Stemco	35066	386000SERIES	Mechanix/Barrier	48792	390-7048	Stemco	31307
383-0136	Stemco	35103	386025A	FM SEAL & BRG	46304	390-7048	Stemco	31323
383-0139	Stemco	39977	386025A	FM SEAL & BRG	46305	390-9001	Stemco	48884
383-0139	Stemco	39979	386025A	FM SEAL & BRG	46308	390-9002	Stemco	45099
383-0139 W/310-1132	Stemco	39977	386300	Mechanix/Barrier	48792	390-9003	Stemco	45099
383-0139 W/310-1132	Stemco	39979	386400	Mechanix/Barrier	48792	390-9004	Stemco	42671
383-0139 W/310-1132	Stemco	39988	386CHR	PACCAR PARTS	386	390-9004	Stemco	42672
383-0153	Stemco	44916	386SERIES	Mechanix/Barrier	48792	390-9005	Stemco	45160
383-0153	Stemco	44919	387000SERIES	Mechanix/Barrier	50124	390-9006	Stemco	43860
383-0153	Stemco	44922	38709	PACCAR PARTS	38709	390-9006	Stemco	43865
383-0156	Stemco	45093	387300	Mechanix/Barrier	50124	390-9007	Stemco	50124
383-0156	Stemco	45095	38736CHR	PACCAR PARTS	38736	390-9010	Stemco	38709
383-0156	Stemco	45102	387400	Mechanix/Barrier	50124	390-9012	Stemco	38776*
383-0156	Stemco	45103	3874368W/3880944			390-9012	Stemco	38780
383-0164	Stemco	43761*	General Motor Corp.	42550		390-9014	Stemco	42800
383-0164	Stemco	43763	3874372	General Motor Corp.	453674	390-9015	Stemco	38750
383-0164	Stemco	43764	3874372W/OEMSEAL			390-9018	Stemco	39420
383-0164	Stemco	43765	General Motor Corp.	453674		390-9019	Stemco	48792
3830166	Stemco	28758	38746CHR	PACCAR PARTS	38746	390-9019	Stemco	48796
3830166	Stemco	28759	38747	PACCAR PARTS	38747	390-9021	Stemco	48297
383-0171	Stemco	36356	387475	Navistar (IHC)	38747	390-9022	Stemco	47690
383-0171	Stemco	36357	387485C91	Navistar (IHC)	38747	390-9022	Stemco	48000
383-0171	Stemco	36358	38748CHR	PACCAR PARTS	38748	390-9022	Stemco	48001
3830175	Stemco	23590	38750	Freightliner	38750	390-9022	Stemco	48002
3830176	Stemco	29400	38750	PACCAR PARTS	38750	390-9024	Stemco	47699
3830176	Stemco	29480	38776	Freightliner	38776*	3909025	Stemco	43860
383-0236	Stemco	35058*	38776	PACCAR PARTS	38776*	3909025	Stemco	43861
383-0236	Stemco	35059	38779	Freightliner	38776*	3909025	Stemco	43865
383-0236	Stemco	35066	38779	Freightliner	38779	390-9025W/EATON42DAX		
383-0236	Stemco	35103	38779	PACCAR PARTS	38779	Stemco	43860	
383-0239	Stemco	39977	38780	PACCAR PARTS	38780	390-9026	Stemco	43865
383-0239	Stemco	39979	38782CHR	PACCAR PARTS	38782	390-9027	Stemco	47699
383-0239	Stemco	39988	38783CHR	PACCAR PARTS	38783	390-9030	Stemco	45152
383-0264	Stemco	43761*	387-8736	Stemco	35058*	390-9031	Stemco	38747
383-0264	Stemco	43763	387-8736	Stemco	35059	390-9032	Stemco	40129*
383-0264	Stemco	43764	387-8736	Stemco	35066	390-9032	Stemco	40133
383-0264	Stemco	43765	387-8753	Stemco	44922	390-9032	Stemco	40134
383-0336	Stemco	35066	387-8755	Stemco	45093	390-9032	Stemco	40136
383300	Mechanix/Barrier	42672	387-8755	Stemco	45095	390-9033	Stemco	44964
383400	Mechanix/Barrier	42672	387-8755	Stemco	45103	390-9034	Stemco	48690
383686C91	Navistar (IHC)	1709	387-8756	Stemco	45093	390-9035	Stemco	34387
383691	Navistar (IHC)	1707	387-8756	Stemco	45095	390-9036	Stemco	35000
383691C91	Navistar (IHC)	1707	387-8756	Stemco	45103	390-9038	Stemco	31307
383694C91	Navistar (IHC)	1745	387-8763	Stemco	34971	390-9038	Stemco	31323
383695C91	Navistar (IHC)	1721	387-8763	Stemco	34975	390-9044	Stemco	43875
383698C91	Navistar (IHC)	1798**	387-8764	Stemco	43761*	390-9045	Stemco	42550
383709C91	Navistar (IHC)	28820	387-8764	Stemco	43763	390-9046	Stemco	48297
383716C91	Navistar (IHC)	35075	387-8764	Stemco	43764	390-9047	Stemco	42672
383-8239	Stemco	39979	387-8766	Stemco	28758	390-9048	Stemco	52658
383CHR	PACCAR PARTS	383	387-8766	Stemco	28759	390-9049	Stemco	50190
383SERIES	Mechanix/Barrier	42672	387947C91	Navistar (IHC)	1743**	390-9050	Stemco	52658
384300	Mechanix/Barrier	40136	387CHR	PACCAR PARTS	387	390-9050(SEECATL)	Stemco	52660
384342	White Truck	40136	387SERIES	Mechanix/Barrier	50124	390-9051	Stemco	50190
384400	Mechanix/Barrier	40136	388000SERIES	Mechanix/Barrier	39425	390-9052EXCEATON42D	Stemco	43860
384500	Mechanix/Barrier	40136	388400	Mechanix/Barrier	39425	390-9052W/EATON42D	Stemco	43860
384CHR	PACCAR PARTS	384	388CHR	PACCAR PARTS	388	390-9054	Stemco	48690
384SERIES	Mechanix/Barrier	40136	389000SERIES	Mechanix/Barrier	42672	390-9056	Stemco	38776*
385-0863	Stemco	34971	3893105	Chrysler	35066	390-9056	Stemco	38746
385-0863	Stemco	34972	3893149	Chrysler	1743**	390-9056	Stemco	38747
385-0864	Stemco	43761*	389400	Mechanix/Barrier	42672	390-9056	Stemco	38748
385-0864	Stemco	43763	3897857	Chrysler	34387	390-9056	Stemco	38750
385300	Mechanix/Barrier	45099	389881	White Truck	31307	390-9056	Stemco	38780
385400	Mechanix/Barrier	45099	389881	White Truck	31323	390-9056EXCGMC&IHC	Stemco	38780

For in-text symbols, see page 5A.

Competitor & manufacturer interchange

Mfr no.	Mfr.	Part no.	Mfr no.	Mfr.	Part no.	Mfr no.	Mfr.	Part no.					
390-9056	GMC	Stemco	38750	390-9099	GMC	Stemco	38750	3918849	Volvo Truck NA	28759			
390-9056	IHC(SEECA TL)	Stemco	38747	390-9099	IHC(SEECA TL)	Stemco	38747	3918849	Volvo/GMC/White Truck	28758			
390-9057	Stemco	39420	390-9111	Stemco	47245	3918849	Volvo/GMC/White Truck	28759					
390-9057	Stemco	39425	390-9702	(FOR2)	Stemco	47697	3918853	Volvo Truck NA	1703**				
390-9057	Stemco	39426	390-9702	EXCSOME EATON	Stemco	47697	3918950	Volvo Truck NA	39988				
390-9059	EXCSOME EATON	Stemco	47697	390-9702	W/EATON19SER	Stemco	45152	3918950	Volvo/GMC/White Truck	39988			
390-9059	W/EATON19&44	Stemco	45152	390-9702	W/EATON42D	Stemco	43860	3918951	Volvo Truck NA	52658			
390-9060	Stemco	47690	390-9703	EXCGMC&IHC	Stemco	38780	3918951	Volvo/GMC/White Truck	52658				
390-9060	Stemco	48000	390-9703	GMC	Stemco	38750	3918952	Volvo Truck NA	28832				
390-9060	Stemco	48001	390-9703	IHC(SEECA TL)	Stemco	38747	3918952	Volvo/GMC/White Truck	28832				
390-9060	Stemco	48002	390CHR	PACCAR PARTS	390	390SERIES	Mechanix/Barrier	47699	3918953	Volvo Truck NA	1703**		
390-9061	Stemco	42800	391-0003	Stemco	45093	391-0003	Stemco	45097	3918953	Volvo/GMC/White Truck	1703**		
390-9062	Stemco	48884	391-0003	Stemco	45097	391-0003	Stemco	45099	3918954	Volvo Truck NA	1282^		
390-9064	Stemco	45160	391-0003	Stemco	45099	391-0003	Stemco	45108	3918954	Volvo/GMC/White Truck	1282^		
390-9065	Stemco	43860	391-0003	Stemco	45108	391-0004	Stemco	42671	3918955	Volvo Truck NA	1643*		
390-9065	EXC.EATON42D	Stemco	43860	391-0004	Stemco	42671	391-0004	Stemco	42672	3918955	Volvo/GMC/White Truck	1643*	
390-9065	W/EATON42D	Stemco	43860	391-0004	Stemco	42672	391-0004	Stemco	42673	3918956	Volvo Truck NA	1744**	
390-9066	Stemco	47483	391-0012	Stemco	38776•	391-0012	Stemco	38779	3918956	Volvo/GMC/White Truck	1382+		
390-9070	Stemco	47699	391-0012	Stemco	38779	391-0012	Stemco	38780	3918958	Volvo Truck NA	1798**		
390-9073	Stemco	47692•	391-0012	Stemco	38780	391-0012	Stemco	38782	3918958	Volvo/GMC/White Truck	1798**		
390-9073	Stemco	47691	391-0060	Stemco	47690	391-0060	Stemco	48000	3918959	Volvo Truck NA	1796**		
390-9073	Stemco	47695	391-0060	Stemco	48001	391-0060	Stemco	48002	3918959	Volvo/GMC/White Truck	1796**		
390-9073	Stemco	47696	391-0064	Stemco	45158	391-0064	Stemco	45160	3918960	Volvo Truck NA	1343+		
390-9073	Stemco	47697	391-0064	Stemco	45160	391-0070	Stemco	47699	3918960	Volvo/GMC/White Truck	1343+		
390-9073	(FOR1)	Stemco	43875	391-0070	Stemco	47692•	391-0073	Stemco	47691	3918962	Volvo Truck NA	1733**	
390-9073	(FOR2)	Stemco	47697	391-0073	Stemco	47691	391-0073	Stemco	47695	3918962	Volvo/GMC/White Truck	1733**	
390-9073	EXCEATON	Stemco	47697	391-0073	Stemco	47695	391-0073	Stemco	47696	3918963	Volvo Truck NA	1770**	
390-9073	EXCSOME EATON	Stemco	47697	391-0073	Stemco	47696	391-0073	Stemco	47697	3918963	Volvo/GMC/White Truck	1770**	
390-9073	W/EATON19SER	Stemco	45152	391-0073	Stemco	47697	391-0073	Stemco	47698	3918964	Volvo Truck NA	1742**	
390-9074	Stemco	46305	391-0073	Stemco	47695	391-0073	Stemco	47696	3918964	Volvo/GMC/White Truck	1742**		
390-9081	Stemco	48000	391-0073	Stemco	47696	391-0073	Stemco	47697	3918966	Volvo Truck NA	45095		
390-9087	Stemco	47699	391-0073	Stemco	47697	391-0073	Stemco	47698	3918966	Volvo Truck NA	45102		
390-9088	Stemco	45160	391-0073	Stemco	47698	391-0073	Stemco	47698	3918966	Volvo/GMC/White Truck	45095		
390-9089	Stemco	52658	391-0073	W/3646402	Stemco	43875	391-0073	W/3646435	Stemco	45152	3918966	Volvo/GMC/White Truck	45102
390-9089	(SEECATALOG)	Stemco	52658	3918497	Volvo Truck NA	450755	3918498	Volvo Truck NA	450434	3918967	Volvo Truck NA	44916	
390-9089	(SEECA TL)	Stemco	52660	3918498	Volvo Truck NA	450434	3918498	Volvo/GMC/White Truck	450434	3918967	Volvo Truck NA	44919	
390-9090	Stemco	42672	3918498	Volvo/GMC/White Truck	450434	3918837	Volvo Truck NA	40136	3918967	Volvo/GMC/White Truck	44916		
390-9092	Stemco	43865	3918837	Volvo Truck NA	40136	3918837	Volvo/GMC/White Truck	40136	3918967	Volvo/GMC/White Truck	44919		
390-9094	Stemco	45010	3918838	Volvo/GMC/White Truck	45103	3918838	Volvo Truck NA	45103	3918968	Volvo Truck NA	45158		
390-9094	Stemco	45099	3918838	Volvo Truck NA	45103	3918838	Volvo/GMC/White Truck	45103	3918968	Volvo/GMC/White Truck	45158		
390-9095	Stemco	42800	3918839	Volvo/GMC/White Truck	45099	3918839	Volvo Truck NA	45099	3918969	Volvo Truck NA	43865		
390-9096	Stemco	43860	3918839	Volvo/GMC/White Truck	45099	3918841	Volvo/GMC/White Truck	34387	3918969	Volvo/GMC/White Truck	43865		
390-9096	EXCEATON42D	Stemco	43860	3918841	Volvo Truck NA	34387	3918841	Volvo Truck NA	34387	3918970	Volvo/GMC/White Truck	43865	
390-9096	W/EATON42D	Stemco	43860	3918841	Volvo/GMC/White Truck	34387	3918841	Volvo/GMC/White Truck	34387	3918970	Volvo Truck NA	48001	
390-9097	Stemco	47690	3918842	Volvo Truck NA	42672	3918842	Volvo Truck NA	42672	3918970	Volvo Truck NA	48002		
390-9097	Stemco	48000	3918842	Volvo/GMC/White Truck	42672	3918842	Volvo/GMC/White Truck	42672	3918971	Volvo/GMC/White Truck	48002		
390-9097	Stemco	48001	3918842	Volvo Truck NA	42672	3918843	Volvo/GMC/White Truck	40086	3918971	Volvo Truck NA	45093		
390-9097	Stemco	48002	3918843	Volvo/GMC/White Truck	42672	3918843	Volvo Truck NA	40086	3918971	Volvo/GMC/White Truck	45097		
390-9098	Stemco	47692•	3918843	Volvo Truck NA	40086	3918844	Volvo/GMC/White Truck	38750	3918972	Volvo Truck NA	42673		
390-9098	Stemco	47693	3918844	Volvo/GMC/White Truck	38750	3918844	Volvo Truck NA	38750	3918972	Volvo/GMC/White Truck	42671		
390-9098	Stemco	47694	3918844	Volvo Truck NA	38750	3918845	Volvo/GMC/White Truck	39420	3918972	Volvo/GMC/White Truck	42673		
390-9098	Stemco	47697	3918845	Volvo/GMC/White Truck	39420	3918845	Volvo Truck NA	39420	3918973	Volvo/GMC/White Truck	40129•		
390-9098	(FOR1)	Stemco	43875	3918845	Volvo Truck NA	39420	3918846	Volvo/GMC/White Truck	44922	3918973	Volvo/GMC/White Truck	40133	
390-9098	(FOR2)	Stemco	47697	3918846	Volvo/GMC/White Truck	44922	3918846	Volvo Truck NA	44922	3918974	Volvo/GMC/White Truck	42627•	
390-9098	EXCSOME EATON	Stemco	47697	3918846	Volvo Truck NA	44922	3918846	Volvo/GMC/White Truck	44922	3918974	Volvo/GMC/White Truck	42622	
390-9098	W/EATON19SER	Stemco	45152	3918847	Volvo/GMC/White Truck	27438	3918847	Volvo Truck NA	27438	3919030	Volvo Truck NA	42625	
390-9099	Stemco	45152	3918847	Volvo/GMC/White Truck	27438	3918847	Volvo/GMC/White Truck	27438	3919030	Volvo/GMC/White Truck	42625		
390-9099	Stemco	38747	3918847	Volvo Truck NA	27438	3918848	Volvo/GMC/White Truck	48690	391-9066	Stemco	47483		
390-9099	Stemco	38780	3918848	Volvo Truck NA	48690	3918848	Volvo Truck NA	48690	391CHR	PACCAR PARTS	391		
390-9099	EXCGMC&IHC	Stemco	38780	3918849	Volvo/GMC/White Truck	48690	3918849	Volvo/GMC/White Truck	48690	392-9001	Stemco	48884	
390-9099	EXCGMC&IHC	Stemco	38780	3918849	Volvo Truck NA	28758	3918849	Volvo Truck NA	28758	392-9003	Stemco	45093	
										392-9003	Stemco	45097	

For in-text symbols, see page 5A.

Competitor & manufacturer interchange

Mfr no.	Mfr.	Part no.	Mfr no.	Mfr.	Part no.	Mfr no.	Mfr.	Part no.
392-9007	Stemco	50124	392-9111	Stemco	34994	39424CHR	PACCAR PARTS	44916
392-9010	Stemco	38709	392-9111	Stemco	35000	39425	PACCAR PARTS	39425
392-9012	Stemco	38780	392-9111	Stemco	47245	39426CHR	PACCAR PARTS	39426
392-9018	Stemco	39380	392-9112	Stemco	42672	3945968	Volvo Truck NA	1790**
392-9018	Stemco	39420	392-9130	Stemco	42671	3945968	Volvo/GMC/White Truck	1790**
392-9019	Stemco	48792	392-9130	Stemco	42672	3945971	Volvo Truck NA	35072
392-9021	Stemco	48297	392-9130	Stemco	42673	394735C91	Navistar (IHC)	1787**
392-9032	Stemco	40136	392-9131	Stemco	47692•	3947700	Volvo Truck NA	43754
392-9032	Stemco	40139	392-9131	Stemco	43875	3947700	Volvo/GMC/White Truck	43753
392-9033	Stemco	44963	392-9131	Stemco	47697	3947700	Volvo/GMC/White Truck	43754
392-9033	Stemco	44964	392-9132	Stemco	47690	3948886	General Motor Corp.	31175
392-9033	Stemco	45010	392-9132	Stemco	48001	3948887	General Motor Corp.	1764**
392-9034	Stemco	48690	392CHR	PACCAR PARTS	392	394894C91	Navistar (IHC)	35066
392-9035	Stemco	34384•	393000SERIES	Mechanix/Barrier	38709	394895C91	Navistar (IHC)	1765**
392-9035	Stemco	34386	393-0103	Stemco	45093	396526C91	Navistar (IHC)	43860
392-9035	Stemco	34387	393-0103	Stemco	45097	3975154	Volvo/GMC/White Truck	1343+
392-9036	Stemco	34994	393-0103	Stemco	45099	397-9703	Stemco	45099
392-9036	Stemco	34999	393-0104	Stemco	42671	397-9704	Stemco	42672
392-9036	Stemco	35000	393-0104	Stemco	42672	397-9712	Stemco	38776•
392-9038	Stemco	31307	393-0104	Stemco	42673	397-9712	Stemco	38780
392-9038	Stemco	31323	393-0112	Stemco	38776•	3979715	Stemco	38776•
392-9045	Stemco	42550	393-0112	Stemco	38747	397-9735	Stemco	34387
392-9046	Stemco	48297	393-0112	Stemco	38779	397-9748	Stemco	52658
392-9048	Stemco	52658	393-0112	Stemco	38780	397-9757	Stemco	39420
392-9054	Stemco	48690	393-0112	Stemco	38783	397-9757	Stemco	39425
392-9057	Stemco	39420	3930115	Stemco	38746	397-9760	Stemco	48000
392-9057	Stemco	39425	3930115	Stemco	38750	397-9761	Stemco	42800
392-9062	Stemco	48884	393-0134	Stemco	48690	397-9764	Stemco	45160
392-9066	Stemco	47483	393-0148	Stemco	52658	397-9765	Stemco	43860
392-9081	Stemco	48000	393-0148	Stemco	52660	397-9770	Stemco	47699
392-9081	Stemco	48001	393-0148	Stemco	52664	397-9773	Stemco	47692•
392-9081	Stemco	48002	393-0173	Stemco	47692•	397-9773	Stemco	47691
392-9087	Stemco	47699	393-0173	Stemco	47691	397-9773	Stemco	47697
392-9088	Stemco	45152	393-0173	Stemco	47693	397-9773(FOR1)	Stemco	43875
392-9088	Stemco	45158	393-0173	Stemco	47695	397-9773(FOR2)	Stemco	47697
392-9088	Stemco	45160	393-0173	Stemco	47697	397-9773EXCSOME EATON		
392-9089	Stemco	52658	393-0203	Stemco	45093	Stemco		47697
392-9089	Stemco	52664	393-0203	Stemco	45097	397-9773W/EATON19SER		
392-9090	Stemco	42671	393-0203	Stemco	45099	Stemco		45152
392-9090	Stemco	42672	393-0204	Stemco	42671	397-9773W/EATON42D	Stemco	43860
392-9090	Stemco	42673	393-0204	Stemco	42672	398768	General Motor Corp.	43752
392-9092	Stemco	43860	393-0204	Stemco	42673	398770	General Motor Corp.	1743**
392-9092	Stemco	43861	393-0212	Stemco	38776•	39977	PACCAR PARTS	39977
392-9092	Stemco	43865	393-0212	Stemco	38747	39979	PACCAR PARTS	39979
392-9094	Stemco	45093	393-0212	Stemco	38780	39988	Freightliner	39988
392-9094	Stemco	45097	393-0273	Stemco	47692•	39988	PACCAR PARTS	39988
392-9094	Stemco	45099	393-0273	Stemco	43875	39990CHR	PACCAR PARTS	39990
392-9095	Stemco	42800	393-0273	Stemco	45152	3HA1190B2A	Ford	43764
392-9096	Stemco	43860	393-0273	Stemco	47691	4002	Stemco	1627*
392-9096	Stemco	43861	393-0273	Stemco	47693	4002	Stemco	1727**
392-9097	Stemco	47690	393-0273	Stemco	47695	4003	Stemco	1709
392-9097	Stemco	48000	393-0273	Stemco	47697	40040CHR	PACCAR PARTS	40040
392-9097	Stemco	48001	393-0373	Stemco	47692•	4005	Stemco	1789**
392-9097	Stemco	48002	393-0373	Stemco	47691	4007	Stemco	1732
392-9098	Stemco	47692•	393-0373	Stemco	47697	400855C91	Navistar (IHC)	48794
392-9098	Stemco	47691	393300	Mechanix/Barrier	38709	40086	Freightliner	40086
392-9098	Stemco	47695	393400	Mechanix/Barrier	38709	40086	PACCAR PARTS	40086
392-9098	Stemco	47697	3936753	Volvo/GMC/White Truck	1611	40088	PACCAR PARTS	40088
392-9098	Stemco	47698	393698C91	Navistar (IHC)	1798**	4008A62	Fruehauf	1743**
392-9099	Stemco	38776•	39380	Freightliner	39380	4009	Stemco	1643*
392-9099	Stemco	38747	39380	PACCAR PARTS	39380	4009	Stemco	1743**
392-9099	Stemco	38750	393SERIES	Mechanix/Barrier	38709	40090CHR	PACCAR PARTS	40139
392-9099	Stemco	38779	3941953	Volvo/GMC/White Truck	47697	40091	PACCAR PARTS	40091
392-9099	Stemco	38780	3941954	Volvo Truck NA	35066	4010	Stemco	1730
392-9099W/GMC	Stemco	38750	39420	PACCAR PARTS	39420	4011	Stemco	1738**
392-9099W/IHC	Stemco	38747	394233	White Truck	50124	4012	Stemco	1736**

For in-text symbols, see page 5A.

Competitor & manufacturer interchange

Mfr no.	Mfr.	Part no.	Mfr no.	Mfr.	Part no.	Mfr no.	Mfr.	Part no.
401202	._Mechanix/Barrier	35066	401607	._Mechanix/Barrier	1643*	401658	._Mechanix/Barrier	1576
401216	._Mechanix/Barrier	39988	401607	._Mechanix/Barrier	1743**	401662	._Mechanix/Barrier	1737**
401253	._Mechanix/Barrier	455031	401608	._Mechanix/Barrier	1642*	401663	._Mechanix/Barrier	1643*
40129	._PACCAR PARTS	40129*	401608	._Mechanix/Barrier	1742**	401663	._Mechanix/Barrier	1743**
4013	._Stemco	1642*	401609	._Mechanix/Barrier	1642*	401664	._Mechanix/Barrier	1733**
4013	._Stemco	1742**	401609	._Mechanix/Barrier	1742**	401685	._Mechanix/Barrier	1733**
40133	._Freightliner	40129*	401610	._Mechanix/Barrier	1729	401688	._Mechanix/Barrier	1733**
40133	._Freightliner	40133	401611	._Mechanix/Barrier	1732	401689	._Mechanix/Barrier	1732
40133	CHR_PACCAR PARTS	40133	401612	._Mechanix/Barrier	1643*	401690	._Mechanix/Barrier	1733**
40136	._PACCAR PARTS	40136	401612	._Mechanix/Barrier	1743**	401691	._Mechanix/Barrier	1733**
40139	._PACCAR PARTS	40139	401613	._Mechanix/Barrier	1643*	401823	._Mechanix/Barrier	1643*
4014	._Stemco	1730	401613	._Mechanix/Barrier	1743**	401823	._Mechanix/Barrier	1743**
40146	CHR_PACCAR PARTS	40146	401614	._Mechanix/Barrier	1730	401824	._Mechanix/Barrier	1603
401488P	._Mechanix/Barrier	1283^	401615	._Mechanix/Barrier	1643*	401829	._Mechanix/Barrier	1781**
4015	._Stemco	1737**	401615	._Mechanix/Barrier	1743**	401831	._Mechanix/Barrier	1612*
401502	._Mechanix/Barrier	450743	401616	._Mechanix/Barrier	1627*	401831	._Mechanix/Barrier	1711**
401503	._Mechanix/Barrier	450777	401616	._Mechanix/Barrier	1727**	401832	._Mechanix/Barrier	1733**
401504	._Mechanix/Barrier	450755	401618	._Mechanix/Barrier	1768**	401838	._Mechanix/Barrier	1733**
401506	._Mechanix/Barrier	450740	401619	._Mechanix/Barrier	1721	401870	._Mechanix/Barrier	1733**
401507	._Mechanix/Barrier	450748	401620	._Mechanix/Barrier	1623*	401874	._Mechanix/Barrier	1665*
401508	._Mechanix/Barrier	450749	401620	._Mechanix/Barrier	1723**	401874	._Mechanix/Barrier	1765**
401509	._Mechanix/Barrier	450740	401621	._Mechanix/Barrier	1623*	401875	._Mechanix/Barrier	1623*
401510	._Mechanix/Barrier	450765	401621	._Mechanix/Barrier	1723**	401875	._Mechanix/Barrier	1723**
401511	._Mechanix/Barrier	450752	401622	._Mechanix/Barrier	1665*	401876	._Mechanix/Barrier	1771**
401512	._Mechanix/Barrier	450740	401622	._Mechanix/Barrier	1765**	401877	._Mechanix/Barrier	1698*
401512	._Mechanix/Barrier	450754	401623	._Mechanix/Barrier	1665*	401877	._Mechanix/Barrier	1798**
401513	._Mechanix/Barrier	450740	401623	._Mechanix/Barrier	1765**	401883	._Mechanix/Barrier	1698*
401514	._Mechanix/Barrier	450768	401624	._Mechanix/Barrier	1771**	401883	._Mechanix/Barrier	1798**
401515	._Mechanix/Barrier	450771	401625	._Mechanix/Barrier	1781**	401884	._Mechanix/Barrier	1733**
401516	._Mechanix/Barrier	450741	401626	._Mechanix/Barrier	1713	401885	._Mechanix/Barrier	1733**
401518	._Mechanix/Barrier	450769	401627	._Mechanix/Barrier	1715**	401886	._Mechanix/Barrier	1733**
401519	._Mechanix/Barrier	450742	401628	._Mechanix/Barrier	1715**	401889	._Mechanix/Barrier	1698*
401520	._Mechanix/Barrier	450740	401629	._Mechanix/Barrier	1781**	401889	._Mechanix/Barrier	1798**
401521	._Mechanix/Barrier	450740	401630	._Mechanix/Barrier	1612*	401890	._Mechanix/Barrier	1613*
401523	._Mechanix/Barrier	450747	401630	._Mechanix/Barrier	1711**	401890	._Mechanix/Barrier	1703**
401524	._Mechanix/Barrier	450780	401631	._Mechanix/Barrier	1612*	4019	._Stemco	1627*
401524	._Mechanix/Barrier	450781	401631	._Mechanix/Barrier	1711**	4019	._Stemco	1727**
401526	._Mechanix/Barrier	450293	401632	._Mechanix/Barrier	1612*	401911	._Mechanix/Barrier	1283^
401526W/5HOLES	._Mechanix/Barrier	450775	401632	._Mechanix/Barrier	1711**	40192	._REO	28820
401526W/6HOLES	._Mechanix/Barrier	450293	401633	._Mechanix/Barrier	1612*	4021	._Stemco	1737**
401528	._Mechanix/Barrier	450293	401633	._Mechanix/Barrier	1711**	4023	._Stemco	1576
401528	._Mechanix/Barrier	450751	401634	._Mechanix/Barrier	1709	4024	._Stemco	1612*
401575	._Mechanix/Barrier	450875	401636	._Mechanix/Barrier	1698*	4024	._Stemco	1711**
401576	._Mechanix/Barrier	450876	401636	._Mechanix/Barrier	1798**	4025	._Stemco	1769**
401577	._Mechanix/Barrier	450877	401637	._Mechanix/Barrier	1698*	4026	._Stemco	1575
401578	._Mechanix/Barrier	450878	401637	._Mechanix/Barrier	1798**	4027	._Stemco	1535
401579	._Mechanix/Barrier	450879	401638	._Mechanix/Barrier	1698*	4028	._Stemco	1715**
401580	._Mechanix/Barrier	450980	401638	._Mechanix/Barrier	1798**	4029	._Stemco	1781**
401581	._Mechanix/Barrier	450981	401640	._Mechanix/Barrier	1670*	4030	._Stemco	1578
401582	._Mechanix/Barrier	450982	401640	._Mechanix/Barrier	1770**	4031	._Stemco	1768**
401583	._Mechanix/Barrier	450983	401641	._Mechanix/Barrier	1670*	4033	._Stemco	1577
401584	._Mechanix/Barrier	450984	401641	._Mechanix/Barrier	1770**	4034	._Stemco	1670*
4016	._Stemco	1595	401643	._Mechanix/Barrier	1789**	4034	._Stemco	1770**
401601	._Mechanix/Barrier	1643*	401644	._Mechanix/Barrier	1702**	4036	._Stemco	1702**
401601	._Mechanix/Barrier	1743**	401645	._Mechanix/Barrier	1702**	4037	._Stemco	1764**
401602	._Mechanix/Barrier	1643*	401646	._Mechanix/Barrier	1769**	40379	._Eaton Corp	39380
401602	._Mechanix/Barrier	1743**	401647	._Mechanix/Barrier	1702**	4039	._Stemco	1782
401603	._Mechanix/Barrier	1643*	401649	._Mechanix/Barrier	1738**	4040	._Stemco	1707
401603	._Mechanix/Barrier	1743**	401650	._Mechanix/Barrier	1736**	4041	._Stemco	1623*
401604	._Mechanix/Barrier	1734	401651	._Mechanix/Barrier	1737**	4041	._Stemco	1723**
401605	._Mechanix/Barrier	1643*	401652	._Mechanix/Barrier	1757	4042	._Stemco	1665*
401605	._Mechanix/Barrier	1743**	401653	._Mechanix/Barrier	1737**	4042	._Stemco	1765**
401606	._Mechanix/Barrier	1643*	401654	._Mechanix/Barrier	1745	4043	._Stemco	1745
401606	._Mechanix/Barrier	1743**	401655	._Mechanix/Barrier	1282^	4044	._Stemco	1713
			401656	._Mechanix/Barrier	1575	4046	._Stemco	1643*
			401657	._Mechanix/Barrier	1535	4046	._Stemco	1743**

For in-text symbols, see page 5A.

Competitor & manufacturer interchange

Mfr no.	Mfr.	Part no.	Mfr no.	Mfr.	Part no.	Mfr no.	Mfr.	Part no.
4049	Stemco	1704**	411635	Mechanix/Barrier	1608	427CHR	PACCAR PARTS	427
4050	Stemco	1665*	411640	Mechanix/Barrier	1670*	42800CHR	PACCAR PARTS	42800
4050	Stemco	1765**	411640	Mechanix/Barrier	1770**	428119C91	Navistar (IHC)	38780
405010129	Fruehauf	42627*	411644	Mechanix/Barrier	1702**	4283347	Bluebird Body Inc.	38776*
405010129	Fruehauf	42622	411644	Mechanix/Barrier	1787**	4283347	Bluebird Body Inc.	38779
4051	Stemco	1721	411646	Mechanix/Barrier	1769**	428CHR	PACCAR PARTS	428
4052	Stemco	1603	411650	Mechanix/Barrier	1736**	429CHR	PACCAR PARTS	429
4057	Stemco	1754**	411655	Mechanix/Barrier	1282^	43013	UOS	31175
4058	Stemco	1705**	411688	Mechanix/Barrier	1733**	431612R91	Navistar (IHC)	48297
4059	Stemco	1741**	411845	Mechanix/Barrier	1613*	431615R91	Navistar (IHC)	45160
4063	Stemco	1606	411845	Mechanix/Barrier	1703**	431616R92	Navistar (IHC)	45160
4064	Stemco	1719	411845	Mechanix/Barrier	1603	431619R91	Navistar (IHC)	40136
4066	Stemco	1623*	411872	Mechanix/Barrier	1282^	431620R92	Navistar (IHC)	1743**
4066	Stemco	1723**	411883	Mechanix/Barrier	1698*	431622R1	Navistar (IHC)	40136
4068	Stemco	1698*	411883	Mechanix/Barrier	1798**	43167	TROSTEL	50124
4068	Stemco	1798**	411897	Mechanix/Barrier	1600	433759	White Truck	48884
4070	Stemco	1724	411967	Mechanix/Barrier	1788**	43448	Bluebird Body Inc.	47697
4072	Stemco	1670*	411972	Mechanix/Barrier	1698*	434877R91	Navistar (IHC)	48884
4072	Stemco	1770**	411972	Mechanix/Barrier	1798**	434878R91	Navistar (IHC)	48884
4075	Stemco	1282^	411980	Mechanix/Barrier	1799**	435	Freightliner	435
4076	Stemco	1698*	413618	White Truck	39988	43563	VICTOR	31264
4076	Stemco	1798**	413619	White Truck	45160	435CHR	PACCAR PARTS	435
4080	Stemco	1698*	414466C92	Navistar (IHC)	43752	436449R91	Navistar (IHC)	38780
4080	Stemco	1798**	416895C1	Navistar (IHC)	44922	436CHR	PACCAR PARTS	436
4081	Stemco	1752**	416895C1	Navistar (IHC)	45103	43752	Freightliner	43752
4082	Stemco	1720**	416895C91	Navistar (IHC)	45160	43752	PACCAR PARTS	43752
4091	Stemco	1612*	4170	Stemco	1707	43752S	PACCAR PARTS	43752
4091	Stemco	1711**	41AX207	Mack	43800	43753	Freightliner	43753
4091145	White Truck	43860	41SR28	Kenworth	1769**	43753	PACCAR PARTS	43753
409145	Mechanix/Barrier	43860	41SR28	Mack	1769**	43754	PACCAR PARTS	43754
409145	White Truck	43860	41SR29	Kenworth	1575	43761	Dana-Spicer Corp. (Churabusco)	43761*
4092	Stemco	1787**	41SR29	Mack	1575	43761	Kenworth	43761*
4093	Stemco	1788**	41SR31	Kenworth	1704**	43761	Peterbilt	43761*
4094	Stemco	1643*	41SR31	Mack	1704**	43761	Volvo	43761*
4094	Stemco	1743**	41SR32	Kenworth	1743**	43761CHR	PACCAR PARTS	43761*
4095	Stemco	1643*	41SR32	Mack	1743**	43763	Freightliner	43761*
4095	Stemco	1743**	42002	Eaton Corp	39420	43763	Freightliner	43763
4096	Stemco	1784	42099	TROSTEL	31307	43763	Freightliner	43763
4098	Stemco	1691*	42099	TROSTEL	31323	43763	PACCAR PARTS	43763
4098	Stemco	1790**	421268	White Truck	42800	43764	Freightliner	43764
4101	Stemco	1785	42154	TROSTEL	40136	43764CHR	PACCAR PARTS	43764
4102	Stemco	1786	421612R92	Navistar (IHC)	48297	43794	VICTOR	35075
4103	Stemco	1643*	42220	TROSTEL	39380	43800	PACCAR PARTS	43800
4103	Stemco	1743**	42320	TROSTEL	28820	438454R92	Navistar (IHC)	35066
410577	Mechanix/Barrier	450877	42342	TROSTEL	48884	43860	PACCAR PARTS	43860
411601	Mechanix/Barrier	1643*	42550	PACCAR PARTS	42550	43861	PACCAR PARTS	43861
411601	Mechanix/Barrier	1743**	42622	Freightliner	42627*	43865	PACCAR PARTS	43865
411604	Mechanix/Barrier	1643*	42622	Freightliner	42622	43875	PACCAR PARTS	43875
411605	Mechanix/Barrier	1691*	42622	PACCAR PARTS	42622	43938	VICTOR	46390
411605	Mechanix/Barrier	1790**	42623	Fruehauf	42623	441260C91	Navistar (IHC)	28758
411608	Mechanix/Barrier	1642*	42623	PACCAR PARTS	42623	441260C91	Navistar (IHC)	28759
411608	Mechanix/Barrier	1742**	42624	PACCAR PARTS	42624	441CHR	PACCAR PARTS	441
411610	Mechanix/Barrier	1729	42625	PACCAR PARTS	42625	4427553	Navistar (IHC)	1723**
411616	Mechanix/Barrier	1627*	42627	Freightliner	42627*	443-289PS	White Truck	40139
411616	Mechanix/Barrier	1727**	42627	PACCAR PARTS	42627*	44571C91	Navistar (IHC)	38747
411618B	Mechanix/Barrier	1283^	42630	PACCAR PARTS	42630	445CHR	PACCAR PARTS	445
411620	Mechanix/Barrier	1623*	42631CHR	PACCAR PARTS	42631	446070N	FM SEAL & BRG	42672
411620	Mechanix/Barrier	1723**	42671	Freightliner	42671	446070N	TIMKEN SEALS	42672
411622	Mechanix/Barrier	1665**	42671	Freightliner	42673	446CHR	PACCAR PARTS	446
411622	Mechanix/Barrier	1765**	42671	PACCAR PARTS	42671	447291A	White Truck	47697
411625	Mechanix/Barrier	1781**	42672	PACCAR PARTS	42672	447292	White Truck	47699
411627	Mechanix/Barrier	1715**	42673	PACCAR PARTS	42673	447550C91	Navistar (IHC)	35075
411629	Mechanix/Barrier	1781**	426834C1	Navistar (IHC)	1708	447551C91	Navistar (IHC)	40136
411630	Mechanix/Barrier	1612*	427424R92	Navistar (IHC)	35066	447556C92	Navistar (IHC)	44922
411630	Mechanix/Barrier	1711**	427552R91	Navistar (IHC)	35066	447557C91	Navistar (IHC)	27438
411630	Mechanix/Barrier	1611	427553R91	Navistar (IHC)	1723**	447558C91	Navistar (IHC)	28820

For in-text symbols, see page 5A.

Competitor & manufacturer interchange

Mfr no.	Mfr.	Part no.	Mfr no.	Mfr.	Part no.	Mfr no.	Mfr.	Part no.
447559C91	_Navistar (IHC)	48794	450755	_PACCAR PARTS	450755	453157	_White Truck	450981
447560C91	_Navistar (IHC)	39380	450757	_PACCAR PARTS	450757	45331	_TROSTEL	48884
447561C91	_Navistar (IHC)	35066	450758CHR	_PACCAR PARTS	450758	453646CHR	_PACCAR PARTS	453646
447563C91	_Navistar (IHC)	48884	450759CHR	_PACCAR PARTS	450759	453674CHR	_PACCAR PARTS	453674
447563C92	_Navistar (IHC)	48884	450760CHR	_PACCAR PARTS	450760	453770	_PACCAR PARTS	453770
447564C91	_Navistar (IHC)	45160	450762CHR	_PACCAR PARTS	450762	453795	_Freightliner	453795
447565C91	_Navistar (IHC)	38709	450765	_Freightliner	450765	453795	_PACCAR PARTS	453795
447566C91	_Navistar (IHC)	38780	450765CHR	_PACCAR PARTS	450765	453807	_PACCAR PARTS	453807
447567C91	_Navistar (IHC)	42800	450767CHR	_PACCAR PARTS	450767	453811	_PACCAR PARTS	453811
447568C91	_Navistar (IHC)	48297	450768	_Freightliner	450768	453813	_Freightliner	453813
447569C91	_Navistar (IHC)	43860	450768	_PACCAR PARTS	450768	453813	_PACCAR PARTS	453813
447574C91	_Navistar (IHC)	47697	450769CHR	_PACCAR PARTS	450769	453818	_PACCAR PARTS	453818
448644C91	_Navistar (IHC)	45103	450771CHR	_PACCAR PARTS	450771	453825CHR	_PACCAR PARTS	453825
448CHR	_PACCAR PARTS	448	450772CHR	_PACCAR PARTS	450772	453868	_Freightliner	453868
44916CHR	_PACCAR PARTS	44916	450775	_PACCAR PARTS	450775	453868CHR	_PACCAR PARTS	453868
44919CHR	_PACCAR PARTS	44919	450777	_PACCAR PARTS	450777	453869	_Freightliner	453869
44922CHR	_PACCAR PARTS	44922	450778CHR	_PACCAR PARTS	450778	453869	_PACCAR PARTS	453869
44963CHR	_PACCAR PARTS	44963	450781	_PACCAR PARTS	450781	453879	_PACCAR PARTS	453879
44964	_PACCAR PARTS	44964	450782	_PACCAR PARTS	450782	453906CHR	_PACCAR PARTS	453906
449CHR	_PACCAR PARTS	449	450788	_PACCAR PARTS	450788	453909CHR	_PACCAR PARTS	453909
450023CHR	_PACCAR PARTS	450023	450799	_Freightliner	450799	453912CHR	_PACCAR PARTS	453912
450024CHR	_PACCAR PARTS	450024	450799	_PACCAR PARTS	450799	453915CHR	_PACCAR PARTS	453915
45010	_PACCAR PARTS	45010	450802CHR	_PACCAR PARTS	450802	453918CHR	_PACCAR PARTS	453918
450155	_PACCAR PARTS	450155	450874CHR	_PACCAR PARTS	450874	45392	_TROSTEL	39380
4501579	_Mechanix/Barrier	450879	450875CHR	_PACCAR PARTS	450875	453926CHR	_PACCAR PARTS	453926
450158CHR	_PACCAR PARTS	450158	450876	_PACCAR PARTS	450876	45393	_TROSTEL	40086
450166CHR	_PACCAR PARTS	450166	450877CHR	_PACCAR PARTS	450877	453942	_PACCAR PARTS	453942
450176CHR	_PACCAR PARTS	450176	450878CHR	_PACCAR PARTS	450878	453963CHR	_PACCAR PARTS	453963
450189CHR	_PACCAR PARTS	450189	450879CHR	_PACCAR PARTS	450879	453CHR	_PACCAR PARTS	453
450194CHR	_PACCAR PARTS	450194	45093	_TROSTEL	48690	45401	_TROSTEL	38709
450208	_PACCAR PARTS	450208	45093CHR	_PACCAR PARTS	45093	454051	_PACCAR PARTS	454051
450236CHR	_PACCAR PARTS	450236	45095	_PACCAR PARTS	45095	45408	_TROSTEL	39380
450237	_Freightliner	450237	45097	_Freightliner	45097	45412	_TROSTEL	38780
450237	_Navistar (IHC)	450237	45097	_Freightliner	45097	45449	_TROSTEL	34387
450237	_PACCAR PARTS	450237	45097	_PACCAR PARTS	45097	45461	_VICTOR	450434
450237	_Rockwell Standard	450237	450980CHR	_PACCAR PARTS	450980	45466	_TROSTEL	43860
450249CHR	_PACCAR PARTS	450249	450981CHR	_PACCAR PARTS	450981	455001CHR	_PACCAR PARTS	455001
45025	_TROSTEL	35060	450982CHR	_PACCAR PARTS	450982	455002CHR	_PACCAR PARTS	455002
450293	_PACCAR PARTS	450293	450983CHR	_PACCAR PARTS	450983	455003CHR	_PACCAR PARTS	455003
450319CHR	_PACCAR PARTS	450319	450984CHR	_PACCAR PARTS	450984	455004CHR	_PACCAR PARTS	455004
45036	_TROSTEL	36285	450985CHR	_PACCAR PARTS	450985	455005CHR	_PACCAR PARTS	455005
450409CHR	_PACCAR PARTS	450409	45099	_Freightliner	45099	455006CHR	_PACCAR PARTS	455006
450431CHR	_PACCAR PARTS	450431	45099	_PACCAR PARTS	45099	455007CHR	_PACCAR PARTS	455007
450434	_Freightliner	450434	450995	_PACCAR PARTS	45099	455008CHR	_PACCAR PARTS	455008
450434	_PACCAR PARTS	450434	45100CHR	_PACCAR PARTS	45100	455009CHR	_PACCAR PARTS	455009
450434-5	_Motor Coach	450434	45102CHR	_PACCAR PARTS	45102	455010CHR	_PACCAR PARTS	455010
450447	_Motor Coach	450447	45103	_Freightliner	45103	455012CHR	_PACCAR PARTS	455012
450447CHR	_PACCAR PARTS	450447	45103	_PACCAR PARTS	45103	455013CHR	_PACCAR PARTS	455013
450475	_Motor Coach	450475	45104	_TROSTEL	52660	455014CHR	_PACCAR PARTS	455014
450566CHR	_PACCAR PARTS	450566	45108CHR	_PACCAR PARTS	45108	455015CHR	_PACCAR PARTS	455015
450608CHR	_PACCAR PARTS	450608	45135	_TROSTEL	31244	455019CHR	_PACCAR PARTS	455019
450617CHR	_PACCAR PARTS	450617	45152	_Freightliner	45152	455024	_Motor Coach	455024
45065	_TROSTEL	35075	45152CHR	_PACCAR PARTS	45152	455024CHR	_PACCAR PARTS	455024
45067	_TROSTEL	45160	45152S	_PACCAR PARTS	45152	455026CHR	_PACCAR PARTS	455026
45072	_TROSTEL	48792	45157	_PACCAR PARTS	45157	455030CHR	_PACCAR PARTS	455030
450737CHR	_PACCAR PARTS	450737	45158	_PACCAR PARTS	45158	455031CHR	_PACCAR PARTS	455031
450740CHR	_PACCAR PARTS	450740	45160	_Freightliner	45160	455031W/212049CONE		
450741	_PACCAR PARTS	450741	45160	_PACCAR PARTS	45160	FM SEAL & BRG		35060
450742CHR	_PACCAR PARTS	450742	45162CHR	_PACCAR PARTS	45162	455031W/212049CONE		
450743CHR	_PACCAR PARTS	450743	45163CHR	_PACCAR PARTS	45163	TIMKEN SEALS		35060
450744	_PACCAR PARTS	450744	45188	_TROSTEL	39988	455031W/5535CONE		
450747CHR	_PACCAR PARTS	450747	45195	_TROSTEL	44964	FM SEAL & BRG		35060
450748	_PACCAR PARTS	450748	451CHR	_PACCAR PARTS	451	455031W/5535CONE		
450751CHR	_PACCAR PARTS	450751	452CHR	_PACCAR PARTS	452	TIMKEN SEALS		35060
450752	_PACCAR PARTS	450752	453027C1	_Navistar (IHC)	48297	455033CHR	_PACCAR PARTS	455033
450755	_Freightliner	450755	453027C91	_Navistar (IHC)	48297	455034CHR	_PACCAR PARTS	455034

Competitor & manufacturer interchange

Mfr no.	Mfr.	Part no.	Mfr no.	Mfr.	Part no.	Mfr no.	Mfr.	Part no.
455035	CHR_PACCAR PARTS	455035	47059A	Oshkosh Truck Corp.	35066	47869	VICTOR	43860
455036	CHR_PACCAR PARTS	455036	471106	White Truck	36285	47876	VICTOR	48796
455037	CHR_PACCAR PARTS	455037	471268	White Truck	42800	47878	VICTOR	52658
455050	CHR_PACCAR PARTS	455050	471269	White Truck	42800	47879	Dana-Spicer Corp.	
455052	CHR_PACCAR PARTS	455052	47245	CHR_PACCAR PARTS	47245		(Churabusco)	39425
455054	CHR_PACCAR PARTS	455054	472	CHR_PACCAR PARTS	472	47880	Dana-Spicer Corp.	
456070	FM SEAL & BRG	50190	472	CHR_PACCAR PARTS	473		(Churabusco)	34384*
456070	TIMKEN SEALS	50190	47341	VICTOR	31175	47880	Dana-Spicer Corp.	
456144	CHR_PACCAR PARTS	456144	47358	VICTOR	31175		(Churabusco)	34386
456301	PACCAR PARTS	456301	474	TIMKEN SEALS	474	47887	VICTOR	36285
456494	FM SEAL & BRG	44922	47483	PACCAR PARTS	47483	47889	VICTOR	43800
456494	TIMKEN SEALS	44922	47494	Dana-Spicer Corp.		47890	VICTOR	48690
456618S61	FM SEAL & BRG	38780		(Churabusco)	38709	47891	VICTOR	46305
456618S61	TIMKEN SEALS	38780	47494	VICTOR	38709	479061	White Truck	39420
457	Freightliner	457	47495	VICTOR	38780	47983	VICTOR	28758
457172	FM SEAL & BRG	31278	474	CHR_PACCAR PARTS	474	47983	VICTOR	28759
457172	TIMKEN SEALS	31278	475621	White Truck	38780	48000	PACCAR PARTS	48000
45767K	L&S	43860	47634	VICTOR	48884	48001	Freightliner	48001
457	CHR_PACCAR PARTS	457	476375	White Truck	450875	48001	Freightliner	48002
45801K	L&S	47699	476812	White Truck	42800	48001	PACCAR PARTS	48001
46017	Dana-Spicer Corp.		47690	PACCAR PARTS	47690	48002	PACCAR PARTS	48002
	(Churabusco)	28820	47691	Dana-Spicer Corp.		480755	FM SEAL & BRG	1606
46017	VICTOR	28820		(Churabusco)	47691	480755	TIMKEN SEALS	1606
461964	White Truck	48884	47691	Freightliner	47691	48078	VICTOR	35066
461	CHR_PACCAR PARTS	461	47691	Kenworth	47691	48084	VICTOR	38780
462	CHR_PACCAR PARTS	462	47691	Peterbilt	47691	48086	VICTOR	46305
46300	PACCAR PARTS	46300	47691	Volvo	47691	48087	VICTOR	42623
46304	PACCAR PARTS	46304	47691	Volvo Truck NA	47691	48088	VICTOR	40139
46305	PACCAR PARTS	46305	47691	CHR_PACCAR PARTS	47691	48089	VICTOR	47692*
46306	PACCAR PARTS	46306	47692	Freightliner	47692*	48089	VICTOR	47691
46308	Utility Trailer	46308	47692	CHR_PACCAR PARTS	47692*	48089	VICTOR	47695
46308	CHR_PACCAR PARTS	46308	47693	Freightliner	47693	48089	VICTOR	47697
46390	PACCAR PARTS	46390	47693	CHR_PACCAR PARTS	47693	48090	VICTOR	35058*
46396	PACCAR PARTS	46396	47694	CHR_PACCAR PARTS	47694	48090	VICTOR	35059
463	CHR_PACCAR PARTS	463	47694	CHR_PACCAR PARTS	47694	48090	VICTOR	35066
464924C91	Navistar (IHC)	27438	47695	Freightliner	47692*	48091	VICTOR	38776*
46509S	L&S	42800	47695	Freightliner	47691	48091	VICTOR	38779
46549	L&S	45099	47695	Freightliner	47695	48091	VICTOR	38780
46549S	L&S	45099	47695	PACCAR PARTS	47695	48092	VICTOR	42550
465	CHR_PACCAR PARTS	465	47696	PACCAR PARTS	47696	48093	VICTOR	45158
466809	White Truck	39380	47697	Freightliner	47697	48093	VICTOR	45160
46753	VICTOR	34387	47697	Kenworth	47697	48094	VICTOR	43752
46755	VICTOR	38750	47697	PACCAR PARTS	47697	48095	VICTOR	45100
46763	VICTOR	34387	47697	Peterbilt	47697	48096	VICTOR	34387
46769	VICTOR	38780	47697	CHR_PACCAR PARTS	47697	48097	VICTOR	45103
46769M	VICTOR	38780	47698	PACCAR PARTS	47698	48098	VICTOR	42672
46770	VICTOR	45160	47699	PACCAR PARTS	47699	48099	VICTOR	52658
46780	VICTOR	50124	477172	FM SEAL & BRG	31275	481289	FM SEAL & BRG	1606
467836	White Truck	450984	477172	TIMKEN SEALS	31275	481289	TIMKEN SEALS	1606
46800	Dana-Spicer Corp.		47779	VICTOR	48000	48145	VICTOR	43764
	(Churabusco)	43764	47781	VICTOR	48884	48146	VICTOR	38709
46800	VICTOR	43764	47794	VICTOR	47699	48147	VICTOR	44922
46803	VICTOR	32470	47798	VICTOR	32470	48148	VICTOR	47699
46841	VICTOR	42623	47799	Dana-Spicer Corp.		48149	VICTOR	39420
46841ST	VICTOR	43800		(Churabusco)	36285	48267	VICTOR	45099
46842	VICTOR	40136	47799	VICTOR	36285	48278	VICTOR	42671
46847	VICTOR	43752	47800	VICTOR	40040	48278	VICTOR	42672
46848	L&S	47699	47802	VICTOR	43860	48278	VICTOR	42673
46848	VICTOR	42624	47802	VICTOR	43861	48284	VICTOR	38748
46848S	L&S	47699	47803	Dana-Spicer Corp.		48297	PACCAR PARTS	48297
46849	VICTOR	48297		(Churabusco)	48000	48298	CHR_PACCAR PARTS	48298
469461	White Truck	48297	47803	VICTOR	48000	48327	VICTOR	46396
469844C1	Navistar (IHC)	28758	47803	VICTOR	48001	48328	VICTOR	50124
469844C1	Navistar (IHC)	28759	47803	VICTOR	48002	48332	VICTOR	23590
469845C1	Navistar (IHC)	35000	47805	VICTOR	45160	484	CHR_PACCAR PARTS	484
47033	VICTOR	40136	47808	VICTOR	48794	48690	PACCAR PARTS	48690

For in-text symbols, see page 5A.

Competitor & manufacturer interchange

Mfr no.	Mfr.	Part no.	Mfr no.	Mfr.	Part no.	Mfr no.	Mfr.	Part no.
48691	PACCAR PARTS	48691	50124	CHR_PACCAR PARTS	50124	5473W/726	CONE_FM SEAL & BRG	48884
48792	CHR_PACCAR PARTS	48792	50190	CHR_PACCAR PARTS	50190	5473W/726	CONE_TIMKEN SEALS	48884
48794	Freightliner	48794	50565S	TROSTEL	31244	5473W/758	CONE_FM SEAL & BRG	48884
48794	CHR_PACCAR PARTS	48794	505936	White Truck	47699	5473W/758	CONE_TIMKEN SEALS	48884
48796	PACCAR PARTS	48796	506003A	White Truck	35066	5475	TIMKEN SEALS	38780
48879	VICTOR	38780	506141	Eaton Corp	43761•	5481	TIMKEN SEALS	47697
48884	Freightliner	48884	506141	Eaton Corp	43763	5495	TIMKEN SEALS	47699
48884	PACCAR PARTS	48884	5076	TIMKEN SEALS	39380	5500	TIMKEN SEALS	46390
48899	VICTOR	43860	508703	White Truck	35060	5502	TIMKEN SEALS	40136
48905	VICTOR	43860	509154C91	Navistar (IHC)	48796	5503	TIMKEN SEALS	40136
48917	VICTOR	45160	5100	TIMKEN SEALS	31307	55037S60	FM SEAL & BRG	39420
48922	VICTOR	48690	5100	TIMKEN SEALS	31323	55037S60	TIMKEN SEALS	39420
48924	VICTOR	48792	510515	White Truck	47697	5504	TIMKEN SEALS	40136
48927	VICTOR	52660	510589C91	Navistar (IHC)	1785	55058S60	FM SEAL & BRG	45160
49002532	Volvo/GMC/ White Truck	43860	5110	TIMKEN SEALS	44922	55058S60	TIMKEN SEALS	45160
49002532	White Truck	43860	511030C1	Navistar (IHC)	39988	55060S	FM SEAL & BRG	43860
490576C92	Navistar (IHC)	44922	511356	White Truck	43860	55060S	TIMKEN SEALS	43860
490577C92	Navistar (IHC)	45103	512657C1	Navistar (IHC)	46305	55070	TIMKEN SEALS	50124
490578C91	Navistar (IHC)	44922	512936C91	Navistar (IHC)	1743**	55140	TROSTEL	31244
493287	White Truck	45160	516302C1	Navistar (IHC)	38747	55200	TIMKEN SEALS	44964
494408C91	Navistar (IHC)	43764	516778C91	Navistar (IHC)	48884	55285	TIMKEN SEALS	50124
49501	VICTOR	31244	517380C1	Navistar (IHC)	455019	553408	White Truck	43764
49598	VICTOR	31244	518350	General Motor Corp.	44964	55361L60	FM SEAL & BRG	50124
49792	VICTOR	31244	5257169	General Motor Corp.	34387	55361L60	TIMKEN SEALS	50124
49796	VICTOR	31244	52658	CHR_PACCAR PARTS	52658	55361S60	FM SEAL & BRG	50124
49829	VICTOR	50124	52664	PACCAR PARTS	52664	55361S60	TIMKEN SEALS	50124
49836	VICTOR	45160	527501	White Truck	31244	553778	White Truck	43764
49837	VICTOR	43860	527502	White Truck	35060	55377S60	FM SEAL & BRG	48884
49844	VICTOR	36365	527503	White Truck	36285	55377S60	TIMKEN SEALS	48884
49846	VICTOR	40136	530370	Freightliner	46390	554366	Fruehauf	1727**
49872	VICTOR	44964	530480	Freightliner	46390	5553	TIMKEN SEALS	47697
49885	VICTOR	42672	530480	Fruehauf	46390	5554	TIMKEN SEALS	47699
49888	VICTOR	40086	530713C91	Navistar (IHC)	45103	5563	TIMKEN SEALS	39420
49901	VICTOR	45099	531543	White Truck	31244	55822R1	Navistar (IHC)	27438
49909	VICTOR	38709	53220	TROSTEL	31307	55823R1	Navistar (IHC)	27438
49911	VICTOR	35060	53220	TROSTEL	31323	5611TA	Oshkosh Truck Corp.	40136
49912	VICTOR	39380	532664	White Truck	36285	56153R91	Navistar (IHC)	47697
49915	VICTOR	39380	532664B	White Truck	31244	56163R91	Navistar (IHC)	48297
49917	VICTOR	42672	532665	White Truck	36285	563601	White Truck	45160
49920	VICTOR	38780	53320	TROSTEL	43860	563602	White Truck	43860
49937	VICTOR	43860	53706410	Chrysler	47692•	563603	White Truck	42800
49938	VICTOR	39380	53706410	Freightliner	47692•	563604	White Truck	38780
49939	VICTOR	48884	53706510	Chrysler	35058•	563605	White Truck	47697
49941	VICTOR	39380	53706510	Freightliner	35058•	563606	White Truck	47699
49943	VICTOR	36365	53706710	Chrysler	38776•	5649	TIMKEN SEALS	34387
49947	VICTOR	35066	53706710	Freightliner	38776•	56536R91	Navistar (IHC)	48884
49948	VICTOR	42800	53707110	Chrysler	43761•	568987R91	Navistar (IHC)	31264
49949	Dana-Spicer Corp. (Churabusco)	32470	53707110	Freightliner	43761•	570D6	REO	39380
49949	VICTOR	32470	53848010	Bluebird Body Inc.	1743**	571720-C91	Navistar (IHC)	48796
49953	VICTOR	35075	539213	White Truck	31244	57202	TROSTEL	45160
49958	VICTOR	31307	544544	White Truck	40136	5727501	White Truck	31244
49958	VICTOR	31323	544570	White Truck	43860	5731543	American General	450751
49968	VICTOR	45160	544630	White Truck	38780	5731885	American General	446
4BLO412	Autocar	40136	544692	White Truck	40139	574362	Chrysler	32470
4BM0412	Autocar	31307	544693	Volvo Truck NA	45160	57688R91	Navistar (IHC)	38780
4BM0412	Autocar	31323	544693	Volvo/GMC/White Truck	45160	582587C91	Navistar (IHC)	45162
4C4Z1177CB	Ford	42623	544693	White Truck	45160	58394	Eaton Corp	45160
4C4Z1190AA	Ford	28758	544694	White Truck	47697	58926	STRICK	46300
4C4Z1190DA	Ford	28758	544695	White Truck	42800	589822C91	Navistar (IHC)	28758
4C4Z1S175GA	Ford	38780	54533HA	Navistar (IHC)	34387	589822C91	Navistar (IHC)	28759
4C4Z1S175HA	Ford	35000	54534HA	Navistar (IHC)	34387	589823C91	Navistar (IHC)	35000
4PA6	Sterling	31244	5464	TIMKEN SEALS	35075	594962C1	Navistar (IHC)	47697
500200C91	Navistar (IHC)	45103	5465	TIMKEN SEALS	39420	594964C1	Navistar (IHC)	43764
500282	General Motor Corp.	50124	5467	TIMKEN SEALS	43860	594965C1	Navistar (IHC)	28758
			5468	TIMKEN SEALS	48000	594965C1	Navistar (IHC)	28759
			5471	TIMKEN SEALS	48297	594966C1	Navistar (IHC)	44922

For in-text symbols, see page 5A.

Competitor & manufacturer interchange

Mfr no.	Mfr.	Part no.	Mfr no.	Mfr.	Part no.	Mfr no.	Mfr.	Part no.
594967C1	Navistar (IHC)	45103	64414	VICTOR	35066	65054W	TRISEAL	39425
596555C1	Navistar (IHC)	35066	64415	VICTOR	44922	65054W/63018	JRING TRISEAL	39425
596556C1	Navistar (IHC)	48884	64437	VICTOR	48792	65055	TRISEAL	28832
596D2-11	REO	48794	64443	VICTOR	42800	65055W/63008	JRING TRISEAL	28832
596D2-13	REO	48794	64456	VICTOR	35075	65056	TRISEAL	47697
596D2-14	REO	48794	64460	VICTOR	32470	65056U	TRISEAL	47692•
596D2-15	REO	48794	64464	VICTOR	31175	65056U	TRISEAL	47691
596D2-19	REO	28820	64471	VICTOR	31281	65056U	TRISEAL	47695
596D2-2	REO	35066	64482	VICTOR	38747	65056U	TRISEAL	47697
596D2-20	REO	28820	64487	VICTOR	28820	65056W/67090	JRING TRISEAL	47697
596D2-38	REO	48794	64491	VICTOR	36358	65060	TRISEAL	46305
596D2-39	REO	48796	64495	VICTOR	39988	65060U	TRISEAL	46300
596D2-4	REO	35066	64511	VICTOR	36285	65060U	TRISEAL	46304
596D2-40	REO	48796	64517	VICTOR	43764	65060U	TRISEAL	46305
596D2-44	REO	28820	64530	VICTOR	35066	65060W/67048	JRING TRISEAL	46305
596D2-45	REO	48796	64531	Hendrickson	35066	65065	TRISEAL	48000
596D2-50	REO	35066	64534	VICTOR	28832	65065	TRISEAL	48690
596D2-6	REO	35066	64538	VICTOR	34975	65065W	TRISEAL	48000
598462	Chrysler	31244	64539	VICTOR	45103	65065W/67090	JRING TRISEAL	47690
5994989	American General	1743**	64541	VICTOR	31266	65071	TRISEAL	42672
5994990	American General	35066	64541	VICTOR	31281	65071U	TRISEAL	42671
5994991	American General	47697	64542	VICTOR	45099	65071U	TRISEAL	42672
599D6	REO	42800	64546	VICTOR	47699	65071U	TRISEAL	42673
5M103	FM SEAL & BRG	445	64553	VICTOR	43865	65072	TRISEAL	45160
5M103	TIMKEN SEALS	445	64558	VICTOR	34387	65072W/63093	JRING TRISEAL	45160
5M498	FM SEAL & BRG	35075	64561	VICTOR	31307	65073W/63010	JRING TRISEAL	35075
5M498	TIMKEN SEALS	35075	64561	VICTOR	31323	65073W/63036	JRING TRISEAL	35075
5M93	FM SEAL & BRG	46390	64564	VICTOR	31307	65073W/63051	JRING TRISEAL	36365
5M93	TIMKEN SEALS	46390	64564	VICTOR	31323	65073W/63063	JRING TRISEAL	35075
5X265	Rockwell Standard	40136	64566	VICTOR	42550	650773	White Truck	48884
5X418	Rockwell Standard	35075	64567	VICTOR	43860	65078U	TRISEAL	45095
60106	TROSTEL	31175	64569	VICTOR	52658	65078U	TRISEAL	45102
60301S	TROSTEL	45160	6457	TIMKEN SEALS	35075	65078U	TRISEAL	45103
604973	General Motor Corp.	44964	64571	VICTOR	50124	65078W/63093	JRING TRISEAL	45103
604973	Rockwell Standard	44964	64584	VICTOR	38736	65084	TRISEAL	43860
60567	STRICK	42627•	64584	VICTOR	38750	65084W/63026	JRING TRISEAL	43860
61110263	Freightliner	35066	64589	VICTOR	39380	65092	TRISEAL	43764
61120448	Freightliner	38780	64603	VICTOR	47697	65092U	TRISEAL	43761•
61120450	Freightliner	47697	64678	Eaton Corp	38780	65092U	TRISEAL	43763
61257	VICTOR	42800	65000	TRISEAL	40040	65092U	TRISEAL	43764
6174SR	Oshkosh Truck Corp.	42800	65000	TRISEAL	44922	65092W/63037	JRING TRISEAL	43764
619	General Motor Corp.	32470	65000U	TRISEAL	44916	65111U	TRISEAL	34387
619884	White Truck	40136	65000U	TRISEAL	44919	65116U	TRISEAL	32470
620843A	White Truck	48297	65000U	TRISEAL	44922	65152U	TRISEAL	38776•
620848	White Truck	47699	65000W/63009	JRING TRISEAL	40040	65152U	TRISEAL	38779
625412	White Truck	43860	65000W/63093	JRING TRISEAL	44922	65152U	TRISEAL	38780
62797961	Clark Equipment	34384•	65005W/63052	JRING TRISEAL	31175	65165U	TRISEAL	47690
629CHR	PACCAR PARTS	649	65011	TRISEAL	34387	65165U	TRISEAL	48000
63043R91	Navistar (IHC)	38709	65011W/63062	JRING TRISEAL	34387	65165U	TRISEAL	48001
64009	TRISEAL	1643*	65016W/63017	JRING TRISEAL	32470	65165U	TRISEAL	48002
64009	TRISEAL	1743**	65018W/63064	JRING TRISEAL	31307	65172U	TRISEAL	45158
64013	TRISEAL	1642*	65018W/63064	JRING TRISEAL	31323	65172U	TRISEAL	45160
64013	TRISEAL	1742**	65027U	TRISEAL	42550	65179R91	Navistar (IHC)	38709
64024	TRISEAL	1612*	65028W/63021	JRING TRISEAL	48297	65184U	TRISEAL	43860
64024	TRISEAL	1711**	65030U	TRISEAL	52658	65184U	TRISEAL	43861
64042	TRISEAL	1665*	65030W	TRISEAL	52660	65261	TRISEAL	40136
64042	TRISEAL	1765**	65030W	TRISEAL	52664	65261U	TRISEAL	40129•
640454	White Truck	39380	65030WW/67067	JRING TRISEAL	52658	65261U	TRISEAL	40133
64046	TRISEAL	1643*	65044W/63007	JRING TRISEAL	50124	65261U	TRISEAL	40136
64046	TRISEAL	1743**	65052	TRISEAL	38747	65261W/67013	JRING TRISEAL	40136
64075	TRISEAL	1282^	65052	TRISEAL	38750	65262	TRISEAL	42623
64227	VICTOR	36285	65052	TRISEAL	38780	65262	TRISEAL	43800
64234	VICTOR	39380	65052W/63091	JRING TRISEAL	38747	65262	TRISEAL	46390
64249	TRISEAL	1613*	65052W/63091	JRING TRISEAL	38747	65262U	TRISEAL	42627•
64249	TRISEAL	1703**	65054	TRISEAL	39425	65262U	TRISEAL	42622
64412	VICTOR	35075	65054U	TRISEAL	39425	65262U	TRISEAL	42623

For in-text symbols, see page 5A.

Competitor & manufacturer interchange

Mfr no.	Mfr.	Part no.	Mfr no.	Mfr.	Part no.	Mfr no.	Mfr.	Part no.
65262W	_TRISEAL	42623	656139S	_Clark Equipment	450536	6928N	_TIMKEN SEALS	50124
65262W	_TRISEAL	43800	6573	_TIMKEN SEALS	44964	69307R91	_Navistar (IHC)	34387
65262W/63022J	RING _TRISEAL	46390	657668	_White Truck	31244	69503K	_TRISEAL	35075
65262W/63023J	RING _TRISEAL	42623	657890	_White Truck	31244	69504K	_TRISEAL	35075
65262W/63041J	RING _TRISEAL	43800	6584	_TIMKEN SEALS	32470	69505K	_TRISEAL	46305
65262W/68023J	_TRISEAL	42623	65872A	_Oshkosh Truck Corp.	48884	69507K	_TRISEAL	35075
65262W/68023J	_TRISEAL	43800	65872AX	_Oshkosh Truck Corp.	48884	69509K	_TRISEAL	43752
65262W/63023J	RIN _TRISEAL	42623	65917	_Four Wheel Drive	31244	69510K	_TRISEAL	40136
65262W/63041J	RIN _TRISEAL	43800	65922	_Four Wheel Drive	36285	69512K	_TRISEAL	45162
65263	_TRISEAL	35066	65926	_Four Wheel Drive	36365	69513K	_TRISEAL	48298
65263U	_TRISEAL	35058*	659683	_White Truck	36285	69518K	_TRISEAL	36274
65263U	_TRISEAL	35059	65971	_Four Wheel Drive	31244	69519K	_TRISEAL	46390
65263U	_TRISEAL	35066	659966	_White Truck	38709	69520K	_TRISEAL	42623
65263W/67036J	RING _TRISEAL	35066	66015	_Freightliner	35058*	69521K	_TRISEAL	42624
65264W/63004J	RING _TRISEAL	36274	66015	_Freightliner	35059	69522K	_TRISEAL	48297
65267W/63018J	RING _TRISEAL	39380	661D2	_White Truck	48794	69541K	_TRISEAL	42624
65268W/63021J	RING _TRISEAL	48297	663043R91	_Navistar (IHC)	38709	69589K	_TRISEAL	35075
65269	_TRISEAL	48884	663379	_White Truck	47699	69590K	_TRISEAL	35075
65269W/63021J	RING _TRISEAL	48298	663473	_General Motor Corp.	45160	69593K	_TRISEAL	40136
65269W/63095J	RING _TRISEAL	48884	6635	_TIMKEN SEALS	42800	69594K	_TRISEAL	46390
65270	_TRISEAL	45099	66355	_FM SEAL & BRG	42800	69596K	_TRISEAL	42623
65270U	_TRISEAL	45093	66355	_TIMKEN SEALS	42800	69597K	_TRISEAL	40136
65270U	_TRISEAL	45097	6638	_TIMKEN SEALS	35066	69598K	_TRISEAL	46305
65270U	_TRISEAL	45099	665691	_General Motor Corp.	35066	69599K	_TRISEAL	43752
65270W/63093J	RING _TRISEAL	45099	665692	_General Motor Corp.	1765**	69603K	_TRISEAL	31175
65271W/67023J	RING _TRISEAL	42624	670118	_White Truck	40136	69604K	_TRISEAL	31244
65272W	_TRISEAL	45099	671113	_General Motor Corp.	1782	69605K	_TRISEAL	36365
65275U	_TRISEAL	38709	672D2	_REO	28820	69608K	_TRISEAL	40040
65275W/63012J	RING _TRISEAL	38709	673468	_General Motor Corp.	1785	69609K	_TRISEAL	44922
65276W/63012J	RING _TRISEAL	38780	674105	_White Truck	34387	69611K	_TRISEAL	32470
65277	_TRISEAL	42800	674231	_General Motor Corp.	1787**	69612K	_TRISEAL	28820
65277W/63014J	RING _TRISEAL	42800	674237	_General Motor Corp.	48794	69614K	_TRISEAL	36365
65280W/63008J	RING _TRISEAL	28820	674D2	_REO	35066	69616K	_TRISEAL	39988
65282W/63020J	RING _TRISEAL	36365	6755	_TIMKEN SEALS	45099	69619K	_TRISEAL	48794
65283	_TRISEAL	45152	675711	_White Truck	45160	69620K	_TRISEAL	39380
65283	_TRISEAL	47699	67696R91	_Navistar (IHC)	43860	69621K	_TRISEAL	31244
65283U	_TRISEAL	47699	6780	_TIMKEN SEALS	28820	69622K	_TRISEAL	36285
65283W/63079J	RING _TRISEAL	47699	679D2	_REO	48794	69623K	_TRISEAL	35060
65285	_TRISEAL	43865	680272R92	_Navistar (IHC)	1743**	69624K	_TRISEAL	36285
65285W/63026J	RING _TRISEAL	43865	680273R91	_Navistar (IHC)	48794	69625K	_TRISEAL	35060
65287	_TRISEAL	48794	680299R91	_Navistar (IHC)	48794	69626K	_TRISEAL	35066
65287W/63028J	RING _TRISEAL	48794	680391	_General Motor Corp.	1743**	69627K	_TRISEAL	43764
65289W/63032J	RING _TRISEAL	36285	680392	_General Motor Corp.	38750	69628K	_TRISEAL	39988
65289W/63033J	RING _TRISEAL	35060	6809970049	_Freightliner	450765	69629K	_TRISEAL	43800
65289W/67036J	RING _TRISEAL	35075	6809970146	_Freightliner	34387	69637K	_TRISEAL	35075
65291	_TRISEAL	36285	6809970446	_Freightliner	28758	69639K	_TRISEAL	28832
65291U	_TRISEAL	36285	6809970446	_Freightliner	28759	69640K	_TRISEAL	48796
65291W/63034J	RING _TRISEAL	36285	681277	_White Truck	42800	69643K	_TRISEAL	46305
65292W/63035J	RING _TRISEAL	35060	6834	_TIMKEN SEALS	39420	69688K	_TRISEAL	35075
65293W/63050J	RING _TRISEAL	31244	683590	_General Motor Corp.	39380	69689K	_TRISEAL	35075
65294U	_TRISEAL	39977	68380	_Eaton Corp	43860	69689K	_TRISEAL	36365
65294U	_TRISEAL	39979	685215	_General Motor Corp.	47697	69690K	_TRISEAL	48794
65294U	_TRISEAL	39988	685216	_General Motor Corp.	47697	69691K	_TRISEAL	40040
65294W/63011J	RING _TRISEAL	39988	68537R91	_Navistar (IHC)	48297	69692K	_TRISEAL	44922
65294W/63038J	RING _TRISEAL	39988	686059	_General Motor Corp.	1723**	69692K	_TRISEAL	44924
65296W/63030J	RING _TRISEAL	31244	6864W/47686	CONES		69693K	_TRISEAL	36285
65298	_TRISEAL	43752		_FM SEAL & BRG	38750	69695K	_TRISEAL	28832
65298U	_TRISEAL	43752	6864W/47686	CONES		69696K	_TRISEAL	45103
65298U	_TRISEAL	43753		_TIMKEN SEALS	38750	69696K	_TRISEAL	453795
65298U	_TRISEAL	43754	6869	_TIMKEN SEALS	48000	69697K	_TRISEAL	43764
65298W/63037J	RING _TRISEAL	43752	686996	_General Motor Corp.	36365	69698K	_TRISEAL	43800
65299W/63028J	RING _TRISEAL	48796	6872	_TIMKEN SEALS	47697	69699K	_TRISEAL	35066
65299W/63043J	RING _TRISEAL	45162	688061	_General Motor Corp.	48000	69701K	_TRISEAL	48884
654686	_General Motor Corp.	36285	688316	_General Motor Corp.	42550	69702K	_TRISEAL	45099
654687	_General Motor Corp.	45160	688392	_General Motor Corp.	38750	69703K	_TRISEAL	45160
656139S	_Clark Equipment	450537	6928N	_FM SEAL & BRG	50124	69705K	_TRISEAL	38709

For in-text symbols, see page 5A.

Competitor & manufacturer interchange

Mfr no.	Mfr.	Part no.	Mfr no.	Mfr.	Part no.	Mfr no.	Mfr.	Part no.
69706K	_TRISEAL	38780	705400	_Mechanix/Barrier	35059	71-450176	_L&S	450176
69707K	_TRISEAL	42800	705400	_Mechanix/Barrier	35066	71-450189	_L&S	450189
697119R91	_Navistar (IHC)	50124	70541S	_TRISEAL	42624	71-450194	_L&S	450194
69711K	_TRISEAL	39380	705762	_General Motor Corp.	48796	71-450431	_L&S	450431
69713K	_TRISEAL	48297	705925	_General Motor Corp.	47697	71-450447	_L&S	450447
69716K	_TRISEAL	47699	70596S	_TRISEAL	42623	71-45098	_L&S	45099
69717K	_TRISEAL	43860	70597S	_TRISEAL	40136	71-45160	_L&S	45160
69725K	_TRISEAL	34387	70598S	_TRISEAL	46305	714702	_White Truck	40136
69730K	_TRISEAL	31307	70599S	_TRISEAL	43752	71-48000	_L&S	48000
69730K	_TRISEAL	31323	705CHR	_PACCAR PARTS	705	714CHR	_PACCAR PARTS	714
69743K	_TRISEAL	42550	706-000	_Stemco	35075	715-000	_Stemco	45162
69750K	_TRISEAL	50124	706400	_Mechanix/Barrier	43761•	71-50670	_L&S	47699
69754K	_TRISEAL	38747	706400	_Mechanix/Barrier	43763	715506	_General Motor Corp.	40040
69755K	_TRISEAL	39425	706400	_Mechanix/Barrier	43764	715CHR	_PACCAR PARTS	715
69756K	_TRISEAL	47697	706765	_General Motor Corp.	42800	716-000	_Stemco	48298
69757K	_TRISEAL	46305	706CHR	_PACCAR PARTS	706	716122	_General Motor Corp.	43764
697768	_General Motor Corp.	43752	707-000	_Stemco	46305	716400	_Mechanix/Barrier	36285
697770	_General Motor Corp.	1743**	70791S	_TRISEAL	45160	716400	_Mechanix/Barrier	39988
69780K	_TRISEAL	48792	70794S	_TRISEAL	38780	716400W/401254RING		
69781K	_TRISEAL	52658	70798S	_TRISEAL	48001		Mechanix/Barrier	36285
69782K	_TRISEAL	48884	70798S	_TRISEAL	48002	716761	_White Truck	43860
69783K	_TRISEAL	48884	70799S	_TRISEAL	47697	716CHR	_PACCAR PARTS	716
69785K	_TRISEAL	34387	707CHR	_PACCAR PARTS	707	716D6	_REO	47697
69786K	_TRISEAL	35000	708400	_Mechanix/Barrier	48794	717-000	_Stemco	45162
69787K	_TRISEAL	39425	708CHR	_PACCAR PARTS	708	717054	_General Motor Corp.	47697
69788K	_TRISEAL	42672	709-000	_Stemco	35075	717152CHR	_PACCAR PARTS	717152
69789K	_TRISEAL	47699	709400	_Mechanix/Barrier	36285	717153CHR	_PACCAR PARTS	717153
69790K	_TRISEAL	40136	709CHR	_PACCAR PARTS	709	717154CHR	_PACCAR PARTS	717154
69791K	_TRISEAL	45160	70HH1131	_Dana-Spicer Corp.		717155	_PACCAR PARTS	717155
69792K	_TRISEAL	43865		(Churabusco)	38780	717156CHR	_PACCAR PARTS	717156
69793K	_TRISEAL	45099	710360	_General Motor Corp.	43860	717157CHR	_PACCAR PARTS	717157
69794K	_TRISEAL	38780	710395	_FM SEAL & BRG	27438	717158CHR	_PACCAR PARTS	717158
69795K	_TRISEAL	42800	710395	_TIMKEN SEALS	27438	717306CHR	_PACCAR PARTS	717306
69797K	_TRISEAL	43860	710400	_Mechanix/Barrier	32470	717307CHR	_PACCAR PARTS	717307
69798K	_TRISEAL	48000	710CHR	_PACCAR PARTS	710	717400	_Mechanix/Barrier	36357
69799K	_TRISEAL	47697	711-000	_Stemco	35075	717400	_Mechanix/Barrier	36358
698028	_White Truck	38780	71-1207	_L&S	43860	717400W/401255RING		
698444R91	_Navistar (IHC)	40136	71-1216	_L&S	47699		Mechanix/Barrier	36365
698764R91	_Navistar (IHC)	40136	711CHR	_PACCAR PARTS	711	7179	_TIMKEN SEALS	32470
698770	_General Motor Corp.	1743**	712-000	_Stemco	43752	7179S	_FM SEAL & BRG	32470
7000	_Ford	28820	712831	_FM SEAL & BRG	39420	7179S	_TIMKEN SEALS	32470
700016	_White Truck	43752	712831	_General Motor Corp.	39420	717CHR	_PACCAR PARTS	717
700105	_White Truck	36285	712831	_TIMKEN SEALS	39420	718-000	_Stemco	39380
700263	_White Truck	35066	712832	_General Motor Corp.	36285	718400	_Mechanix/Barrier	31244
700284	_White Truck	45099	712833	_General Motor Corp.	32470	718400W/401252RING		
7006	_TIMKEN SEALS	47699	712834	_General Motor Corp.	38750		Mechanix/Barrier	31244
700CHR	_PACCAR PARTS	700	712CHR	_PACCAR PARTS	712	718657	_White Truck	38709
701224	_General Motor Corp.	43860	713-000	_Stemco	40136	718CHR	_PACCAR PARTS	718
701225	_General Motor Corp.	45160	713273	_White Truck	47697	719021	_Freightliner	719021
701226	_General Motor Corp.	48000	713400	_Mechanix/Barrier	48796	719021	_PACCAR PARTS	719021
701400	_Mechanix/Barrier	28758	71-36285	_L&S	36285	719400	_Mechanix/Barrier	39988
701400	_Mechanix/Barrier	28759	71-38780	_L&S	38780	719400W/401253RING		
701664	_General Motor Corp.	1786	71-39380	_L&S	39380		Mechanix/Barrier	39988
701679	_General Motor Corp.	48000	713CHR	_PACCAR PARTS	713	719CHR	_PACCAR PARTS	719
701CHR	_PACCAR PARTS	701	714-000	_Stemco	40139	720656CHR	_PACCAR PARTS	720656
70213777	_White Truck	38780	71-42550	_L&S	42550	720782CHR	_PACCAR PARTS	720782
7029	_TIMKEN SEALS	48884	71-43752	_L&S	43752	721-000	_Stemco	36274
702CHR	_PACCAR PARTS	702	71-43795	_L&S	42800	721490	_General Motor Corp.	43764
703-000	_Stemco	40136	714400	_Mechanix/Barrier	44916	721CHR	_PACCAR PARTS	721
703CHR	_PACCAR PARTS	703	714400	_Mechanix/Barrier	44919	722	_TIMKEN SEALS	722
7041	_TIMKEN SEALS	36285	714400	_Mechanix/Barrier	44922	722-000	_Stemco	46390
704303	_General Motor Corp.	48796	71-450023	_L&S	450023	722CHR	_PACCAR PARTS	722
704925	_General Motor Corp.	47697	71-450024	_L&S	450024	723-000	_Stemco	42623
704CHR	_PACCAR PARTS	704	71-450155	_L&S	450155	723CHR	_PACCAR PARTS	723
705-000	_Stemco	35075	71-450158	_L&S	450158	724-000	_Stemco	42624
705400	_Mechanix/Barrier	35058•	71-450166	_L&S	450166	724CHR	_PACCAR PARTS	724

For in-text symbols, see page 5A.

Competitor & manufacturer interchange

Mfr no.	Mfr.	Part no.	Mfr no.	Mfr.	Part no.	Mfr no.	Mfr.	Part no.
725-000	Stemco	48297	733111	FM SEAL & BRG	450981	756400	Mechanix/Barrier	46304
725400	Mechanix/Barrier	28832	733111	TIMKEN SEALS	450981	758400	Mechanix/Barrier	44963
725CHR	PACCAR PARTS	725	733112	FM SEAL & BRG	450982	758400	Mechanix/Barrier	44964
726400	Mechanix/Barrier	40086	733112	TIMKEN SEALS	450982	758400	Mechanix/Barrier	45010
726400	Mechanix/Barrier	40088	733113	FM SEAL & BRG	450983	759400	Mechanix/Barrier	48690
726CHR	PACCAR PARTS	726	733113	TIMKEN SEALS	450983	759704C91	Navistar (IHC)	43860
727CHR	PACCAR PARTS	727	733114	FM SEAL & BRG	450984	760400	Mechanix/Barrier	42550
728CHR	PACCAR PARTS	728	733114	TIMKEN SEALS	450984	760885C91	Navistar (IHC)	38780
729CHR	PACCAR PARTS	729	733115	FM SEAL & BRG	450985	761400	Mechanix/Barrier	47692*
730001	FM SEAL & BRG	450749	733115	TIMKEN SEALS	450985	761400	Mechanix/Barrier	47691
730001	TIMKEN SEALS	450749	733CHR	PACCAR PARTS	733	761400	Mechanix/Barrier	47695
730003	FM SEAL & BRG	450741	735-000	Stemco	40139	761400	Mechanix/Barrier	47697
730003	TIMKEN SEALS	450741	736400	Mechanix/Barrier	45095	761400	Mechanix/Barrier	47698
730004	FM SEAL & BRG	450755	736400	Mechanix/Barrier	45102	761D6	REO	47697
730004	TIMKEN SEALS	450755	736400	Mechanix/Barrier	45103	762400	Mechanix/Barrier	42800
730005	FM SEAL & BRG	450760	7376	TIMKEN SEALS	47697	763205C91	Navistar (IHC)	45160
730005	TIMKEN SEALS	450760	7378	TIMKEN SEALS	47699	763400	Mechanix/Barrier	48001
730006	FM SEAL & BRG	450772	73873	Eaton Corp	42550	763400	Mechanix/Barrier	48002
730006	TIMKEN SEALS	450772	740400	Mechanix/Barrier	42624	763400EXCGMC	Mechanix/Barrier	48000
730007	FM SEAL & BRG	450771	741400	Mechanix/Barrier	45162	763400W/GMC	Mechanix/Barrier	47690
730007	TIMKEN SEALS	450771	74147	General Motor Corp.	40136	764774C91	Navistar (IHC)	39380
730009	FM SEAL & BRG	450777	742400	Mechanix/Barrier	28820	764775C91	Navistar (IHC)	1713
730009	TIMKEN SEALS	450777	742E772238	Lufkin Ind Inc.	46305	768400	Mechanix/Barrier	48884
730016	FM SEAL & BRG	450748	742E772239	Lufkin Ind Inc.	1743**	768400W/401200RING	Mechanix/Barrier	48884
730016	TIMKEN SEALS	450748	742EP46740	Lufkin Ind Inc.	40136	769400	Mechanix/Barrier	48884
730017	FM SEAL & BRG	450496	742EP49180	Lufkin Ind Inc.	40136	770400	Mechanix/Barrier	38776*
730017	TIMKEN SEALS	450496	742EP49247	Lufkin Ind Inc.	1743**	770400	Mechanix/Barrier	38779
730018	FM SEAL & BRG	450596	742EP49249	Lufkin Ind Inc.	1738**	770400	Mechanix/Barrier	38780
730018	FM SEAL & BRG	450751	742EP49250	Lufkin Ind Inc.	40139	771400	Mechanix/Barrier	43860
730018	TIMKEN SEALS	450596	742EP49252	Lufkin Ind Inc.	1742**	771400	Mechanix/Barrier	43861
730018	TIMKEN SEALS	450751	7430	TIMKEN SEALS	40040	771723C91	Navistar (IHC)	45160
730019	FM SEAL & BRG	450778	743-000	Stemco	46305	772186C91	Navistar (IHC)	44922
730019	TIMKEN SEALS	450778	7430S	FM SEAL & BRG	40040	772400	Mechanix/Barrier	45158
730020	FM SEAL & BRG	450756	7430S	TIMKEN SEALS	40040	772400	Mechanix/Barrier	45160
730020	TIMKEN SEALS	450756	7430S54	FM SEAL & BRG	40040	773400	Mechanix/Barrier	39420
730022	FM SEAL & BRG	450769	7430S54	TIMKEN SEALS	40040	774400	Mechanix/Barrier	38748
730022	TIMKEN SEALS	450769	743400	Mechanix/Barrier	46390	774400	Mechanix/Barrier	38750
730026	FM SEAL & BRG	450742	743400W/401256RING	Mechanix/Barrier	46390	775400	Mechanix/Barrier	39380
730026	TIMKEN SEALS	450742	744-000	Stemco	43752	775697C91	Navistar (IHC)	48794
730027	FM SEAL & BRG	450768	7452	TIMKEN SEALS	43860	775698C91	Navistar (IHC)	47697
730027	TIMKEN SEALS	450768	7452S	FM SEAL & BRG	43860	776400	Mechanix/Barrier	38709
730031	FM SEAL & BRG	450757	7452S	TIMKEN SEALS	43860	777400	Mechanix/Barrier	48000
730031	TIMKEN SEALS	450757	7453	TIMKEN SEALS	45160	777400	Mechanix/Barrier	48001
730034	FM SEAL & BRG	450766	7454	TIMKEN SEALS	48000	777400	Mechanix/Barrier	48002
730034	TIMKEN SEALS	450766	745400	Mechanix/Barrier	42627*	778400	Mechanix/Barrier	34994
730CHR	PACCAR PARTS	730	745400	Mechanix/Barrier	42622	778400	Mechanix/Barrier	34999
731-000	Stemco	40136	745400	Mechanix/Barrier	42623	778400	Mechanix/Barrier	35000
731400	Mechanix/Barrier	34971	7454S	FM SEAL & BRG	48000	77895	Freightliner	46390
731400	Mechanix/Barrier	34972	7454S	TIMKEN SEALS	48000	780055C91	Navistar (IHC)	48297
731400	Mechanix/Barrier	34975	7455	TIMKEN SEALS	47699	780316C91	Navistar (IHC)	44922
731CHR	PACCAR PARTS	731	7455S	FM SEAL & BRG	47699	780D6	REO	34387
732CHR	PACCAR PARTS	732	7455S	TIMKEN SEALS	47699	781400	Mechanix/Barrier	43875
733067	FM SEAL & BRG	450782	746-000	Stemco	28820	781564C91	Navistar (IHC)	1788**
733067	TIMKEN SEALS	450782	746400	Mechanix/Barrier	35075	781565C91	Navistar (IHC)	1743**
733105	FM SEAL & BRG	450875	747400	Mechanix/Barrier	40129*	782400	Mechanix/Barrier	43865
733105	TIMKEN SEALS	450875	747400	Mechanix/Barrier	40133	784323C91	Navistar (IHC)	42800
733106	FM SEAL & BRG	450876	747400	Mechanix/Barrier	40136	785400	Mechanix/Barrier	45093
733106	TIMKEN SEALS	450876	749400	Mechanix/Barrier	43752	785400	Mechanix/Barrier	45097
733107	FM SEAL & BRG	450877	749400	Mechanix/Barrier	43753	785400	Mechanix/Barrier	45099
733107	TIMKEN SEALS	450877	749400	Mechanix/Barrier	43754	786400	Mechanix/Barrier	48792
733108	FM SEAL & BRG	450878	750199C91	Navistar (IHC)	43860	7866	TIMKEN SEALS	48794
733108	TIMKEN SEALS	450878	755400	Mechanix/Barrier	46300	787D6	REO	39380
733109	FM SEAL & BRG	450879	755400	Mechanix/Barrier	46304	788400	Mechanix/Barrier	39425
733109	TIMKEN SEALS	450879	755400	Mechanix/Barrier	46305	788485C91	Navistar (IHC)	38780
733110	FM SEAL & BRG	450980	756400	Mechanix/Barrier	46300	789400	Mechanix/Barrier	42671
733110	TIMKEN SEALS	450980						

For in-text symbols, see page 5A.

Competitor & manufacturer interchange

Mfr no.	Mfr.	Part no.	Mfr no.	Mfr.	Part no.	Mfr no.	Mfr.	Part no.
789400	._Mechanix/Barrier	42672	834-000	._Stemco	36285	85104741	._Volvo Truck NA	45093
789400	._Mechanix/Barrier	42673	834262	._White Truck	31244	85104742	._Volvo Truck NA	42673
790400	._Mechanix/Barrier	47699	835-000	._Stemco	35060	85105435	._Volvo Truck NA	42800
791400	._Mechanix/Barrier	52660	836-000	._Stemco	35066	85105659	._Volvo Truck NA	39979
7930	._TIMKEN SEALS	40040	837-000	._Stemco	43764	85105660	._Volvo Truck NA	44916
794408C91	._Navistar (IHC)	43764	837512	._White Truck	44964	85105661	._Volvo Truck NA	45095
795-000	._Stemco	43752	837705	._White Truck	39380	85105662	._Volvo Truck NA	45157
797-000	._Stemco	46305	839-000	._Stemco	39988	85105663	._Volvo Truck NA	48002
798-000	._Stemco	40136	839495	._White Truck	47697	85106402	._Volvo Truck NA	32470
799-000	._Stemco	42623	839496	._White Truck	48297	85106403	._Volvo Truck NA	453869
79Y7016R	._NOK/FREUD	35066	839594	._White Truck	48297	85107184	._Volvo Truck NA	1743**
7EQ1175	._Ford	38780	839984	._White Truck	35066	85107785	._Volvo Truck NA	455054
7EQ1175A	._Ford	39380	841125	._White Truck	40136	85122926	._Volvo Truck NA	47692•
7EQ1175A1	._Ford	39380	842048	._White Truck	40086	851T	._NOK/FREUD	42627•
7EQ1175A2	._Ford	39380	844-000	._Stemco	28832	851T	._NOK/FREUD	42622
7EQ1175H	._Ford	38780	845-000	._Stemco	48796	851T	._NOK/FREUD	42623
7EQH1175	._Ford	38748	846	._Rockwell Standard	43752	852	._NOK/FREUD	42672
7EQH1175A2	._Ford	39380	846-000	._Stemco	44922	852722	._White Truck	48884
7QH1175	._Ford	38780	846D6	._REO	38709	852T	._NOK/FREUD	42672
7QQ1175A	._Ford	34387	847	._NOK/FREUD	35058•	853	._NOK/FREUD	43752
8004633	._General Motor Corp.	44964	847	._NOK/FREUD	35059	853	._NOK/FREUD	43753
8004670	._General Motor Corp.	44964	847	._NOK/FREUD	35066	853	._NOK/FREUD	43754
8004855	._General Motor Corp.	44964	847	._NOK/FREUD	35103	8532	._TIMKEN SEALS	43764
8005	._TIMKEN SEALS	42623	847T	._NOK/FREUD	35058•	853D6	._REO	34387
80055	._FM SEAL & BRG	42623	847T	._NOK/FREUD	35059	853T	._NOK/FREUD	43752
80055	._TIMKEN SEALS	42623	847T	._NOK/FREUD	35066	853T	._NOK/FREUD	43753
801-000	._Stemco	40086	848	._NOK/FREUD	38750	853T	._NOK/FREUD	43754
8028830	._Volvo/GMC/White Truck	450751	848T	._NOK/FREUD	38750	854	._NOK/FREUD	43860
8028831	._Volvo/GMC/White Truck	1343+	849	._NOK/FREUD	38776•	854	._NOK/FREUD	43861
8037418	._General Motor Corp.	31244	849	._NOK/FREUD	38779	854091	._White Truck	36285
8060889	._Volvo/GMC/White Truck	43761•	849	._NOK/FREUD	38780	854T	._NOK/FREUD	43860
8060889	._Volvo/GMC/White Truck	43763	849	._NOK/FREUD	38783	854T	._NOK/FREUD	43861
8060889	._Volvo/GMC/White Truck	43764	8491294	._Navistar (IHC)	450537	855	._NOK/FREUD	44916
8085822	._Volvo/GMC/White Truck	1343+	849505	._White Truck	48297	855	._NOK/FREUD	44919
809-000	._Stemco	31175	849T	._NOK/FREUD	38776•	855	._NOK/FREUD	44922
8093412	._General Motor Corp.	31244	849T	._NOK/FREUD	38779	855	._NOK/FREUD	45099
80D6	._REO	34387	849T	._NOK/FREUD	38780	855T	._NOK/FREUD	44916
810-000	._Stemco	31244	84Q1175A	._Ford	34387	855T	._NOK/FREUD	44919
811-000	._Stemco	36365	850	._NOK/FREUD	40129•	855T	._NOK/FREUD	44922
814-000	._Stemco	40040	850	._NOK/FREUD	40133	856	._NOK/FREUD	45093
815947	._White Truck	45160	850	._NOK/FREUD	40136	856	._NOK/FREUD	45097
816-000	._Stemco	27438	850	._NOK/FREUD	40147	856	._NOK/FREUD	45099
817-000	._Stemco	32470	850T	._NOK/FREUD	40129•	856T	._NOK/FREUD	45099
8175141	._Volvo/GMC/White Truck	1311+	850T	._NOK/FREUD	40133	857	._NOK/FREUD	45095
8175141	._Volvo/GMC/White Truck	1326+	850T	._NOK/FREUD	40136	857	._NOK/FREUD	45102
818-000	._Stemco	28820	851	._NOK/FREUD	42627•	857	._NOK/FREUD	45103
81DB1175B	._Ford	39380	851	._NOK/FREUD	42622	857824	._White Truck	47699
81DB1175CA	._Ford	38780	851	._NOK/FREUD	42623	857T	._NOK/FREUD	45095
820-000	._Stemco	36365	851	._NOK/FREUD	42631	857T	._NOK/FREUD	45102
821-000	._Stemco	39988	851	._NOK/FREUD	43860	857T	._NOK/FREUD	45103
823-000	._Stemco	39988	851	._NOK/FREUD	43861	858	._NOK/FREUD	45158
823D6	._REO	38750	85102506	._Volvo Truck NA	1711**	858	._NOK/FREUD	45160
825-000	._Stemco	35075	85103455	._Volvo Truck NA	35103	858345	._White Truck	38780
827564	._White Truck	35066	85103455	._Volvo/GMC/White Truck	35103	858352	._White Truck	36365
828-000	._Stemco	48794	85103822	._Volvo Truck NA	34384•	858353A	._White Truck	31244
829-000	._Stemco	39380	85103823	._Volvo Truck NA	35058•	858354	._White Truck	36285
830-000	._Stemco	31244	85103824	._Volvo Truck NA	38776•	858355	._White Truck	42623
83018	._Four Wheel Drive	31244	85103825	._Volvo Truck NA	40129•	858356	._White Truck	46390
83076	._Four Wheel Drive	48792	85103826	._Volvo Truck NA	42627•	858358	._White Truck	40136
830948	._White Truck	31244	85103827	._Volvo Truck NA	43754	858366	._White Truck	1727**
83102	._Four Wheel Drive	45160	85103828	._Volvo Truck NA	43761•	858370	._White Truck	1727**
83119	._Four Wheel Drive	36285	85103829	._Volvo Truck NA	46300	858375	._White Truck	38780
832-000	._Stemco	36285	85103830	._Volvo Truck NA	47692•	858379	._White Truck	1742**
833-000	._Stemco	35060	85104638	._Volvo Truck NA	29400	858381	._White Truck	1711**
833918	._White Truck	31244	85104638	._Volvo Truck NA	29480	858383	._White Truck	35066
833948	._White Truck	31244	85104639	._Volvo Truck NA	23590	858387	._White Truck	1665*

For in-text symbols, see page 5A.

Competitor & manufacturer interchange

Mfr no.	Mfr.	Part no.	Mfr no.	Mfr.	Part no.	Mfr no.	Mfr.	Part no.
858387	White Truck	1765**	862-000W/39585BRGCONE			88AX421	Mack	45099
858389	White Truck	1769**	Stemco		31266	88AX424	Mack	52658
858391	White Truck	36365	862-000W/39585BRGCONE			88AX425	Mack	43752
858395	White Truck	1575	Stemco		31281	88AX426	Mack	43764
858397	White Truck	31244	862500	White Truck	1743**	88AX427	Mack	43860
858401	White Truck	1576	862502	White Truck	40136	88AX432	Mack	48000
858408	White Truck	38780	863	NOK/FREUD	43761•	88AX443	Mack	48000
858849	White Truck	48794	863	NOK/FREUD	43764	88AX461	SPICER	47692•
858D6	REO	38780	863766	White Truck	1576	88AX461	SPICER	47691
858T	NOK/FREUD	45158	864643C91	Navistar (IHC)	38747	88AX461	SPICER	47695
858T	NOK/FREUD	45160	864784C91	Navistar (IHC)	38780	88AX59	Mack	40136
859	NOK/FREUD	46300	867424	White Truck	43764	88AX65	Kenworth	50124
859	NOK/FREUD	46304	8676	TIMKEN SEALS	32470	88AX65	Mack	50124
859	NOK/FREUD	46305	868860R92	Navistar (IHC)	1711**	88AX70	Kenworth	36365
859	NOK/FREUD	46308	869235	White Truck	31307	88AX70	Mack	36365
859063	White Truck	31244	869235	White Truck	31323	88AX72	Mack	48794
859064	White Truck	34387	875187R92	Navistar (IHC)	38780	88AX77	Mack	40136
859813	White Truck	47699	876235R91	Navistar (IHC)	39380	88AX79	Kenworth	50190
859814	White Truck	47699	878935	White Truck	1535	88AX79	Mack	52660
859817	White Truck	48297	880705	White Truck	31244	88AX97	Mack	36365
859922	White Truck	43865	88319	Eaton Corp	47697	88AZ110P1	Mack	39988
859965	White Truck	48884	88327	Eaton Corp	48884	890520	White Truck	35060
859966	White Truck	38709	8872	TIMKEN SEALS	43764	890608	White Truck	42800
859967	White Truck	42800	8872453	General Motor Corp.	450748	891002	White Truck	1715**
859969	White Truck	43860	8873425	General Motor Corp.	42800	891003	White Truck	1578
859970	White Truck	28820	8873428	General Motor Corp.	1711**	891004	White Truck	1770**
859971	White Truck	39380	889568	White Truck	47699	891005	White Truck	1707
859972	White Truck	39380	88AX100	Mack	31244	891006	White Truck	1713
859973	White Truck	39380	88AX110	Mack	39988	891011	White Truck	28820
859975	White Truck	31244	88AX110P1	Mack	39988	891012	White Truck	39380
859976	White Truck	36285	88AX138	Mack	39988	891014	White Truck	35060
859977	White Truck	35060	88AX153	Mack	42672	891015	White Truck	35066
859978	White Truck	35060	88AX177	Mack	45099	891017	White Truck	38709
859979	White Truck	35060	88AX20	Mack	40136	891020	White Truck	43860
859980	White Truck	35060	88AX21	Mack	45160	891033	White Truck	35066
859981	White Truck	35060	88AX234	Mack	40136	891034	White Truck	35066
859982	White Truck	35060	88AX240	Mack	43865	891035	White Truck	35066
859985	White Truck	35066	88AX240P3	Mack	47697	891042	White Truck	43865
859D6	REO	38750	88AX270	Mack	50124	892066	White Truck	48794
859T	NOK/FREUD	46300	88AX286	Mack	42800	892486	White Truck	31244
859T	NOK/FREUD	46304	88AX287	Mack	47697	892487	White Truck	39988
859T	NOK/FREUD	46305	88AX305	Mack	39988	892488	White Truck	38709
860	NOK/FREUD	48000	88AX325	Mack	43865	896941R91	Navistar (IHC)	43764
860	NOK/FREUD	48001	88AX326	Mack	43865	8976	TIMKEN SEALS	31175
860	NOK/FREUD	48002	88AX328	Mack	31244	898235R92	Navistar (IHC)	43860
860-000	Stemco	43800	88AX372	Mack	45099	898235R93	Navistar (IHC)	43860
860T	NOK/FREUD	48000	88AX373	Mack	42672	899496	White Truck	31244
860T	NOK/FREUD	48001	88AX374	Mack	48794	8EB1190	Ford	35066
860T	NOK/FREUD	48002	88AX375	Mack	50124	9002532	White Truck	43860
861	NOK/FREUD	47692•	88AX376	Mack	52660	9003242	Bluebird Body Inc.	1711**
861	NOK/FREUD	47691	88AX378	Mack	50190	9004315	White Truck	43865
861	NOK/FREUD	47693	88AX379	Mack	40136	9004766	White Truck	43875
861	NOK/FREUD	47695	88AX380	Mack	43865	901-000	Stemco	48884
861	NOK/FREUD	47697	88AX382	Mack	52664	902-000	Stemco	45099
861-000	Stemco	31266	88AX399	Mack	52658	904-000	Stemco	42672
861-000	Stemco	31281	88AX402	Mack	52658	905-000	Stemco	45160
861546	White Truck	38750	88AX403	Mack	52660	9050A101-9	General Motor Corp.	43752
861T	NOK/FREUD	47692•	88AX404	Mack	52664	9051S	FM SEAL & BRG	45152
861T	NOK/FREUD	47691	88AX405	Dana-Spicer Corp.		9051S	TIMKEN SEALS	45152
861T	NOK/FREUD	47695	(Churabusco)		42672	907-000	Stemco	50124
861T	NOK/FREUD	47697	88AX405	Mack	42672	90RU213P2	Mack	43800
862-000W/39578BRGCONE			88AX406	Mack	43865	910-000	Stemco	38709
Stemco		31266	88AX407	Mack	45099	91021	Hayes-Dana	27438
862-000W/39578BRGCONE			88AX418	Mack	42672	91029	Chrysler	31244
Stemco		31281	88AX419	Mack	38709	91029	White Truck	31244
			88AX420	Mack	47697	91030	Hayes-Dana	27438

For in-text symbols, see page 5A.

Competitor & manufacturer interchange

Mfr no.	Mfr.	Part no.	Mfr no.	Mfr.	Part no.	Mfr no.	Mfr.	Part no.
91030	REDNECK	27438	94001-0017	Volvo Truck NA	38780	97391611	Ford	1611
9103320	Hayes-Dana	46300	94001-0017	Volvo/GMC/ White Truck	38780	973934384	Ford	34384*
9103320	Hayes-Dana	46304	94001-0017	White Truck	38780	973934386	Ford	34386
912-000	Stemco	38780	94001-0029	White Truck	35058*	973934387	Ford	34387
914-000	Stemco	42800	94001-0029	White Truck	35059	974526R91	Navistar (IHC)	47697
915-000	Stemco	38750	940010030	Volvo	47692*	974644R91	Navistar (IHC)	48297
9170	TIMKEN SEALS	43875	940010030	Volvo	47695	97520	MCCORD/JPI	43860
918-000	Stemco	39380	94001-0032	Volvo	46300	97545	MCCORD/JPI	47699
919-000	Stemco	48792	94001-0032	Volvo	46304	976605	Dana-Spicer Corp. (Churabusco)	47692*
92031	MCCORD/JPI	649	94001-0032	Volvo Truck NA	46300	976610	Dana-Spicer Corp. (Churabusco)	1644*
921-000	Stemco	48297	94001-0032	Volvo Truck NA	46304	976610	SPICER	1644*
92101-0003	White Truck	1743**	94001-0032	Volvo/GMC/ White Truck	46300	976611	Dana-Spicer Corp. (Churabusco)	1696*
92101-0004	White Truck	1785	94001-0032	Volvo/GMC/ White Truck	46304	976611	SPICER	1696*
92101-0006	White Truck	1711**	940010034	Volvo/GMC/ White Truck	47692*	976612	Dana-Spicer Corp. (Churabusco)	1696*
92101-0007	White Truck	1711**	940010034	Volvo/GMC/ White Truck	47695	976612	SPICER	1696*
92101-0008	White Truck	1711**	94001-0034	Volvo Truck NA	47692*	976706	Dana-Spicer Corp. (Churabusco)	1644*
92101-0009	White Truck	1743**	94001-0034	Volvo Truck NA	47695	976706	SPICER	1644*
92101-0010	White Truck	1743**	940010038	Volvo	43761*	976717	Dana-Spicer Corp. (Churabusco)	1612*
92101-0011	White Truck	1743**	940010038	Volvo	43763	976717	SPICER	1612*
921010020	Volvo	1788**	940013409	Freightliner	46300	976767	Dana-Spicer Corp. (Churabusco)	1612*
92101-0022	White Truck	1790**	94001-3604	White Truck	35066	976767	SPICER	1612*
921010026	Volvo	1753**	940013606	White Truck	48796	977123	Dana-Spicer Corp. (Churabusco)	1612*
921010031	Volvo	1743**	94004-0003	Volvo Truck NA	455019	977123	SPICER	1612*
92101-0031	Volvo/GMC/ White Truck	1743**	94004-0003	White Truck	455019	977124	Dana-Spicer Corp. (Churabusco)	1612*
921010037	Volvo/GMC/ White Truck	1743**	94004-0006	Volvo/GMC/ White Truck	455054	977124	SPICER	1612*
922-000	Stemco	48000	944-000	Stemco	43875	977125	Dana-Spicer Corp. (Churabusco)	1644*
923-000	Stemco	48884	945-000	Stemco	42550	977125	SPICER	1644*
924-000	Stemco	47699	946-000	Stemco	48297	977126	Dana-Spicer Corp. (Churabusco)	1644*
925-000	EXCEATON42DAX Stemco	43860	947-000	Stemco	42672	977126	SPICER	1644*
925-000	W/EATON42DAX Stemco	43860	948-000	Stemco	52658	977127	Dana-Spicer Corp. (Churabusco)	1696*
925172R91	Navistar (IHC)	48794	949-000	Stemco	50190	977127	SPICER	1696*
925173R91	Navistar (IHC)	48794	95	Navistar (IHC)	28820	977128	Dana-Spicer Corp. (Churabusco)	1696*
926-000	Stemco	43865	950-000	Stemco	52660	9820	Dana-Spicer Corp. (Churabusco)	47697
927-000	Stemco	47699	95082	MCCORD/JPI	42800	982259R91	Navistar (IHC)	48884
928-000	Stemco	42672	95094	MCCORD/JPI	45099	9826	Dana-Spicer Corp. (Churabusco)	47697
929-000	W(FOR1) Stemco	43875	951-000	Stemco	50190	9826	VICTOR	47697
929-000	W(FOR2) Stemco	47697	952-000	EXCEATON42DAX Stemco	43860	983006R91	Navistar (IHC)	42800
929-000	W(FOR3) Stemco	45152	95357	Eaton Corp	38780	983570R1	Navistar (IHC)	47697
929067	Bluebird Body Inc.	47697	956-000	EXCGMC&IHC Stemco	38780	988-000	Stemco	45160
930-000	Stemco	45152	956-000	GMC Stemco	38750	989-000	Stemco	52658
93068	White Truck	31244	956-000	IHC(SEECATL) Stemco	38747	990-000	Stemco	42672
93088	White Truck	31244	957-000	Stemco	39425	992-000	Stemco	43865
931-000	Stemco	38747	959-000	EXCSOME EATON Stemco	47697	992482C91	Navistar (IHC)	44922
932-000	Stemco	40136	959-000	W/EATON18&38D Stemco	43875	992483C91	Navistar (IHC)	44922
933-000	Stemco	44964	959-000	W/EATON19SER Stemco	45152	994-000	Stemco	45099
93333	Navistar (IHC)	32470	960-000	Stemco	48000	995-000	Stemco	42800
93333	White Truck	31244	961-000	Stemco	42800	996-000	EXCEATON42DAX Stemco	43860
934-000	Stemco	48690	962-000	Stemco	48884	996-000	W/EATON42DAX Stemco	43860
935-000	Stemco	34387	964-000	Stemco	45160			
936-000	Stemco	35000	965-000	EXCEATON42DAX Stemco	43860			
938-000	Stemco	31307	965-000	W/EATON42DAX Stemco	43860			
938-000	Stemco	31323	968191R92	Navistar (IHC)	1702**			
94001-0001	Volvo Truck NA	43764	970-9070	Stemco	47699			
94001-0001	White Truck	43764	972401R91	Navistar (IHC)	38780			
94001-0003	White Truck	48884	97260007	Heil	42623			
94001-0006	White Truck	46305	97260013	Heil	46300			
94001-0014	Volvo/GMC/ White Truck	35066	97260014	Heil	42627*			
94001-0014	White Truck	35066						
940010015	Volvo Truck NA	47699						
940010015	White Truck	47699						
94001-0016	Volvo Truck NA	46305						
94001-0016	White Truck	46305						

For in-text symbols, see page 5A.

Competitor & manufacturer interchange

Mfr no.	Mfr.	Part no.	Mfr no.	Mfr.	Part no.	Mfr no.	Mfr.	Part no.
998-000EXCEATONAX	Stemco	47697	A1205K999	Meritor	46305	A1205V2180	Rockwell Standard	47695
998-000W/EATON18&38D			A1205K999	Rockwell Standard	46305	A1205V2492	Meritor	47692*
	Stemco	43875	A1205L1338	Rockwell Standard	35066	A1205-V-2492	Rockwell Standard	47692*
998-000W/EATON19SER	Stemco	45152	A1205L1546	Meritor	48690	A1205-V-2492	Rockwell Standard	47693
999RV1645	Mack	43865	A1205L1546	Rockwell Standard	48690	A1205-V-2492	Rockwell Standard	47695
A0169978645	Chrysler	47693	A1205L324	Rockwell Standard	40136	A1205V542	Rockwell Standard	48884
A1-1205A1093	Rockwell Standard	47699	A1205M1261	Rockwell Standard	39380	A1205W1349	Rockwell Standard	38780
A1-1805A1171	Rockwell Standard	44964	A1205M1339	Rockwell Standard	43764	A1205W1375	Rockwell Standard	35066
A1-1805H2088	Rockwell Standard	35820	A-1205-M-1339	ROCKWELL	43761*	A1205W1557	Rockwell Standard	34387
A1-1805Q1889	Rockwell Standard	42623	A-1205-M-1339	ROCKWELL	43763	A1205W959	Rockwell Standard	46305
A1-1805W725	Rockwell Standard	39380	A-1205-M-1339	ROCKWELL	43764	A1205Y1715	Rockwell Standard	28832
A1199Y1296	Rockwell Standard	42800	A1205M1624	Rockwell Standard	45010	A1205Z324	Rockwell Standard	40086
A1205A1093	Rockwell Standard	47699	A1205M1625	Meritor	45010	A1205Z364	Rockwell Standard	40086
A1205A1171	Rockwell Standard	44964	A1205M1625	Rockwell Standard	45010	A1205Z780	REO	43764
A1205A833	Rockwell Standard	40139	A1205M897	Rockwell Standard	40136	A1205Z780	Rockwell Standard	43764
A1205B1068	Rockwell Standard	42800	A1205N898	Rockwell Standard	43752	A1244C393	Rockwell Standard	48884
A1205B2264	Meritor	35058*	A1205P1005	Rockwell Standard	39380	A1255T748	Rockwell Standard	39380
A1205B2264	Rockwell Standard	35058*	A1205P1108	Meritor	43764	A1-3262C133	Rockwell Standard	1743**
A1205B514	Rockwell Standard	39380	A1205P1108	REO	43764	A1-3262P276	Rockwell Standard	1711**
A1205B574	Rockwell Standard	39380	A1205P1108	Rockwell Standard	43764	A1805A1	Rockwell Standard	31244
A1205C1017	Rockwell Standard	40086	A-1205-P-1108	ROCKWELL	43764	A1805E369	Rockwell Standard	31244
A1205C1381	Rockwell Standard	28832	A1205P1212	Rockwell Standard	46305	A1805F5B	Rockwell Standard	34387
A1205C549	Rockwell Standard	48884	A1205P1888	Rockwell Standard	42627*	A1805J244	Rockwell Standard	32470
A1205C575	Rockwell Standard	39380	A1205P1888	Rockwell Standard	42622	A1805U723	Rockwell Standard	32470
A1205C653	Rockwell Standard	43860	A1205P1888	Rockwell Standard	42623	A205F1043	Rockwell Standard	44964
A1205D1018	Rockwell Standard	44964	A1205P406	Rockwell Standard	44964	A21205V542	Rockwell Standard	48298
A1205D1070	REO	43764	A1205P574	Rockwell Standard	39380	A29472	Hendrickson	46305
A1205D1070	Rockwell Standard	43764	A1205P666	Rockwell Standard	48690	A29667	Hendrickson	42623
A1205D836	Rockwell Standard	40136	A1205Q1109	Rockwell Standard	48298	A3-1205V542	Rockwell Standard	47697
A1205D888	Rockwell Standard	39380	A1205Q1889	Meritor	42623	A3-1205W543	Rockwell Standard	42800
A1205E1019	Rockwell Standard	40086	A1205Q1889	Rockwell Standard	42623	A3262C133	Rockwell Standard	1743**
A-1205-E-1019	ROCKWELL	40086	A1205Q2487	Rockwell Standard	47692*	A-3262-F-1228	ROCKWELL	1764**
A1205E1071	Rockwell Standard	35066	A1205Q2487	Rockwell Standard	47695	A3262F214	Rockwell Standard	1704**
A1205E1253	Rockwell Standard	39420	A1205Q407	Rockwell Standard	45099	A3262G215	Rockwell Standard	1711**
A1205E1799	Rockwell Standard	40136	A1205R1285	Rockwell Standard	47697	A3262J166	Rockwell Standard	1798**
A1205-E-2163	Rockwell Standard	40086	A1205R1630	Rockwell Standard	47699	A3262M169	Rockwell Standard	1742**
A1205-E-2163	Rockwell Standard	40088	A1205R2410	Meritor	47697	A3262N222	Rockwell Standard	1787**
A1205E369	Rockwell Standard	31244	A1205-R-2410	ROCKWELL	47697	A3262P276	Rockwell Standard	1711**
A1205F1043	Rockwell Standard	44964	A1205-R-2410	Rockwell Standard	1443+	A3262P302	Rockwell Standard	1798**
A1205F1072	Rockwell Standard	48884	A1205-R-2410	Rockwell Standard	47697	A3262Q173	Rockwell Standard	1595
A1205F664	Rockwell Standard	38780	A1205R642	Rockwell Standard	40136	A3262Q277	Rockwell Standard	1708
A1205F838	Rockwell Standard	43752	A1205S1631	Rockwell Standard	46396	A3262Y181	Rockwell Standard	1743**
A1205F890	Rockwell Standard	43752	A1205S669	Rockwell Standard	28820	A34009	TROSTEL	1643*
A1205F916	Rockwell Standard	47697	A1205-S-669	ROCKWELL	28820	A34009	TROSTEL	1743**
A1205G2191	ROCKWELL	46305	A1205S699	Rockwell Standard	28820	A39504K	TROSTEL	35075
A1205G2191	Rockwell Standard	46300	A1205S747	Rockwell Standard	38780	A39522K	TROSTEL	48297
A1205G2191	Rockwell Standard	46304	A1205T1502	Rockwell Standard	31307	A3A0564001	Fruehauf	42625
A1205G293	Rockwell Standard	31244	A1205T1502	Rockwell Standard	31323	A45767K	TROSTEL	43860
A1205G631	Rockwell Standard	35066	A1205T1814	Rockwell Standard	50124	A45801K	TROSTEL	47699
A1205G735	Rockwell Standard	31307	A1205T666	Rockwell Standard	48690	A46509S	TROSTEL	42800
A1205G735	Rockwell Standard	31323	A1205T670	Rockwell Standard	44964	A46549	TROSTEL	45099
A1205H1100	Rockwell Standard	48690	A1205T722	Rockwell Standard	34387	A46848	TROSTEL	47699
A1205H1594	REO	43764	A1205U1061	Rockwell Standard	47697	A545634	Fruehauf	40136
A1205H1594	Rockwell Standard	43764	A1205U2101	Rockwell Standard	47696	A548796	Fruehauf	46390
A1205H2088	Rockwell Standard	35820	A1205U2194	Rockwell Standard	47692*	A549797	Fruehauf	46390
A1205H762	Rockwell Standard	48794	A1205U2194	Rockwell Standard	47695	A565634	Fruehauf	40136
A1205J1206	Rockwell Standard	48794	A1205U2205	Rockwell Standard	42627*	A64002	TROSTEL	1627*
A1205J2194	Rockwell Standard	47692*	A1205U2205	Rockwell Standard	42622	A64002	TROSTEL	1727**
A1205J2194	Rockwell Standard	47695	A1205U2491	Meritor	35066	A64005	TROSTEL	1789**
A1205J634	Rockwell Standard	42800	A1205U2491	Rockwell Standard	35066	A64007	TROSTEL	1732
A-1205-J-634	ROCKWELL	42800	A1205U697	Rockwell Standard	47699	A64010	TROSTEL	1730
A1205J738	Rockwell Standard	34387	A1205V1192	ROCKWELL	40086	A64011	TROSTEL	1738**
A1205K1285	Rockwell Standard	47697	A1205V1192	Rockwell Standard	40086	A64012	TROSTEL	1736**
A1205K2013	Rockwell Standard	40086	A1205V1660	Rockwell Standard	48796	A64013	TROSTEL	1642*
A-1205-K-2013	ROCKWELL	40086	A1205V2102	Rockwell Standard	28832	A64013	TROSTEL	1742**
A1205K937	Rockwell Standard	43752	A1205V2180	Rockwell Standard	47692*	A64015	TROSTEL	1737**

For in-text symbols, see page 5A.

Competitor & manufacturer interchange

Mfr no.	Mfr.	Part no.	Mfr no.	Mfr.	Part no.	Mfr no.	Mfr.	Part no.
A64016	TROSTEL	1595	A65068	TROSTEL	43752	A69503K	TROSTEL	35075
A64019	TROSTEL	1627*	A65069-W/A67036-J	TROSTEL	35066	A69505K	TROSTEL	46305
A64019	TROSTEL	1727**	A65070	TROSTEL	48000	A69507K	TROSTEL	35075
A64024	TROSTEL	1612*	A65072	TROSTEL	45160	A69508K	TROSTEL	35075
A64024	TROSTEL	1711**	A65072W	TROSTEL	45160	A69509K	TROSTEL	43752
A64031	TROSTEL	1768**	A65072-W/A63093-J	TROSTEL	45160	A69510K	TROSTEL	40136
A64034	TROSTEL	1670*	A65073	TRISEAL	35075	A69511K	TROSTEL	40136
A64034	TROSTEL	1770**	A65073W/67036	TROSTEL	35075	A69512K	TROSTEL	45162
A64036	TROSTEL	1702**	A65073-W/A67036-J	TROSTEL	35075	A69513K	TROSTEL	48298
A64042	TROSTEL	1665*	A65260-W/A63013-J	TROSTEL	40136	A69514K	TROSTEL	45162
A64042	TROSTEL	1765**	A65261-W/A63013-J	TROSTEL	40139	A69515K	TROSTEL	39380
A64046	TROSTEL	1643*	A65261-W/A63027-J	TROSTEL	40136	A69518K	TROSTEL	36274
A64046	TROSTEL	1743**	A65261-W/A63053-J	TROSTEL	40136	A69519K	TROSTEL	46390
A64049	TROSTEL	1704**	A65261-W/A63057-J	TROSTEL	40136	A69520K	TROSTEL	42623
A64050	TROSTEL	1665*	A65262-W/A63022-J	TROSTEL	46390	A69521K	TROSTEL	42624
A64050	TROSTEL	1765**	A65262-W/A63023-J	TROSTEL	42623	A69522K	TROSTEL	48297
A64051	TROSTEL	1721	A65262-W/A63041-J	TROSTEL	43800	A69525K	TROSTEL	40136
A64059	TROSTEL	1741**	A65263-W/A63036-J	TROSTEL	35066	A69535K	TROSTEL	46305
A64066	TROSTEL	1623*	A65264-W/A63004-J	TROSTEL	36274	A69536K	TROSTEL	43752
A64066	TROSTEL	1723**	A65265-W/A63036-J	TROSTEL	35075	A69593K	TROSTEL	40136
A64075	TROSTEL	1282^	A65267-W/A63018-J	TROSTEL	39380	A69594K	TROSTEL	46390
A64080	TROSTEL	1698*	A65267-W/A63029-J	TROSTEL	39380	A69596K	TROSTEL	42623
A64080	TROSTEL	1798**	A65267-W/A63059-J	TROSTEL	40086	A69597K	TROSTEL	40136
A64092	TROSTEL	1787**	A65268-W/A63021-J	TROSTEL	48297	A69598K	TROSTEL	46305
A64093	TROSTEL	1788**	A65268-W/A63085-J	TROSTEL	43875	A69599K	TROSTEL	43752
A64094	TROSTEL	1643*	A65269-W/A63095-J	TROSTEL	48884	A69603K	TROSTEL	31175
A64094	TROSTEL	1743**	A65270-W/A63093-J	TROSTEL	45099	A69604K	TROSTEL	31244
A64095	TROSTEL	1643*	A65271-W/A63023-J	TROSTEL	42624	A69605K	TROSTEL	36365
A64095	TROSTEL	1743**	A65272-W/A63093-J	TROSTEL	45160	A69608K	TROSTEL	40040
A64096	TROSTEL	1784	A65273-W/A63018-J	TROSTEL	39425	A69609K	TROSTEL	44922
A64098	TROSTEL	1691*	A65274-W/A63079-J	TROSTEL	48000	A69611K	TROSTEL	32470
A64098	TROSTEL	1790**	A65275-W/A63012-J	TROSTEL	38709	A69612K	TROSTEL	28820
A65000-W/A63009-J	TROSTEL	40040	A65276-W/A63008-J	TROSTEL	28832	A69614K	TROSTEL	36365
A65000-W/A63093-J	TROSTEL	44922	A65277-W/A63014-J	TROSTEL	42800	A69616K	TROSTEL	39988
A65001	TROSTEL	35075	A65278-W/A63007-J	TROSTEL	38780	A69617K	TROSTEL	35075
A65001-W/A63010-J	TROSTEL	35075	A65279-W/A63017-J	TROSTEL	32470	A69619K	TROSTEL	48794
A65001-W/A63036-J	TROSTEL	35075	A65280-W/A63008-J	TROSTEL	28820	A69620K	TROSTEL	39380
A65003	TROSTEL	46305	A65281-W/A63052-J	TROSTEL	31175	A69621K	TROSTEL	31244
A65003-W/A63048-J	TROSTEL	46305	A65282-W/A63020-J	TROSTEL	36365	A69622K	TROSTEL	36285
A65005	TROSTEL	31175	A65283-W/A63079-J	TROSTEL	47699	A69623K	TROSTEL	35060
A65005-W/A63052-J	TROSTEL	31175	A65283-W/A63087-J	TROSTEL	45152	A69624K	TROSTEL	36285
A65018	TROSTEL	31307	A65284-W/A63026-J	TROSTEL	43860	A69625K	TROSTEL	35060
A65018	TROSTEL	31323	A65284W63026	TROSTEL	43860	A69626K	TROSTEL	35066
A65028	TROSTEL	48297	A65285-W/A63026-J	TROSTEL	43865	A69627K	TROSTEL	43764
A65028-W/A63031-J	TROSTEL	48297	A65287-W/A63028-J	TROSTEL	48794	A69628K	TROSTEL	39988
A65029	TROSTEL	42672	A65288-W/A63036-J	TROSTEL	35075	A69629K	TROSTEL	43800
A65030	TROSTEL	52660	A65289-W/A63033-J	TROSTEL	36285	A69639K	TROSTEL	28832
A65030-W/A63007-J	TROSTEL	52660	A65289-W/A63036-J	TROSTEL	35075	A69640K	TROSTEL	48796
A65044	TROSTEL	50124	A65289-W/A67036-J	TROSTEL	35075	A69689K	TROSTEL	36365
A65044-W/A63007-J	TROSTEL	50124	A65290-W/A63037-J	TROSTEL	43764	A69690K	TROSTEL	48794
A65044-W/A63018-J	TROSTEL	39425	A65291-W/A63034-J	TROSTEL	36285	A69695K	TROSTEL	28832
A65052W/63091	TROSTEL	38780	A65292-W/A63035-J	TROSTEL	35060	A69696K	TROSTEL	45103
A65052W/63091GMC	TROSTEL	38750	A65293-W/A63050-J	TROSTEL	31244	A69697K	TROSTEL	43764
A65052W/63091IHC	TROSTEL	38747	A65294-W/A63011-J	TROSTEL	39988	A69698K	TROSTEL	43800
A65052-W/A63091-J	TROSTEL	38780	A65294-W/A63038-J	TROSTEL	39988	A69699K	TROSTEL	35066
A65054	TROSTEL	39425	A65296-W/A63030-J	TROSTEL	31244	A69701K	TROSTEL	48884
A65054-W/A63018-J	TROSTEL	39425	A65297-W/A63028-J	TROSTEL	48792	A69702K	TROSTEL	45099
A65055	TROSTEL	28832	A65298-W/A63037-J	TROSTEL	43752	A69703K	TROSTEL	45160
A65055-W/A63008-J	TROSTEL	28832	A65299-W/A63028-J	TROSTEL	48796	A69705K	TROSTEL	38709
A65056W/A67090JRING	TROSTEL	47697	A65299-W/A63043-J	TROSTEL	45162	A69707K	TROSTEL	42800
A65056W/A67094J	TROSTEL	47697	A65299-W/A63044-J	TROSTEL	45162	A69711K	TROSTEL	39380
A65060	TROSTEL	46305	A68101	TROSTEL	1785	A69712K	TROSTEL	48792
A65060W	TROSTEL	46305	A68102	TROSTEL	1786	A69713K	TROSTEL	48297
A65065	TROSTEL	48000	A6864D60	FM SEAL & BRG	38750	A69714K	TROSTEL	48000
A65065W	TROSTEL	48000	A6864D60	TIMKEN SEALS	38750	A69716K	TROSTEL	47699
			A69501K	TROSTEL	40136	A69717	TROSTEL	43860

For in-text symbols, see page 5A.

Competitor & manufacturer interchange

Mfr no.	Mfr.	Part no.	Mfr no.	Mfr.	Part no.	Mfr no.	Mfr.	Part no.
A69717K	TROSTEL	43860	AND93812	Fruehauf	42627*	B370047BG	FM SEAL & BRG	34387
A69722K	TROSTEL	45152	AND93812	Fruehauf	42622	B370047BG	TIMKEN SEALS	34384*
A69724K	TROSTEL	40136	A05-9100	PAI	42623	B370047BG	TIMKEN SEALS	34386
A69725K	TROSTEL	34387	A059151	PAI	39988	B370047BG	TIMKEN SEALS	34387
A69730K	TROSTEL	31307	A05-9151-CR	PAI	39988	B370048BG	FM SEAL & BRG	43764
A69730K	TROSTEL	31323	A05-9152	PAI	43764	B370048BG	TIMKEN SEALS	43764
A69743K	TROSTEL	42550	A059155	PAI	43752	B370066BG	FM SEAL & BRG	40086
A69746K	TROSTEL	52660	AQA25011	Freightliner	1796**	B370066BG	FM SEAL & BRG	40088
A69749K	TROSTEL	43860	AQA25011	Fruehauf	1796**	B370066BG	TIMKEN SEALS	40086
A69750K	TROSTEL	50124	AR1	FM SEAL & BRG	455036	B370066BG	TIMKEN SEALS	40088
A69754K	TROSTEL	38780	AR1	TIMKEN SEALS	455036	B370106BG	FM SEAL & BRG	42550
A69754K-GMC	TROSTEL	38750	AR12	FM SEAL & BRG	455031	B370106BG	TIMKEN SEALS	42550
A69754K-IHC	TROSTEL	38747	AR12	TIMKEN SEALS	455031	B370121BG	FM SEAL & BRG	48884
A69755K	TROSTEL	39425	AR2	FM SEAL & BRG	450208	B370121BG	TIMKEN SEALS	48884
A69756K	TROSTEL	47697	AR2	TIMKEN SEALS	450208	B370124BG	FM SEAL & BRG	44916
A69757K	TROSTEL	48000	AR21W/370106A	FM SEAL & BRG	453674	B370124BG	FM SEAL & BRG	44919
A69758K	TROSTEL	42800	AR21W/370106A	TIMKEN SEALS	453674	B370124BG	FM SEAL & BRG	44922
A69781K	TROSTEL	52658	AR23	FM SEAL & BRG	455054	B370124BG	TIMKEN SEALS	44916
A69782K	TROSTEL	48884	AR23	TIMKEN SEALS	455054	B370124BG	TIMKEN SEALS	44919
A69783K	TROSTEL	48884	AUA1803	Fruehauf	40136	B370124BG	TIMKEN SEALS	44922
A69784K	TROSTEL	48884	AXA0043	Freightliner	42623	B370131BG	FM SEAL & BRG	45103
A69785K	TROSTEL	34387	AXA0043	Fruehauf	42623	B370131BG	TIMKEN SEALS	45103
A69786K	TROSTEL	35000	AXA0043-X	Fruehauf	42625	B370150BG	FM SEAL & BRG	28758
A69787K	TROSTEL	39425	AXA043	Freightliner	42623	B370150BG	FM SEAL & BRG	28759
A69789K	TROSTEL	47699	AXA043	Freightliner	42623	B370150BG	TIMKEN SEALS	28758
A69791K	TROSTEL	45160	AXL0118	Walker O.S.	42623	B370150BG	TIMKEN SEALS	28759
A69793K	TROSTEL	45099	AXL0130	Walker O.S.	46305	B370211VG0	FM SEAL & BRG	29400
A69795K	TROSTEL	42800	B166564	Heil	40136	B370211VG0	FM SEAL & BRG	29480
A69797K	TROSTEL	43860	B2155BJ	FM SEAL & BRG	39425	B370211VG0	TIMKEN SEALS	29400
A69798K	TROSTEL	48000	B2155BJ	TIMKEN SEALS	39425	B370211VG0	TIMKEN SEALS	29480
A69799K	TROSTEL	47697	B23377	White Truck	35060	B370352BG	FM SEAL & BRG	27438
A9400002001	Autocar	35058*	B370003BG	FM SEAL & BRG	47697	B370352BG	TIMKEN SEALS	27438
A9400003001	Autocar	43761*	B370003BG3	FM SEAL & BRG	47692*	B4Q1175A	Ford	34387
A9410003001	Autocar	47692*	B370003BG3	FM SEAL & BRG	47697	B5QH1190A	Ford	35066
A-CA5207	Fruehauf	42623	B370005BG	FM SEAL & BRG	48000	B6J1175A	Ford	31307
A-CA5207-1	Fruehauf	42623	B370005BG	TIMKEN SEALS	48000	B6J1175A	Ford	31323
ACE5517-2	Fruehauf	42623	B370009BG	FM SEAL & BRG	39420	B6Q1175A	Ford	34387
ACE-SS17-2	Fruehauf	42623	B370009BG	TIMKEN SEALS	39420	B7785	White Truck	35060
ACF-65621	Fruehauf	42622	B370011BGR	FM SEAL & BRG	36365	B8QH1175A	Ford	45160
ACF-65621	Fruehauf	42622	B370011BGR	TIMKEN SEALS	36365	B8QH1175B	Ford	48884
ACF-82951	Fruehauf	46300	B370012BG0	FM SEAL & BRG	36285	B8QH1190A	Ford	39380
ACF-82951	Fruehauf	46304	B370012BG0	TIMKEN SEALS	36285	BB1175C	Ford	31307
AE75709-1	Hendrickson	48794	B370014BG	FM SEAL & BRG	31281	BB1175C	Ford	31323
AE75709-10	Hendrickson	35066	B370014BG	TIMKEN SEALS	31281	BBJ1175C	Ford	31307
AE75709-11	Hendrickson	43764	B370018BG	FM SEAL & BRG	32470	BBJ1175C	Ford	31323
AE75709-2	Hendrickson	35066	B370020BG	FM SEAL & BRG	43800	BOS6970	PAI	52658
AE75709-5	Hendrickson	42800	B370020BG	TIMKEN SEALS	43800	BOS-6971	PAI	52658
AE75709-6	Hendrickson	38780	B370021BG2	FM SEAL & BRG	45158	BOS6980	PAI	42672
AE75709-7	Hendrickson	43860	B370021BG2	FM SEAL & BRG	45160	BOS-6981	PAI	48000
AE75709-8	Hendrickson	45160	B370021BG2	TIMKEN SEALS	45158	BOS6990	PAI	50190
AE75709-9	Hendrickson	48794	B370022BG	FM SEAL & BRG	45099	BOS6991	PAI	47697
AE75710-1	Hendrickson	1790**	B370022BG	TIMKEN SEALS	45160	BOS-6992	PAI	48792
AE75710-10	Hendrickson	1787**	B370022BG	TIMKEN SEALS	45099	BOS6993	PAI	47697
AE75710-2	Hendrickson	1743**	B370025BGR	FM SEAL & BRG	46305	BOS-6993-CR	PAI	47697
AE75710-4	Hendrickson	1787**	B370025BGR	TIMKEN SEALS	46305	BOS7260	PAI	45099
AE75710-7	Hendrickson	1790**	B370036BG	FM SEAL & BRG	40129*	BOS-7260-CR	PAI	45099
AE75710-8	Hendrickson	1743**	B370036BG	FM SEAL & BRG	40133	BOS7261	PAI	45099
AFD2380-1	Fruehauf	40136	B370036BG	FM SEAL & BRG	40136	BOS-7262	PAI	46305
AHS9884	PAI	1612*	B370036BG	FM SEAL & BRG	40139	BOS-7264-CR	PAI	46305
AHS-9895	PAI	1643*	B370036BG	TIMKEN SEALS	40129*	BOS7560	PAI	50124
AHS-9896	PAI	1743**	B370036BG	TIMKEN SEALS	40133	BOS7610	PAI	42672
AHS9960	PAI	1769**	B370036BG	TIMKEN SEALS	40136	BOS-7610-CR	PAI	42672
AHS9961CR	PAI	1644*	B370036BG	TIMKEN SEALS	40139	BOS-7611	PAI	42672
AND82702	Fruehauf	1796**	B370047BG	FM SEAL & BRG	34384*	BOS-7615	PAI	43860
AND93801	Fruehauf	1796**	B370047BG	TIMKEN SEALS	34384*	BOS7780	PAI	42672
AND9380-3	Freightliner	1796**	B370047BG	TIMKEN SEALS	34386	BOS7780	PAI	45160

For in-text symbols, see page 5A.

Competitor & manufacturer interchange

Mfr no.	Mfr.	Part no.	Mfr no.	Mfr.	Part no.	Mfr no.	Mfr.	Part no.
C2TA3800-7C	Ford	48794	C9HS1190A	Ford	48794	CHR 1744	Freightliner	1744**
C2TA4A052A	Ford	45160	C9HS1190F	Ford	35066	CHR 1753	Freightliner	1753**
C2TS3800-7A	Ford	48794	C9HS4A052A2	Ford	43860	CHR 1754	Freightliner	1754**
C2TS4A052A	Ford	38780	C9HS4A052B2	Ford	39380	CHR 1765	Freightliner	1765**
C2TS4A052B	Ford	39380	C9HZ1175A	Ford	43860	CHR 1768	Freightliner	1768**
C3TA1175F	Ford	39425	C9HZ1175B	Ford	45160	CHR 1770	Freightliner	1770**
C3TA1175FA	Ford	39420	C9HZ1175E	Ford	31307	CHR 1787	Freightliner	1787**
C3TS3800-7A	Ford	39380	C9HZ1175E	Ford	31323	CHR 1788	Freightliner	1788**
C3TS3800-7B	Ford	39380	C9HZ1175F	Ford	31307	CHR 1790	Freightliner	1790**
C3TS3800-7C	Ford	35066	C9HZ1175F	Ford	31323	CHR 1796	Freightliner	1796**
C3TS3800-7D	Ford	35066	C9TA1173B	Ford	34387	CHR 1798	Freightliner	1798**
C3TS3800-7E	Ford	48794	C9TA1173F	Ford	39380	CHR 1799	Freightliner	1799**
C3TS4A052A	Ford	43860	C9TA1175G	Ford	34387	CHR 27438	Freightliner	27438
C3TS4A052E	Ford	40136	C9TA1175H	Ford	34387	CHR 28758	Freightliner	28758
C3TZ1190C	Ford	28820	C9TA1175J	Ford	39380	CHR 28759	Freightliner	28759
C3TZ1190S	Ford	28820	C9TA1175K	Ford	39380	CHR 28820	Freightliner	28820
C4TA1190A	Ford	48794	C9TA1175L	Ford	38780	CHR 28832	Freightliner	28832
C4TS3800-7B	Ford	35066	C9TA1175M	Ford	38780	CHR 31175	Freightliner	31175
C5TA1190B	Ford	43764	C9TA1175N	Ford	39425	CHR 31244	Freightliner	31244
C5TS3800-7B	Ford	28820	C9TA1175R	Ford	39425	CHR 31266	Freightliner	31266
C5TS3800-7C	Ford	28820	CHR 1282	Freightliner	1282^	CHR 31281	Freightliner	31281
C5TS3800-7D	Ford	48794	CHR 1283	Freightliner	1283^	CHR 31307	Freightliner	31307
C5TZ1190B	Ford	43764	CHR 1300	Freightliner	1300	CHR 31307	Freightliner	31323
C6TS3B007A	Ford	35066	CHR 1300	Freightliner	1327	CHR 32470	Freightliner	32470
C6TS3B007E	Ford	35066	CHR 1305	Freightliner	1305	CHR 332	Freightliner	332
C6TS4A052B	Ford	47699	CHR 1310	Freightliner	1310+	CHR 34384	Freightliner	34384*
C6TS4A052D	Ford	34387	CHR 1311	Freightliner	1311+	CHR 34386	Freightliner	34386*
C6TS4A052F	Ford	45160	CHR 1311	Freightliner	1326+	CHR 34386	Freightliner	34386
C7TS3800-7A	Ford	35066	CHR 1331	Freightliner	1331+	CHR 34387	Freightliner	34387
C7TS3B007B	Ford	48794	CHR 1343	Freightliner	1343+	CHR 34971	Freightliner	34971
C7TS4A052A	Ford	48884	CHR 1362	Freightliner	1362+	CHR 34972	Freightliner	34971
C8HA1173A	Ford	43860	CHR 1396	Freightliner	1396	CHR 34972	Freightliner	34972
C8HA1173B	Ford	43860	CHR 1399	Freightliner	1399+	CHR 34975	Freightliner	34975
C8HA1173C	Ford	45160	CHR 1600	Freightliner	1600	CHR 34994	Freightliner	34994
C8HA1173D	Ford	45160	CHR 1601	Freightliner	1601	CHR 34999	Freightliner	34994
C8HA1175A	Ford	43860	CHR 1608	Freightliner	1608	CHR 34999	Freightliner	34999
C8HA1175B	Ford	43860	CHR 1612	Freightliner	1612*	CHR 35000	Freightliner	35000
C8HA1175C	Ford	45160	CHR 1613	Freightliner	1613*	CHR 35058	Freightliner	35058*
C8HA1175D	Ford	45160	CHR 1623	Freightliner	1623*	CHR 35059	Freightliner	35058*
C8HS4A052D	Ford	31307	CHR 1627	Freightliner	1627*	CHR 35059	Freightliner	35059
C8HS4A052D	Ford	31323	CHR 1630	Freightliner	1630*	CHR 35060	Freightliner	35060
C8HS4A052H	Ford	42800	CHR 1640	Freightliner	1640*	CHR 35066	Freightliner	35066
C8HZ1175A	Ford	43860	CHR 1642	Freightliner	1642*	CHR 35072	Freightliner	35072
C8HZ1175B	Ford	45160	CHR 1643	Freightliner	1643*	CHR 35075	Freightliner	35075
C8TA1173E	Ford	39380	CHR 1644	Freightliner	1644*	CHR 351	Freightliner	351
C8TA1175C	Ford	34387	CHR 1665	Freightliner	1665*	CHR 35102	Freightliner	35102
C8TA1175D	Ford	34387	CHR 1669	Freightliner	1669*	CHR 35103	Freightliner	35103
C8TA1175E	Ford	39380	CHR 1670	Freightliner	1670*	CHR 352	Freightliner	352
C8TA1175F	Ford	39380	CHR 1681	Freightliner	1681*	CHR 353	Freightliner	353
C8TA1175G	Ford	38780	CHR 1682	Freightliner	1682*	CHR 359	Freightliner	359
C8TZ1175A	Ford	31307	CHR 1691	Freightliner	1691*	CHR 360	Freightliner	360
C8TZ1175A	Ford	31323	CHR 1694	Freightliner	1694*	CHR 361	Freightliner	361
C8TZ1175B	Ford	34387	CHR 1696	Freightliner	1696*	CHR 362	Freightliner	362
C8TZ1175C	Ford	39380	CHR 1697	Freightliner	1697*	CHR 36285	Freightliner	36285
C8TZ1175D	Ford	38780	CHR 1698	Freightliner	1698*	CHR 363	Freightliner	363
C9HA1173A	Ford	43860	CHR 1702	Freightliner	1702**	CHR 36357	Freightliner	36357
C9HA1173B	Ford	45160	CHR 1703	Freightliner	1703**	CHR 36358	Freightliner	36358
C9HA1175A	Ford	43860	CHR 1711	Freightliner	1711**	CHR 36365	Freightliner	36365
C9HA1175B	Ford	43860	CHR 1715	Freightliner	1715**	CHR 383	Freightliner	383
C9HA1175C	Ford	45160	CHR 1720	Freightliner	1720**	CHR 384	Freightliner	384
C9HA1175D	Ford	45160	CHR 1723	Freightliner	1623*	CHR 386	Freightliner	386
C9HA1190A	Ford	28832	CHR 1723	Freightliner	1723**	CHR 387	Freightliner	387
C9HA1190B	Ford	48794	CHR 1727	Freightliner	1727**	CHR 38709	Freightliner	38709
C9HA1131A	Ford	1787**	CHR 1733	Freightliner	1733**	CHR 38736	Freightliner	38736
C9HS1131B	Ford	1790**	CHR 1742	Freightliner	1742**	CHR 38747	Freightliner	38747
C9HS1131C	Ford	1788**	CHR 1743	Freightliner	1743**	CHR 38748	Freightliner	38748

For in-text symbols, see page 5A.

Competitor & manufacturer interchange

Mfr no.	Mfr.	Part no.	Mfr no.	Mfr.	Part no.	Mfr no.	Mfr.	Part no.
CHR 38750	Freightliner	38750	CHR 450237	Freightliner	450237	CHR 453818	Freightliner	453818
CHR 38776	Freightliner	38776	CHR 450238	Freightliner	450319	CHR 453825	Freightliner	453825
CHR 38779	Freightliner	38776•	CHR 450293	Freightliner	450293	CHR 453868	Freightliner	453868
CHR 38779	Freightliner	38779	CHR 450434	Freightliner	450434	CHR 453869	Freightliner	453869
CHR 38780	Freightliner	38780	CHR 450437	Freightliner	1769**	CHR 453879	Freightliner	453879
CHR 38782	Freightliner	38782	CHR 450566	Freightliner	450566	CHR 453906	Freightliner	453906
CHR 38783	Freightliner	38783	CHR 450617	Freightliner	450617	CHR 453909	Freightliner	453909
CHR 388	Freightliner	388	CHR 450737	Freightliner	450737	CHR 453912	Freightliner	453912
CHR 39380	Freightliner	39380	CHR 450741	Freightliner	450741	CHR 453915	Freightliner	453915
CHR 39420	Freightliner	39420	CHR 450744	Freightliner	450744	CHR 453918	Freightliner	453918
CHR 39425	Freightliner	39425	CHR 450747	Freightliner	450747	CHR 453926	Freightliner	453926
CHR 39426	Freightliner	39426	CHR 450748	Freightliner	450748	CHR 453932	Freightliner	1642*
CHR 39977	Freightliner	39977	CHR 450749	Freightliner	450749	CHR 453942	Freightliner	453942
CHR 39977	Freightliner	39979	CHR 450751	Freightliner	450751	CHR 453963	Freightliner	453963
CHR 39988	Freightliner	39988	CHR 450752	Freightliner	450752	CHR 454051	Freightliner	454051
CHR 39990	Freightliner	39990	CHR 450755	Freightliner	450755	CHR 455001	Freightliner	455001
CHR 40040	Freightliner	40040	CHR 450757	Freightliner	450757	CHR 455002	Freightliner	455002
CHR 40086	Freightliner	40086	CHR 450760	Freightliner	450760	CHR 455003	Freightliner	455003
CHR 40088	Freightliner	40088	CHR 450765	Freightliner	450765	CHR 455004	Freightliner	455004
CHR 40129	Freightliner	40129•	CHR 450768	Freightliner	450768	CHR 455005	Freightliner	455005
CHR 40133	Freightliner	40129•	CHR 450771	Freightliner	450771	CHR 455006	Freightliner	455006
CHR 40133	Freightliner	40133	CHR 450772	Freightliner	450772	CHR 455007	Freightliner	455007
CHR 40136	Freightliner	40136	CHR 450775	Freightliner	450775	CHR 455009	Freightliner	455009
CHR 40139	Freightliner	40139	CHR 450777	Freightliner	450777	CHR 455010	Freightliner	455010
CHR 40146	Freightliner	40146	CHR 450778	Freightliner	450778	CHR 455011	Freightliner	455011
CHR 42550	Freightliner	42550	CHR 450781	Freightliner	450781	CHR 455013	Freightliner	455013
CHR 42622	Freightliner	42627•	CHR 450782	Freightliner	450782	CHR 455014	Freightliner	455014
CHR 42622	Freightliner	42622	CHR 450788	Freightliner	450788	CHR 455019	Freightliner	455019
CHR 42623	Freightliner	42623	CHR 450799	Freightliner	450799	CHR 455023	Freightliner	455023
CHR 42624	Freightliner	42624	CHR 450802	Freightliner	450802	CHR 455024	Freightliner	455024
CHR 42625	Freightliner	42625	CHR 450874	Freightliner	450874	CHR 455026	Freightliner	455026
CHR 42627	Freightliner	42627•	CHR 450875	Freightliner	450875	CHR 455031	Freightliner	455031
CHR 42631	Freightliner	42631	CHR 450876	Freightliner	450876	CHR 455034	Freightliner	455034
CHR 42671	Freightliner	42673	CHR 450877	Freightliner	450877	CHR 455035	Freightliner	455035
CHR 42672	Freightliner	42672	CHR 450878	Freightliner	450878	CHR 455036	Freightliner	455036
CHR 42673	Freightliner	42673	CHR 450879	Freightliner	450879	CHR 455037	Freightliner	455037
CHR 427	Freightliner	427	CHR 45093	Freightliner	45093	CHR 455050	Freightliner	455050
CHR 428	Freightliner	428	CHR 45095	Freightliner	45095	CHR 455052	Freightliner	455052
CHR 42800	Freightliner	42800	CHR 45097	Freightliner	45093	CHR 455054	Freightliner	455054
CHR 429	Freightliner	429	CHR 45097	Freightliner	45097	CHR 456144	Freightliner	456144
CHR 435	Freightliner	435	CHR 450980	Freightliner	450980	CHR 456301	Freightliner	456301
CHR 436	Freightliner	436	CHR 450981	Freightliner	450981	CHR 457	Freightliner	457
CHR 43752	Freightliner	43752	CHR 450982	Freightliner	450982	CHR 461	Freightliner	461
CHR 43754	Freightliner	43754	CHR 450983	Freightliner	450983	CHR 462	Freightliner	462
CHR 43761	Freightliner	43761•	CHR 450984	Freightliner	450984	CHR 463	Freightliner	463
CHR 43763	Freightliner	43761•	CHR 450985	Freightliner	450985	CHR 46300	Freightliner	46300
CHR 43763	Freightliner	43763	CHR 45099	Freightliner	45099	CHR 46304	Freightliner	46300
CHR 43764	Freightliner	43764	CHR 451	Freightliner	451	CHR 46304	Freightliner	46304
CHR 43800	Freightliner	43800	CHR 45102	Freightliner	45095	CHR 46305	Freightliner	46305
CHR 43860	Freightliner	43860	CHR 45102	Freightliner	45102	CHR 46306	Freightliner	46306
CHR 43861	Freightliner	43861	CHR 45103	Freightliner	45103	CHR 46308	Freightliner	46308
CHR 43865	Freightliner	43865	CHR 45108	Freightliner	45108	CHR 46390	Freightliner	46390
CHR 43875	Freightliner	43875	CHR 45152	Freightliner	45152	CHR 46396	Freightliner	46396
CHR 441	Freightliner	441	CHR 45157	Freightliner	45157	CHR 465	Freightliner	465
CHR 445	Freightliner	445	CHR 45158	Freightliner	45158	CHR 472	Freightliner	472
CHR 446	Freightliner	446	CHR 45160	Freightliner	45160	CHR 472	Freightliner	473
CHR 448	Freightliner	448	CHR 45162	Freightliner	45162	CHR 47245	Freightliner	47245
CHR 449	Freightliner	449	CHR 45163	Freightliner	45163	CHR 474	Freightliner	474
CHR 44916	Freightliner	44916	CHR 452	Freightliner	452	CHR 47483	Freightliner	47483
CHR 44919	Freightliner	44916	CHR 453	Freightliner	453	CHR 47690	Freightliner	47690
CHR 44919	Freightliner	44919	CHR 453674	Freightliner	453674	CHR 47691	Freightliner	47691
CHR 44922	Freightliner	44922	CHR 453770	Freightliner	453770	CHR 47692	Freightliner	47692•
CHR 44963	Freightliner	44963	CHR 453795	Freightliner	453795	CHR 47693	Freightliner	47693
CHR 44964	Freightliner	44964	CHR 453807	Freightliner	453807	CHR 47694	Freightliner	47691
CHR 45010	Freightliner	45010	CHR 453811	Freightliner	453811	CHR 47694	Freightliner	47694
CHR 450208	Freightliner	450208	CHR 453813	Freightliner	453813	CHR 47695	Freightliner	47692•

For in-text symbols, see page 5A.

Competitor & manufacturer interchange

Mfr no.	Mfr.	Part no.	Mfr no.	Mfr.	Part no.	Mfr no.	Mfr.	Part no.
CHR 47695	Freightliner	47691	CHR1743	Freightliner	1743**	DOTZ1175D	Ford	38780
CHR 47695	Freightliner	47695	CHR1770	Freightliner	1770**	D1HA1190AA	Ford	35066
CHR 47696	Freightliner	47696	CHR39979	Freightliner	39979	D1HA1190BA	Ford	48796
CHR 47697	Freightliner	47697	CR1612	Kenworth	1612*	D1HA1190DA	Ford	48794
CHR 47698	Freightliner	47698	CR1612	Peterbilt	1612*	D1HS1175BA	Ford	43860
CHR 47699	Freightliner	47699	CR1613	Peterbilt	1613*	D1HS1175CA	Ford	42800
CHR 48000	Freightliner	48000	CR1644	Kenworth	1644*	D1HS1190AA	Ford	34975
CHR 48001	Freightliner	48001	CR1691	Kenworth	1691*	D1HZ1190A	Ford	35066
CHR 48001	Freightliner	48002	CR1691	Peterbilt	1691*	D1HZ1190B	Ford	48796
CHR 48002	Freightliner	48002	DOHA1131L	Ford	1713	D29652439	Kenworth	47697
CHR 48297	Freightliner	48297	DOHA1131N	Ford	1743**	D2HS1175AA	Ford	43860
CHR 48298	Freightliner	48298	DOHA1131R	Ford	1785	D2HS1175BA	Ford	43860
CHR 484	Freightliner	484	DOHA1131S	Ford	1708	D2HS1190AA	Ford	43764
CHR 48690	Freightliner	48690	DOHA1131T	Ford	1715**	D3BA1175AA	Ford	43860
CHR 48691	Freightliner	48691	DOHA1131U	Ford	1711**	D3HA1175A	Ford	45160
CHR 48792	Freightliner	48792	DOHA1131V	Ford	1781**	D3HA1175AA	Ford	38780
CHR 48794	Freightliner	48794	DOHA1173A	Ford	31307	D3HA1175BA	Ford	43860
CHR 48796	Freightliner	48796	DOHA1173A	Ford	31323	D3HA1175CA	Ford	45160
CHR 48884	Freightliner	48884	DOHA1173B	Ford	34387	D3HA1175DA	Ford	45160
CHR 50124	Freightliner	50124	DOHA1173C	Ford	39425	D3HA1190B1A	Ford	43764
CHR 50190	Freightliner	50190	DOHA1173E	Ford	43860	D3HA1190B2A	Ford	43764
CHR 52658	Freightliner	52658	DOHA1173F	Ford	45160	D3HS1175BA	Ford	38736
CHR 52664	Freightliner	52664	DOHA1175B	Ford	34387	D3HS1175CA	Ford	43860
CHR 538739	51 Freightliner	1643*	DOHA1175C	Ford	38780	D3HS1175DA	Ford	45160
CHR 629	Freightliner	649	DOHA1175D	Ford	43860	D3HS1190AA	Ford	35060
CHR 700	Freightliner	700	DOHA1175E	Ford	45160	D3HZ1175A	Ford	47697
CHR 701	Freightliner	701	DOHA1175F	Ford	39425	D3HZ1175BA	Ford	43860
CHR 702	Freightliner	702	DOHA1190L	Ford	39380	D3TA1175AA	Ford	31307
CHR 703	Freightliner	703	DOHA1190M	Ford	43764	D3TA1175AA	Ford	31323
CHR 704	Freightliner	704	DOHA1190N	Ford	28820	D3TA1175BA	Ford	31307
CHR 705	Freightliner	705	DOHA1190R	Ford	35066	D3TA1175BA	Ford	31323
CHR 706	Freightliner	706	DOHA1190S	Ford	28832	D3TA1175HA	Ford	38780
CHR 707	Freightliner	707	DOHA1190T	Ford	48794	D3TA1175TA	Ford	45160
CHR 708	Freightliner	708	DOHS1175C	Ford	45160	D3TA1190BA	Ford	34975
CHR 709	Freightliner	709	DOHS1175D	Ford	45160	D3TA1190BZA	Ford	35066
CHR 710	Freightliner	710	DOHS1175E	Ford	38780	D3TZ1175E	Ford	39425
CHR 711	Freightliner	711	DOHS1190A	Ford	28832	D4HS1131AA	Ford	1743**
CHR 712	Freightliner	712	DOHS1190B	Ford	35066	D4HS1175AA	Ford	46305
CHR 713	Freightliner	713	DOHZ1131A	Ford	1708	D4HS1175BA	Ford	45160
CHR 714	Freightliner	714	DOHZ1131B	Ford	1781**	D5HA1175AA	Ford	47697
CHR 715	Freightliner	715	DOHZ1131C	Ford	1711**	D5HA1175BA	Ford	47697
CHR 716	Freightliner	716	DOHZ1131D	Ford	1788**	D5HA1175CA	Ford	47697
CHR 717	Freightliner	717	DOHZ1131E	Ford	1790**	D5HZ1175A	Ford	47697
CHR 717152	Freightliner	717152	DOHZ1131F	Ford	1787**	D5HZ1175A1A	Ford	47697
CHR 717153	Freightliner	717153	DOHZ1131G	Ford	1715**	D5HZ1175AA	Ford	47697
CHR 717155	Freightliner	717155	DOHZ1131J	Ford	1742**	D5HZ1190A	Ford	34975
CHR 717156	Freightliner	717156	DOHZ1131K	Ford	1785	D5HZ1190C	Ford	43764
CHR 717157	Freightliner	717157	DOHZ1131L	Ford	1743**	D5HZ1190D	Ford	43764
CHR 717158	Freightliner	717158	DOHZ1175A	Ford	31307	D5TZ1190D	Ford	43764
CHR 717306	Freightliner	717306	DOHZ1175A	Ford	31323	D7HA1173A1A	Ford	47697
CHR 717307	Freightliner	717307	DOHZ1175B	Ford	34387	D7HA1175A	Ford	47697
CHR 718	Freightliner	718	DOHZ1175C	Ford	39425	D7HS1190AA	Ford	34975
CHR 719	Freightliner	719	DOHZ1175D	Ford	38780	D7HT1175BA	Ford	48884
CHR 719021	Freightliner	719021	DOHZ1175E	Ford	43860	D7HT4A423AA	Ford	455019
CHR 721	Freightliner	721	DOHZ1175F	Ford	45160	D7HZ1175D	Ford	47697
CHR 722	Freightliner	722	DOHZ1190A	Ford	28832	D7HZ1175E	Ford	48884
CHR 723	Freightliner	723	DOHZ1190B	Ford	35066	D9HS1190BA	Ford	28832
CHR 724	Freightliner	724	DOHZ1190C	Ford	48796	DR-11-RK	Mechanix/Barrier	47697
CHR 730	Freightliner	730	DOHZ1190D	Ford	39380	DR-12-RK	Mechanix/Barrier	45160
CHR 731	Freightliner	731	DOHZ1190E	Ford	43764	DR-13-RK	Mechanix/Barrier	48000
CHR 732	Freightliner	732	DOHZ1S175A	Ford	31307	DR-14-RK	Mechanix/Barrier	38750
CHR 733	Freightliner	733	DOHZ1S175A	Ford	31323	DR-1501	Mechanix/Barrier	48297
CHR1311	Freightliner	1311+	DOTZ1175A	Ford	31307	DR-1502	Mechanix/Barrier	48884
CHR1311	Freightliner	1326+	DOTZ1175A	Ford	31323	DR-1503	Mechanix/Barrier	48884
CHR1703	Freightliner	1703**	DOTZ1175B	Ford	34387	DR-1504	Mechanix/Barrier	48884
CHR1711	Freightliner	1711**	DOTZ1175C	Ford	39380	DR-1505	Mechanix/Barrier	42800

For in-text symbols, see page 5A.

Competitor & manufacturer interchange

Mfr no.	Mfr.	Part no.	Mfr no.	Mfr.	Part no.	Mfr no.	Mfr.	Part no.
DR-1506	Mechanix/Barrier	39380	DRE-4515	Mechanix/Barrier	38750	E2HT1190BA	Ford	43761•
DR-1507	Mechanix/Barrier	39380	DRE-4516	Mechanix/Barrier	38780	E2HT1190BA	Ford	43763
DR-1508	Mechanix/Barrier	47699	DRE-4517	Mechanix/Barrier	38780	E2HT1190BA	Ford	43764
DR-1509	Mechanix/Barrier	43764	DRE-4518	Mechanix/Barrier	38780	E2HZ1177A	Ford	47697
DR-1510	Mechanix/Barrier	43764	DRE-4519	Mechanix/Barrier	38780	E3HZ1190B	Ford	35066
DR-1511	Mechanix/Barrier	47697	DRE-4520	Mechanix/Barrier	38780	E3HZ1190C	Ford	43764
DR-1512	Mechanix/Barrier	45160	DRE-4521	Mechanix/Barrier	38780	E4HT1175AA	Ford	47697
DR-1513	Mechanix/Barrier	48000	DRE-4522	Mechanix/Barrier	43865	E4HT1175B	Ford	47697
DR-1514	Mechanix/Barrier	48000	DRE-4523	Mechanix/Barrier	42672	E4HZ1175A	Ford	31307
DR-1515	Mechanix/Barrier	43860	DRE-4524	Mechanix/Barrier	40136	E4HZ1175A	Ford	31323
DR-1516	Mechanix/Barrier	38780	DRE-4525	Mechanix/Barrier	45099	E4HZ1175B	Ford	47697
DR-1517	Mechanix/Barrier	38709	DRE-4526	Mechanix/Barrier	48792	E5HT1175AA	Ford	47692•
DR-1518	Mechanix/Barrier	38709	DRE-4527	Mechanix/Barrier	50124	E5HT1175AA	Ford	47695
DR-1519	Mechanix/Barrier	38709	DRE-4528	Mechanix/Barrier	50124	E5HT1175CA	Ford	38780
DR-1520	Mechanix/Barrier	38709	DRE-4529	Mechanix/Barrier	50124	E5HT1175GA	Ford	47692•
DR-1521	Mechanix/Barrier	47697	DRE-4530	Mechanix/Barrier	47699	E5HT1175GA	Ford	47695
DR-1522	Mechanix/Barrier	43865	DRE-5061	Mechanix/Barrier	47697	E5HT1190AA	Ford	34975
DR-1523	Mechanix/Barrier	43865	DRE-5062	Mechanix/Barrier	42800	E5HZ1177B	Ford	34387
DR-1524	Mechanix/Barrier	43865	DRE-5063	Mechanix/Barrier	48000	E5HZ1190A	Ford	34975
DR-1525	Mechanix/Barrier	45099	DRE-5064	Mechanix/Barrier	44964	E5TW1177BA	Ford	34387
DR-1528	Mechanix/Barrier	47699	DRE-5065	Mechanix/Barrier	48690	E5TZ1177B	Ford	34387
DR-1531	Mechanix/Barrier	47697	DRE-5066	Mechanix/Barrier	48297	E5TZ1177BA	Ford	34387
DR-1541	Mechanix/Barrier	47697	DRE-5070	Mechanix/Barrier	38780	E6HS1131BA	Ford	1743**
DR-15-RK	Mechanix/Barrier	43860	DRE-5071	Mechanix/Barrier	43860	E6HS11538A	Ford	450751
DR-16-RK	Mechanix/Barrier	38780	DRE-5072	Mechanix/Barrier	45160	E6HT1175AA	Ford	38776•
DR-17-RK	Mechanix/Barrier	38709	DRE-5073	Mechanix/Barrier	39420	E6HT1175AA	Ford	38779
DR-1-RK	Mechanix/Barrier	48297	DRE-5074	Mechanix/Barrier	38750	E6HZ1175AA	Ford	38776•
DR-21-RK	Mechanix/Barrier	47697	DRE-5075	Mechanix/Barrier	39380	E6HZ1175AA	Ford	38779
DR-22-RK	Mechanix/Barrier	43865	DRE-5081	Mechanix/Barrier	43875	E6HZ1175C	Ford	38780
DR-28-RK	Mechanix/Barrier	47699	DRE-5082	Mechanix/Barrier	43865	E6HZ1175E	Ford	38776•
DR-2-RK	Mechanix/Barrier	48884	DRE-5083	Mechanix/Barrier	42672	E6HZ1175E	Ford	38779
DR-41-RK	Mechanix/Barrier	48297	DRE-5084	Mechanix/Barrier	40136	E7072238	Lufkin Ind Inc.	46305
DR-4-RK	Mechanix/Barrier	48884	DRE-5085	Mechanix/Barrier	45099	E7072239	Lufkin Ind Inc.	1743**
DR-5-RK	Mechanix/Barrier	42800	DRE-5086	Mechanix/Barrier	48792	E7HT1175AA	Ford	34384•
DR-6-RK	Mechanix/Barrier	39380	DRE-5087	Mechanix/Barrier	50124	E7HT1175AA	Ford	34386
DR-8-RK	Mechanix/Barrier	47699	DRE-5090	Mechanix/Barrier	47699	E7HT1190AA	Ford	35058•
DR-9-RK	Mechanix/Barrier	43764	DRE-5093	Mechanix/Barrier	38709	E7HT1190AA	Ford	35059
DRE-10-RK	Mechanix/Barrier	38780	DRE-61-RK	Mechanix/Barrier	47697	E7HZ1175A	Ford	34384•
DRE-11-RK	Mechanix/Barrier	43860	DRE-62-RK	Mechanix/Barrier	42800	E7HZ1175A	Ford	34386
DRE-12-RK	Mechanix/Barrier	45160	DRE-63-RK	Mechanix/Barrier	48000	E7HZ1190A	Ford	35058•
DRE-13-RK	Mechanix/Barrier	39420	DRE-64-RK	Mechanix/Barrier	44964	E7HZ1190A	Ford	35059
DRE-14-RK	Mechanix/Barrier	38750	DRE-65-RK	Mechanix/Barrier	48690	E7TZ1175A	Ford	34384•
DRE-1-RK	Mechanix/Barrier	47697	DRE-71-RK	Mechanix/Barrier	43860	E7TZ1175A	Ford	34386
DRE-22-RK	Mechanix/Barrier	43865	DRE-72-RK	Mechanix/Barrier	45160	E8HS-1190-AA	Ford	34971
DRE-23-RK	Mechanix/Barrier	42672	DRE-73-RK	Mechanix/Barrier	39420	E8HS-1190-AA	Ford	34972
DRE-24-RK	Mechanix/Barrier	40136	DRE-74-RK	Mechanix/Barrier	38750	E8HT1190AA	Ford	34971
DRE-25-RK	Mechanix/Barrier	45099	DRE-75-RK	Mechanix/Barrier	39380	E8HT1190AA	Ford	34972
DRE-26-RK	Mechanix/Barrier	48792	DRE-81-RK	Mechanix/Barrier	47697	E8HT1190BA	Ford	43761•
DRE-27-RK	Mechanix/Barrier	50124	DRE-82-RK	Mechanix/Barrier	43865	E8HT1190BA	Ford	43763
DRE-2-RK	Mechanix/Barrier	42800	DRE-83-RK	Mechanix/Barrier	42672	E8TW-1177-AA	Ford	34384•
DRE-30-RK	Mechanix/Barrier	47699	DRE-84-RK	Mechanix/Barrier	40136	E8TW-1177-AA	Ford	34386
DRE-3-RK	Mechanix/Barrier	48000	DRE-85-RK	Mechanix/Barrier	45099	E8TW1177BA	Ford	34384•
DRE-4501	Mechanix/Barrier	47697	DRE-86-RK	Mechanix/Barrier	48792	E8TW1177BA	Ford	34386
DRE-4502	Mechanix/Barrier	42800	DRE-87-RK	Mechanix/Barrier	50124	E8TZ1175A	Ford	32470
DRE-4503	Mechanix/Barrier	48000	DRE-90-RK	Mechanix/Barrier	47699	E8TZ1177B	Ford	34384•
DRE-4504	Mechanix/Barrier	48000	DRE-93-RK	Mechanix/Barrier	38709	E8TZ1177B	Ford	34386
DRE-4505	Mechanix/Barrier	48000	E191SP89	Fruehauf	1799**	ENG7866S	FM SEAL & BRG	48794
DRE-4506	Mechanix/Barrier	48000	E1HS1131AA	Ford	1790**	ENG7866S	TIMKEN SEALS	48794
DRE-4507	Mechanix/Barrier	48000	E1HT1175AA	Ford	47697	EP46817	VICTOR	36365
DRE-4508	Mechanix/Barrier	48000	E1HT1175BA	Ford	47697	EP46841	VICTOR	42623
DRE-4509	Mechanix/Barrier	48000	E1HZ1175A	Ford	47692•	EP46841-1	VICTOR	46390
DRE-4510	Mechanix/Barrier	38780	E1HZ1175A	Ford	47695	EP46841-3	VICTOR	43800
DRE-4511	Mechanix/Barrier	43860	E1HZ1175B	Ford	47697	EP46842-1	VICTOR	40136
DRE-4512	Mechanix/Barrier	45160	E2910BJ-6	FM SEAL & BRG	35066	EP46842-2	VICTOR	40136
DRE-4513	Mechanix/Barrier	39420	E2910BJ-6	TIMKEN SEALS	35066	EP46842-3	VICTOR	40136
DRE-4514	Mechanix/Barrier	38750	E2HT1190AA	Ford	35066	EP46842-4	VICTOR	40136

For in-text symbols, see page 5A.

Competitor & manufacturer interchange

Mfr no.	Mfr.	Part no.	Mfr no.	Mfr.	Part no.	Mfr no.	Mfr.	Part no.
EP46845	_VICTOR	40139	F3TW1177CA	_Ford	34384*	FA-20-RK-BY	_Mechanix/Barrier	35060
EP46848	_VICTOR	42624	F3TW1177CA	_Ford	34386	FA-20-RK-YY	_Mechanix/Barrier	35066
EP46849	_VICTOR	48297	F3TW1177CA	_Ford	34387	FA-23-RK-BC	_Mechanix/Barrier	35075
EP47794	_VICTOR	47699	F4TZ1177B	_Ford	34384*	FA-23-RK-CC	_Mechanix/Barrier	35075
EP47798	_VICTOR	31244	F4TZ1177B	_Ford	34386	FA-24-RK-BC	_Mechanix/Barrier	39988
EP47799	_VICTOR	36285	F4TZ1177B	_Ford	34387	FA-24-RK-CC	_Mechanix/Barrier	39988
EP49598	_VICTOR	31244	F4TZ1S177B	_Ford	34384*	FA-25-RK-W	_Mechanix/Barrier	32470
EP49866	_VICTOR	35060	F4TZ1S177B	_Ford	34386	FA-25-RK-Y	_Mechanix/Barrier	32470
EP49884	_VICTOR	39988	F4TZ1S177B	_Ford	34387	FA-2-RK-T	_Mechanix/Barrier	35066
EP49888	_VICTOR	40086	F81A1131BA	_Ford	1612*	FA-2-RK-TX	_Mechanix/Barrier	35066
EP64225	_VICTOR	35075	F81Z1175EA	_Ford	38750	FA-2-RK-U	_Mechanix/Barrier	35066
EP64225-1	_VICTOR	35075	FA-10-RK-W	_Mechanix/Barrier	36285	FA-2-RK-V	_Mechanix/Barrier	35066
EP64225-2	_VICTOR	35075	FA-10-RK-Y	_Mechanix/Barrier	36285	FA-2-RK-W	_Mechanix/Barrier	35066
EP64225-3	_VICTOR	35075	FA-11-RK-W	_Mechanix/Barrier	40040	FA-2-RK-Y	_Mechanix/Barrier	35066
EP64227	_VICTOR	36285	FA-12-RK-ZU	_Mechanix/Barrier	48794	FA-2-RK-Z	_Mechanix/Barrier	35066
EP64227-1	_VICTOR	36285	FA-12-RK-ZZ	_Mechanix/Barrier	48794	FA-3-RK-W	_Mechanix/Barrier	35075
EP64227-2	_VICTOR	35075	FA-14-RD-U	_Mechanix/Barrier	35066	FA-3-RK-Y	_Mechanix/Barrier	35075
EP64227-3	_VICTOR	35060	FA-14-RK-T	_Mechanix/Barrier	35066	FA-3-RK-Z	_Mechanix/Barrier	35075
EP64229	_VICTOR	35075	FA-14-RK-TX	_Mechanix/Barrier	35066	FA-7-RK-W	_Mechanix/Barrier	39380
EP64232	_VICTOR	36274	FA-14-RK-V	_Mechanix/Barrier	35066	FAE-10-RK-W	_Mechanix/Barrier	32470
EP64234-1	_VICTOR	40086	FA-14-RK-W	_Mechanix/Barrier	35066	FAE-10-RK-Y	_Mechanix/Barrier	32470
EP64234-2	_VICTOR	39380	FA-14-RK-Y	_Mechanix/Barrier	35066	FAE-10-RK-ZY	_Mechanix/Barrier	32470
EP64234-3	_VICTOR	39380	FA-14-RK-Z	_Mechanix/Barrier	35066	FAE-15-RK-EE	_Mechanix/Barrier	28820
EP64236	_VICTOR	46305	FA-15-RK-BB	_Mechanix/Barrier	31244	FAE-16-RK-BY	_Mechanix/Barrier	36285
EP64238	_VICTOR	48298	FA-15-RK-CC	_Mechanix/Barrier	31244	FAE-16-RK-YY	_Mechanix/Barrier	36285
EP64238-2	_VICTOR	48884	FA-16-RK-BC	_Mechanix/Barrier	36365	FAE-16-RK-Z	_Mechanix/Barrier	36285
EP64402	_VICTOR	45099	FA-16-RK-CC	_Mechanix/Barrier	36365	FAE-18-RK-BB	_Mechanix/Barrier	31244
EP64404	_VICTOR	45160	FA-17-RK-BY	_Mechanix/Barrier	31244	FAE-18-RK-CC	_Mechanix/Barrier	31244
EP64408	_VICTOR	39420	FA-17-RK-YY	_Mechanix/Barrier	31244	FAE-1-RK-ZW	_Mechanix/Barrier	44922
EP64408-1	_VICTOR	39988	FA-1801	_Mechanix/Barrier	35066	FAE-20-RK-QB	_Mechanix/Barrier	40086
EP64408-2	_VICTOR	38750	FA-1801-HM	_Mechanix/Barrier	35066	FAE-21-RK-QB	_Mechanix/Barrier	40086
EP64410	_VICTOR	48297	FA-1802	_Mechanix/Barrier	35066	FAE-2-RK-ZW	_Mechanix/Barrier	44922
EP64410-2	_VICTOR	45152	FA-1803	_Mechanix/Barrier	35075	FAE-3-RK-T	_Mechanix/Barrier	35066
EP64410-3	_VICTOR	43875	FA-1804	_Mechanix/Barrier	35075	FAE-3-RK-TX	_Mechanix/Barrier	35066
EP64412	_VICTOR	35066	FA-1805	_Mechanix/Barrier	35075	FAE-3-RK-U	_Mechanix/Barrier	35066
EP64412-1	_VICTOR	36365	FA-1806	_Mechanix/Barrier	35075	FAE-3-RK-V	_Mechanix/Barrier	35066
EP64414	_VICTOR	35066	FA-1807	_Mechanix/Barrier	39380	FAE-3-RK-W	_Mechanix/Barrier	35066
EP64414-1	_VICTOR	35066	FA-1808	_Mechanix/Barrier	39380	FAE-3-RK-Y	_Mechanix/Barrier	35066
EP64415	_VICTOR	44922	FA-1809	_Mechanix/Barrier	39380	FAE-3-RK-Z	_Mechanix/Barrier	35066
EP64415-1	_VICTOR	40040	FA-1810	_Mechanix/Barrier	36285	FAE-4-RK-T	_Mechanix/Barrier	35066
EP64435	_VICTOR	48000	FA-1811	_Mechanix/Barrier	40040	FAE-4-RK-TX	_Mechanix/Barrier	35066
EP64437	_VICTOR	48792	FA-1812	_Mechanix/Barrier	48794	FAE-4-RK-U	_Mechanix/Barrier	35066
EP64439	_VICTOR	38709	FA-1813	_Mechanix/Barrier	48794	FAE-4-RK-V	_Mechanix/Barrier	35066
EP64443	_VICTOR	42800	FA-1814	_Mechanix/Barrier	35066	FAE-4-RK-W	_Mechanix/Barrier	35066
EP64468	_VICTOR	48794	FA-1815	_Mechanix/Barrier	31244	FAE-4-RK-Y	_Mechanix/Barrier	35066
ER1220	_VICTOR	48884	FA-1816	_Mechanix/Barrier	35075	FAE-4-RK-Z	_Mechanix/Barrier	35066
EX183-554	_Navistar (IHC)	32470	FA-1817	_Mechanix/Barrier	31244	FAE-5001	_Mechanix/Barrier	44922
EZ0302E	_NOK/FREUD	42627*	FA-1818	_Mechanix/Barrier	36285	FAE-5002	_Mechanix/Barrier	44922
EZ0302E	_NOK/FREUD	42622	FA-1819	_Mechanix/Barrier	35060	FAE-5003	_Mechanix/Barrier	35066
EZ0302E	_NOK/FREUD	42623	FA-1820	_Mechanix/Barrier	35060	FAE-5004	_Mechanix/Barrier	35066
FOHT1190AA	_Ford	35058*	FA-1821	_Mechanix/Barrier	35060	FAE-5005	_Mechanix/Barrier	35066
FOHT1190AA	_Ford	35059	FA-1822	_Mechanix/Barrier	35060	FAE-5006	_Mechanix/Barrier	43764
FOTZ1177A	_Ford	34384*	FA1823	_Mechanix/Barrier	35075	FAE-5007	_Mechanix/Barrier	36285
FOTZ1177A	_Ford	34386	FA-1824	_Mechanix/Barrier	39988	FAE-5008	_Mechanix/Barrier	48794
FOTZ1177A	_Ford	34387	FA-1825	_Mechanix/Barrier	32470	FAE-5009	_Mechanix/Barrier	36285
F1517	_Shuler	43752	FA-18-RK-BY	_Mechanix/Barrier	36285	FAE-5010	_Mechanix/Barrier	32470
F1552	_Shuler	46305	FA-18-RK-YY	_Mechanix/Barrier	36285	FAE-5012	_Mechanix/Barrier	39380
F1HZ1175A	_Ford	38780	FA-19-RK-BY	_Mechanix/Barrier	35060	FAE-5014	_Mechanix/Barrier	44922
F2HT1175AA	_Ford	38780	FA-19-RK-YY	_Mechanix/Barrier	35060	FAE-5015	_Mechanix/Barrier	28820
F2HZ1175A	_Ford	34387	FA-1-RK-T	_Mechanix/Barrier	35066	FAE-5016	_Mechanix/Barrier	36285
F2HZ1175B	_Ford	38780	FA-1-RK-TX	_Mechanix/Barrier	35066	FAE-5017	_Mechanix/Barrier	36365
F2HZ1175C	_Ford	47697	FA-1-RK-U	_Mechanix/Barrier	35066	FAE-5018	_Mechanix/Barrier	31244
F2HZ1S175B	_Ford	38780	FA-1-RK-V	_Mechanix/Barrier	35066	FAE-5019	_Mechanix/Barrier	39988
F2HZ1S175C	_Ford	47697	FA-1-RK-W	_Mechanix/Barrier	35066	FAE-5020	_Mechanix/Barrier	40086
F2TZ1175A	_Ford	32470	FA-1-RK-Y	_Mechanix/Barrier	35066	FAE-5021	_Mechanix/Barrier	40086
F3HT1175AA	_Ford	34387	FA-1-RK-Z	_Mechanix/Barrier	35066	FAE-5-RK-T	_Mechanix/Barrier	35066

For in-text symbols, see page 5A.

Competitor & manufacturer interchange

Mfr no.	Mfr.	Part no.	Mfr no.	Mfr.	Part no.	Mfr no.	Mfr.	Part no.
FAE-5-RK-TX	Mechanix/Barrier	35066	HC-4023	FM SEAL & BRG	1576	HC-4098	FM SEAL & BRG	1691*
FAE-5-RK-U	Mechanix/Barrier	35066	HC-4023	TIMKEN SEALS	1576	HC-4098	FM SEAL & BRG	1790**
FAE-5-RK-V	Mechanix/Barrier	35066	HC-4024	FM SEAL & BRG	1612*	HC-4098	TIMKEN SEALS	1691*
FAE-5-RK-W	Mechanix/Barrier	35066	HC-4024	FM SEAL & BRG	1711**	HC-4098	TIMKEN SEALS	1790**
FAE-5-RK-Y	Mechanix/Barrier	35066	HC-4024	TIMKEN SEALS	1612*	HDT1301	Marmon-Herrington	35066
FAE-5-RK-Z	Mechanix/Barrier	35066	HC-4024	TIMKEN SEALS	1711**	HP-934116	Walinga Body & Coach Ltd	46300
FAE-6-RK-D	Mechanix/Barrier	43764	HC-4025	FM SEAL & BRG	1769**	HP-934116	Walinga Body & Coach Ltd	46304
FAE-6-RK-P	Mechanix/Barrier	43764	HC-4025	TIMKEN SEALS	1769**	HPZ6171X2	Fruehauf	42623
FAE-7-RK-BY	Mechanix/Barrier	36285	HC-4026	FM SEAL & BRG	1575	HS1643	Midland Co.	1643*
FAE-7-RK-YY	Mechanix/Barrier	36285	HC-4026	TIMKEN SEALS	1575	HS34384	Midland Co.	34384•
FAE-7-RK-Z	Mechanix/Barrier	36285	HC-4027	FM SEAL & BRG	1535	HS34384	Midland Co.	47692
FAE-8-RK-ZU	Mechanix/Barrier	48794	HC-4027	TIMKEN SEALS	1535	HS34386	Midland Co.	34384•
FAE-8-RK-ZZ	Mechanix/Barrier	48794	HC-4028	FM SEAL & BRG	1715**	HS34386	Midland Co.	34384•
FAE-9-RK-W	Mechanix/Barrier	36285	HC-4028	TIMKEN SEALS	1715**	HS34386	Midland Co.	34386
FAE-9-RK-Y	Mechanix/Barrier	36285	HC-4029	FM SEAL & BRG	1781**	HS34972	Midland Co.	34971
FAE-9-RK-ZY	Mechanix/Barrier	36285	HC-4029	TIMKEN SEALS	1781**	HS34972	Midland Co.	34972
FC900	Rockwell Standard	28820	HC-4031	FM SEAL & BRG	1768**	HS34999	Midland Co.	34994
FOTW1177AA	NOK/FREUD	34384•	HC-4031	TIMKEN SEALS	1768**	HS34999	Midland Co.	34999
FOTW1177AA	NOK/FREUD	34386	HC4033	FM SEAL & BRG	1577	HS35059	Midland Co.	35058•
G143	Payen	42800	HC4033	TIMKEN SEALS	1577	HS35059	Midland Co.	35059
G15527816	Volvo Truck NA	453795	HC-4034	FM SEAL & BRG	1670*	HS36357	Midland Co.	36357
G15527816	Volvo/GMC/White Truck	453795	HC-4034	FM SEAL & BRG	1770**	HS38748	Midland Co.	38748
G2078026	Volvo Truck NA	47690	HC-4034	TIMKEN SEALS	1670*	HS38776	Midland Co.	38776•
G2078026	Volvo/GMC/White Truck	47690	HC-4034	TIMKEN SEALS	1770**	HS38779	Midland Co.	38779
G2091380	Volvo/GMC/White Truck	450434	HC-4036	FM SEAL & BRG	1702**	HS38779	Midland Co.	38779
G2091380	Volvo/GMC/White Truck	450434	HC-4036	TIMKEN SEALS	1702**	HS39426	Midland Co.	39426
G654686	Volvo Truck NA	36285	HC4040	FM SEAL & BRG	1707	HS39977	Midland Co.	39977
G654686	Volvo/GMC/White Truck	36285	HC-4042	FM SEAL & BRG	1665*	HS39977	Midland Co.	39979
G688061	Volvo Truck NA	48000	HC-4042	FM SEAL & BRG	1765**	HS40088	Midland Co.	40088
G688061	Volvo/GMC/White Truck	48000	HC-4042	TIMKEN SEALS	1665*	HS42622	Midland Co.	42627•
G704303	Volvo/GMC/White Truck	48796	HC-4042	TIMKEN SEALS	1765**	HS42622	Midland Co.	42622
GGAAH10190	Dana-Spicer Corp. (Churabusco)	39425	HC-4044	FM SEAL & BRG	1713	HS42627	Midland Co.	42627•
H-075	FM SEAL & BRG	1282^	HC-4044	TIMKEN SEALS	1713	HS42671	Midland Co.	42671
H-075	TIMKEN SEALS	1282^	HC-4046	FM SEAL & BRG	1643*	HS42671	Midland Co.	42673
HC-4002	FM SEAL & BRG	1627*	HC-4046	FM SEAL & BRG	1743**	HS43761	Midland Co.	43761•
HC-4002	FM SEAL & BRG	1727**	HC-4046	TIMKEN SEALS	1643*	HS43763	Midland Co.	43761•
HC-4002	TIMKEN SEALS	1627*	HC-4046	FM SEAL & BRG	1743**	HS43763	Midland Co.	43763
HC-4002	TIMKEN SEALS	1727**	HC-4050	FM SEAL & BRG	771**	HS43861	Midland Co.	43861
HC-4003	FM SEAL & BRG	1709	HC-4050	TIMKEN SEALS	1771**	HS44919	Midland Co.	44916
HC-4003	TIMKEN SEALS	1709	HC-4051	FM SEAL & BRG	1721	HS44919	Midland Co.	44919
HC-4005	FM SEAL & BRG	1789**	HC-4051	TIMKEN SEALS	1721	HS44963	Midland Co.	44963
HC-4005	TIMKEN SEALS	1789**	HC-4052	FM SEAL & BRG	1603	HS450434	Midland Co.	450434
HC-4007	FM SEAL & BRG	1732	HC-4052	TIMKEN SEALS	1603	HS45097	Midland Co.	45093
HC-4007	TIMKEN SEALS	1732	HC-4057	FM SEAL & BRG	1754**	HS45097	Midland Co.	45097
HC-4009	FM SEAL & BRG	1643*	HC-4057	TIMKEN SEALS	1754**	HS45102	Midland Co.	45095
HC-4009	FM SEAL & BRG	1743**	HC-4058	FM SEAL & BRG	1705**	HS45102	Midland Co.	45102
HC-4009	TIMKEN SEALS	1643**	HC-4058	TIMKEN SEALS	1705**	HS45158	Midland Co.	45158
HC-4009	TIMKEN SEALS	1743**	HC-4059	FM SEAL & BRG	1741**	HS453770	Midland Co.	453770
HC-4011	FM SEAL & BRG	1738**	HC-4059	TIMKEN SEALS	1741**	HS453795	Midland Co.	453795
HC-4011	TIMKEN SEALS	1738**	HC-4066	FM SEAL & BRG	1623*	HS455031	Midland Co.	455031
HC-4012	FM SEAL & BRG	1736**	HC-4066	FM SEAL & BRG	1723**	HS455033	Midland Co.	455033
HC-4012	TIMKEN SEALS	1736**	HC-4066	TIMKEN SEALS	1623*	HS455036	Midland Co.	455036
HC-4013	FM SEAL & BRG	1642*	HC-4066	TIMKEN SEALS	1723**	HS455037	Midland Co.	455037
HC-4013	FM SEAL & BRG	1742**	HC-4075	FM SEAL & BRG	1282^	HS456301	Midland Co.	456301
HC-4013	TIMKEN SEALS	1642*	HC-4075	TIMKEN SEALS	1282^	HS47245	Midland Co.	47245
HC-4013	TIMKEN SEALS	1742**	HC-4091	FM SEAL & BRG	1612*	HS47692	Midland Co.	47692•
HC-4014	FM SEAL & BRG	1730	HC-4091	FM SEAL & BRG	1711**	HS47694	Midland Co.	47691
HC-4014	TIMKEN SEALS	1730	HC-4091	TIMKEN SEALS	1612*	HS47694	Midland Co.	47694
HC-4016	FM SEAL & BRG	1595	HC-4091	TIMKEN SEALS	1711**	HS47695	Midland Co.	47692•
HC-4016	TIMKEN SEALS	1595	HC-4092	FM SEAL & BRG	1787**	HS47695	Midland Co.	47695
HC-4019	FM SEAL & BRG	1627**	HC-4092	TIMKEN SEALS	1787**	HS48001	Midland Co.	48001
HC-4019	FM SEAL & BRG	1727**	HC-4093	FM SEAL & BRG	1788**	HS48001	Midland Co.	48002
HC-4019	TIMKEN SEALS	1627**	HC-4093	TIMKEN SEALS	1788**	HU0001A	FM SEAL & BRG	1738**
HC-4019	TIMKEN SEALS	1727**	HC4096	FM SEAL & BRG	1784	HU0001A	TIMKEN SEALS	1738**
			HC4096	TIMKEN SEALS	1784	HU-003A	FM SEAL & BRG	1709

For in-text symbols, see page 5A.

Competitor & manufacturer interchange

Mfr no.	Mfr.	Part no.	Mfr no.	Mfr.	Part no.	Mfr no.	Mfr.	Part no.
HU-003A	TIMKEN SEALS	1709	HU-110A	TIMKEN SEALS	1743**	MHG177	Rockwell Standard	40136
HU-005A	FM SEAL & BRG	1789**	HU-149A	FM SEAL & BRG	1613*	MHG205	Rockwell Standard	40139
HU-005A	TIMKEN SEALS	1789**	HU-149A	FM SEAL & BRG	1703**	MHG221	Rockwell Standard	43752
HU-007A	FM SEAL & BRG	1732	HU-149A	TIMKEN SEALS	1613*	MHG238	Rockwell Standard	43752
HU-007A	TIMKEN SEALS	1732	HU-149A	TIMKEN SEALS	1703**	MHG239	Rockwell Standard	43752
HU-009A	FM SEAL & BRG	1643*	ICG9424	Autocar	36285	MHG240	Rockwell Standard	43752
HU-009A	FM SEAL & BRG	1743**	K134-171	Kenworth	450981	MHG241	Rockwell Standard	40136
HU-009A	TIMKEN SEALS	1643*	L3541X	Massey-Ferguson	50124	MHG242	Rockwell Standard	43752
HU-009A	TIMKEN SEALS	1743**	M10HH101	Dana-Spicer Corp.		MHG243	Rockwell Standard	46305
HU-011A	FM SEAL & BRG	1738**	(Churabusco)		40136	MHG246	Rockwell Standard	46305
HU-011A	TIMKEN SEALS	1738**	M10HH102	Dana-Spicer Corp.		MHG255	Rockwell Standard	39380
HU-012A	FM SEAL & BRG	1736**	(Churabusco)		46305	MHG257	Rockwell Standard	46305
HU-012A	TIMKEN SEALS	1736**	M10HH103	Dana-Spicer Corp.		MHG265	Rockwell Standard	48297
HU-013A	FM SEAL & BRG	1642*	(Churabusco)		35075	MHG283	Rockwell Standard	42623
HU-013A	FM SEAL & BRG	1742**	M10HH1032	Dana-Spicer Corp.		MHG284	Rockwell Standard	46305
HU-013A	TIMKEN SEALS	1642*	(Churabusco)		35075	MST-0-66534	Fruehauf	1282^
HU-013A	TIMKEN SEALS	1742**	M10HH107X	Dana-Spicer Corp.		MST0-66719	Fruehauf	42672
HU-014A	FM SEAL & BRG	1729	(Churabusco)		46305	MST-3-66534	Fruehauf	1282^
HU-014A	TIMKEN SEALS	1729	M10HH114	Dana-Spicer Corp.		MST366719	Fruehauf	42672
HU-019A	FM SEAL & BRG	1627*	(Churabusco)		40136	MT2P1471	Mack	34384•
HU-019A	FM SEAL & BRG	1727**	M10HH119	Dana-Spicer Corp.		N1282	SLD PWR	1282^
HU-019A	TIMKEN SEALS	1627*	(Churabusco)		45162	N1283	SLD PWR	1283^
HU-019A	TIMKEN SEALS	1727**	M10HH125	Dana-Spicer Corp.		N1343	SLD PWR	1343+
HU-024A	FM SEAL & BRG	1612*	(Churabusco)		42624	N1382	SLD PWR	1382+
HU-024A	FM SEAL & BRG	1711**	M10HH137	SPICER	46305	N1606	SLD PWR	1606
HU-024A	TIMKEN SEALS	1711**	M10HH142	Dana-Spicer Corp.		N1643	SLD PWR	1643*
HU-028A	FM SEAL & BRG	1715**	(Churabusco)		46300	N1702	SLD PWR	1702**
HU-028A	TIMKEN SEALS	1715**	M10HH142	Dana-Spicer Corp.		N1703	SLD PWR	1613*
HU-031A	FM SEAL & BRG	1768**	(Churabusco)		46304	N1703	SLD PWR	1703**
HU-031A	TIMKEN SEALS	1768**	M10HH142	SPICER	46300	N1704	SLD PWR	1704**
HU-034A	FM SEAL & BRG	1670*	M10HH142	SPICER	46304	N1705	SLD PWR	1705**
HU-034A	FM SEAL & BRG	1770**	M10HH143	Dana-Spicer Corp.		N1707	SLD PWR	1707
HU-034A	TIMKEN SEALS	1670*	(Churabusco)		40136	N1709	SLD PWR	1709
HU-034A	TIMKEN SEALS	1770**	M10HH152	Dana-Spicer Corp.		N1711	SLD PWR	1612*
HU-036A	FM SEAL & BRG	1702**	(Churabusco)		42623	N1711	SLD PWR	1711**
HU-036A	TIMKEN SEALS	1702**	M10HH169	Dana-Spicer Corp.		N1713	SLD PWR	1713
HU-037A	FM SEAL & BRG	1764**	(Churabusco)		46300	N1715	SLD PWR	1715**
HU-037A	TIMKEN SEALS	1764**	M10HH169	Hendrickson	46300	N1719	SLD PWR	1719
HU039A	FM SEAL & BRG	1782	M10HK100	Dana-Spicer Corp.		N1720	SLD PWR	1720**
HU039A	TIMKEN SEALS	1782	(Churabusco)		1743**	N1721	SLD PWR	1721
HU-042A	FM SEAL & BRG	1665*	M10HK121	Dana-Spicer Corp.		N1723	SLD PWR	1623*
HU-042A	FM SEAL & BRG	1765**	(Churabusco)		1711**	N1723	SLD PWR	1723**
HU-042A	TIMKEN SEALS	1665*	M10HK124	Dana-Spicer Corp.		N1724	SLD PWR	1724
HU-042A	TIMKEN SEALS	1765**	(Churabusco)		1743**	N1727	SLD PWR	1627*
HU-044A	FM SEAL & BRG	1713	M10HK127	Dana-Spicer Corp.		N1727	SLD PWR	1727**
HU-044A	TIMKEN SEALS	1713	(Churabusco)		1720**	N1728	SLD PWR	1728
HU-046A	FM SEAL & BRG	1643*	M10HK129	Dana-Spicer Corp.		N1729	SLD PWR	1729
HU-046A	FM SEAL & BRG	1743**	(Churabusco)		1640*	N1730	SLD PWR	1730
HU-046A	TIMKEN SEALS	1643*	M10HK130	Dana-Spicer Corp.		N1732	SLD PWR	1732
HU-046A	TIMKEN SEALS	1743**	(Churabusco)		1741**	N1733	SLD PWR	1733**
HU-057A	FM SEAL & BRG	1754**	M10HK162	Dana-Spicer Corp.		N1734	SLD PWR	1734
HU-057A	TIMKEN SEALS	1754**	(Churabusco)		1682*	N1736	SLD PWR	1736**
HU-058A	FM SEAL & BRG	1705**	M10HK171	SPICER	1643*	N1737	SLD PWR	1737**
HU-058A	TIMKEN SEALS	1705**	M10HK171	SPICER	1743**	N1738	SLD PWR	1738**
HU-066A	FM SEAL & BRG	1623*	M10HK181	SPICER	1720**	N1739	SLD PWR	1577
HU-066A	FM SEAL & BRG	1723**	M10HK182	Dana-Spicer Corp.		N1740	SLD PWR	1740
HU-066A	TIMKEN SEALS	1623*	(Churabusco)		1643*	N1741	SLD PWR	1741**
HU-066A	TIMKEN SEALS	1723**	M10HK194	Dana-Spicer Corp.		N1742	SLD PWR	1642*
HU070A	FM SEAL & BRG	1724	(Churabusco)		1343+	N1742	SLD PWR	1742**
HU070A	TIMKEN SEALS	1724	M4478	REO	38709	N1743	SLD PWR	1643*
HU075A	FM SEAL & BRG	1282^	M560804	White Truck	36285	N1743	SLD PWR	1743**
HU-0A	FM SEAL & BRG	1705**	M560805	White Truck	455035	N1744	SLD PWR	1744**
HU-0A	TIMKEN SEALS	1705**	M563986	White Truck	38780	N1745	SLD PWR	1745
HU-110A	FM SEAL & BRG	1643*	MCG010714	Fruehauf	46305	N1750	SLD PWR	1750**
HU-110A	FM SEAL & BRG	1743**	MCG010911	Fruehauf	42627•	N1751	SLD PWR	1751**
HU-110A	TIMKEN SEALS	1643*	MCG010911	Fruehauf	42622	N1752	SLD PWR	1752**

For in-text symbols, see page 5A.

Competitor & manufacturer interchange

Mfr no.	Mfr.	Part no.	Mfr no.	Mfr.	Part no.	Mfr no.	Mfr.	Part no.
N1753	SLD PWR	1753**	N32470	SLD PWR	32470	N40040	SLD PWR	40040
N1754	SLD PWR	1754**	N332	SLD PWR	332	N40085	SLD PWR	40086
N1755	SLD PWR	1577	N-34386	SLD PWR	34384•	N40086	SLD PWR	40086
N1756	SLD PWR	1578	N-34386	SLD PWR	34386	N-40088	SLD PWR	40088
N1757	SLD PWR	1757	N34387	SLD PWR	34387	N-40133	SLD PWR	40129•
N1758	SLD PWR	1782	N-34972	SLD PWR	34971	N-40133	SLD PWR	40133
N1760	SLD PWR	1760**	N-34972	SLD PWR	34972	N40134	SLD PWR	40136
N1762	SLD PWR	1576	N34975	SLD PWR	34975	N40135	SLD PWR	40139
N1764	SLD PWR	1764**	N34999	SLD PWR	34994	N40136	SLD PWR	40136
N1765	SLD PWR	1665*	N34999	SLD PWR	34999	N40139	SLD PWR	40139
N1765	SLD PWR	1765**	N35000	SLD PWR	35000	N42550	SLD PWR	42550
N1767	SLD PWR	450237	N-35059	SLD PWR	35058•	N-42622	SLD PWR	42627•
N1768	SLD PWR	1768**	N-35059	SLD PWR	35059	N-42622	SLD PWR	42622
N1769	SLD PWR	1769**	N35060	SLD PWR	35060	N42623	SLD PWR	42623
N1770	SLD PWR	1670*	N35066	SLD PWR	35066	N42624	SLD PWR	42624
N1770	SLD PWR	1770**	N35072	SLD PWR	35072	N42625	SLD PWR	42625
N1771	SLD PWR	1771**	N35075	SLD PWR	35075	N-42671	SLD PWR	42671
N1781	SLD PWR	1781**	N351	SLD PWR	351	N-42671	SLD PWR	42673
N1782	SLD PWR	1782	N35102	SLD PWR	35102	N42672	SLD PWR	42672
N1783	SLD PWR	1643*	N352	SLD PWR	352	N427	SLD PWR	427
N1783	SLD PWR	1743**	N353	SLD PWR	353	N428	SLD PWR	428
N1784	SLD PWR	1784	N354	SLD PWR	354	N42800	SLD PWR	42800
N1785	SLD PWR	1785	N356	SLD PWR	356	N429	SLD PWR	429
N1786	SLD PWR	1786	N357	SLD PWR	357	N-435	SLD PWR	435
N1787	SLD PWR	1787**	N358	SLD PWR	358	N-436	SLD PWR	436
N1788	SLD PWR	1788**	N-35820	SLD PWR	35820	N43752	SLD PWR	43752
N1789	SLD PWR	1789**	N359	SLD PWR	359	N-43753	SLD PWR	43753
N1790	SLD PWR	1691*	N360	SLD PWR	360	N-43753	SLD PWR	43754
N1790	SLD PWR	1790**	N361	SLD PWR	361	N-43763	SLD PWR	43761•
N1796	SLD PWR	1696*	N362	SLD PWR	362	N-43763	SLD PWR	43763
N1796	SLD PWR	1796**	N36274	SLD PWR	36274	N43764	SLD PWR	43764
N1797	SLD PWR	1797	N36285	SLD PWR	36285	N43795	SLD PWR	42800
N1798	SLD PWR	1698*	N363	SLD PWR	363	N43800	SLD PWR	43800
N1798	SLD PWR	1798**	N-36357	SLD PWR	36357	N43860	SLD PWR	43860
N1799	SLD PWR	1799**	N-36358	SLD PWR	36358	N-43861	SLD PWR	43861
N1903	SLD PWR	1613*	N36365	SLD PWR	36365	N43865	SLD PWR	43865
N1903	SLD PWR	1703**	N364	SLD PWR	364	N43875	SLD PWR	43875
N1911	SLD PWR	1612*	N365	SLD PWR	365	N441	SLD PWR	441
N1911	SLD PWR	1711**	N380	SLD PWR	380	N445	SLD PWR	445
N1923	SLD PWR	1623*	N381	SLD PWR	381	N446	SLD PWR	446
N1923	SLD PWR	1723**	N382	SLD PWR	358	N448	SLD PWR	448
N1927	SLD PWR	1627*	N383	SLD PWR	383	N449	SLD PWR	449
N1927	SLD PWR	1727**	N384	SLD PWR	384	N-44919	SLD PWR	44916
N1942	SLD PWR	1642*	N385	SLD PWR	385	N-44919	SLD PWR	44919
N1942	SLD PWR	1742**	N386	SLD PWR	386	N44922	SLD PWR	44922
N1943	SLD PWR	1643*	N387	SLD PWR	387	N44924	SLD PWR	44922
N1943	SLD PWR	1743**	N38709	SLD PWR	38709	N44963	SLD PWR	44963
N1965	SLD PWR	1665*	N-38736	SLD PWR	38736	N44964	SLD PWR	44964
N1965	SLD PWR	1765**	N38747	SLD PWR	38747	N450023	SLD PWR	450023
N1981	SLD PWR	1781**	N38748	SLD PWR	38748	N450024	SLD PWR	450024
N1984	SLD PWR	1784	N38750	SLD PWR	38750	N45010	SLD PWR	45010
N1987	SLD PWR	1787**	N-38779	SLD PWR	38776•	N450155	SLD PWR	450155
N1990	SLD PWR	1691*	N-38779	SLD PWR	38779	N450158	SLD PWR	450158
N1990	SLD PWR	1790**	N38780	SLD PWR	38780	N450166	SLD PWR	450166
N27438	SLD PWR	27438	N388	SLD PWR	388	N450176	SLD PWR	450176
N28758	SLD PWR	28758	N389	SLD PWR	389	N450189	SLD PWR	450189
N28758	SLD PWR	28759	N390	SLD PWR	390	N450194	SLD PWR	450194
N28820	SLD PWR	28820	N-391	SLD PWR	391	N450208	SLD PWR	450208
N28832	SLD PWR	28832	N-392	SLD PWR	392	N450236	SLD PWR	450236
N31175	SLD PWR	31175	N39380	SLD PWR	39380	N450237	SLD PWR	450237
N31244	SLD PWR	31244	N39420	SLD PWR	39420	N450239	SLD PWR	450239
N31264	SLD PWR	31264	N39425	SLD PWR	39425	N450249	SLD PWR	450249
N31266	SLD PWR	31266	N39426	SLD PWR	39426	N450293	SLD PWR	450293
N31281	SLD PWR	31281	N-39977	SLD PWR	39977	N450299	SLD PWR	1789**
N31307	SLD PWR	31307	N-39977	SLD PWR	39979	N450302	SLD PWR	450302
N31307	SLD PWR	31323	N39988	SLD PWR	39988	N450310	SLD PWR	450310

For in-text symbols, see page 5A.

Competitor & manufacturer interchange

Mfr no.	Mfr.	Part no.	Mfr no.	Mfr.	Part no.	Mfr no.	Mfr.	Part no.
N450319	_SLD PWR	450319	N450754	_SLD PWR	450754	N453645	_SLD PWR	450741
N450409	_SLD PWR	450409	N450755	_SLD PWR	450755	N453646	_SLD PWR	453646
N450421	_SLD PWR	450421	N450756	_SLD PWR	450756	N453674	_SLD PWR	453674
N450430	_SLD PWR	450155	N450757	_SLD PWR	450757	N455001	_SLD PWR	455001
N450431	_SLD PWR	450431	N450758	_SLD PWR	450758	N455002	_SLD PWR	455002
N450434	_SLD PWR	450434	N450759	_SLD PWR	450759	N455003	_SLD PWR	455003
N450447	_SLD PWR	450447	N450760	_SLD PWR	450760	N455004	_SLD PWR	455004
N450454	_SLD PWR	450608	N450761	_SLD PWR	1798**	N455005	_SLD PWR	455005
N450456	_SLD PWR	1796**	N450762	_SLD PWR	450762	N455006	_SLD PWR	455006
N450458	_SLD PWR	1788**	N450763	_SLD PWR	40040	N455007	_SLD PWR	455007
N450460	_SLD PWR	455004	N450764	_SLD PWR	1799**	N455008	_SLD PWR	455008
N450464	_SLD PWR	1796**	N450765	_SLD PWR	450765	N455009	_SLD PWR	455009
N450466	_SLD PWR	1788**	N450766	_SLD PWR	450766	N455010	_SLD PWR	455010
N450468	_SLD PWR	450743	N450767	_SLD PWR	450767	N455011	_SLD PWR	455011
N450470	_SLD PWR	450608	N450768	_SLD PWR	450768	N455012	_SLD PWR	455012
N450471	_SLD PWR	1787**	N450769	_SLD PWR	450769	N455014	_SLD PWR	455014
N450475	_SLD PWR	450475	N450770	_SLD PWR	450754	N455015	_SLD PWR	455015
N450477	_SLD PWR	1789**	N450771	_SLD PWR	450771	N455018	_SLD PWR	1788**
N450478	_SLD PWR	1798**	N450772	_SLD PWR	450772	N455019	_SLD PWR	455019
N450482	_SLD PWR	1788**	N450773	_SLD PWR	1612*	N455023	_SLD PWR	455023
N450488	_SLD PWR	40040	N450774	_SLD PWR	450596	N455024	_SLD PWR	455024
N450489	_SLD PWR	1799**	N450775	_SLD PWR	450775	N455026	_SLD PWR	455026
N450490	_SLD PWR	1788**	N450776	_SLD PWR	40134	N455030	_SLD PWR	455030
N450495	_SLD PWR	450754	N450777	_SLD PWR	450777	N455031	_SLD PWR	455031
N450496	_SLD PWR	450496	N450778	_SLD PWR	450778	N455033	_SLD PWR	455033
N450498	_SLD PWR	450752	N450779	_SLD PWR	450876	N455034	_SLD PWR	455034
N450499	_SLD PWR	450741	N450780	_SLD PWR	450780	N455035	_SLD PWR	455035
N450505	_SLD PWR	450319	N450781	_SLD PWR	450781	N455036	_SLD PWR	455036
N450535	_SLD PWR	450608	N450782	_SLD PWR	450782	N455037	_SLD PWR	455037
N450536	_SLD PWR	450536	N450783	_SLD PWR	1613*	N455050	_SLD PWR	455050
N450537	_SLD PWR	450537	N450788	_SLD PWR	450788	N455052	_SLD PWR	455052
N450550	_SLD PWR	1769**	N450799	_SLD PWR	450799	N-455054	_SLD PWR	455054
N450556	_SLD PWR	450475	N450802	_SLD PWR	450802	N456144	_SLD PWR	456144
N450557	_SLD PWR	450743	N450804	_SLD PWR	1796**	N456301	_SLD PWR	456301
N450564	_SLD PWR	450475	N450805	_SLD PWR	450740	N-457	_SLD PWR	457
N450565	_SLD PWR	450743	N450806	_SLD PWR	1788**	N-461	_SLD PWR	461
N450566	_SLD PWR	450566	N450807	_SLD PWR	450475	N-462	_SLD PWR	462
N450584	_SLD PWR	450754	N450874	_SLD PWR	450874	N463	_SLD PWR	463
N450587	_SLD PWR	1612*	N450875	_SLD PWR	450875	N-46304	_SLD PWR	46300
N450590	_SLD PWR	1789**	N450876	_SLD PWR	450876	N-46304	_SLD PWR	46304
N450593	_SLD PWR	450751	N450877	_SLD PWR	450877	N46305	_SLD PWR	46305
N450596	_SLD PWR	450596	N450878	_SLD PWR	450878	N46306	_SLD PWR	46306
N450599	_SLD PWR	40135	N450879	_SLD PWR	450879	N46390	_SLD PWR	46390
N450602	_SLD PWR	450319	N-45097	_SLD PWR	45093	N-46396	_SLD PWR	46396
N450605	_SLD PWR	450176	N-45097	_SLD PWR	45097	N-465	_SLD PWR	465
N450606	_SLD PWR	455004	N450980	_SLD PWR	450980	N472	_SLD PWR	472
N450607	_SLD PWR	1769**	N450981	_SLD PWR	450981	N472	_SLD PWR	473
N450608	_SLD PWR	450608	N450982	_SLD PWR	450982	N47245	_SLD PWR	47245
N450614	_SLD PWR	455004	N450983	_SLD PWR	450983	N474	_SLD PWR	474
N450615	_SLD PWR	1769**	N450984	_SLD PWR	450984	N47483	_SLD PWR	47483
N450617	_SLD PWR	450617	N450985	_SLD PWR	450985	N47690	_SLD PWR	47690
N450737	_SLD PWR	450737	N45099	_SLD PWR	45099	N47694	_SLD PWR	47691
N450740	_SLD PWR	450740	N451	_SLD PWR	451	N47694	_SLD PWR	47694
N450741	_SLD PWR	450741	N45100	_SLD PWR	45100	N47695	_SLD PWR	47692*
N450742	_SLD PWR	450742	N-45102	_SLD PWR	45095	N47695	_SLD PWR	47691
N450743	_SLD PWR	450743	N-45102	_SLD PWR	45102	N47695	_SLD PWR	47695
N450744	_SLD PWR	450744	N45103	_SLD PWR	45103	N47696	_SLD PWR	47696
N450745	_SLD PWR	1798**	N45105	_SLD PWR	45103	N47697	_SLD PWR	47697
N450746	_SLD PWR	450754	N45152	_SLD PWR	45152	N47698	_SLD PWR	47698
N450747	_SLD PWR	450747	N-45158	_SLD PWR	45158	N47699	_SLD PWR	47699
N450748	_SLD PWR	450748	N45160	_SLD PWR	45160	N48000	_SLD PWR	48000
N450749	_SLD PWR	450749	N45162	_SLD PWR	45162	N-48001	_SLD PWR	48001
N450750	_SLD PWR	450475	N45163	_SLD PWR	45163	N-48001	_SLD PWR	48002
N450751	_SLD PWR	450751	N452	_SLD PWR	452	N48297	_SLD PWR	48297
N450752	_SLD PWR	450752	N453	_SLD PWR	453	N48298	_SLD PWR	48298
N450753	_SLD PWR	1798**	N453644	_SLD PWR	450788	N484	_SLD PWR	484

For in-text symbols, see page 5A.

Competitor & manufacturer interchange

Mfr no.	Mfr.	Part no.	Mfr no.	Mfr.	Part no.	Mfr no.	Mfr.	Part no.
N48690	_SLD PWR	48690	S6104	_Autocar	35060	SS64456	_VICTOR	35075
N48792	_SLD PWR	48792	SK80-091	_Fruehauf	42625	SS64460	_VICTOR	31281
N48794	_SLD PWR	48794	SP106	_Fruehauf	46305	SS64462	_VICTOR	40040
N48796	_SLD PWR	48796	SP107	_Fruehauf	450751	SS64464	_VICTOR	31175
N48884	_SLD PWR	48884	SP108	_Fruehauf	1743**	SS64468	_VICTOR	48794
N50124	_SLD PWR	50124	SS46841	_VICTOR	42623	SS64471	_VICTOR	31244
N50190	_SLD PWR	50190	SS46841-1	_VICTOR	46390	SS64487	_VICTOR	28820
N52658	_SLD PWR	52658	SS468412	_VICTOR	43800	SS64491	_VICTOR	36365
N52660	_SLD PWR	52660	SS468413	_VICTOR	43800	SS64495	_VICTOR	39988
N52664	_SLD PWR	52664	SS46841-4	_VICTOR	42623	SS64495-1	_VICTOR	39988
N629	_SLD PWR	649	SS46842	_VICTOR	40136	SS64502	_VICTOR	31244
N700	_SLD PWR	700	SS46842-1	_VICTOR	40136	SS64511	_VICTOR	35060
N701	_SLD PWR	701	SS46842-4	_VICTOR	40136	SS64517	_VICTOR	43764
N702	_SLD PWR	702	SS46845	_VICTOR	40136	SS64530	_VICTOR	35066
N703	_SLD PWR	703	SS46847	_VICTOR	43752	SS64532	_VICTOR	27438
N704	_SLD PWR	704	SS46848	_VICTOR	42624	SS64534	_VICTOR	28832
N705	_SLD PWR	705	SS468481	_VICTOR	40136	SS64538	_VICTOR	34971
N706	_SLD PWR	706	SS468482	_VICTOR	42624	SS64538	_VICTOR	34972
N707	_SLD PWR	707	SS468483	_VICTOR	42624	SS64538	_VICTOR	34975
N708	_SLD PWR	708	SS46849	_VICTOR	48297	SS64539	_VICTOR	45103
N709	_SLD PWR	709	SS47781	_VICTOR	48884	SS64541	_VICTOR	31266
N710	_SLD PWR	710	SS47869	_VICTOR	43860	SS64541	_VICTOR	31281
N711	_SLD PWR	711	SS47878	_VICTOR	52658	SS64542	_VICTOR	45099
N712	_SLD PWR	712	SS47880SF	_VICTOR	34384•	SS64546	_VICTOR	47699
N713	_SLD PWR	713	SS47880SF	_VICTOR	34386	SS64553	_VICTOR	43865
N714	_SLD PWR	714	SS47880SF	_VICTOR	34387	SS64558	_VICTOR	34387
N715	_SLD PWR	715	SS47883	_VICTOR	38709	SS64558-1	_VICTOR	35000
N716	_SLD PWR	716	SS47885	_VICTOR	32470	SS64561	_VICTOR	31307
N717	_SLD PWR	717	SS47887	_VICTOR	36285	SS64561	_VICTOR	31323
N717152	_SLD PWR	717152	SS47889	_VICTOR	43860	SS64564	_VICTOR	31307
N717153	_SLD PWR	717153	SS47890	_VICTOR	47690	SS64564	_VICTOR	31323
N717154	_SLD PWR	717154	SS47891	_VICTOR	46305	SS64567	_VICTOR	42672
N717155	_SLD PWR	717155	SS47983	_VICTOR	28758	SS64569	_VICTOR	52658
N717156	_SLD PWR	717156	SS47983	_VICTOR	28759	SS64571	_VICTOR	50124
N717157	_SLD PWR	717157	SS48267	_VICTOR	45093	SS645821	_VICTOR	48690
N717158	_SLD PWR	717158	SS48267	_VICTOR	45097	SS64584	_VICTOR	38780
N717306	_SLD PWR	717306	SS64225	_VICTOR	35075	SS64589	_VICTOR	39380
N717307	_SLD PWR	717307	SS64225-2	_VICTOR	35075	SS64603	_VICTOR	47697
N718	_SLD PWR	718	SS64227	_VICTOR	36285	SS68001	_VICTOR	40129•
N719	_SLD PWR	719	SS642272	_VICTOR	35075	SS68001	_VICTOR	40133
N719021	_SLD PWR	719021	SS642273	_VICTOR	36285	SS68001	_VICTOR	40136
N720656	_SLD PWR	720656	SS64231	_VICTOR	39380	SS68002	_VICTOR	42627•
N720782	_SLD PWR	720782	SS642311	_VICTOR	36358	SS68002	_VICTOR	42622
N721	_SLD PWR	721	SS64232	_VICTOR	36274	SS68002	_VICTOR	42623
N722	_SLD PWR	722	SS64234	_VICTOR	39380	SS68003	_VICTOR	46300
N723	_SLD PWR	723	SS64234-1	_VICTOR	40086	SS68003	_VICTOR	46304
N724	_SLD PWR	724	SS64234-3	_VICTOR	39380	SS68003	_VICTOR	46305
N725	_SLD PWR	725	SS64236	_VICTOR	46305	SS68004	_VICTOR	1785
N726	_SLD PWR	726	SS64238	_VICTOR	48298	SS68004	_VICTOR	47690
N727	_SLD PWR	727	SS64238-2	_VICTOR	48884	SS68005	_VICTOR	42624
N728	_SLD PWR	728	SS64238-3	_VICTOR	48884	SS68006	_VICTOR	47698
N729	_SLD PWR	729	SS642401	_VICTOR	45162	SS68008	_VICTOR	46305
N-730	_SLD PWR	730	SS64240-2	_VICTOR	45162	T156885	_TROSTEL	31244
N-731	_SLD PWR	731	SS64240-3	_VICTOR	48796	T295	_Mopar	43860
N732	_SLD PWR	732	SS64410	_VICTOR	48297	T3119	_Chrysler	43865
N-733	_SLD PWR	733	SS64412	_VICTOR	35075	T3119	_Mopar	43865
NA930	_Payen	45163	SS64412-1	_VICTOR	36357	T3142	_Mopar	45099
NPV6953X8	_Fruehauf	42623	SS64412-1	_VICTOR	36365	T3148	_Chrysler	45160
OB27377	_Quality Running Gear	27438	SS644123	_VICTOR	35075	T3148	_Mopar	45160
OM56734SP01	_Fruehauf	42623	SS64414	_VICTOR	35066	T321450	_Hyster	44964
PRF43860	_Navistar (IHC)	43860	SS64415	_VICTOR	44922	T3242	_Mopar	47699
RM146-33	_Heil	50124	SS644151	_VICTOR	40040	T35070	_TROSTEL	50124
RM146A33	_Heil	50124	SS64437	_VICTOR	48792	T45034	_TROSTEL	36365
S10067	_STEFA	43860	SS644372	_VICTOR	48000	T5467	_TROSTEL	43860
S1246	_STEFA	42800	SS64439	_VICTOR	38709	T55200	_TROSTEL	44964
S4088	_STEFA	45099	SS64443	_VICTOR	42800	T553615	_TROSTEL	50124

For in-text symbols, see page 5A.

Competitor & manufacturer interchange

Mfr no.	Mfr.	Part no.	Mfr no.	Mfr.	Part no.	Mfr no.	Mfr.	Part no.
T5554	TROSTEL	47699	TR-1016	Mechanix/Barrier	46305	TR-9-RK-F	Mechanix/Barrier	43752
T55581	TROSTEL	38780	TR-1017	Mechanix/Barrier	46305	TR-9-RK-G	Mechanix/Barrier	43752
T6635	TROSTEL	42800	TR-1018	Mechanix/Barrier	46305	TR-9-RK-H	Mechanix/Barrier	43752
T6755	TROSTEL	45099	TR-1019	Mechanix/Barrier	40136	TR-9-RK-P	Mechanix/Barrier	43752
T7378	TROSTEL	47699	TR-1020	Mechanix/Barrier	40136	TRE-45-RK-B	Mechanix/Barrier	42623
TAJAA1175A	Ford	45160	TR-1021	Mechanix/Barrier	40136	TRE-45-RK-FN	Mechanix/Barrier	42623
TAJAA1175B	Ford	45160	TR-1022	Mechanix/Barrier	40136	TRE-47-RD-E	Mechanix/Barrier	40136
TAKAA1175A	Ford	48884	TR-1023	Mechanix/Barrier	40136	TRE-47-RK-D	Mechanix/Barrier	40136
TAKAA1175B	Ford	48884	TR-1024	Mechanix/Barrier	40136	TRE-47-RK-E1	Mechanix/Barrier	40136
TAKAA1190A	Ford	39380	TR-1025	Mechanix/Barrier	40136	TRE-47-RK-F	Mechanix/Barrier	40136
TDAA1175A	Ford	31307	TR-1026	Mechanix/Barrier	40136	TRE-47-RK-G	Mechanix/Barrier	40136
TDAA1175A	Ford	31323	TR-1027	Mechanix/Barrier	40136	TRE-47-RK-H	Mechanix/Barrier	40136
TDAA1175A1	Ford	31307	TR-1028	Mechanix/Barrier	40136	TRE-47-RK-J	Mechanix/Barrier	40136
TDAA1175A1	Ford	31323	TR-1029	Mechanix/Barrier	40136	TRE-47-RK-K	Mechanix/Barrier	40136
TDAA1175A3	Ford	31307	TR-1030	Mechanix/Barrier	40136	TRE-49-RK-D	Mechanix/Barrier	43752
TDAA1175A3	Ford	31323	TR-11-RK-B	Mechanix/Barrier	35075	TRE-49-RK-E1	Mechanix/Barrier	43752
TDAA1175B	Ford	31307	TR-11-RK-C	Mechanix/Barrier	35075	TRE-49-RK-F	Mechanix/Barrier	43752
TDAA1175B	Ford	31323	TR-11-RK-F	Mechanix/Barrier	35075	TRE-49-RK-G	Mechanix/Barrier	43752
TDAA1175C	Ford	31307	TR-11-RK-L	Mechanix/Barrier	35075	TRE-49-RK-H	Mechanix/Barrier	43752
TDAA1175C	Ford	31323	TR-11-RK-M	Mechanix/Barrier	35075	TRE-49-RK-P	Mechanix/Barrier	43752
TEAN1175C	Ford	34387	TR-11-RK-N	Mechanix/Barrier	35075	TRE-5045	Mechanix/Barrier	42623
TEAN1175D	Ford	34387	TR-11-RK-W	Mechanix/Barrier	35075	TRE-5047	Mechanix/Barrier	40136
TGAA1190A	Ford	28820	TR-11-RK-Z	Mechanix/Barrier	35075	TRE-5049	Mechanix/Barrier	43752
TKG07532	Fruehauf	1799**	TR-15-RK-D	Mechanix/Barrier	46305	TRE-5055	Mechanix/Barrier	46305
TKR847	TIMKEN SEALS	35058•	TR-15-RK-H	Mechanix/Barrier	46305	TRE-55-RK-D	Mechanix/Barrier	46305
TKR847	TIMKEN SEALS	35066	TR-19-RK-D	Mechanix/Barrier	40136	TRE-55-RK-H	Mechanix/Barrier	46305
TKR848	TIMKEN SEALS	38750	TR-19-RK-E	Mechanix/Barrier	40136	TUAA1175A	Ford	43860
TKR849	TIMKEN SEALS	38780	TR-19-RK-E1	Mechanix/Barrier	40136	TUAA1190A	Ford	35066
TKR850	TIMKEN SEALS	40129•	TR-19-RK-F	Mechanix/Barrier	40136	TUAY1190A	Ford	35066
TKR850	TIMKEN SEALS	40136	TR-19-RK-G	Mechanix/Barrier	40136	TWC32051	Fruehauf	46305
TKR851	TIMKEN SEALS	42627•	TR-19-RK-H	Mechanix/Barrier	40136	UNL30035	Fruehauf	42623
TKR851	TIMKEN SEALS	42623	TR19RK-J	Mechanix/Barrier	40136	UZ0301E0	NOK/FREUD	40136
TKR852	TIMKEN SEALS	42672	TR-19-RK-K	Mechanix/Barrier	40136	UZ0302E0	NOK/FREUD	42623
TKR852	TIMKEN SEALS	42673	TR-19-RK-O	Mechanix/Barrier	40136	UZ0303E0	NOK/FREUD	46305
TKR853	TIMKEN SEALS	43752	TR-19-RK-P	Mechanix/Barrier	40136	UZ0304E0	NOK/FREUD	47697
TKR853	TIMKEN SEALS	43754	TR-19-RK-Q	Mechanix/Barrier	40136	UZ0305E0	NOK/FREUD	35066
TKR854	TIMKEN SEALS	43860	TR-26-RK-J	Mechanix/Barrier	40136	UZ0306E0	NOK/FREUD	38780
TKR855	TIMKEN SEALS	44916	TR-2-RK-B	Mechanix/Barrier	36274	UZ0307E0	NOK/FREUD	45160
TKR855	TIMKEN SEALS	44922	TR-3-RK-B	Mechanix/Barrier	46390	UZ0308E0	NOK/FREUD	48000
TKR856	TIMKEN SEALS	45093	TR-4-RK-B	Mechanix/Barrier	42623	UZ0774-E1	NOK/FREUD	34384•
TKR856	TIMKEN SEALS	45099	TR-5049	Mechanix/Barrier	43752	UZ0774-E1	NOK/FREUD	34386
TKR857	TIMKEN SEALS	45095	TR-5-RK-FN	Mechanix/Barrier	42623	UZ0847E	NOK/FREUD	35058•
TKR857	TIMKEN SEALS	45103	TR-6-RK-B	Mechanix/Barrier	35075	UZ0847E	NOK/FREUD	35066
TKR858	TIMKEN SEALS	45157	TR-6-RK-C	Mechanix/Barrier	35075	UZ0847E	NOK/FREUD	35103
TKR858	TIMKEN SEALS	45160	TR-6-RK-F	Mechanix/Barrier	35075	UZ0848E	NOK/FREUD	38750
TKR859	TIMKEN SEALS	46300	TR-6-RK-L	Mechanix/Barrier	35075	UZ0849E	NOK/FREUD	38776•
TKR859	TIMKEN SEALS	46305	TR-6-RK-M	Mechanix/Barrier	35075	UZ0849E	NOK/FREUD	38780
TKR860	TIMKEN SEALS	48000	TR-6-RK-N	Mechanix/Barrier	35075	UZ0850E	NOK/FREUD	40129•
TKR860	TIMKEN SEALS	48002	TR-6-RK-W	Mechanix/Barrier	35075	UZ0850E	NOK/FREUD	40136
TKR861	TIMKEN SEALS	47692•	TR-6-RK-Z	Mechanix/Barrier	35075	UZ0851E	NOK/FREUD	42627•
TKR861	TIMKEN SEALS	47697	TR-7-RK-D	Mechanix/Barrier	40136	UZ0851E	NOK/FREUD	42623
TKR863	TIMKEN SEALS	43761•	TR-7-RK-E	Mechanix/Barrier	40136	UZ0851E	NOK/FREUD	42631
TKR863	TIMKEN SEALS	43764	TR-7-RK-E1	Mechanix/Barrier	40136	UZ0852E	NOK/FREUD	42672
TR-1002	Mechanix/Barrier	36274	TR-7-RK-F	Mechanix/Barrier	40136	UZ0852E	NOK/FREUD	42673
TR-1003	Mechanix/Barrier	46390	TR-7-RK-G	Mechanix/Barrier	40136	UZ0853E	NOK/FREUD	43752
TR-1004	Mechanix/Barrier	42623	TR-7-RK-H	Mechanix/Barrier	40136	UZ0853E	NOK/FREUD	43754
TR-1005	Mechanix/Barrier	42623	TR-7-RK-J	Mechanix/Barrier	40136	UZ0854E	NOK/FREUD	43860
TR-1006	Mechanix/Barrier	35075	TR-7-RK-K	Mechanix/Barrier	40136	UZ0855E	NOK/FREUD	44916
TR-1007	Mechanix/Barrier	40136	TR-7-RK-O	Mechanix/Barrier	40136	UZ0855E	NOK/FREUD	44922
TR-1008	Mechanix/Barrier	42624	TR-7-RK-P	Mechanix/Barrier	40136	UZ0856E	NOK/FREUD	45093
TR-1009	Mechanix/Barrier	43752	TR-7-RK-Q	Mechanix/Barrier	40136	UZ0856E	NOK/FREUD	45099
TR-1011	Mechanix/Barrier	35075	TR-8-RK-F	Mechanix/Barrier	42624	UZ0857E	NOK/FREUD	45095
TR-1012	Mechanix/Barrier	35075	TR-8-RK-Q1	Mechanix/Barrier	42624	UZ0857E	NOK/FREUD	45103
TR-1013	Mechanix/Barrier	35075	TR-8-RK-R	Mechanix/Barrier	42624	UZ0858E	NOK/FREUD	45157
TR-1014	Mechanix/Barrier	35075	TR-9-RK-D	Mechanix/Barrier	43752	UZ0858E	NOK/FREUD	45160
TR-1015	Mechanix/Barrier	46305	TR-9-RK-E1	Mechanix/Barrier	43752	UZ0859E	NOK/FREUD	46300

For in-text symbols, see page 5A.

Competitor & manufacturer interchange

Mfr no.	Mfr.	Part no.	Mfr no.	Mfr.	Part no.	Mfr no.	Mfr.	Part no.
UZ0859E	_NOK/FREUD	46305	HU-028A	_FM SEAL & BRG	1715**	M10HH142	_Dana-Spicer Corp.	
UZ0859E	_NOK/FREUD	46306	HU-028A	_TIMKEN SEALS	1715**	(Churabusco)		46300
UZ0860E	_NOK/FREUD	48000	HU-031A	_FM SEAL & BRG	1768**	M10HH142	_Dana-Spicer Corp.	
UZ0860E	_NOK/FREUD	48002	HU-031A	_TIMKEN SEALS	1768**	(Churabusco)		46304
UZ0861E	_NOK/FREUD	47692*	HU-034A	_FM SEAL & BRG	1670*	M10HH142	_SPICER	46300
UZ0861E	_NOK/FREUD	47691	HU-034A	_FM SEAL & BRG	1770**	M10HH142	_SPICER	46304
UZ0861E	_NOK/FREUD	47693	HU-034A	_TIMKEN SEALS	1670*	M10HH143	_Dana-Spicer Corp.	
UZ0861E	_NOK/FREUD	47697	HU-034A	_TIMKEN SEALS	1770**	(Churabusco)		40136
UZ0863E	_NOK/FREUD	43761*	HU-036A	_FM SEAL & BRG	1702**	M10HH152	_Dana-Spicer Corp.	
UZ0863E	_NOK/FREUD	43764	HU-036A	_TIMKEN SEALS	1702**	(Churabusco)		42623
UZ0847E	_Freightliner	35066	HU-037A	_FM SEAL & BRG	1764**	M10HH169	_Dana-Spicer Corp.	
V116160	_Volvo/GMC/White Truck	1743**	HU-037A	_TIMKEN SEALS	1764**	(Churabusco)		46300
V1593459	_Volvo/GMC/White Truck	39426	HU039A	_FM SEAL & BRG	1782	M10HH169	_Hendrickson	46300
W02HH100	_Dana-Spicer Corp.		HU039A	_TIMKEN SEALS	1782	M10HK100	_Dana-Spicer Corp.	
(Churabusco)		28758	HU-042A	_FM SEAL & BRG	1665*	(Churabusco)		1743**
W02HH100	_Dana-Spicer Corp.		HU-042A	_FM SEAL & BRG	1765**	M10HK121	_Dana-Spicer Corp.	
(Churabusco)		28759	HU-042A	_TIMKEN SEALS	1665*	(Churabusco)		1711**
W02HH10090	_Dana-Spicer Corp.		HU-042A	_TIMKEN SEALS	1765**	M10HK124	_Dana-Spicer Corp.	
(Churabusco)		28758	HU-044A	_FM SEAL & BRG	1713	(Churabusco)		1743**
W02HH10090	_Dana-Spicer Corp.		HU-044A	_TIMKEN SEALS	1713	M10HK127	_Dana-Spicer Corp.	
(Churabusco)		28759	HU-046A	_FM SEAL & BRG	1643*	(Churabusco)		1720**
W04HH100	_Dana-Spicer Corp.		HU-046A	_FM SEAL & BRG	1743**	M10HK129	_Dana-Spicer Corp.	
(Churabusco)		43764	HU-046A	_TIMKEN SEALS	1643*	(Churabusco)		1640*
W04HH10090	_Dana-Spicer Corp.		HU-046A	_TIMKEN SEALS	1743**	M10HK130	_Dana-Spicer Corp.	
(Churabusco)		43764	HU-057A	_FM SEAL & BRG	1754**	(Churabusco)		1741**
W20HH100	_Navistar (IHC)	35000	HU-057A	_TIMKEN SEALS	1754**	M10HK162	_Dana-Spicer Corp.	
W20HH10090	_Dana-Spicer Corp.		HU-058A	_FM SEAL & BRG	1705**	(Churabusco)		1682*
(Churabusco)		35000	HU-058A	_TIMKEN SEALS	1705**	M10HK171	_SPICER	1643*
W22HH102	_Dana-Spicer Corp.		HU-066A	_FM SEAL & BRG	1623*	M10HK171	_SPICER	1743**
(Churabusco)		47697	HU-066A	_FM SEAL & BRG	1723**	M10HK181	_SPICER	1720**
W22HH10290	_Dana-Spicer Corp.		HU-066A	_TIMKEN SEALS	1623*	M10HK182	_Dana-Spicer Corp.	
(Churabusco)		47697	HU-066A	_TIMKEN SEALS	1723**	(Churabusco)		1643*
W597	_Shuler	1743**	HU070A	_FM SEAL & BRG	1724	M10HK194	_Dana-Spicer Corp.	
Y698028	_White Truck	38780	HU070A	_TIMKEN SEALS	1724	(Churabusco)		1343+
Y714702	_White Truck	40136	HU075A	_FM SEAL & BRG	1282^	M4478	_REO	38709
YCH0083X4	_Fruehauf	42623	HU-0A	_FM SEAL & BRG	1705**	M560804	_White Truck	36285
YDH0449X49	_Fruehauf	1743**	HU-0A	_TIMKEN SEALS	1705**	M560805	_White Truck	455035
YHC002028	_Fruehauf	1733**	HU-110A	_FM SEAL & BRG	1643*	M563986	_White Truck	38780
YHC025616	_Fruehauf	42623	HU-110A	_FM SEAL & BRG	1743**	MCG010714	_Fruehauf	46305
YJE009371	_Fruehauf	42627*	HU-110A	_TIMKEN SEALS	1643*	MCG010911	_Fruehauf	42627*
YJE009371	_Fruehauf	42622	HU-110A	_TIMKEN SEALS	1743**	MCG010911	_Fruehauf	42622
HU-005A	_FM SEAL & BRG	1789**	HU-149A	_FM SEAL & BRG	1613*	MHG177	_Rockwell Standard	40136
HU-005A	_TIMKEN SEALS	1789**	HU-149A	_FM SEAL & BRG	1703**	MHG205	_Rockwell Standard	40139
HU-007A	_FM SEAL & BRG	1732	HU-149A	_TIMKEN SEALS	1613*	MHG221	_Rockwell Standard	43752
HU-007A	_TIMKEN SEALS	1732	HU-149A	_TIMKEN SEALS	1703**	MHG238	_Rockwell Standard	43752
HU-009A	_FM SEAL & BRG	1643*	ICG9424	_Autocar	36285	MHG239	_Rockwell Standard	43752
HU-009A	_FM SEAL & BRG	1743**	K134-171	_Kenworth	450981	MHG240	_Rockwell Standard	43752
HU-009A	_TIMKEN SEALS	1643*	L3541X	_Massey-Ferguson	50124	MHG241	_Rockwell Standard	40136
HU-009A	_TIMKEN SEALS	1743**	M10HH101	_Dana-Spicer Corp.		MHG242	_Rockwell Standard	43752
HU-011A	_FM SEAL & BRG	1738**	(Churabusco)		40136	MHG243	_Rockwell Standard	46305
HU-011A	_TIMKEN SEALS	1738**	M10HH102	_Dana-Spicer Corp.		MHG246	_Rockwell Standard	46305
HU-012A	_FM SEAL & BRG	1736**	(Churabusco)		46305	MHG255	_Rockwell Standard	39380
HU-012A	_TIMKEN SEALS	1736**	M10HH103	_Dana-Spicer Corp.		MHG257	_Rockwell Standard	46305
HU-013A	_FM SEAL & BRG	1642*	(Churabusco)		35075	MHG265	_Rockwell Standard	48297
HU-013A	_FM SEAL & BRG	1742**	M10HH1032	_Dana-Spicer Corp.		MHG283	_Rockwell Standard	42623
HU-013A	_TIMKEN SEALS	1642*	(Churabusco)		35075	MHG284	_Rockwell Standard	46305
HU-013A	_TIMKEN SEALS	1742**	M10HH107X	_Dana-Spicer Corp.		MST-0-66534	_Fruehauf	1282^
HU-014A	_FM SEAL & BRG	1729	(Churabusco)		46305	MST0-66719	_Fruehauf	42672
HU-014A	_TIMKEN SEALS	1729	M10HH114	_Dana-Spicer Corp.		MST-3-66534	_Fruehauf	1282^
HU-019A	_FM SEAL & BRG	1627*	(Churabusco)		40136	MST366719	_Fruehauf	42672
HU-019A	_FM SEAL & BRG	1727**	M10HH119	_Dana-Spicer Corp.		MT2P1471	_Mack	34384*
HU-019A	_TIMKEN SEALS	1627*	(Churabusco)		45162	N1282	_SLD PWR	1282^
HU-019A	_TIMKEN SEALS	1727**	M10HH125	_Dana-Spicer Corp.		N1283	_SLD PWR	1283^
HU-024A	_FM SEAL & BRG	1612*	(Churabusco)		42624	N1343	_SLD PWR	1343+
HU-024A	_FM SEAL & BRG	1711**	M10HH137	_SPICER	46305	N1382	_SLD PWR	1382+
HU-024A	_TIMKEN SEALS	1711**				N1606	_SLD PWR	1606

For in-text symbols, see page 5A.

Competitor & manufacturer interchange

Mfr no.	Mfr.	Part no.	Mfr no.	Mfr.	Part no.	Mfr no.	Mfr.	Part no.
N1643	_SLD PWR	1643*	N1788	_SLD PWR	1788**	N-35820	_SLD PWR	35820
N1702	_SLD PWR	1702**	N1789	_SLD PWR	1789**	N359	_SLD PWR	359
N1703	_SLD PWR	1613*	N1790	_SLD PWR	1691*	N360	_SLD PWR	360
N1703	_SLD PWR	1703**	N1790	_SLD PWR	1790**	N361	_SLD PWR	361
N1704	_SLD PWR	1704**	N1796	_SLD PWR	1696*	N362	_SLD PWR	362
N1705	_SLD PWR	1705**	N1796	_SLD PWR	1796**	N36274	_SLD PWR	36274
N1707	_SLD PWR	1707	N1797	_SLD PWR	1797	N36285	_SLD PWR	36285
N1709	_SLD PWR	1709	N1798	_SLD PWR	1698*	N363	_SLD PWR	363
N1711	_SLD PWR	1612*	N1798	_SLD PWR	1798**	N-36357	_SLD PWR	36357
N1711	_SLD PWR	1711**	N1799	_SLD PWR	1799**	N-36358	_SLD PWR	36358
N1713	_SLD PWR	1713	N1903	_SLD PWR	1613*	N36365	_SLD PWR	36365
N1715	_SLD PWR	1715**	N1903	_SLD PWR	1703**	N364	_SLD PWR	364
N1719	_SLD PWR	1719	N1911	_SLD PWR	1612*	N365	_SLD PWR	365
N1720	_SLD PWR	1720**	N1911	_SLD PWR	1711**	N380	_SLD PWR	380
N1721	_SLD PWR	1721	N1923	_SLD PWR	1623*	N381	_SLD PWR	381
N1723	_SLD PWR	1623*	N1923	_SLD PWR	1723**	N382	_SLD PWR	358
N1723	_SLD PWR	1723**	N1927	_SLD PWR	1627*	N383	_SLD PWR	383
N1724	_SLD PWR	1724	N1927	_SLD PWR	1727**	N384	_SLD PWR	384
N1727	_SLD PWR	1627*	N1942	_SLD PWR	1642*	N385	_SLD PWR	385
N1727	_SLD PWR	1727**	N1942	_SLD PWR	1742**	N386	_SLD PWR	386
N1728	_SLD PWR	1728	N1943	_SLD PWR	1643*	N387	_SLD PWR	387
N1729	_SLD PWR	1729	N1943	_SLD PWR	1743**	N38709	_SLD PWR	38709
N1730	_SLD PWR	1730	N1965	_SLD PWR	1665*	N-38736	_SLD PWR	38736
N1732	_SLD PWR	1732	N1965	_SLD PWR	1765**	N38747	_SLD PWR	38747
N1733	_SLD PWR	1733**	N1981	_SLD PWR	1781**	N38748	_SLD PWR	38748
N1734	_SLD PWR	1734	N1984	_SLD PWR	1784	N38750	_SLD PWR	38750
N1736	_SLD PWR	1736**	N1987	_SLD PWR	1787**	N-38779	_SLD PWR	38776•
N1737	_SLD PWR	1737**	N1990	_SLD PWR	1691*	N-38779	_SLD PWR	38779
N1738	_SLD PWR	1738**	N1990	_SLD PWR	1790**	N38780	_SLD PWR	38780
N1739	_SLD PWR	1577	N27438	_SLD PWR	27438	N388	_SLD PWR	388
N1740	_SLD PWR	1740	N28758	_SLD PWR	28758	N389	_SLD PWR	389
N1741	_SLD PWR	1741**	N28758	_SLD PWR	28759	N390	_SLD PWR	390
N1742	_SLD PWR	1642*	N28820	_SLD PWR	28820	N-391	_SLD PWR	391
N1742	_SLD PWR	1742**	N28832	_SLD PWR	28832	N-392	_SLD PWR	392
N1743	_SLD PWR	1643*	N31175	_SLD PWR	31175	N39380	_SLD PWR	39380
N1743	_SLD PWR	1743**	N31244	_SLD PWR	31244	N39420	_SLD PWR	39420
N1744	_SLD PWR	1744**	N31264	_SLD PWR	31264	N39425	_SLD PWR	39425
N1745	_SLD PWR	1745	N31266	_SLD PWR	31266	N39426	_SLD PWR	39426
N1750	_SLD PWR	1750**	N31281	_SLD PWR	31281	N-39977	_SLD PWR	39977
N1751	_SLD PWR	1751**	N31307	_SLD PWR	31307	N-39977	_SLD PWR	39979
N1752	_SLD PWR	1752**	N31307	_SLD PWR	31323	N39988	_SLD PWR	39988
N1753	_SLD PWR	1753**	N32470	_SLD PWR	32470	N40040	_SLD PWR	40040
N1754	_SLD PWR	1754**	N332	_SLD PWR	332	N40085	_SLD PWR	40086
N1755	_SLD PWR	1577	N-34386	_SLD PWR	34384•	N40086	_SLD PWR	40086
N1756	_SLD PWR	1578	N-34386	_SLD PWR	34386	N-40088	_SLD PWR	40088
N1757	_SLD PWR	1757	N34387	_SLD PWR	34387	N-40133	_SLD PWR	40129•
N1758	_SLD PWR	1782	N-34972	_SLD PWR	34971	N-40133	_SLD PWR	40133
N1760	_SLD PWR	1760**	N-34972	_SLD PWR	34972	N40134	_SLD PWR	40136
N1762	_SLD PWR	1576	N34975	_SLD PWR	34975	N40135	_SLD PWR	40139
N1764	_SLD PWR	1764**	N34999	_SLD PWR	34994	N40136	_SLD PWR	40136
N1765	_SLD PWR	1665*	N34999	_SLD PWR	34999	N40139	_SLD PWR	40139
N1765	_SLD PWR	1765**	N35000	_SLD PWR	35000	N42550	_SLD PWR	42550
N1767	_SLD PWR	450237	N-35059	_SLD PWR	35058•	N-42622	_SLD PWR	42627•
N1768	_SLD PWR	1768**	N-35059	_SLD PWR	35059	N-42622	_SLD PWR	42622
N1769	_SLD PWR	1769**	N35060	_SLD PWR	35060	N42623	_SLD PWR	42623
N1770	_SLD PWR	1670*	N35066	_SLD PWR	35066	N42624	_SLD PWR	42624
N1770	_SLD PWR	1770**	N35072	_SLD PWR	35072	N42625	_SLD PWR	42625
N1771	_SLD PWR	1771**	N35075	_SLD PWR	35075	N-42671	_SLD PWR	42671
N1781	_SLD PWR	1781**	N351	_SLD PWR	351	N-42671	_SLD PWR	42673
N1782	_SLD PWR	1782	N35102	_SLD PWR	35102	N42672	_SLD PWR	42672
N1783	_SLD PWR	1643*	N352	_SLD PWR	352	N427	_SLD PWR	427
N1783	_SLD PWR	1743**	N353	_SLD PWR	353	N428	_SLD PWR	428
N1784	_SLD PWR	1784	N354	_SLD PWR	354	N42800	_SLD PWR	42800
N1785	_SLD PWR	1785	N356	_SLD PWR	356	N429	_SLD PWR	429
N1786	_SLD PWR	1786	N357	_SLD PWR	357	N-435	_SLD PWR	435
N1787	_SLD PWR	1787**	N358	_SLD PWR	358	N-436	_SLD PWR	436

For in-text symbols, see page 5A.

Competitor & manufacturer interchange

Mfr no.	Mfr.	Part no.	Mfr no.	Mfr.	Part no.	Mfr no.	Mfr.	Part no.
N43752	_SLD PWR	43752	N450498	_SLD PWR	450752	N450779	_SLD PWR	450876
N-43753	_SLD PWR	43753	N450499	_SLD PWR	450741	N450780	_SLD PWR	450780
N-43753	_SLD PWR	43754	N450505	_SLD PWR	450319	N450781	_SLD PWR	450781
N-43763	_SLD PWR	43761*	N450535	_SLD PWR	450608	N450782	_SLD PWR	450782
N-43763	_SLD PWR	43763	N450536	_SLD PWR	450536	N450783	_SLD PWR	1613*
N43764	_SLD PWR	43764	N450537	_SLD PWR	450537	N450788	_SLD PWR	450788
N43795	_SLD PWR	42800	N450550	_SLD PWR	1769**	N450799	_SLD PWR	450799
N43800	_SLD PWR	43800	N450556	_SLD PWR	450475	N450802	_SLD PWR	450802
N43860	_SLD PWR	43860	N450557	_SLD PWR	450743	N450804	_SLD PWR	1796**
N-43861	_SLD PWR	43861	N450564	_SLD PWR	450475	N450805	_SLD PWR	450740
N43865	_SLD PWR	43865	N450565	_SLD PWR	450743	N450806	_SLD PWR	1788**
N43875	_SLD PWR	43875	N450566	_SLD PWR	450566	N450807	_SLD PWR	450475
N441	_SLD PWR	441	N450584	_SLD PWR	450754	N450874	_SLD PWR	450874
N445	_SLD PWR	445	N450587	_SLD PWR	1612*	N450875	_SLD PWR	450875
N446	_SLD PWR	446	N450590	_SLD PWR	1789**	N450876	_SLD PWR	450876
N448	_SLD PWR	448	N450593	_SLD PWR	450751	N450877	_SLD PWR	450877
N449	_SLD PWR	449	N450596	_SLD PWR	450596	N450878	_SLD PWR	450878
N-44919	_SLD PWR	44916	N450599	_SLD PWR	40135	N450879	_SLD PWR	450879
N-44919	_SLD PWR	44919	N450602	_SLD PWR	450319	N-45097	_SLD PWR	45093
N44922	_SLD PWR	44922	N450605	_SLD PWR	450176	N-45097	_SLD PWR	45097
N44924	_SLD PWR	44922	N450606	_SLD PWR	455004	N450980	_SLD PWR	450980
N44963	_SLD PWR	44963	N450607	_SLD PWR	1769**	N450981	_SLD PWR	450981
N44964	_SLD PWR	44964	N450608	_SLD PWR	450608	N450982	_SLD PWR	450982
N450023	_SLD PWR	450023	N450614	_SLD PWR	455004	N450983	_SLD PWR	450983
N450024	_SLD PWR	450024	N450615	_SLD PWR	1769**	N450984	_SLD PWR	450984
N45010	_SLD PWR	45010	N450617	_SLD PWR	450617	N450985	_SLD PWR	450985
N450155	_SLD PWR	450155	N450737	_SLD PWR	450737	N45099	_SLD PWR	45099
N450158	_SLD PWR	450158	N450740	_SLD PWR	450740	N451	_SLD PWR	451
N450166	_SLD PWR	450166	N450741	_SLD PWR	450741	N45100	_SLD PWR	45100
N450176	_SLD PWR	450176	N450742	_SLD PWR	450742	N-45102	_SLD PWR	45095
N450189	_SLD PWR	450189	N450743	_SLD PWR	450743	N-45102	_SLD PWR	45102
N450194	_SLD PWR	450194	N450744	_SLD PWR	450744	N45103	_SLD PWR	45103
N450208	_SLD PWR	450208	N450745	_SLD PWR	1798**	N45105	_SLD PWR	45103
N450236	_SLD PWR	450236	N450746	_SLD PWR	450754	N45152	_SLD PWR	45152
N450237	_SLD PWR	450237	N450747	_SLD PWR	450747	N-45158	_SLD PWR	45158
N450239	_SLD PWR	450239	N450748	_SLD PWR	450748	N45160	_SLD PWR	45160
N450249	_SLD PWR	450249	N450749	_SLD PWR	450749	N45162	_SLD PWR	45162
N450293	_SLD PWR	450293	N450750	_SLD PWR	450475	N45163	_SLD PWR	45163
N450299	_SLD PWR	1789**	N450751	_SLD PWR	450751	N452	_SLD PWR	452
N450302	_SLD PWR	450302	N450752	_SLD PWR	450752	N453	_SLD PWR	453
N450310	_SLD PWR	450310	N450753	_SLD PWR	1798**	N453644	_SLD PWR	450788
N450319	_SLD PWR	450319	N450754	_SLD PWR	450754	N453645	_SLD PWR	450741
N450409	_SLD PWR	450409	N450755	_SLD PWR	450755	N453646	_SLD PWR	453646
N450421	_SLD PWR	450421	N450756	_SLD PWR	450756	N453674	_SLD PWR	453674
N450430	_SLD PWR	450155	N450757	_SLD PWR	450757	N455001	_SLD PWR	455001
N450431	_SLD PWR	450431	N450758	_SLD PWR	450758	N455002	_SLD PWR	455002
N450434	_SLD PWR	450434	N450759	_SLD PWR	450759	N455003	_SLD PWR	455003
N450447	_SLD PWR	450447	N450760	_SLD PWR	450760	N455004	_SLD PWR	455004
N450454	_SLD PWR	450608	N450761	_SLD PWR	1798**	N455005	_SLD PWR	455005
N450456	_SLD PWR	1796**	N450762	_SLD PWR	450762	N455006	_SLD PWR	455006
N450458	_SLD PWR	1788**	N450763	_SLD PWR	40040	N455007	_SLD PWR	455007
N450460	_SLD PWR	455004	N450764	_SLD PWR	1799**	N455008	_SLD PWR	455008
N450464	_SLD PWR	1796**	N450765	_SLD PWR	450765	N455009	_SLD PWR	455009
N450466	_SLD PWR	1788**	N450766	_SLD PWR	450766	N455010	_SLD PWR	455010
N450468	_SLD PWR	450743	N450767	_SLD PWR	450767	N455011	_SLD PWR	455011
N450470	_SLD PWR	450608	N450768	_SLD PWR	450768	N455012	_SLD PWR	455012
N450471	_SLD PWR	1787**	N450769	_SLD PWR	450769	N455014	_SLD PWR	455014
N450475	_SLD PWR	450475	N450770	_SLD PWR	450754	N455015	_SLD PWR	455015
N450477	_SLD PWR	1789**	N450771	_SLD PWR	450771	N455018	_SLD PWR	1788**
N450478	_SLD PWR	1798**	N450772	_SLD PWR	450772	N455019	_SLD PWR	455019
N450482	_SLD PWR	1788**	N450773	_SLD PWR	1612*	N455023	_SLD PWR	455023
N450488	_SLD PWR	40040	N450774	_SLD PWR	450596	N455024	_SLD PWR	455024
N450489	_SLD PWR	1799**	N450775	_SLD PWR	450775	N455026	_SLD PWR	455026
N450490	_SLD PWR	1788**	N450776	_SLD PWR	40134	N455030	_SLD PWR	455030
N450495	_SLD PWR	450754	N450777	_SLD PWR	450777	N455031	_SLD PWR	455031
N450496	_SLD PWR	450496	N450778	_SLD PWR	450778	N455033	_SLD PWR	455033

For in-text symbols, see page 5A.

Competitor & manufacturer interchange

Mfr no.	Mfr.	Part no.	Mfr no.	Mfr.	Part no.	Mfr no.	Mfr.	Part no.
N455034	_SLD PWR455034						
N455035	_SLD PWR455035						
N455036	_SLD PWR455036						
N455037	_SLD PWR455037						
N455050	_SLD PWR455050						
N455052	_SLD PWR455052						
N-455054	_SLD PWR455054						
N456144	_SLD PWR456144						
N456301	_SLD PWR456301						
N-457	_SLD PWR457						
N-461	_SLD PWR461						
N-462	_SLD PWR462						
N463	_SLD PWR463						
N-46304	_SLD PWR46300						
N-46304	_SLD PWR46304						
N46305	_SLD PWR46305						
N46306	_SLD PWR46306						

For in-text symbols, see page 5A.



WARNING!

Proper selection of the products listed for sale in this catalog is essential to minimize the risk of any seal, bearing or other product failure. Such failures can result in property damage or severe personal injury to operators of machinery, vehicles or to others. You must carefully evaluate the particular application on or into which you intend to install the products. Products in this catalog require installation by an experienced professional mechanic or qualified maintenance professional.

The product properties and operating parameters described in this catalog are based upon tests conducted by SKF or reported by others. SKF does not assume any responsibility for errors in the data published in this catalog. The life and performance of the products ultimately depend on a number of factors. These include, for example, selection of product design type, selection of materials for their different properties, handling and installation, operating conditions, including shaft surface or bore conditions, the quantity, quality and chemistry of lubricants and other factors. Severe environments can adversely affect product life or performance. For help in realizing longer SKF product life, and optimal performance for your specific application, contact SKF's Customer Services Department at 1-800-882-0008.

LIMITED WARRANTY

SKF warrants to the first purchaser that the products sold by it, when properly installed, will be free from defects in material and workmanship. SKF's sole obligation and liability for any defect found to exist contrary to this limited warranty in a product sold by SKF, and purchaser's sole and exclusive remedy for such defect, shall be limited to: (A) SKF furnishing without additional charge to purchaser, including transportation, a replacement for any of the products sold by SKF which are found by SKF to be defective contrary to this limited warranty, and (B) in the case of products which cannot be repaired or replaced by SKF, SKF shall credit or refund to purchaser the purchase price paid therefore; provided, that SKF is advised in writing of such product non-conformance within thirty (30) days of the date of discovery thereof, and that the non-conforming product is returned f.o.b. to SKF's designated warehouse promptly thereafter, but in any case not later than twelve (12) months from the date of purchase, and only for light duty hub units: the first to occur of either (i) thirty-six (36) months from the date of purchase, or (ii) 45,000 miles (72,000 kilometers). Valid proof of purchase date/mileage required. In no event shall SKF be obligated under this limited warranty or otherwise in any way whatsoever for normal wear and tear, or for any products sold by SKF which, after delivery by SKF and in SKF's sole determination, have been subjected to accident, abuse, misapplication, improper or faulty repair or installation, improper or faulty maintenance or lubrication, any alteration or neglect, excessive loading or other excessive operating conditions, or for defects caused by or resulting from purchaser's specifications or designs or otherwise caused by purchaser. **TO THE FURTHEST EXTENT PERMITTED UNDER APPLICABLE LAW, SKF DISCLAIMS LIABILITY, IN TORT OR CONTRACT, IN NEGLIGENCE, STRICT LIABILITY, OR OTHERWISE, FOR ANY OTHER REMEDY OR DAMAGE, WHETHER DIRECT OR INDIRECT, INCIDENTAL, SPECIAL, EXEMPLARY, OR CONSEQUENTIAL WITH RESPECT TO ITS PERFORMANCE HEREUNDER, INCLUDING WITHOUT LIMITATION THE PRODUCTS SOLD OR PROVIDED HEREUNDER BY SKF, AND ITS PROVISION OF ANY RELATED SERVICES. THIS LIMITED WARRANTY IS TO THE EXCLUSION OF ALL OTHER WARRANTIES, EXPRESS OR IMPLIED, INCLUDING WARRANTIES OF MERCHANTABILITY OR FITNESS FOR A PARTICULAR PURPOSE. COSTS INCURRED FOR ROUTINE MAINTENANCE ARE NOT COVERED BY THIS LIMITED WARRANTY.** Without limiting the generality of the foregoing, SKF specifically disclaims liability to purchaser for any loss, cost, or damage incurred as a result of equipment downtime, or loss of use or availability of worksite, lost revenues or lost profits, regardless of whether SKF is on notice of the possibility of such damage or loss and did or could have anticipated same. No other person has been authorized by SKF to undertake or make on behalf of SKF any further representation, warranty or guarantee in addition to or contrary to this limited warranty or contrary to the limitations and disclaimers provided herein. The exclusive remedies provided in this limited warranty shall not be deemed to have failed of their essential purpose so long as SKF is willing and able to perform to the extent and in the manner prescribed in this limited warranty.

SOME STATES OR PROVINCES DO NOT ALLOW THE EXCLUSION OR LIMITATION OF INCIDENTAL OR CONSEQUENTIAL DAMAGES OR CERTAIN LIMITATIONS REGARDING WARRANTY RIGHTS, SO THE ABOVE EXCLUSIONS OR LIMITATIONS MAY NOT APPLY TO YOU. This limited warranty gives you specific legal rights, and you may also have other rights, which vary by state or province.

INFORMATION AND RETURNS: This catalog refers to products as designed prior to its publication, and does not cover product changes made after its publication date. Inquiries can be directed to: SKF Customer Service Department, 890 North State Street, Suite 200, Elgin, IL 60123, or call 1-800-882-0008. Any error in shipment (for over-shipments in the quantity of product or for product not matching purchaser's description given in its order) is returnable for credit or replacement by SKF, provided that SKF is advised in writing by purchaser of such non-conformance within 30 days after the product's delivery to purchaser, and only after written authorization therefore is given by SKF. Approved returns must be shipped freight prepaid and arrive in good, saleable condition to qualify for credit or replacement. SKF shall not otherwise be obligated to accept the return of any products sold or distributed by it.

NOTICE: The SKF part numbering systems for the SKF products are proprietary to SKF. Any improper or unauthorized use of these numbering systems, including adoption or use of any of their part numbers or part number lists, even where the subject of modification or addition, is strictly prohibited and will be prosecuted by SKF as a violation of U.S. and foreign copyright, trademark and unfair competition laws. In addition, use of any SKF trademarks, trade names or packaging schemes, systems, colors or designs is likewise considered a violation of the trademarks, trade names and trade identities rights of SKF USA Inc. and their affiliates. Possible violation of such use should be brought to the attention of SKF: SKF USA Inc., 890 North State Street, Suite 200, Elgin, Illinois 60123, Attn: Catalog Manager.



The Power of Knowledge Engineering

SKF is your source for a wide range of products covering various industries. From automotive to heavy duty to industrial applications, SKF offers a solution to keep your machines operating and your business profitable.

www.vsm.skf.com

Download literature, access technical tips and view product information

For catalog related questions, please email:
vsm.updates@skf.com



View detailed technical and product videos at www.skfpartsinfo.tv



Follow us on Twitter [@skfpartsinfo](https://twitter.com/skfpartsinfo) to stay on top of all the latest technical and product information.



Mobile parts look up

Access our mobile parts look up website for all the latest part numbers at www.skfpartsinfo.com



SKF Parts Info Apps

Download SKF apps for access to product information, cross reference, instruction sheets, application data and brochures.

® SKF is a registered trademark of the SKF Group

® Scotseal, Trouble-Free Operation, TFO, TF, Bore-Tite and Waveseal are registered trademarks of the SKF Group

© SKF Group 2015

The contents of this publication are the copyright of the publisher and may not be reproduced (even extracts) unless permission is granted. Every care has been taken to ensure the accuracy of the information contained in this publication but no liability can be accepted for any loss or damage whether direct, indirect or consequential arising out of the use of the information contained herein.

Publication 457601

Printed in U.S.A.

SKF VSM NA
890 N. State Street
Suite 200
Elgin, IL 60123
800-882-0008
www.skfpartsinfo.com